

THIS COPY IS PROVIDED ON A RESTRICTED BASIS AND IS NOT TO BE USED IN ANY WAY DETRIMENTAL TO THE INTERESTS OF PANDUIT CORP.

PANDUIT PART NUMBER	TAB SIZE in. [mm]	WIRE RANGE AWG [mm <sup>2</sup> ]	MAX. WIRE INSUL. DIA. in. [mm]	DIMENSIONS in. [mm]		
				A ± .03 [0,8]	B ± .015 [0,4]	C ± .015 [0,4]
DNF18-110FIB	.110 X .032 [2,8 X 0,8]	22-18 [0,5-1,0]	.12 [3,0]	.71 [18,0]	.19 [4,8]	.16 [4,1]
DNF18-111FIB	.110 X .020 [2,8 X 0,5]	22-18 [0,5-1,0]	.12 [3,0]	.71 [18,0]	.19 [4,8]	.16 [4,1]

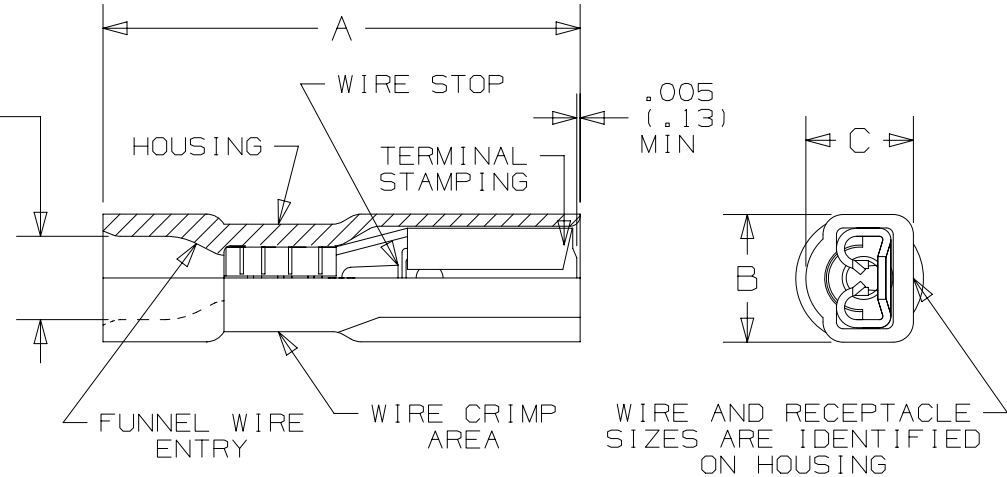
UL & CSA TOOLS
CT-520 CT-1525 (A POCKET) CT-2500 (CT-2525CH: A PKT)

PANDUIT APPROVED TOOLS
CT-100A (A POCKET)

NOTES:

- UL LISTED AND CSA CERTIFIED FOR:
  - #22-18 AWG STRANDED COPPER WIRE ONLY
  - 257°F (125°C) MAX TEMP RATING UL  
221°F (105°C) MAX TEMP RATING CSA
  - 600V MAX VOLTAGE RATING
- INSERTION/WITHDRAWAL FORCES:
  - 1ST INSERTION MAX: 12 lbs. [53 N]
  - 1ST WITHDRAWAL MAX: 14 lbs. [62 N]
  - 1ST WITHDRAWAL MIN: 2 lbs. [9 N]
- SEE [www.panduit.com](http://www.panduit.com) FOR PACKAGE QUANTITIES
- MATERIAL:
  - STAMPING: .010" [0,25mm] THK BRASS, TIN PLATED
  - HOUSING: TYPE 6/6 NYLON, TRANSLUCENT RED
- DIMENSIONS IN BRACKETS ARE METRIC
- WIRE STRIP LENGTH: 9/32" <sup>+1/32</sup><sub>-0</sub> [7,1 mm <sup>+0,8</sup><sub>-0</sub>]

MAX. WIRE INSUL. DIA. (SEE CHART)



LISTED  
20H3  
E78522



CERTIFIED  
LR31212

REV	DATE	BY	CHK	APR	DESCRIPTION	ECN
07	5/17	JHNU	TMR	RGB	ADDED CT-2500 TOOL, METRIC WIRE RANGE WAS 0,38 - 1,0	A41544
06	11/16	JHNU	TMR	RGB	INSERTION WITHDRAWAL FORCES UPDATED, WAS 6-12 lbs	A41544
05	12/15	TMR	TMR	RGB	UPDATED CT-100A AND ADDED A PKT NOTE, REVISED TITLE BLOCK	N41544BB-A41544
04	2/07	DAW	DAW	LCA	ADDED POCKET "A" NOTE TO CT-1525	TR00220
03	7/03	KLFU	SKB	SKB	UPDATED DRAWING	12453
02	5/98	TM	JW	LA	ADDED CT-1525 TO TOOL NOTES	06872
01	10/94	TH	RLS	LA	UPDATED NOTES AND DIMENSIONS	02550

TITLE	
LOOSE PIECE, NYLON, FULLY INSULATED FEMALE DISCONNECTS, .110 X .032, .110 X .020 TAB	
CONTROL DRAWING	
ITEM REVISION NAME	N41544BA/07
DATASET FILE NAME	N41544BA/07
UNLESS OTHERWISE SPECIFIED, DIMENSIONAL TOLERANCES ARE: IN [mm]	
.x ± .1 [2.54]	.xxx ± .005 [0.127]
.xx ± .01 [0.25]	ANGLES ± 5°
THIRD ANGLE PROJECTION	
DRAWING NUMBER: A41544	
DRAWN BY	DATE
BDK	5/92
CHK	SCALE
RLS	NONE
SHT 1 OF 1	
SIZE	
A	

D10100DA/16