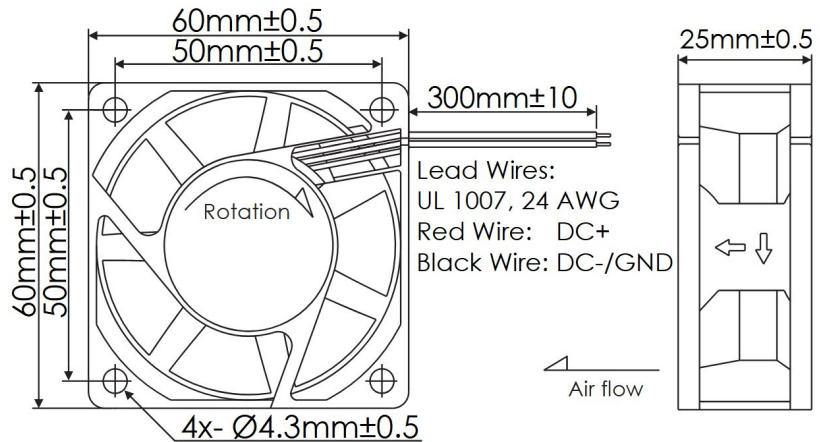


OD6025 IP68 Series



DC Fan - 12, 24, 48V
60 x 25mm (2.4" x 1.0")



Frame	PBT, UL94 V-0 plastic	Operating Temperature -20°C ~ +65°C Storage Temperature -25°C ~ +70°C Life Expectancy 60,000 Hours (L10 at 45°C) Available Options Tachometer Output Alarm Output PWM Speed Control Input 5V DC Versions Salt Fog Ratings Weight: 0.14 lbs	
Impeller	PBT, UL94 V-0 plastic		
Connection	2x Lead wires, 24 AWG		
Motor	Brushless DC, Auto Restart, Polarity Protected, Electronically Protected, IP68		
Bearing System	Dual Ball Bearings		
Dielectric Strength	500VAC/min, < 1mA		
Insulation Resistance	10MΩ between lead wires and frame (500 VDC)		

Part Number	Rated Voltage (Volts DC)	Voltage Range (Volts DC)	Input Power (Watts)	Rated Current (Amps)	Rated Speed (RPM)	Airflow (CFM)	Noise Level (dBA)	Max. Static Pressure ("H ₂ O)
OD6025-12HHBIP68	12	8 ~ 13.8	1.8	0.21	4390	32	32	0.24"
OD6025-12HBIP68	12	8 ~ 13.8	1.8	0.15	3975	25	30	0.22"
OD6025-12MBIP68	12	8 ~ 13.8	1.5	0.12	3150	17	25	0.16"
OD6025-12LBIP68	12	8 ~ 13.8	1.0	0.08	2480	14	20	0.14"
OD6025-24HHBIP68	24	15 ~ 26	2.8	0.15	4390	32	32	0.24"
OD6025-24HBIP68	24	15 ~ 26	2.8	0.12	3975	25	30	0.22"
OD6025-24MBIP68	24	15 ~ 26	2.2	0.09	3150	17	25	0.16"
OD6025-24LBIP68	24	15 ~ 26	1.5	0.06	2480	14	20	0.14"
OD6025-48HHBIP68	48	28 ~ 52	3.4	0.1	4390	32	32	0.24"
OD6025-48HBIP68	48	28 ~ 52	3.4	0.07	4050	28	30	0.23"