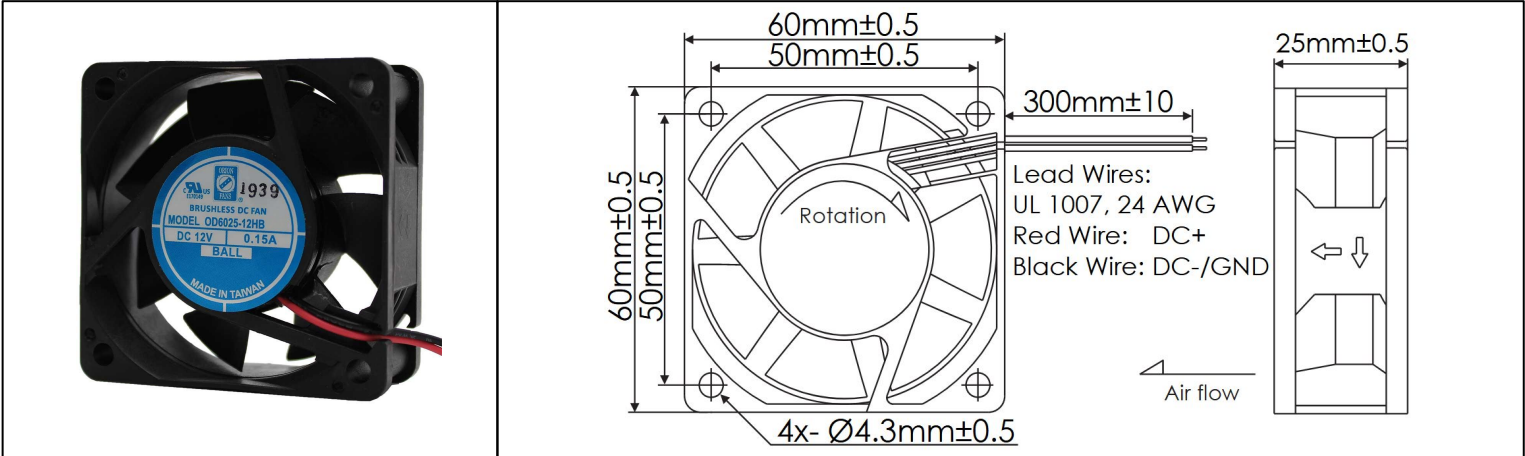


# OD6025 Series



DC Fan - 12V, 24V, 48V  
60 x 25mm (2.4" x 1.0")



<b>Frame</b>	PBT, UL94 V-0 plastic	<b>Operating Temperature</b> -20°C ~ +65°C  <b>Storage Temperature</b> -20°C ~ +70°C  <b>Life Expectancy</b> 60,000 Hours (L10 at 45°C)  <b>Available Options</b> Tachometer Output Alarm Output PWM Speed Control Input 5V DC Versions IP and Salt Fog Ratings  Weight: 0.14 lbs	
<b>Impeller</b>	PBT, UL94 V-0 plastic		
<b>Connection</b>	2x Lead wires, 24 AWG		
<b>Motor</b>	Brushless DC, Auto Cutoff, Auto Restart, Polarity Protected, Electronically Protected		
<b>Bearing System</b>	Dual Ball Bearings		
<b>Dielectric Strength</b>	500VAC/min, < 1mA		
<b>Insulation Resistance</b>	10MΩ between lead wires and frame (500 VDC)		

Part Number	Rated Voltage (Volts DC)	Voltage Range (Volts DC)	Input Power (Watts)	Rated Current (Amps)	Rated Speed (RPM)	Airflow (CFM)	Noise Level (dBA)	Max. Static Pressure ("H <sub>2</sub> O)
OD6025-12HHB	12	8 ~ 13.8	1.8	0.21	4390	32	32	0.24"
OD6025-12HB	12	8 ~ 13.8	1.8	0.15	3975	25	30	0.22"
OD6025-12MB	12	8 ~ 13.8	1.5	0.12	3150	17	25	0.16"
OD6025-12LB	12	8 ~ 13.8	1.0	0.08	2480	14	20	0.14"
OD6025-24HHB	24	15 ~ 26	2.8	0.15	4390	32	32	0.24"
OD6025-24HB	24	15 ~ 26	2.8	0.12	3975	25	30	0.22"
OD6025-24MB	24	15 ~ 26	2.2	0.09	3150	17	25	0.16"
OD6025-24LB	24	15 ~ 26	1.5	0.06	2480	14	20	0.14"
OD6025-48HHB	48	28 ~ 52	3.4	0.10	4390	32	32	0.24"
OD6025-48HB	48	28 ~ 52	3.4	0.07	4050	28	30	0.23"