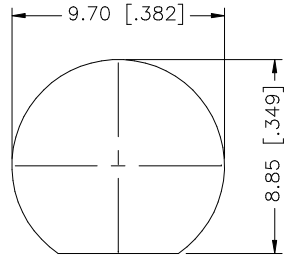
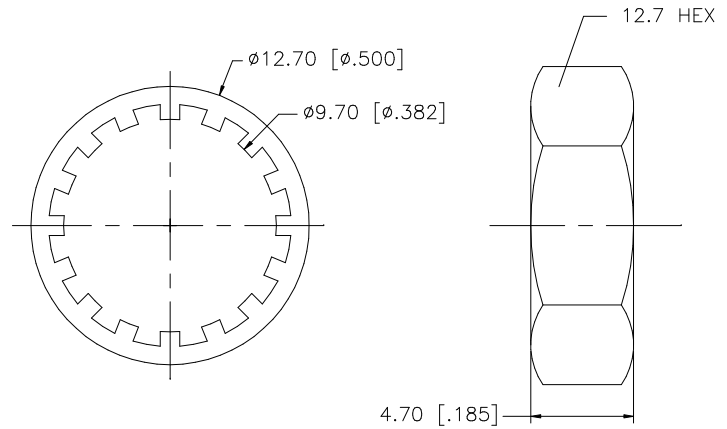
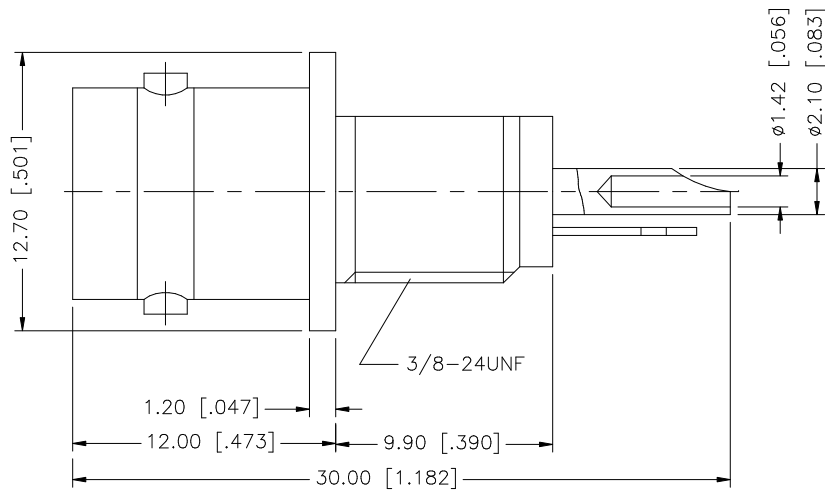


REV.	DATE	DESCRIPTION
A	11/19/03	UPDATE DRAWING FORMAT



RECOMMENDED MOUNTING HOLE



NOTE:

1. MAX. PANEL THICKNESS = 3.2mm
2. RECOMMENDED TORQUE: A MAXIMUM 12 INCH-LBS MAY BE APPLIED ON HEX NUT WHEN MOUNTING CONNECTOR IN PANEL

REV.	DATE	DESCRIPTION
A	11/19/03	UPDATE DRAWING FORMAT
8		
7		
6		
5	HEX NUT	BRASS NICKEL 1
4	LOCK WASHER	BRASS NICKEL 1
3	CONTACT PIN	PHOS. BRONZE GOLD 1
2	INSULATOR	TEFLON NATURAL 1
1	BODY	BRASS NICKEL 1
	DESCRIPTION	MATERIAL FINISH QTY

UNLESS OTHERWISE SPECIFIED DIMENSIONS ARE IN MILLIMETERS. DIMENSIONS IN [] ARE IN INCHES AND FOR CUSTOMER REFERENCE ONLY.

UNLESS OTHERWISE SPECIFIED TOLERANCES FOR MILLIMETERS ARE:
0.5 - 8mm ± 0.20mm
8 - 30mm ± 0.40mm
30 - 120mm ± 0.50mm

UNLESS OTHERWISE SPECIFIED TOLERANCES FOR INCHES ARE:
.020 - .315 = ± 0.007"
.315 - 1.180 = ± 0.015"
1.180 - 4.724 = ± 0.020"

DO NOT SCALE DRAWING

APPROVALS

DRAWN G.R.S.

CHECKED

ISSUED

SHEET 1 OF 1

CAD FILE C:/112/112431.DWG

DATE

11/19/03

Amphenol Connex

PART DESCRIPTION

**BNC BULKHEAD RECEPTACLE
ISOLATED JACK - 50ohm**

PART NO.

112431

DWG. NO. 112431.DWG

REV. A

SIZE A

SCALE NA