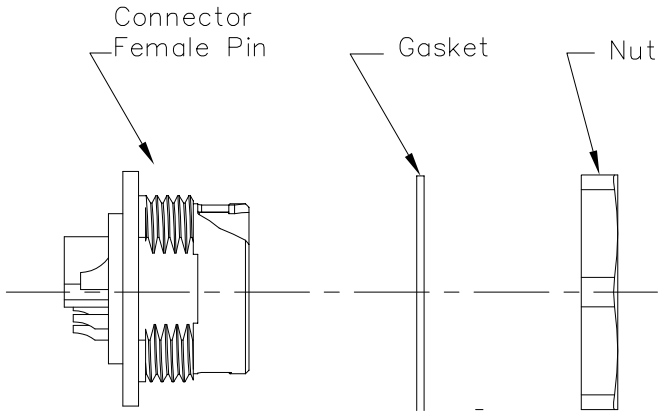
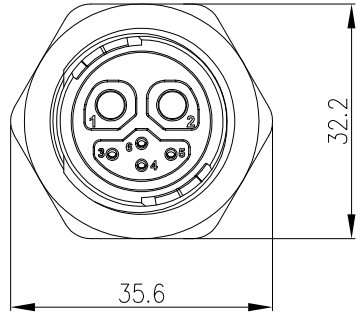
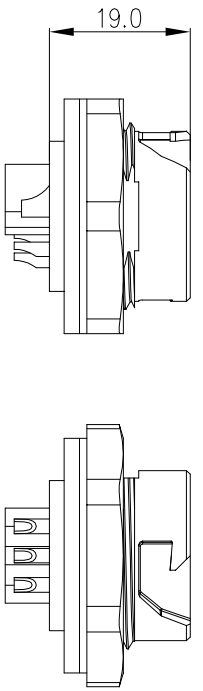
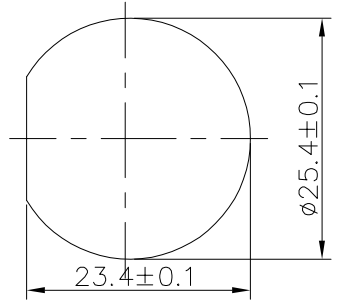
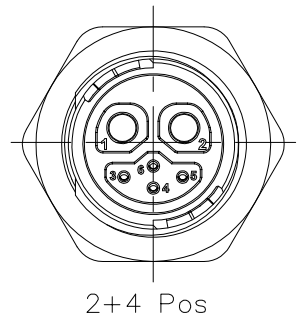


REV.	ECN NO.	DESCRIPTION	SIGN	DATE
C1	N/A	INITIAL DRAWING	Liu	2019/08/08



- Specification:
- 1.Operation Temperature: -45℃~105℃.
  - 2.Insulation Resistance:100MΩ at DC500V.
  - 3.Contact Resistance: <10mΩ.
  - 4.Withstand Voltage: 2000V AC, 1min
  - 5.Operating Current: 50A+5A
  - 6.Operating Voltage: AC 250V
  - 7.Waterproof Rate: IP67 (Mated)
  - 8.Housing: Nylon, Black
  - 9.Female Pin: Copper Alloy, Gold Plated
  - 10.Gasket: Silicon gray
  - 11.Panel Nut: Nylon, Black
  - 12.RoHS Compliant.
  - 13.Mating Cap P/N: 806-00058-00



Pin Assignments  
Front View

RECOMMENDED PANEL CUT-OUT  
Panel Thickness MAX 2mm

UNIT:mm	
TOLERANCE	
.X	±0.25
.XX	±0.15
.XXX	±0.05
ANGLES	±1°

DESCRIPTION Large Series 2+4 Pos Push Lock Front Mount With Female Pin	
SCALE: N/A	SHEET 1 OF 1
REV. C1	SIZE A4 * :Inspection Item

**CHOGORI**

PART NO	24305635-01	DRAWN BY	Liu	DATE	2019/08/08
DWG NO		CHECKED BY	Mo	DATE	2019/08/08
CUSTOMER		APPROVED BY		DATE	

THIS INFORMATION IS CONFIDENTIAL AND IS DISCLOSED TO YOU ON CONDITION THAT NO FURTHER DISCLOSURE IS MADE BY YOU TO OTHER THAN CHOGORI PERSONNEL WITHOUT AUTHORIZATION FROM CHOGORI CORP.