

4

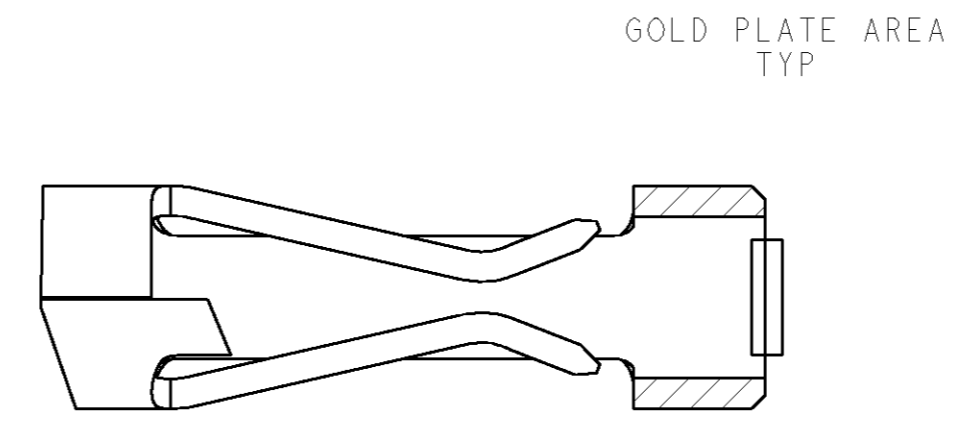
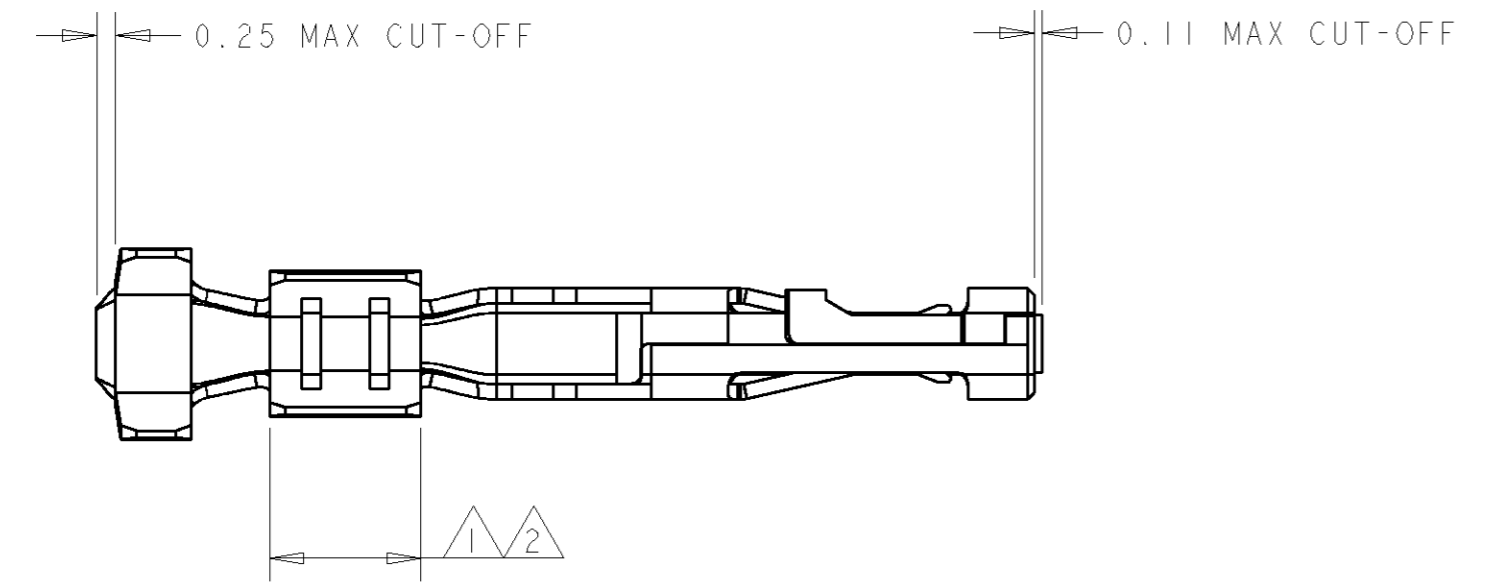
3

2

1

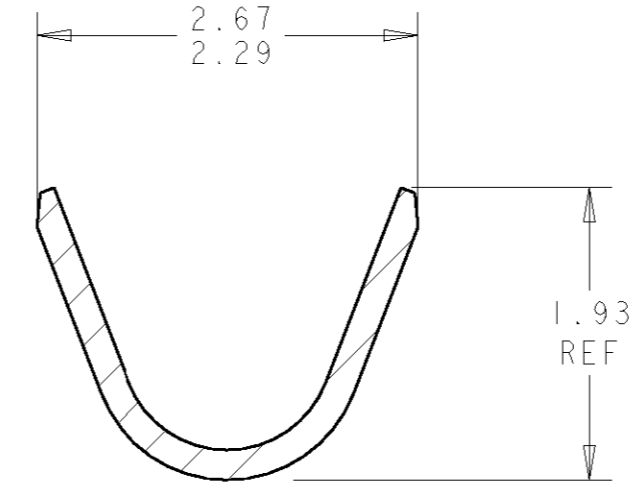
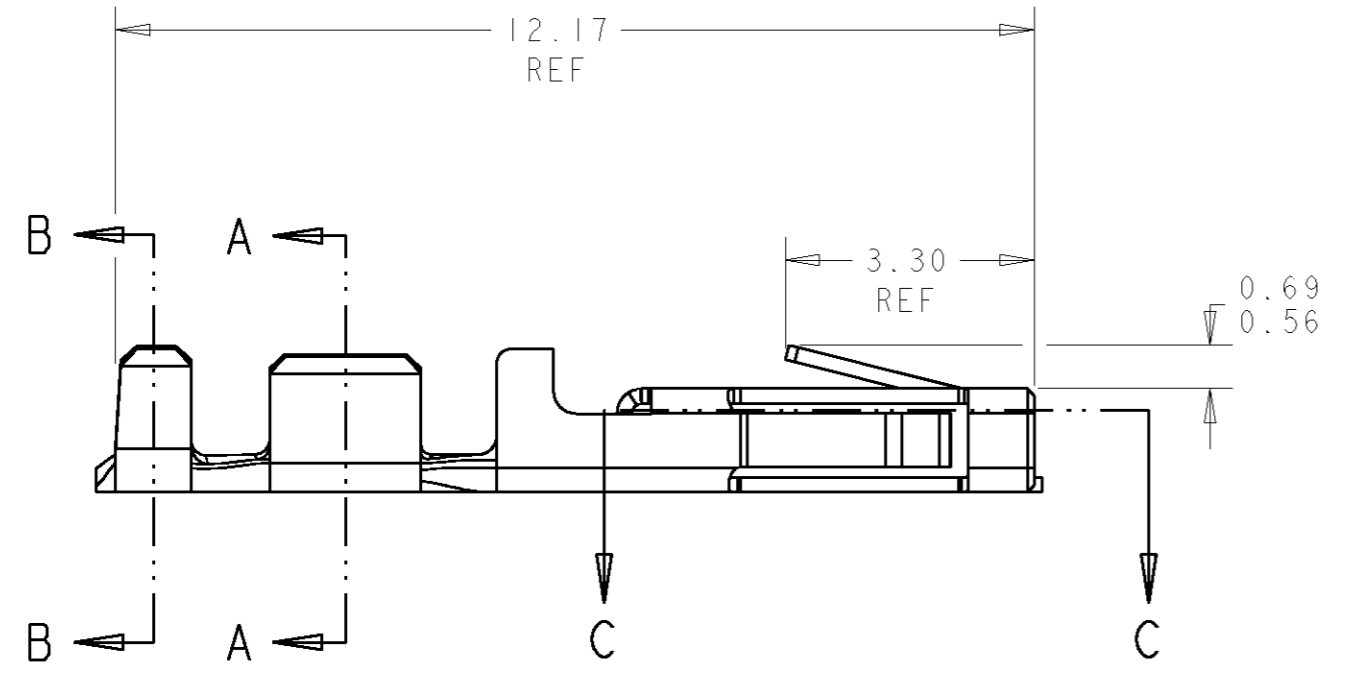
THIS DRAWING IS UNPUBLISHED. RELEASED FOR PUBLICATION  
 © COPYRIGHT 19 BY TYCO ELECTRONICS CORPORATION. ALL RIGHTS RESERVED.

LOC	DIST	REVISIONS					
		P	LTR	DESCRIPTION	DATE	DWN	APVD
CM	53		B	REVISED PER 0G3B-0596-01	08-NOV-01	KW	CJ

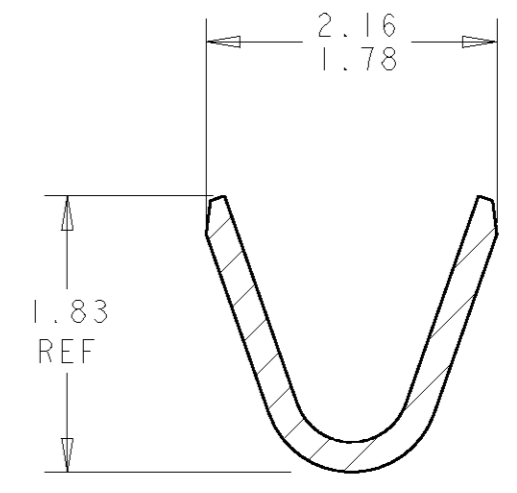


SECTION C-C  
SCALE 20:1

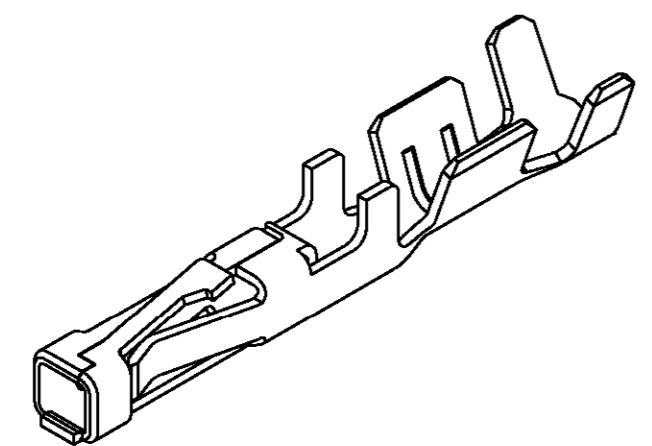
- 1 0.000762 THK GOLD STRIPE IN THE GOLD PLATE AREA, BRIGHT TIN IN THE CRIMP AREA, OVER NICKEL PLATE.
- 2 0.000381 THK GOLD STRIPE IN THE GOLD PLATE AREA, BRIGHT TIN IN THE CRIMP AREA, OVER NICKEL PLATE.
- 3 0.0015 - 0.0040 THK BRIGHT TIN.
- 4. WIRE RANGE: 20 - 24 AWG.
- 5. INSULATION RANGE 0.89 - 1.524.



SECTION B-B  
SCALE 20:1



SECTION A-A  
SCALE 20:1



3 DIMENSIONAL VIEW  
SCALE 8:1

METRIC

1	794610-3
2	794610-2
3	794610-1
FINISH	PART NUMBER

THIS DRAWING IS A CONTROLLED DOCUMENT FOR TYCO ELECTRONICS CORPORATION. IT IS SUBJECT TO CHANGE AND THE CONTROLLING ENGINEERING ORGANIZATION SHOULD BE CONTACTED FOR THE LATEST REVISION.		DWN K. WHITAKER 19-OCT-1999	AMP Incorporated Harrisburg, PA 17105-3608	
DIMENSIONS: mm		CHK K. COBLE 19-OCT-1999	NAME CONTACT, RECEPTACLE, CRIMP, SNAP-IN, LOOSE PIECE, MICRO MATE-N-LOK™	
TOLERANCES UNLESS OTHERWISE SPECIFIED: 0 PLC ± 1 PLC ± 2 PLC ±0.13 3 PLC ± 4 PLC ±		APVD K. COBLE 19-OCT-1999	SIZE A2	
MATERIAL 0.2 PH BRZ		PRODUCT SPEC -	CAGE CODE 00779	DRAWING NO. 794610
ANGLES ±0.30°		FINISH SEE TABLE	RESTRICTED TO -	SCALE 10:1
		WEIGHT -	SHEET 1	OF 1
		CUSTOMER DRAWING	REV B	

794610