

TMS320F2833x, TMS320F2823x Digital Signal Controllers (DSCs)

1 Features

- High-performance static CMOS technology
 - Up to 150 MHz (6.67-ns cycle time)
 - 1.9-V/1.8-V core, 3.3-V I/O design
- High-performance 32-bit CPU (TMS320C28x)
 - IEEE 754 single-precision Floating-Point Unit (FPU) (F2833x only)
 - 16 × 16 and 32 × 32 MAC operations
 - 16 × 16 dual MAC
 - Harvard bus architecture
 - Fast interrupt response and processing
 - Unified memory programming model
 - Code-efficient (in C/C++ and Assembly)
- Six-channel DMA controller (for ADC, McBSP, ePWM, XINTF, and SARAM)
- 16-bit or 32-bit External Interface (XINTF)
 - More than 2M × 16 address reach
- On-chip memory
 - F28335, F28333, F28235: 256K × 16 flash, 34K × 16 SARAM
 - F28334, F28234: 128K × 16 flash, 34K × 16 SARAM
 - F28332, F28232: 64K × 16 flash, 26K × 16 SARAM
 - 1K × 16 OTP ROM
- Boot ROM (8K × 16)
 - With software boot modes (through SCI, SPI, CAN, I2C, McBSP, XINTF, and parallel I/O)
 - Standard math tables
- Clock and system control
 - On-chip oscillator
 - Watchdog timer module
- GPIO0 to GPIO63 pins can be connected to one of the eight external core interrupts
- Peripheral Interrupt Expansion (PIE) block that supports all 58 peripheral interrupts
- 128-bit security key/lock
 - Protects flash/OTP/RAM blocks
 - Prevents firmware reverse-engineering
- Enhanced control peripherals
 - Up to 18 PWM outputs
 - Up to 6 HRPWM outputs with 150-ps MEP resolution
 - Up to 6 event capture inputs
 - Up to 2 Quadrature Encoder interfaces
 - Up to 8 32-bit timers
 - (6 for eCAPs and 2 for eQEPs)
 - Up to 9 16-bit timers (6 for ePWMs and 3 XINTCTRs)
- Three 32-bit CPU timers
- Serial port peripherals
 - Up to 2 CAN modules
 - Up to 3 SCI (UART) modules
 - Up to 2 McBSP modules (configurable as SPI)
 - One SPI module
 - One Inter-Integrated Circuit (I2C) bus
- 12-bit ADC, 16 channels
 - 80-ns conversion rate
 - 2 × 8 channel input multiplexer
 - Two sample-and-hold
 - Single/simultaneous conversions
 - Internal or external reference
- Up to 88 individually programmable, multiplexed GPIO pins with input filtering
- JTAG boundary scan support
 - IEEE Standard 1149.1-1990 Standard Test Access Port and Boundary Scan Architecture
- Advanced emulation features
 - Analysis and breakpoint functions
 - Real-time debug using hardware
- Development support includes
 - ANSI C/C++ compiler/assembler/linker
 - Code Composer Studio™ IDE
 - DSP/BIOS™ and SYS/BIOS
 - Digital motor control and digital power software libraries
- Low-power modes and power savings
 - IDLE, STANDBY, HALT modes supported
 - Disable individual peripheral clocks
- Endianness: Little endian
- Package options:
 - Lead-free, green packaging
 - 176-ball plastic Ball Grid Array (BGA) (ZJZ)
 - 179-ball MicroStar BGA™ (ZHH)
 - 176-pin Low-Profile Quad Flatpack (LQFP) (PGF)
 - 176-pin Thermally Enhanced Low-Profile Quad Flatpack (HLQFP) (PTP)
- Temperature options:
 - A: –40°C to 85°C (PGF, ZHH, ZJZ)
 - S: –40°C to 125°C (PTP, ZJZ)
 - Q: –40°C to 125°C (PTP, ZJZ)



(AEC Q100 qualification for automotive applications)

2 Applications

- Advanced Driver Assistance Systems (ADAS)
- Building automation
- Electronic point of sale
- Electric Vehicle/Hybrid Electric Vehicle (EV/HEV) powertrain
- Factory automation
- Grid infrastructure
- Industrial transport
- Medical, healthcare and fitness
- Motor drives
- Power delivery
- Telecom infrastructure
- Test and measurement

3 Description

C2000™ 32-bit microcontrollers are optimized for processing, sensing, and actuation to improve closed-loop performance in real-time control applications such as industrial motor drives; solar inverters and digital power; electrical vehicles and transportation; motor control; and sensing and signal processing. The C2000 line includes the Delfino™ Premium Performance family and the Piccolo™ Entry Performance family.

TMS320C2000™ 32-bit microcontrollers are optimized for processing, sensing, and actuation to improve closed-loop performance in real-time control applications. The C2000™ microcontrollers line includes the Delfino™ Premium Performance microcontroller family and the Piccolo™ Entry Performance microcontroller family.

The TMS320F28335, TMS320F28334, TMS320F28333, TMS320F28332, TMS320F28235, TMS320F28234, and TMS320F28232 devices, members of the TMS320C28x/ Delfino™ DSC/MCU generation, are highly integrated, high-performance solutions for demanding control applications.

Throughout this document, the devices are abbreviated as F28335, F28334, F28333, F28332, F28235, F28234, and F28232, respectively. F2833x Device Comparison and F2823x Device Comparison provide a summary of features for each device.

To learn more about the C2000 MCUs, visit the C2000 Overview at www.ti.com/c2000.

Device Information (1)

PART NUMBER	PACKAGE	BODY SIZE
TMS320F28335ZHH	BGA MicroStar (179)	12.0 mm × 12.0 mm
TMS320F28334ZHH	BGA MicroStar (179)	12.0 mm × 12.0 mm
TMS320F28332ZHH	BGA MicroStar (179)	12.0 mm × 12.0 mm
TMS320F28235ZHH	BGA MicroStar (179)	12.0 mm × 12.0 mm
TMS320F28234ZHH	BGA MicroStar (179)	12.0 mm × 12.0 mm
TMS320F28232ZHH	BGA MicroStar (179)	12.0 mm × 12.0 mm
TMS320F28335ZJZ	BGA (176)	15.0 mm × 15.0 mm
TMS320F28334ZJZ	BGA (176)	15.0 mm × 15.0 mm
TMS320F28332ZJZ	BGA (176)	15.0 mm × 15.0 mm
TMS320F28235ZJZ	BGA (176)	15.0 mm × 15.0 mm
TMS320F28234ZJZ	BGA (176)	15.0 mm × 15.0 mm
TMS320F28232ZJZ	BGA (176)	15.0 mm × 15.0 mm
TMS320F28335PGF	LQFP (176)	24.0 mm × 24.0 mm
TMS320F28334PGF	LQFP (176)	24.0 mm × 24.0 mm
TMS320F28333PGF	LQFP (176)	24.0 mm × 24.0 mm
TMS320F28332PGF	LQFP (176)	24.0 mm × 24.0 mm
TMS320F28235PGF	LQFP (176)	24.0 mm × 24.0 mm
TMS320F28234PGF	LQFP (176)	24.0 mm × 24.0 mm
TMS320F28232PGF	LQFP (176)	24.0 mm × 24.0 mm
TMS320F28335PTP	HLQFP (176)	24.0 mm × 24.0 mm
TMS320F28334PTP	HLQFP (176)	24.0 mm × 24.0 mm

Device Information ⁽¹⁾ (continued)

PART NUMBER	PACKAGE	BODY SIZE
TMS320F28332PTP	HLQFP (176)	24.0 mm × 24.0 mm
TMS320F28235PTP	HLQFP (176)	24.0 mm × 24.0 mm
TMS320F28234PTP	HLQFP (176)	24.0 mm × 24.0 mm
TMS320F28232PTP	HLQFP (176)	24.0 mm × 24.0 mm

(1) For more information on these devices, see [Mechanical, Packaging, and Orderable Information](#).

3.1 Functional Block Diagram

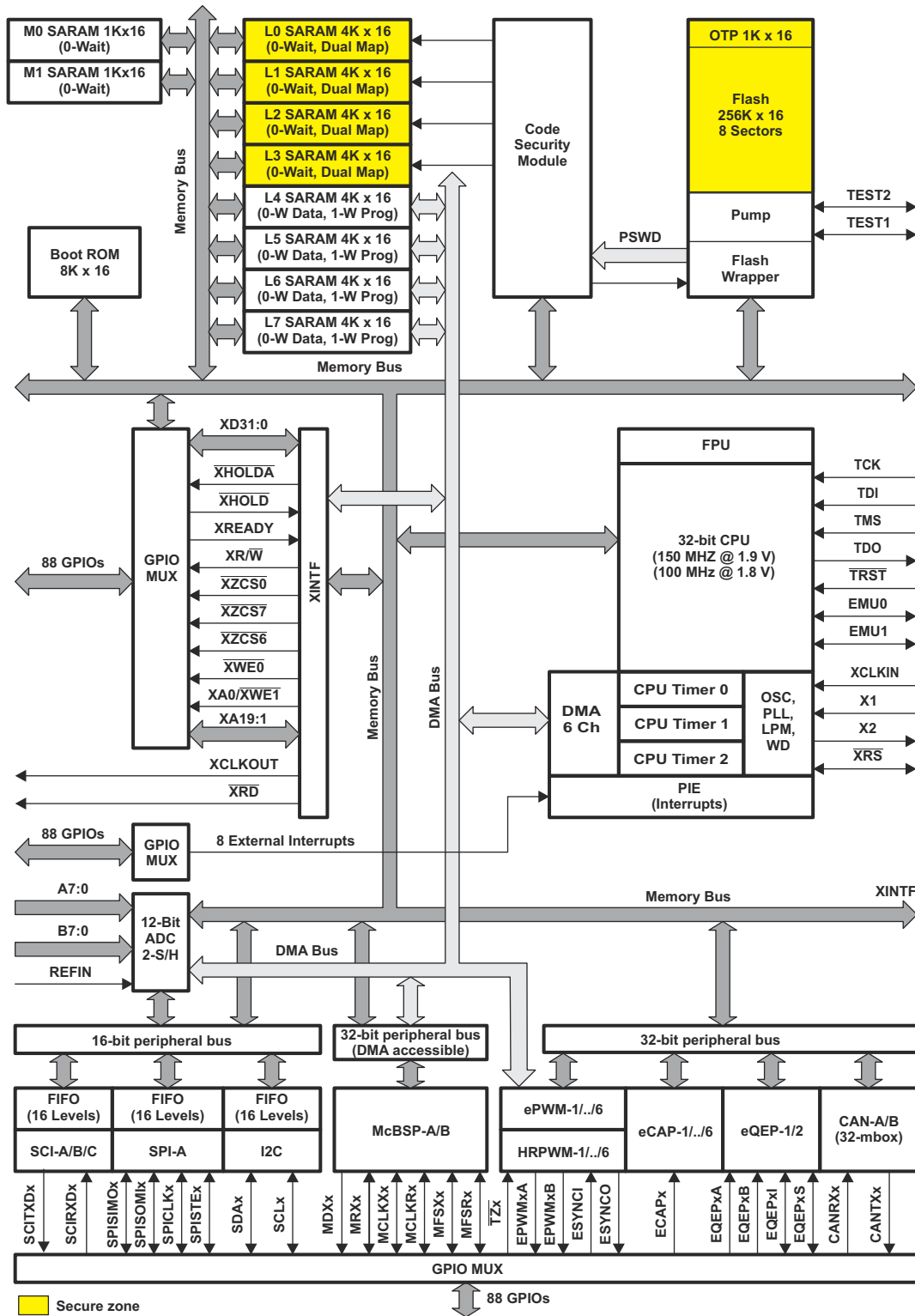


Figure 3-1. Functional Block Diagram

Table of Contents

1 Features	1	8 Detailed Description	104
2 Applications	2	8.1 Brief Descriptions.....	104
3 Description	2	8.2 Peripherals.....	112
3.1 Functional Block Diagram.....	4	8.3 Memory Maps.....	156
4 Revision History	5	8.4 Register Map.....	163
5 Device Comparison	6	8.5 Interrupts.....	166
5.1 Related Products.....	8	8.6 System Control.....	171
6 Terminal Configuration and Functions	9	8.7 Low-Power Modes Block.....	177
6.1 Pin Diagrams.....	9	9 Applications, Implementation, and Layout	178
6.2 Signal Descriptions.....	19	9.1 TI Design or Reference Design.....	178
7 Specifications	30	10 Device and Documentation Support	179
7.1 Absolute Maximum Ratings.....	30	10.1 Getting Started.....	179
7.2 ESD Ratings – Automotive.....	31	10.2 Device and Development Support Tool Nomenclature.....	179
7.3 ESD Ratings – Commercial.....	31	10.3 Tools and Software.....	181
7.4 Recommended Operating Conditions.....	32	10.4 Documentation Support.....	182
7.5 Power Consumption Summary.....	33	10.5 Support Resources.....	185
7.6 Electrical Characteristics.....	37	10.6 Trademarks.....	185
7.7 Thermal Resistance Characteristics.....	38	10.7 Electrostatic Discharge Caution.....	185
7.8 Thermal Design Considerations.....	41	10.8 Glossary.....	185
7.9 Timing and Switching Characteristics.....	42	11 Mechanical, Packaging, and Orderable Information	186
7.10 On-Chip Analog-to-Digital Converter.....	96	11.1 Packaging Information.....	186
7.11 Migrating Between F2833x Devices and F2823x Devices.....	103		

4 Revision History

Changes from April 22, 2019 to February 1, 2021 (from Revision O (April 2019) to Revision P (February 2021))

	Page
• Added Q1 Part Numbers.....	0
• Table 5-1 , Table 5-2 : Added Q1 Part Numbers.....	6
• Figure 10-1 : Added GPN information.....	179

5 Device Comparison

Table 5-1. F2833x Device Comparison

FEATURE		TYPE ⁽¹⁾	F28335 F28335-Q1 (150 MHz)	F28334 (150 MHz)	F28333 (100 MHz)	F28332 (100 MHz)
Instruction cycle		–	6.67 ns	6.67 ns	10 ns	10 ns
Floating-point unit		–	Yes	Yes	Yes	Yes
3.3-V on-chip flash (16-bit word)		–	256K	128K	256K	64K
Single-access RAM (SARAM) (16-bit word)		–	34K	34K	34K	26K
One-time programmable (OTP) ROM (16-bit word)		–	1K	1K	1K	1K
Code security for on-chip flash/ SARAM/OTP blocks		–	Yes	Yes	Yes	Yes
Boot ROM (8K × 16)		–	Yes	Yes	Yes	Yes
16/32-bit External Interface (XINTF)		1	Yes	Yes	Yes	Yes
6-channel Direct Memory Access (DMA)		0	Yes	Yes	Yes	Yes
PWM channels		0	ePWM1/2/3/4/5/6	ePWM1/2/3/4/5/6	ePWM1/2/3/4/5/6	ePWM1/2/3/4/5/6
HRPWM channels		0	ePWM1A/2A/3A/4A/ 5A/6A	ePWM1A/2A/3A/4A/ 5A/6A	ePWM1A/2A/3A/4A/ 5A/6A	ePWM1A/2A/3A/4A
32-bit capture inputs or auxiliary PWM outputs		0	eCAP1/2/3/4/5/6	eCAP1/2/3/4	eCAP1/2/3/4/5/6	eCAP1/2/3/4
32-bit QEP channels (four inputs/ channel)		0	eQEP1/2	eQEP1/2	eQEP1/2	eQEP1/2
Watchdog timer		–	Yes	Yes	Yes	Yes
12-bit ADC	No. of channels	2	16	16	16	16
	MSPS		12.5	12.5	12.5	12.5
	Conversion time		80 ns	80 ns	80 ns	80 ns
32-bit CPU timers		–	3	3	3	3
Multichannel Buffered Serial Port (McBSP)/SPI		1	2 (A/B)	2 (A/B)	2 (A/B)	1 (A)
Serial Peripheral Interface (SPI)		0	1	1	1	1
Serial Communications Interface (SCI)		0	3 (A/B/C)	3 (A/B/C)	3 (A/B/C)	2 (A/B)
Enhanced Controller Area Network (eCAN)		0	2 (A/B)	2 (A/B)	2 (A/B)	2 (A/B)
Inter-Integrated Circuit (I2C)		0	1	1	1	1
General-purpose I/O pins (shared)		–	88	88	88	88
External interrupts		–	8	8	8	8
Packaging	176-Pin PGF	–	Yes	Yes	Yes	Yes
	176-Pin PTP	–	Yes	Yes	–	Yes
	179-Ball ZHH	–	Yes	Yes	–	Yes
	176-Ball ZJZ	–	Yes	Yes	–	Yes
Temperature options	A: –40°C to 85°C	–	PGF, ZHH, ZJZ	PGF, ZHH, ZJZ	PGF	PGF, ZHH, ZJZ
	S: –40°C to 125°C	–	PTP, ZJZ	PTP, ZJZ	–	PTP, ZJZ
	Q: –40°C to 125°C (AEC Q100 Qualification)	–	PTP, ZJZ	PTP, ZJZ	–	PTP, ZJZ

(1) A type change represents a major functional feature difference in a peripheral module. Within a peripheral type, there may be minor differences between devices that do not affect the basic functionality of the module. These device-specific differences are listed in the [C2000 real-time control peripherals reference guide](#) and in the peripheral reference guides.

Table 5-2. F2823x Device Comparison

FEATURE		TYPE ⁽¹⁾	F28235 F28235-Q1 (150 MHz)	F28234 F28234-Q1 (150 MHz)	F28232 F28232-Q1 (100 MHz)
Instruction cycle		–	6.67 ns	6.67 ns	10 ns
Floating-point unit		–	No	No	No
3.3-V on-chip flash (16-bit word)		–	256K	128K	64K
Single-access RAM (SARAM) (16-bit word)		–	34K	34K	26K
One-time programmable (OTP) ROM (16-bit word)		–	1K	1K	1K
Code security for on-chip flash/ SARAM/OTP blocks		–	Yes	Yes	Yes
Boot ROM (8K × 16)		–	Yes	Yes	Yes
16/32-bit External Interface (XINTF)		1	Yes	Yes	Yes
6-channel Direct Memory Access (DMA)		0	Yes	Yes	Yes
PWM channels		0	ePWM1/2/3/4/5/6	ePWM1/2/3/4/5/6	ePWM1/2/3/4/5/6
HRPWM channels		0	ePWM1A/2A/3A/4A/5A/6A	ePWM1A/2A/3A/4A/5A/6A	ePWM1A/2A/3A/4A
32-bit capture inputs or auxiliary PWM outputs		0	eCAP1/2/3/4/5/6	eCAP1/2/3/4	eCAP1/2/3/4
32-bit QEP channels (four inputs/channel)		0	eQEP1/2	eQEP1/2	eQEP1/2
Watchdog timer		–	Yes	Yes	Yes
12-bit ADC	No. of channels	2	16	16	16
	MSPS		12.5	12.5	12.5
	Conversion time		80 ns	80 ns	80 ns
32-bit CPU timers		–	3	3	3
Multichannel Buffered Serial Port (McBSP)/SPI		1	2 (A/B)	2 (A/B)	1 (A)
Serial Peripheral Interface (SPI)		0	1	1	1
Serial Communications Interface (SCI)		0	3 (A/B/C)	3 (A/B/C)	2 (A/B)
Enhanced Controller Area Network (eCAN)		0	2 (A/B)	2 (A/B)	2 (A/B)
Inter-Integrated Circuit (I2C)		0	1	1	1
General-purpose I/O pins (shared)		–	88	88	88
External interrupts		–	8	8	8
Packaging	176-Pin PGF	–	Yes	Yes	Yes
	176-Pin PTP	–	Yes	Yes	Yes
	179-Ball ZHH	–	Yes	Yes	Yes
	176-Ball ZJZ	–	Yes	Yes	Yes
Temperature options	A: –40°C to 85°C	–	PGF, ZHH, ZJZ	PGF, ZHH, ZJZ	PGF, ZHH, ZJZ
	S: –40°C to 125°C	–	PTP, ZJZ	PTP, ZJZ	PTP, ZJZ
	Q: –40°C to 125°C (AEC Q100 Qualification)	–	PTP, ZJZ	PTP, ZJZ	PTP, ZJZ

(1) A type change represents a major functional feature difference in a peripheral module. Within a peripheral type, there may be minor differences between devices that do not affect the basic functionality of the module. These device-specific differences are listed in the [C2000 real-time control peripherals reference guide](#) and in the peripheral reference guides.

5.1 Related Products

For information about other devices in the [Delfino](#) family of products, see the following links:

Original Delfino™ series:

[TMS320F2833x Delfino™ Microcontrollers](#)

The F2833x series is the original Delfino MCU. It is the first C2000™ MCU that is offered with a floating-point unit (FPU). It has the first-generation ePWM timers that are used throughout the rest of the Delfino and Piccolo™ families. The 12.5-MSPS, 12-bit ADC is still class-leading for an integrated analog-to-digital converter. The F2833x has a 150-MHz CPU and up to 512KB of on-chip Flash. It is available in a 176-pin QFP or 179-ball BGA package.

[TMS320C2834x Delfino™ Microcontrollers](#)

The C2834x series removes the on-chip Flash memory and integrated ADC to enable the fastest available clock speeds of up to 300 MHz. It is available in a 179-ball BGA or 256-ball BGA package.

Newest Delfino™ series:

[TMS320F2837xD Delfino™ Microcontrollers](#)

The F2837xD series sets a new standard for performance with dual subsystems. Each subsystem consists of a C28x CPU and a parallel control law accelerator (CLA), each running at 200 MHz. Enhancing performance are TMU and VCU [accelerators](#). New capabilities include multiple 16-bit/12-bit mode ADCs, DAC, Sigma-Delta filters, USB, configurable logic block (CLB), on-chip oscillators, and enhanced versions of all peripherals. The F2837xD is available with up to 1MB of Flash. It is available in a 176-pin QFP or 337-pin BGA package.

[TMS320F2837xS Delfino™ Microcontrollers](#)

The F2837xS series is a pin-to-pin compatible version of F2837xD but with only one C28x-CPU-and-CLA subsystem enabled. It is also available in a 100-pin QFP to enable compatibility with the Piccolo™ [TMS320F2807x](#) series.

6 Terminal Configuration and Functions

6.1 Pin Diagrams

The 176-pin PGF/PTP low-profile quad flatpack (LQFP) pin assignments are shown in Figure 6-1. The 179-ball ZHH ball grid array (BGA) terminal assignments are shown in Figure 6-2 through Figure 6-5. The 176-ball ZJZ plastic BGA terminal assignments are shown in Figure 6-6 through Figure 6-9. Table 6-1 describes the function(s) of each pin.

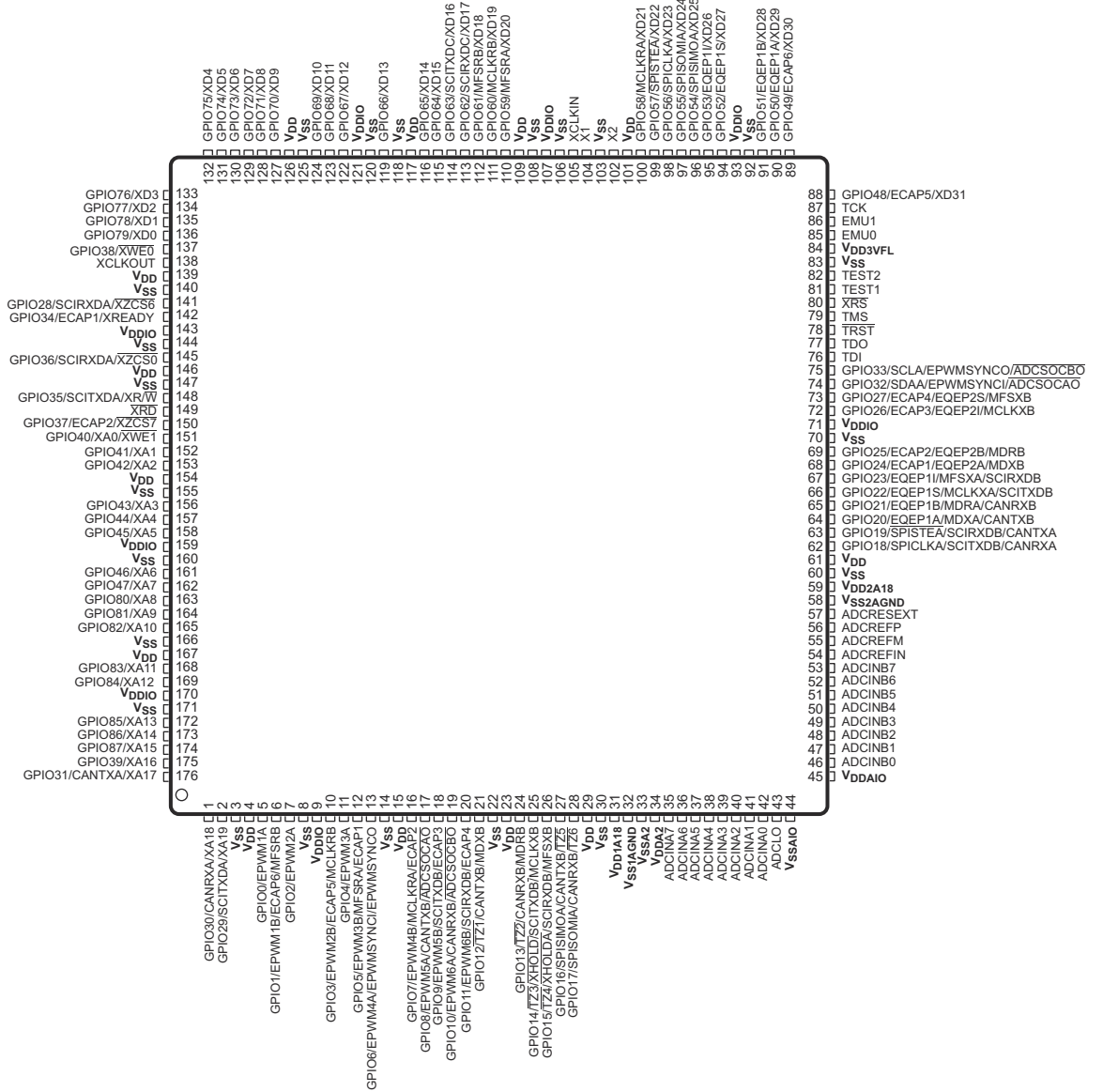


Figure 6-1. F2833x, F2823x 176-Pin PGF/PTP LQFP (Top View)

Note

The thermal pad should be soldered to the ground (GND) plane of the PCB because this will provide the best thermal conduction path. For this device, the thermal pad is not electrically shorted to the internal die V_{SS} ; therefore, the thermal pad does not provide an electrical connection to the PCB ground. To make optimum use of the thermal efficiencies designed into the PowerPAD™ package, the PCB must be designed with this technology in mind. A thermal land is required on the surface of the PCB directly underneath the thermal pad. The thermal land should be soldered to the thermal pad; the thermal land should be as large as needed to dissipate the required heat. An array of thermal vias should be used to connect the thermal pad to the internal GND plane of the board. See [PowerPAD™ thermally enhanced package](#) for more details on using the PowerPAD package.

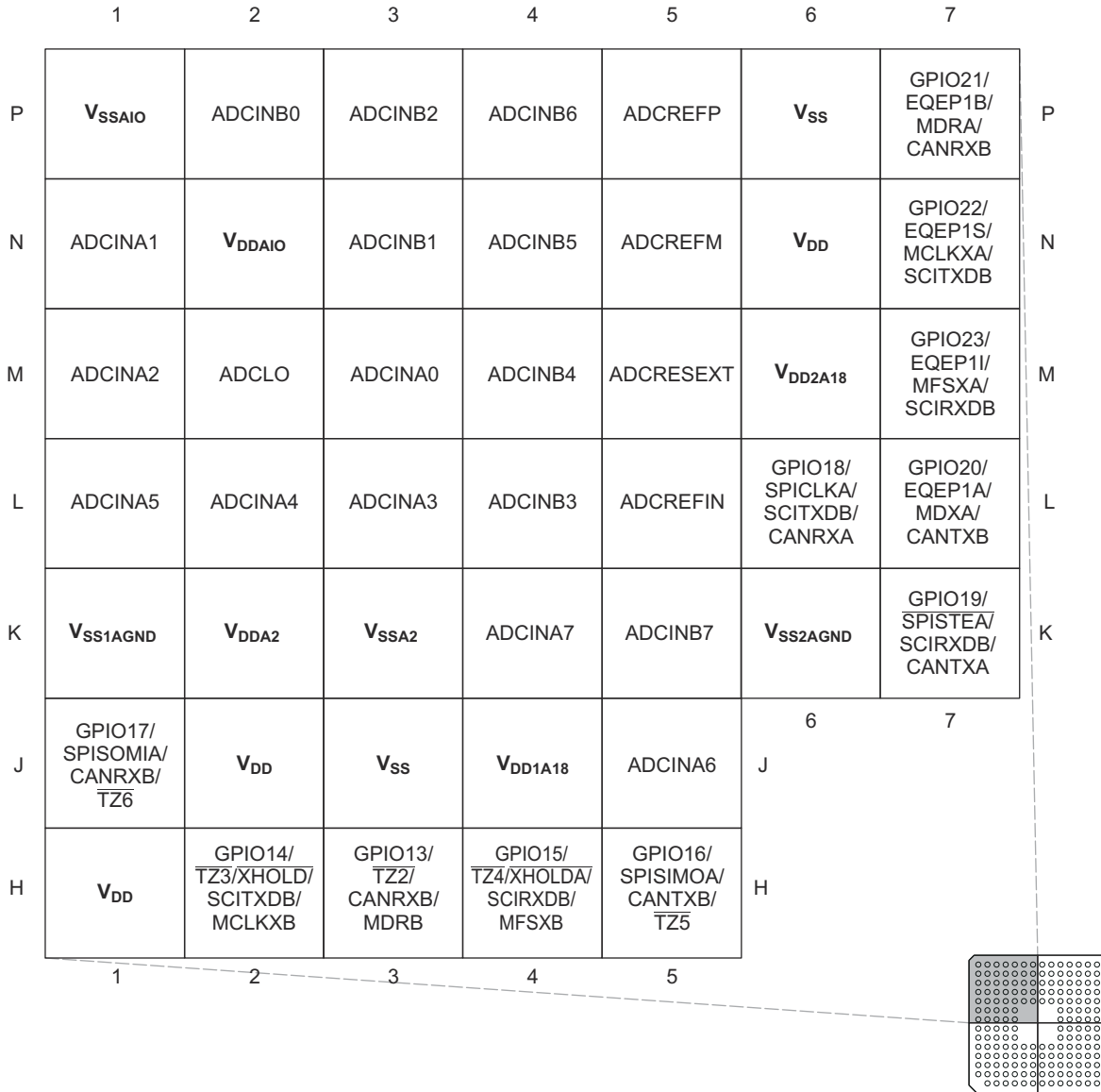


Figure 6-2. F2833x, F2823x 179-Ball ZHH MicroStar BGA (Upper-Left Quadrant) (Bottom View)

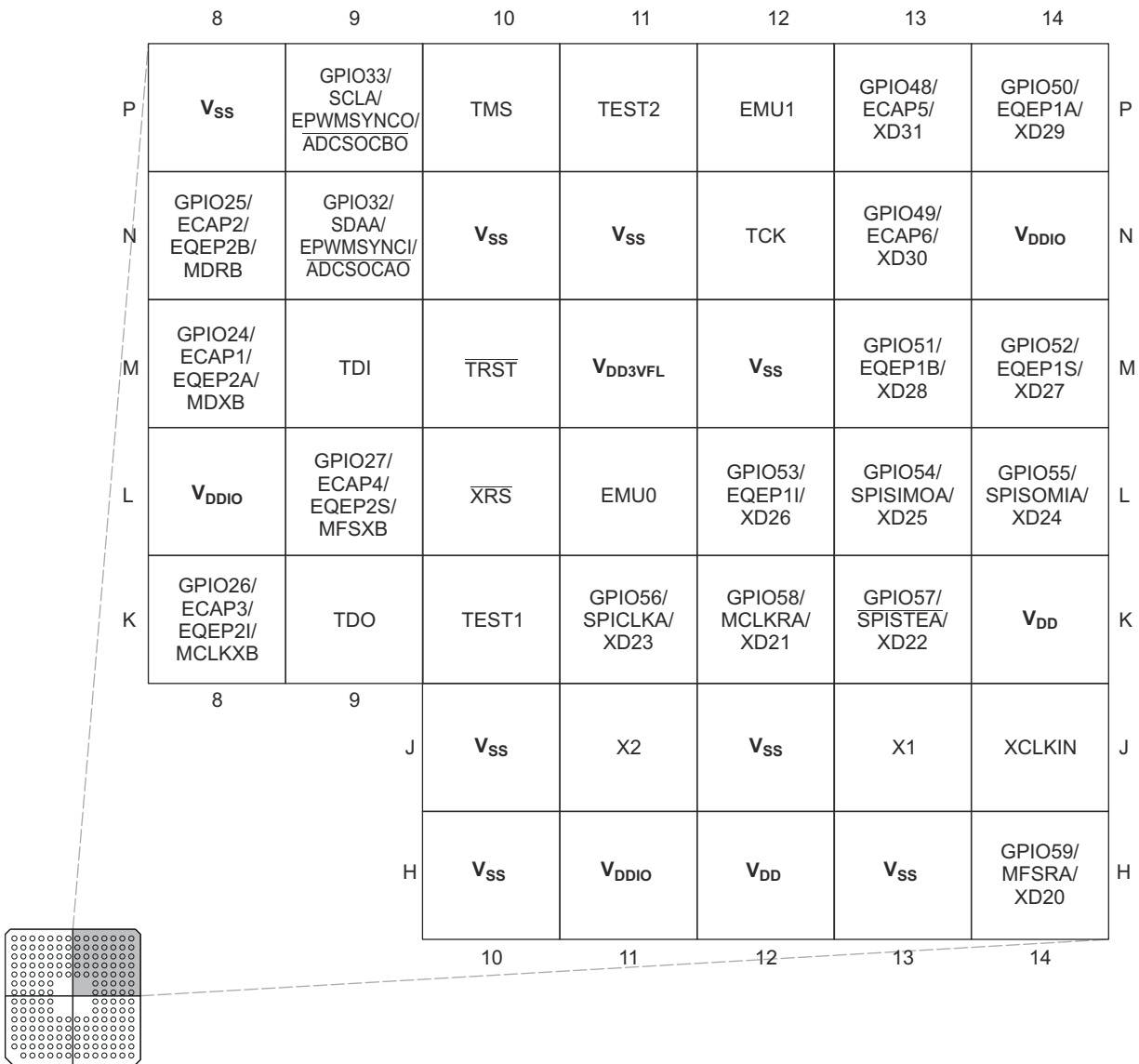


Figure 6-3. F2833x, F2823x 179-Ball ZHH MicroStar BGA (Upper-Right Quadrant) (Bottom View)

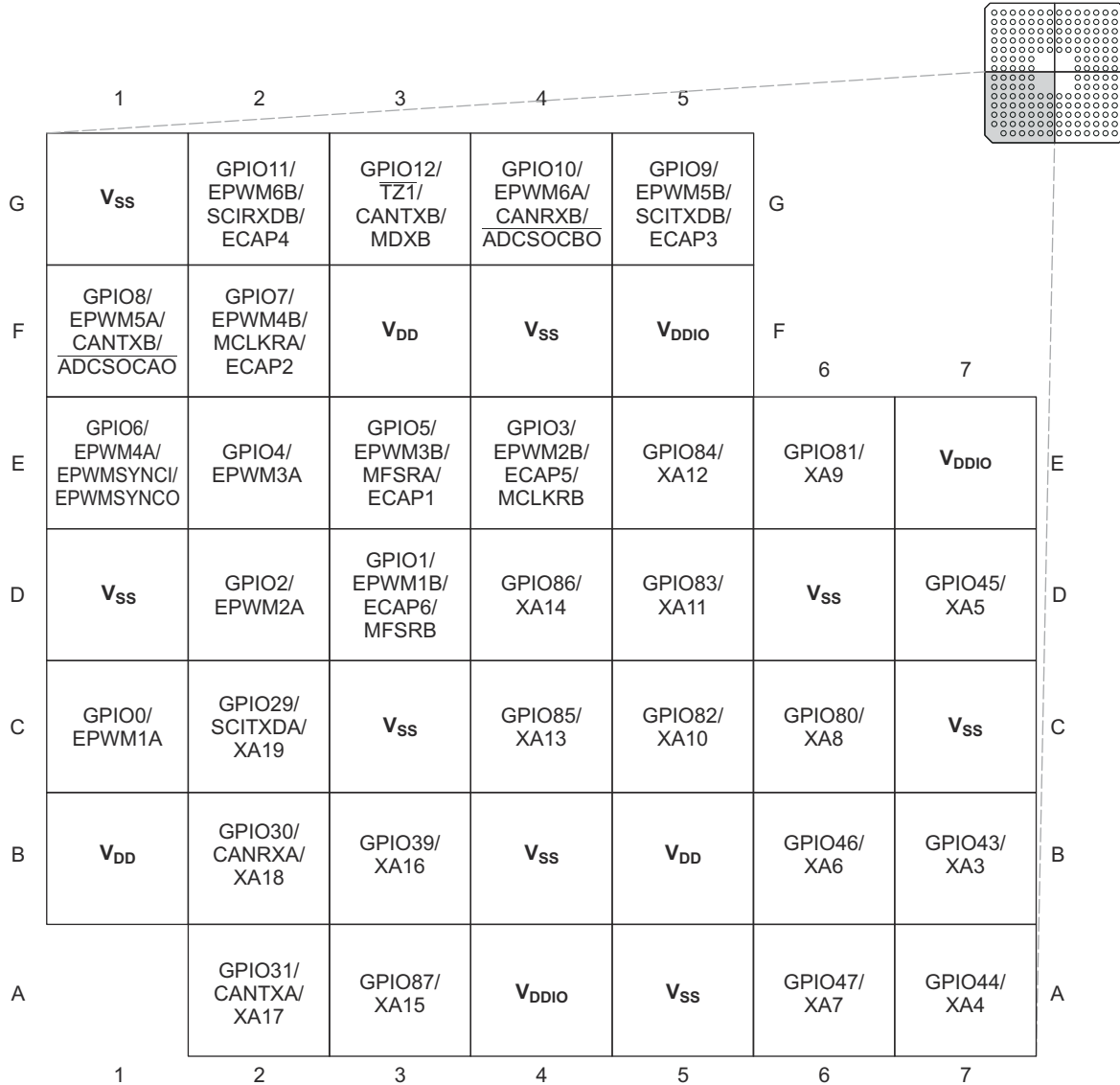


Figure 6-4. F2833x, F2823x 179-Ball ZHH MicroStar BGA (Lower-Left Quadrant) (Bottom View)

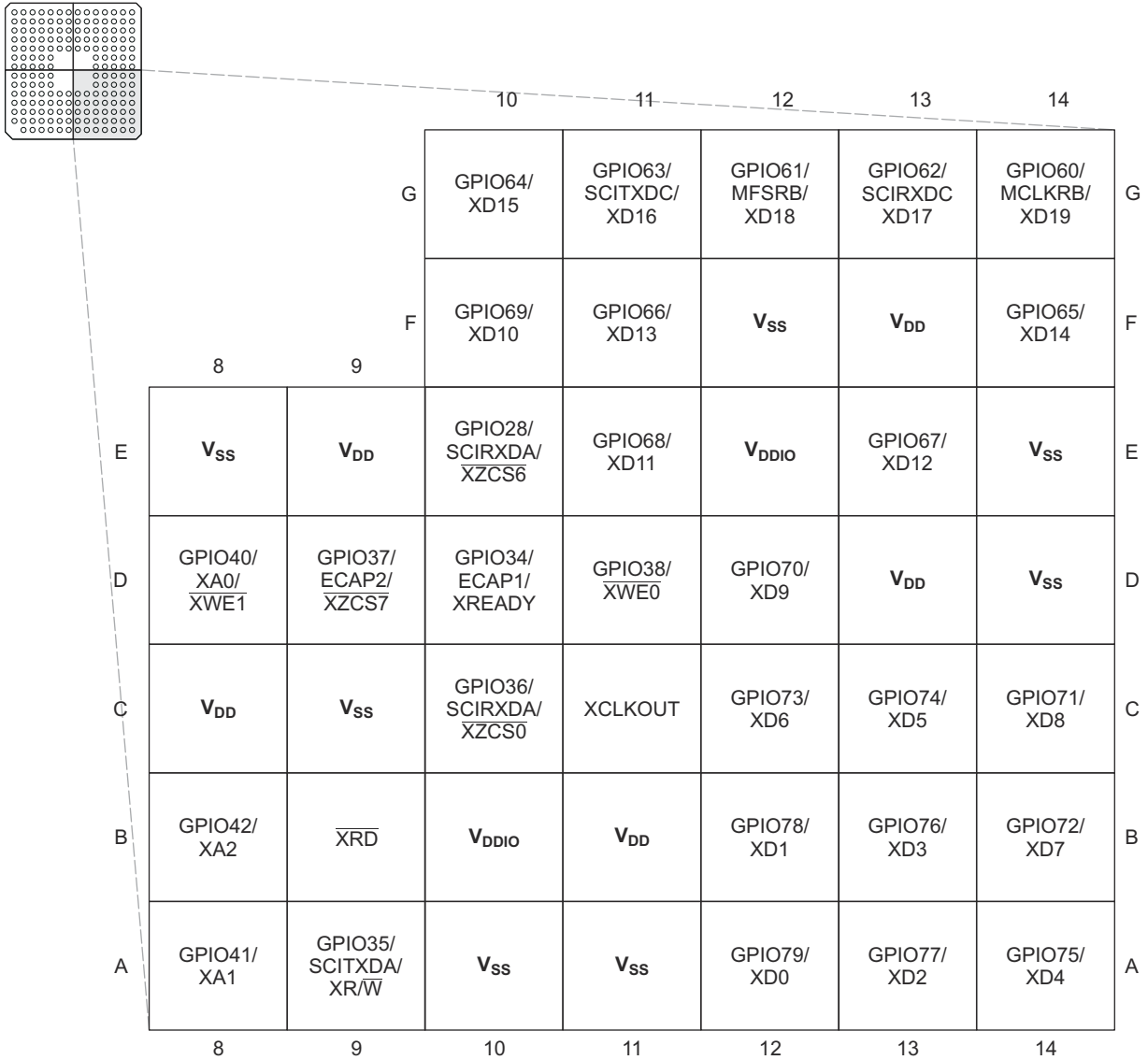


Figure 6-5. F2833x, F2823x 179-Ball ZHH MicroStar BGA (Lower-Right Quadrant) (Bottom View)

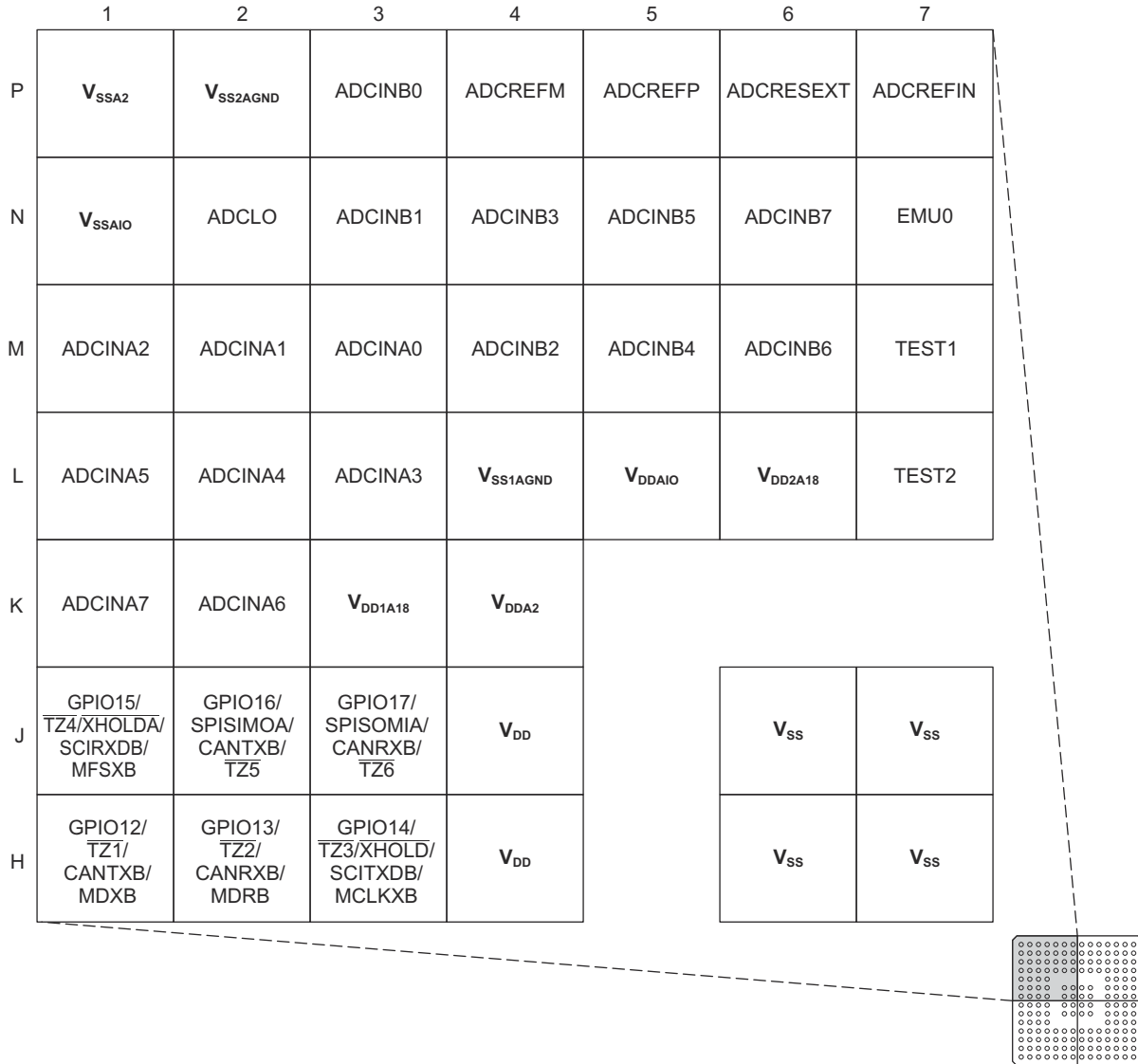


Figure 6-6. F2833x, F2823x 176-Ball ZJZ Plastic BGA (Upper-Left Quadrant) (Bottom View)

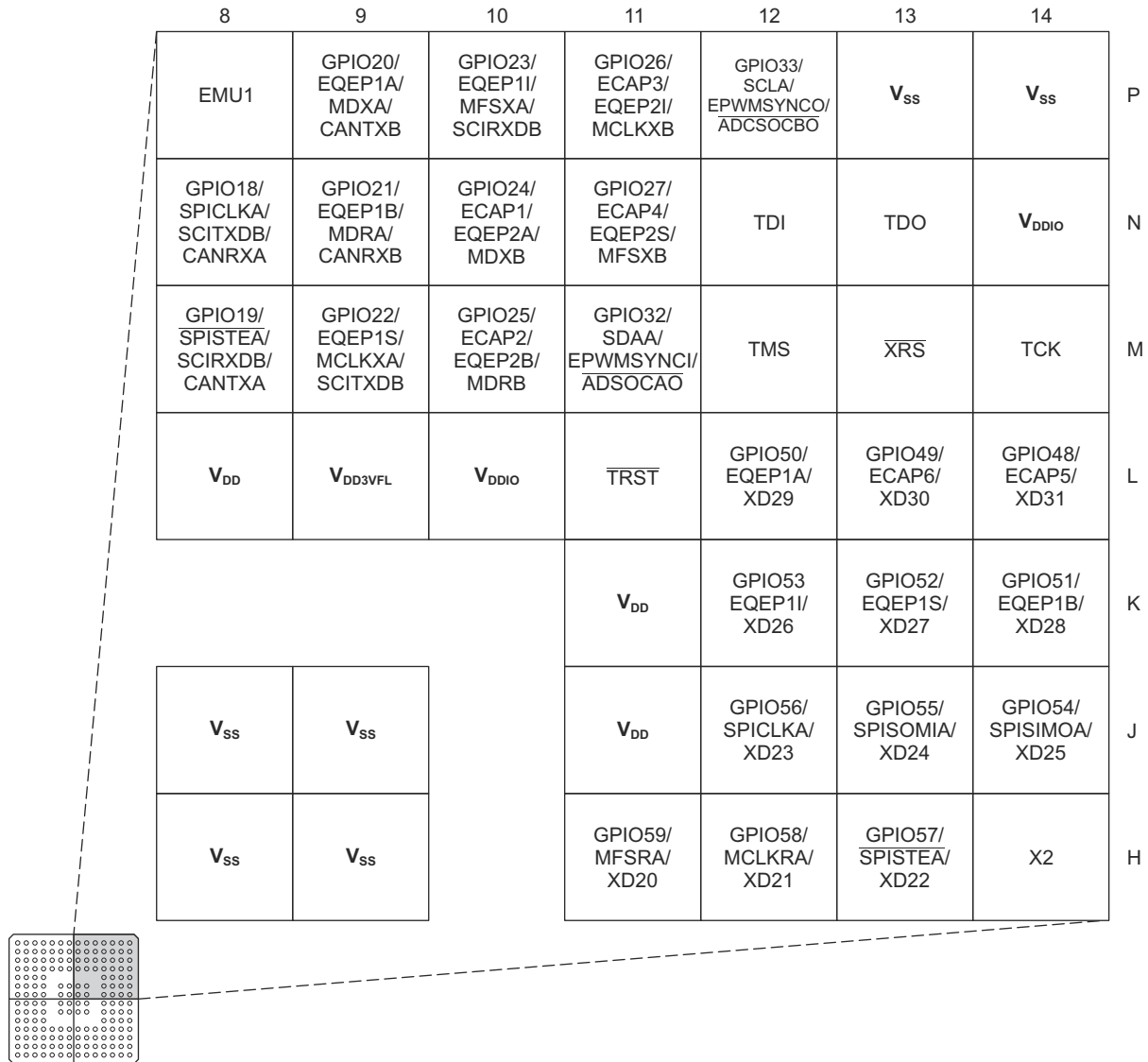


Figure 6-7. F2833x, F2823x 176-Ball ZJZ Plastic BGA (Upper-Right Quadrant) (Bottom View)

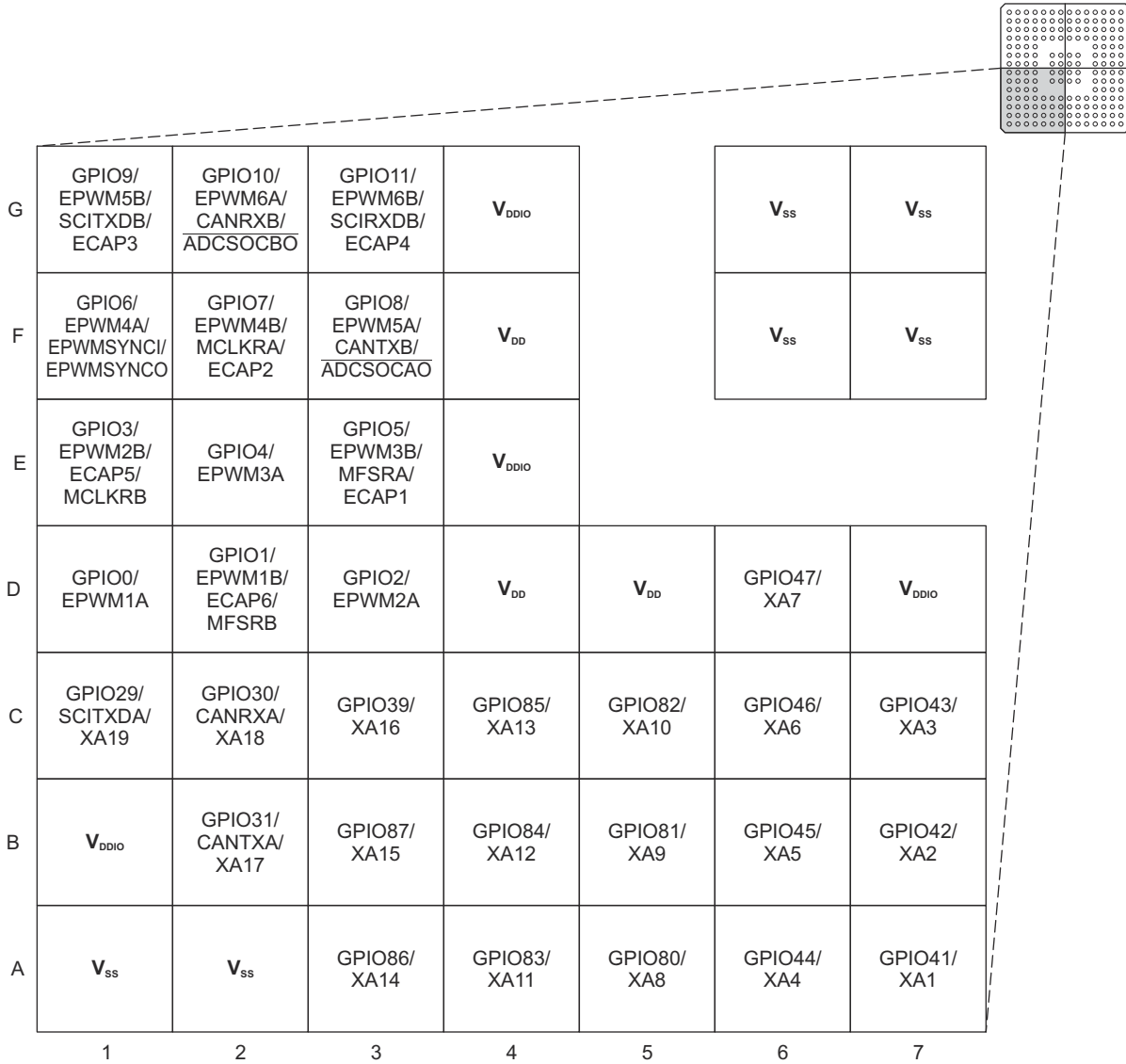


Figure 6-8. F2833x, F2823x 176-Ball ZJZ Plastic BGA (Lower-Left Quadrant) (Bottom View)

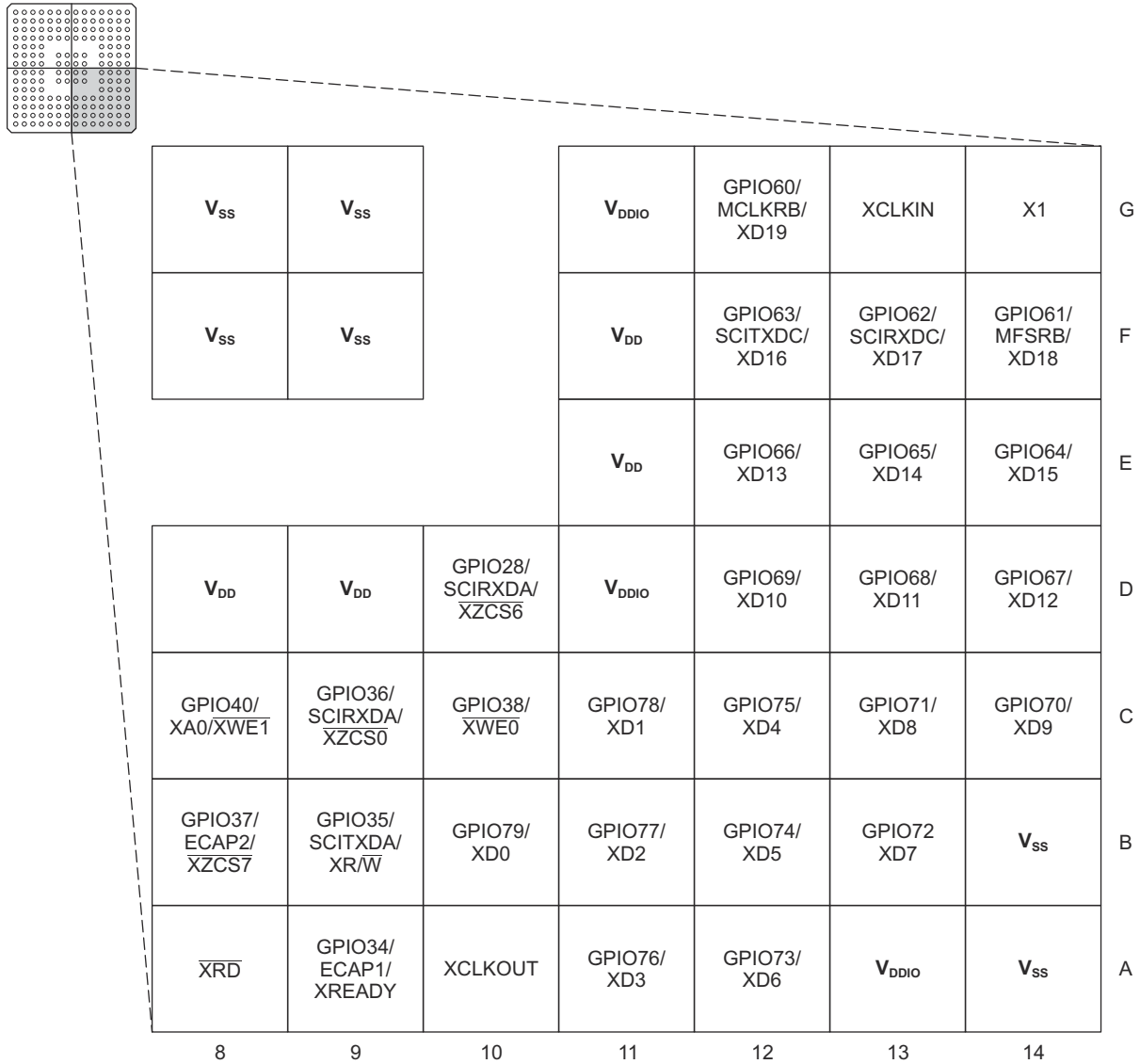


Figure 6-9. F2833x, F2823x 176-Ball ZJZ Plastic BGA (Lower-Right Quadrant) (Bottom View)

6.2 Signal Descriptions

Table 6-1 describes the signals. The GPIO function (shown in *italics*) is the default at reset. The peripheral signals that are listed under them are alternate functions. Some peripheral functions may not be available in all devices. See Table 5-1 and Table 5-2 for details. Inputs are not 5-V tolerant. All pins capable of producing an XINTF output function have a drive strength of 8 mA (typical). This is true even if the pin is not configured for XINTF functionality. All other pins have a drive strength of 4-mA drive typical (unless otherwise indicated). All GPIO pins are I/O/Z and have an internal pullup, which can be selectively enabled or disabled on a per-pin basis. This feature only applies to the GPIO pins. The pullups on GPIO0–GPIO11 pins are not enabled at reset. The pullups on GPIO12–GPIO87 are enabled upon reset.

Table 6-1. Signal Descriptions

NAME	PIN NO.			DESCRIPTION ⁽¹⁾
	PGF, PTP PIN #	ZHH BALL #	ZJZ BALL #	
JTAG				
$\overline{\text{TRST}}$	78	M10	L11	JTAG test reset with internal pulldown. $\overline{\text{TRST}}$, when driven high, gives the scan system control of the operations of the device. If this signal is not connected or driven low, the device operates in its functional mode, and the test reset signals are ignored. NOTE: $\overline{\text{TRST}}$ is an active high test pin and must be maintained low at all times during normal device operation. An external pulldown resistor is required on this pin. The value of this resistor should be based on drive strength of the debugger pods applicable to the design. A 2.2-k Ω resistor generally offers adequate protection. Because this is application-specific, TI recommends validating each target board for proper operation of the debugger and the application. (I, \downarrow)
TCK	87	N12	M14	JTAG test clock with internal pullup (I, \uparrow)
TMS	79	P10	M12	JTAG test-mode select (TMS) with internal pullup. This serial control input is clocked into the TAP controller on the rising edge of TCK. (I, \uparrow)
TDI	76	M9	N12	JTAG test data input (TDI) with internal pullup. TDI is clocked into the selected register (instruction or data) on a rising edge of TCK. (I, \uparrow)
TDO	77	K9	N13	JTAG scan out, test data output (TDO). The contents of the selected register (instruction or data) are shifted out of TDO on the falling edge of TCK. (O/Z 8 mA drive)
EMU0	85	L11	N7	Emulator pin 0. When $\overline{\text{TRST}}$ is driven high, this pin is used as an interrupt to or from the emulator system and is defined as input/output through the JTAG scan. This pin is also used to put the device into boundary-scan mode. With the EMU0 pin at a logic-high state and the EMU1 pin at a logic-low state, a rising edge on the $\overline{\text{TRST}}$ pin would latch the device into boundary-scan mode. (I/O/Z, 8 mA drive \uparrow) NOTE: An external pullup resistor is required on this pin. The value of this resistor should be based on the drive strength of the debugger pods applicable to the design. A 2.2-k Ω to 4.7-k Ω resistor is generally adequate. Because this is application-specific, TI recommends validating each target board for proper operation of the debugger and the application.
EMU1	86	P12	P8	Emulator pin 1. When $\overline{\text{TRST}}$ is driven high, this pin is used as an interrupt to or from the emulator system and is defined as input/output through the JTAG scan. This pin is also used to put the device into boundary-scan mode. With the EMU0 pin at a logic-high state and the EMU1 pin at a logic-low state, a rising edge on the $\overline{\text{TRST}}$ pin would latch the device into boundary-scan mode. (I/O/Z, 8 mA drive \uparrow) NOTE: An external pullup resistor is required on this pin. The value of this resistor should be based on the drive strength of the debugger pods applicable to the design. A 2.2-k Ω to 4.7-k Ω resistor is generally adequate. Because this is application-specific, TI recommends validating each target board for proper operation of the debugger and the application.
FLASH				
V _{DD3VFL}	84	M11	L9	3.3-V Flash Core Power Pin. This pin should be connected to 3.3 V at all times.
TEST1	81	K10	M7	Test Pin. Reserved for TI. Must be left unconnected. (I/O)
TEST2	82	P11	L7	Test Pin. Reserved for TI. Must be left unconnected. (I/O)

Table 6-1. Signal Descriptions (continued)

NAME	PIN NO.			DESCRIPTION ⁽¹⁾
	PGF, PTP PIN #	ZHH BALL #	ZJZ BALL #	
CLOCK				
XCLKOUT	138	C11	A10	Output clock derived from SYSCLKOUT. XCLKOUT is either the same frequency, one-half the frequency, or one-fourth the frequency of SYSCLKOUT. This is controlled by bits 18:16 (XTIMCLK) and bit 2 (CLKMODE) in the XINTCNF2 register. At reset, XCLKOUT = SYSCLKOUT/4. The XCLKOUT signal can be turned off by setting XINTCNF2[CLKOFF] to 1. Unlike other GPIO pins, the XCLKOUT pin is not placed in high-impedance state during a reset. (O/Z, 8 mA drive).
XCLKIN	105	J14	G13	External Oscillator Input. This pin is to feed a clock from an external 3.3-V oscillator. In this case, the X1 pin must be tied to GND. If a crystal/resonator is used (or if an external 1.9-V oscillator is used to feed clock to X1 pin), this pin must be tied to GND. (I)
X1	104	J13	G14	Internal/External Oscillator Input. To use the internal oscillator, a quartz crystal or a ceramic resonator may be connected across X1 and X2. The X1 pin is referenced to the 1.9-V/1.8-V core digital power supply. A 1.9-V/1.8-V external oscillator may be connected to the X1 pin. In this case, the XCLKIN pin must be connected to ground. If a 3.3-V external oscillator is used with the XCLKIN pin, X1 must be tied to GND. (I)
X2	102	J11	H14	Internal Oscillator Output. A quartz crystal or a ceramic resonator may be connected across X1 and X2. If X2 is not used, it must be left unconnected. (O)
RESET				
$\overline{\text{XRS}}$	80	L10	M13	Device Reset (in) and Watchdog Reset (out). Device reset. $\overline{\text{XRS}}$ causes the device to terminate execution. The PC will point to the address contained at the location 0x3FFFC0. When $\overline{\text{XRS}}$ is brought to a high level, execution begins at the location pointed to by the PC. This pin is driven low by the DSC when a watchdog reset occurs. During watchdog reset, the $\overline{\text{XRS}}$ pin is driven low for the watchdog reset duration of 512 OSCCLK cycles. (I/OD, \uparrow) The output buffer of this pin is an open drain with an internal pullup. If this pin is driven by an external device, it should be done using an open-drain device.
ADC SIGNALS				
ADCINA7	35	K4	K1	ADC Group A, Channel 7 input (I)
ADCINA6	36	J5	K2	ADC Group A, Channel 6 input (I)
ADCINA5	37	L1	L1	ADC Group A, Channel 5 input (I)
ADCINA4	38	L2	L2	ADC Group A, Channel 4 input (I)
ADCINA3	39	L3	L3	ADC Group A, Channel 3 input (I)
ADCINA2	40	M1	M1	ADC Group A, Channel 2 input (I)
ADCINA1	41	N1	M2	ADC Group A, Channel 1 input (I)
ADCINA0	42	M3	M3	ADC Group A, Channel 0 input (I)
ADCINB7	53	K5	N6	ADC Group B, Channel 7 input (I)
ADCINB6	52	P4	M6	ADC Group B, Channel 6 input (I)
ADCINB5	51	N4	N5	ADC Group B, Channel 5 input (I)
ADCINB4	50	M4	M5	ADC Group B, Channel 4 input (I)
ADCINB3	49	L4	N4	ADC Group B, Channel 3 input (I)
ADCINB2	48	P3	M4	ADC Group B, Channel 2 input (I)
ADCINB1	47	N3	N3	ADC Group B, Channel 1 input (I)
ADCINB0	46	P2	P3	ADC Group B, Channel 0 input (I)
ADCLO	43	M2	N2	Low Reference (connect to analog ground) (I)
ADCRESEXT	57	M5	P6	ADC External Current Bias Resistor. Connect a 22-k Ω resistor to analog ground.
ADCREFIN	54	L5	P7	External reference input (I)

Table 6-1. Signal Descriptions (continued)

NAME	PIN NO.			DESCRIPTION ⁽¹⁾
	PGF, PTP PIN #	ZHH BALL #	ZJZ BALL #	
ADCREFP	56	P5	P5	Internal Reference Positive Output. Requires a low ESR (under 1.5 Ω) ceramic bypass capacitor of 2.2 μF to analog ground. (O) NOTE: Use the ADC Clock rate to derive the ESR specification from the capacitor data sheet that is used in the system.
ADCREFM	55	N5	P4	Internal Reference Medium Output. Requires a low ESR (under 1.5 Ω) ceramic bypass capacitor of 2.2 μF to analog ground. (O) NOTE: Use the ADC Clock rate to derive the ESR specification from the capacitor data sheet that is used in the system.
CPU AND I/O POWER PINS				
V _{DDA2}	34	K2	K4	ADC Analog Power Pin
V _{SSA2}	33	K3	P1	ADC Analog Ground Pin
V _{DDAIO}	45	N2	L5	ADC Analog I/O Power Pin
V _{SSAIO}	44	P1	N1	ADC Analog I/O Ground Pin
V _{DD1A18}	31	J4	K3	ADC Analog Power Pin
V _{SS1AGND}	32	K1	L4	ADC Analog Ground Pin
V _{DD2A18}	59	M6	L6	ADC Analog Power Pin
V _{SS2AGND}	58	K6	P2	ADC Analog Ground Pin
V _{DD}	4	B1	D4	CPU and Logic Digital Power Pins
V _{DD}	15	B5	D5	
V _{DD}	23	B11	D8	
V _{DD}	29	C8	D9	
V _{DD}	61	D13	E11	
V _{DD}	101	E9	F4	
V _{DD}	109	F3	F11	
V _{DD}	117	F13	H4	
V _{DD}	126	H1	J4	
V _{DD}	139	H12	J11	
V _{DD}	146	J2	K11	
V _{DD}	154	K14	L8	
V _{DD}	167	N6		
V _{DDIO}	9	A4	A13	
V _{DDIO}	71	B10	B1	
V _{DDIO}	93	E7	D7	
V _{DDIO}	107	E12	D11	
V _{DDIO}	121	F5	E4	
V _{DDIO}	143	L8	G4	
V _{DDIO}	159	H11	G11	
V _{DDIO}	170	N14	L10	
V _{DDIO}			N14	

Table 6-1. Signal Descriptions (continued)

NAME	PIN NO.			DESCRIPTION ⁽¹⁾
	PGF, PTP PIN #	ZHH BALL #	ZJZ BALL #	
V _{SS}	3	A5	A1	Digital Ground Pins
V _{SS}	8	A10	A2	
V _{SS}	14	A11	A14	
V _{SS}	22	B4	B14	
V _{SS}	30	C3	F6	
V _{SS}	60	C7	F7	
V _{SS}	70	C9	F8	
V _{SS}	83	D1	F9	
V _{SS}	92	D6	G6	
V _{SS}	103	D14	G7	
V _{SS}	106	E8	G8	
V _{SS}	108	E14	G9	
V _{SS}	118	F4	H6	
V _{SS}	120	F12	H7	
V _{SS}	125	G1	H8	
V _{SS}	140	H10	H9	
V _{SS}	144	H13	J6	
V _{SS}	147	J3	J7	
V _{SS}	155	J10	J8	
V _{SS}	160	J12	J9	
V _{SS}	166	M12	P13	
V _{SS}	171	N10	P14	
V _{SS}		N11		
V _{SS}		P6		
V _{SS}		P8		
GPIO AND PERIPHERAL SIGNALS				
GPIO0 EPWM1A - -	5	C1	D1	General-purpose input/output 0 (I/O/Z) Enhanced PWM1 Output A and HRPWM channel (O) - -
GPIO1 EPWM1B ECAP6 MFSRB	6	D3	D2	General-purpose input/output 1 (I/O/Z) Enhanced PWM1 Output B (O) Enhanced Capture 6 input/output (I/O) McBSP-B receive frame synch (I/O)
GPIO2 EPWM2A - -	7	D2	D3	General-purpose input/output 2 (I/O/Z) Enhanced PWM2 Output A and HRPWM channel (O) - -
GPIO3 EPWM2B ECAP5 MCLKRB	10	E4	E1	General-purpose input/output 3 (I/O/Z) Enhanced PWM2 Output B (O) Enhanced Capture 5 input/output (I/O) McBSP-B receive clock (I/O)
GPIO4 EPWM3A - -	11	E2	E2	General-purpose input/output 4 (I/O/Z) Enhanced PWM3 output A and HRPWM channel (O) - -

Table 6-1. Signal Descriptions (continued)

NAME	PIN NO.			DESCRIPTION ⁽¹⁾
	PGF, PTP PIN #	ZHH BALL #	ZJZ BALL #	
GPIO5 EPWM3B MFSRA ECAP1	12	E3	E3	General-purpose input/output 5 (I/O/Z) Enhanced PWM3 output B (O) McBSP-A receive frame synch (I/O) Enhanced Capture input/output 1 (I/O)
GPIO6 EPWM4A EPWMSYNCI EPWMSYNCO	13	E1	F1	General-purpose input/output 6 (I/O/Z) Enhanced PWM4 output A and HRPWM channel (O) External ePWM sync pulse input (I) External ePWM sync pulse output (O)
GPIO7 EPWM4B MCLKRA ECAP2	16	F2	F2	General-purpose input/output 7 (I/O/Z) Enhanced PWM4 output B (O) McBSP-A receive clock (I/O) Enhanced capture input/output 2 (I/O)
GPIO8 EPWM5A CANTXB ADCSOCAO	17	F1	F3	General-purpose Input/Output 8 (I/O/Z) Enhanced PWM5 output A and HRPWM channel (O) Enhanced CAN-B transmit (O) ADC start-of-conversion A (O)
GPIO9 EPWM5B SCITXDB ECAP3	18	G5	G1	General-purpose input/output 9 (I/O/Z) Enhanced PWM5 output B (O) SCI-B transmit data(O) Enhanced capture input/output 3 (I/O)
GPIO10 EPWM6A CANRXB ADCSOCBO	19	G4	G2	General-purpose input/output 10 (I/O/Z) Enhanced PWM6 output A and HRPWM channel (O) Enhanced CAN-B receive (I) ADC start-of-conversion B (O)
GPIO11 EPWM6B SCIRXDB ECAP4	20	G2	G3	General-purpose input/output 11 (I/O/Z) Enhanced PWM6 output B (O) SCI-B receive data (I) Enhanced CAP Input/Output 4 (I/O)
GPIO12 TZ1 CANTXB MDXB	21	G3	H1	General-purpose input/output 12 (I/O/Z) Trip Zone input 1 (I) Enhanced CAN-B transmit (O) McBSP-B transmit serial data (O)
GPIO13 TZ2 CANRXB MDRB	24	H3	H2	General-purpose input/output 13 (I/O/Z) Trip Zone input 2 (I) Enhanced CAN-B receive (I) McBSP-B receive serial data (I)
GPIO14 TZ3/ XHOLD SCITXDB MCLKXB	25	H2	H3	General-purpose input/output 14 (I/O/Z) Trip Zone input 3/External Hold Request. XHOLD, when active (low), requests the external interface (XINTF) to release the external bus and place all buses and strobes into a high-impedance state. To prevent this from happening when TZ3 signal goes active, disable this function by writing XINTCNF2[HOLD] = 1. If this is not done, the XINTF bus will go into high impedance anytime TZ3 goes low. On the ePWM side, TZn signals are ignored by default, unless they are enabled by the code. The XINTF will release the bus when any current access is complete and there are no pending accesses on the XINTF. (I) SCI-B Transmit (O) McBSP-B transmit clock (I/O)

Table 6-1. Signal Descriptions (continued)

NAME	PIN NO.			DESCRIPTION ⁽¹⁾
	PGF, PTP PIN #	ZHH BALL #	ZJZ BALL #	
GPIO15 TZ4/ XHOLDA SCIRXDB MFSXB	26	H4	J1	General-purpose input/output 15 (I/O/Z) Trip Zone input 4/External Hold Acknowledge. The pin function for this option is based on the direction chosen in the GPADIR register. If the pin is configured as an input, then TZ4 function is chosen. If the pin is configured as an output, then XHOLDA function is chosen. XHOLDA is driven active (low) when the XINTF has granted an XHOLD request. All XINTF buses and strobe signals will be in a high-impedance state. XHOLDA is released when the XHOLD signal is released. External devices should only drive the external bus when XHOLDA is active (low). (I/O) SCI-B receive (I) McBSP-B transmit frame synch (I/O)
GPIO16 SPISIMOA CANTXB TZ5	27	H5	J2	General-purpose input/output 16 (I/O/Z) SPI slave in, master out (I/O) Enhanced CAN-B transmit (O) Trip Zone input 5 (I)
GPIO17 SPISOMIA CANRXB TZ6	28	J1	J3	General-purpose input/output 17 (I/O/Z) SPI-A slave out, master in (I/O) Enhanced CAN-B receive (I) Trip zone input 6 (I)
GPIO18 SPICLKA SCITXDB CANRXA	62	L6	N8	General-purpose input/output 18 (I/O/Z) SPI-A clock input/output (I/O) SCI-B transmit (O) Enhanced CAN-A receive (I)
GPIO19 SPISTEA SCIRXDB CANTXA	63	K7	M8	General-purpose input/output 19 (I/O/Z) SPI-A slave transmit enable input/output (I/O) SCI-B receive (I) Enhanced CAN-A transmit (O)
GPIO20 EQEP1A MDXA CANTXB	64	L7	P9	General-purpose input/output 20 (I/O/Z) Enhanced QEP1 input A (I) McBSP-A transmit serial data (O) Enhanced CAN-B transmit (O)
GPIO21 EQEP1B MDRA CANRXB	65	P7	N9	General-purpose input/output 21 (I/O/Z) Enhanced QEP1 input B (I) McBSP-A receive serial data (I) Enhanced CAN-B receive (I)
GPIO22 EQEP1S MCLKXA SCITXDB	66	N7	M9	General-purpose input/output 22 (I/O/Z) Enhanced QEP1 strobe (I/O) McBSP-A transmit clock (I/O) SCI-B transmit (O)
GPIO23 EQEP1I MFSXA SCIRXDB	67	M7	P10	General-purpose input/output 23 (I/O/Z) Enhanced QEP1 index (I/O) McBSP-A transmit frame synch (I/O) SCI-B receive (I)
GPIO24 ECAP1 EQEP2A MDXB	68	M8	N10	General-purpose input/output 24 (I/O/Z) Enhanced capture 1 (I/O) Enhanced QEP2 input A (I) McBSP-B transmit serial data (O)
GPIO25 ECAP2 EQEP2B MDRB	69	N8	M10	General-purpose input/output 25 (I/O/Z) Enhanced capture 2 (I/O) Enhanced QEP2 input B (I) McBSP-B receive serial data (I)
GPIO26 ECAP3 EQEP2I MCLKXB	72	K8	P11	General-purpose input/output 26 (I/O/Z) Enhanced capture 3 (I/O) Enhanced QEP2 index (I/O) McBSP-B transmit clock (I/O)

Table 6-1. Signal Descriptions (continued)

NAME	PIN NO.			DESCRIPTION ⁽¹⁾
	PGF, PTP PIN #	ZHH BALL #	ZJZ BALL #	
GPIO27 ECAP4 EQEP2S MFSXB	73	L9	N11	General-purpose input/output 27 (I/O/Z) Enhanced capture 4 (I/O) Enhanced QEP2 strobe (I/O) McBSP-B transmit frame synch (I/O)
GPIO28 SCIRXDA XZCS6	141	E10	D10	General-purpose input/output 28 (I/O/Z) SCI receive data (I) External Interface zone 6 chip select (O)
GPIO29 SCITXDA XA19	2	C2	C1	General-purpose input/output 29. (I/O/Z) SCI transmit data (O) External Interface Address Line 19 (O)
GPIO30 CANRXA XA18	1	B2	C2	General-purpose input/output 30 (I/O/Z) Enhanced CAN-A receive (I) External Interface Address Line 18 (O)
GPIO31 CANTXA XA17	176	A2	B2	General-purpose input/output 31 (I/O/Z) Enhanced CAN-A transmit (O) External Interface Address Line 17 (O)
GPIO32 SDAA EPWMSYNCI ADCSOCA0	74	N9	M11	General-purpose input/output 32 (I/O/Z) I2C data open-drain bidirectional port (I/OD) Enhanced PWM external sync pulse input (I) ADC start-of-conversion A (O)
GPIO33 SCLA EPWMSYNCO ADCSOCB0	75	P9	P12	General-purpose Input/Output 33 (I/O/Z) I2C clock open-drain bidirectional port (I/OD) Enhanced PWM external synch pulse output (O) ADC start-of-conversion B (O)
GPIO34 ECAP1 XREADY	142	D10	A9	General-purpose Input/Output 34 (I/O/Z) Enhanced Capture input/output 1 (I/O) External Interface Ready signal. Note that this pin is always (directly) connected to the XINTF. If an application uses this pin as a GPIO while also using the XINTF, it should configure the XINTF to ignore READY.
GPIO35 SCITXDA XR/ W	148	A9	B9	General-purpose Input/Output 35 (I/O/Z) SCI-A transmit data (O) External Interface read, not write strobe
GPIO36 SCIRXDA XZCS0	145	C10	C9	General-purpose Input/Output 36 (I/O/Z) SCI receive data (I) External Interface zone 0 chip select (O)
GPIO37 ECAP2 XZCS7	150	D9	B8	General-purpose Input/Output 37 (I/O/Z) Enhanced Capture input/output 2 (I/O) External Interface zone 7 chip select (O)
GPIO38 - XWE0	137	D11	C10	General-purpose Input/Output 38 (I/O/Z) - External Interface Write Enable 0 (O)
GPIO39 - XA16	175	B3	C3	General-purpose Input/Output 39 (I/O/Z) - External Interface Address Line 16 (O)
GPIO40 - XA0/ XWE1	151	D8	C8	General-purpose Input/Output 40 (I/O/Z) - External Interface Address Line 0/External Interface Write Enable 1 (O)
GPIO41 - XA1	152	A8	A7	General-purpose Input/Output 41 (I/O/Z) - External Interface Address Line 1 (O)
GPIO42 - XA2	153	B8	B7	General-purpose Input/Output 42 (I/O/Z) - External Interface Address Line 2 (O)

Table 6-1. Signal Descriptions (continued)

NAME	PIN NO.			DESCRIPTION ⁽¹⁾
	PGF, PTP PIN #	ZHH BALL #	ZJZ BALL #	
GPIO43 - XA3	156	B7	C7	General-purpose Input/Output 43 (I/O/Z) - External Interface Address Line 3 (O)
GPIO44 - XA4	157	A7	A6	General-purpose Input/Output 44 (I/O/Z) - External Interface Address Line 4 (O)
GPIO45 - XA5	158	D7	B6	General-purpose Input/Output 45 (I/O/Z) - External Interface Address Line 5 (O)
GPIO46 - XA6	161	B6	C6	General-purpose Input/Output 46 (I/O/Z) - External Interface Address Line 6 (O)
GPIO47 - XA7	162	A6	D6	General-purpose Input/Output 47 (I/O/Z) - External Interface Address Line 7 (O)
GPIO48 ECAP5 XD31	88	P13	L14	General-purpose Input/Output 48 (I/O/Z) Enhanced Capture input/output 5 (I/O) External Interface Data Line 31 (I/O/Z)
GPIO49 ECAP6 XD30	89	N13	L13	General-purpose Input/Output 49 (I/O/Z) Enhanced Capture input/output 6 (I/O) External Interface Data Line 30 (I/O/Z)
GPIO50 EQEP1A XD29	90	P14	L12	General-purpose Input/Output 50 (I/O/Z) Enhanced QEP1 input A (I) External Interface Data Line 29 (I/O/Z)
GPIO51 EQEP1B XD28	91	M13	K14	General-purpose Input/Output 51 (I/O/Z) Enhanced QEP1 input B (I) External Interface Data Line 28 (I/O/Z)
GPIO52 EQEP1S XD27	94	M14	K13	General-purpose Input/Output 52 (I/O/Z) Enhanced QEP1 Strobe (I/O) External Interface Data Line 27 (I/O/Z)
GPIO53 EQEP1I XD26	95	L12	K12	General-purpose Input/Output 53 (I/O/Z) Enhanced QEP1 Index (I/O) External Interface Data Line 26 (I/O/Z)
GPIO54 SPISIMOA XD25	96	L13	J14	General-purpose Input/Output 54 (I/O/Z) SPI-A slave in, master out (I/O) External Interface Data Line 25 (I/O/Z)
GPIO55 SPISOMIA XD24	97	L14	J13	General-purpose Input/Output 55 (I/O/Z) SPI-A slave out, master in (I/O) External Interface Data Line 24 (I/O/Z)
GPIO56 SPICLKA XD23	98	K11	J12	General-purpose Input/Output 56 (I/O/Z) SPI-A clock (I/O) External Interface Data Line 23 (I/O/Z)
GPIO57 SPISTEA XD22	99	K13	H13	General-purpose Input/Output 57 (I/O/Z) SPI-A slave transmit enable (I/O) External Interface Data Line 22 (I/O/Z)
GPIO58 MCLKRA XD21	100	K12	H12	General-purpose Input/Output 58 (I/O/Z) McBSP-A receive clock (I/O) External Interface Data Line 21 (I/O/Z)
GPIO59 MFSRA XD20	110	H14	H11	General-purpose Input/Output 59 (I/O/Z) McBSP-A receive frame synch (I/O) External Interface Data Line 20 (I/O/Z)
GPIO60 MCLKRB XD19	111	G14	G12	General-purpose Input/Output 60 (I/O/Z) McBSP-B receive clock (I/O) External Interface Data Line 19 (I/O/Z)

Table 6-1. Signal Descriptions (continued)

NAME	PIN NO.			DESCRIPTION ⁽¹⁾
	PGF, PTP PIN #	ZHH BALL #	ZJZ BALL #	
GPIO61 MFSRB XD18	112	G12	F14	General-purpose Input/Output 61 (I/O/Z) McBSP-B receive frame synch (I/O) External Interface Data Line 18 (I/O/Z)
GPIO62 SCIRXDC XD17	113	G13	F13	General-purpose Input/Output 62 (I/O/Z) SCI-C receive data (I) External Interface Data Line 17 (I/O/Z)
GPIO63 SCITXDC XD16	114	G11	F12	General-purpose Input/Output 63 (I/O/Z) SCI-C transmit data (O) External Interface Data Line 16 (I/O/Z)
GPIO64 - XD15	115	G10	E14	General-purpose Input/Output 64 (I/O/Z) - External Interface Data Line 15 (I/O/Z)
GPIO65 - XD14	116	F14	E13	General-purpose Input/Output 65 (I/O/Z) - External Interface Data Line 14 (I/O/Z)
GPIO66 - XD13	119	F11	E12	General-purpose Input/Output 66 (I/O/Z) - External Interface Data Line 13 (I/O/Z)
GPIO67 - XD12	122	E13	D14	General-purpose Input/Output 67 (I/O/Z) - External Interface Data Line 12 (I/O/Z)
GPIO68 - XD11	123	E11	D13	General-purpose Input/Output 68 (I/O/Z) - External Interface Data Line 11 (I/O/Z)
GPIO69 - XD10	124	F10	D12	General-purpose Input/Output 69 (I/O/Z) - External Interface Data Line 10 (I/O/Z)
GPIO70 - XD9	127	D12	C14	General-purpose Input/Output 70 (I/O/Z) - External Interface Data Line 9 (I/O/Z)
GPIO71 - XD8	128	C14	C13	General-purpose Input/Output 71 (I/O/Z) - External Interface Data Line 8 (I/O/Z)
GPIO72 - XD7	129	B14	B13	General-purpose Input/Output 72 (I/O/Z) - External Interface Data Line 7 (I/O/Z)
GPIO73 - XD6	130	C12	A12	General-purpose Input/Output 73 (I/O/Z) - External Interface Data Line 6 (I/O/Z)
GPIO74 - XD5	131	C13	B12	General-purpose Input/Output 74 (I/O/Z) - External Interface Data Line 5 (I/O/Z)
GPIO75 - XD4	132	A14	C12	General-purpose Input/Output 75 (I/O/Z) - External Interface Data Line 4 (I/O/Z)
GPIO76 - XD3	133	B13	A11	General-purpose Input/Output 76 (I/O/Z) - External Interface Data Line 3 (I/O/Z)
GPIO77 - XD2	134	A13	B11	General-purpose Input/Output 77 (I/O/Z) - External Interface Data Line 2 (I/O/Z)
GPIO78 - XD1	135	B12	C11	General-purpose Input/Output 78 (I/O/Z) - External Interface Data Line 1 (I/O/Z)

Table 6-1. Signal Descriptions (continued)

NAME	PIN NO.			DESCRIPTION ⁽¹⁾
	PGF, PTP PIN #	ZHH BALL #	ZJZ BALL #	
GPIO79 - XD0	136	A12	B10	General-purpose Input/Output 79 (I/O/Z) - External Interface Data Line 0 (I/O/Z)
GPIO80 - XA8	163	C6	A5	General-purpose Input/Output 80 (I/O/Z) - External Interface Address Line 8 (O)
GPIO81 - XA9	164	E6	B5	General-purpose Input/Output 81 (I/O/Z) - External Interface Address Line 9 (O)
GPIO82 - XA10	165	C5	C5	General-purpose Input/Output 82 (I/O/Z) - External Interface Address Line 10 (O)
GPIO83 - XA11	168	D5	A4	General-purpose Input/Output 83 (I/O/Z) - External Interface Address Line 11 (O)
GPIO84 - XA12	169	E5	B4	General-purpose Input/Output 84 (I/O/Z) External Interface Address Line 12 (O)
GPIO85 - XA13	172	C4	C4	General-purpose Input/Output 85 (I/O/Z) - External Interface Address Line 13 (O)
GPIO86 - XA14	173	D4	A3	General-purpose Input/Output 86 (I/O/Z) - External Interface Address Line 14 (O)

Table 6-1. Signal Descriptions (continued)

NAME	PIN NO.			DESCRIPTION ⁽¹⁾
	PGF, PTP PIN #	ZHH BALL #	ZJZ BALL #	
GPI087 - XA15	174	A3	B3	General-purpose Input/Output 87 (I/O/Z) - External Interface Address Line 15 (O)
XRD	149	B9	A8	External Interface Read Enable

(1) I = Input, O = Output, Z = High impedance, OD = Open drain, ↑ = Pullup, ↓ = Pulldown

7 Specifications

This section provides the absolute maximum ratings and the recommended operating conditions.

7.1 Absolute Maximum Ratings

Unless otherwise noted, the list of absolute maximum ratings are specified over operating temperature ranges.

		MIN ^{(1) (2)}	MAX	UNIT
Supply voltage	V _{DDIO} , V _{DD3VFL} with respect to V _{SS}	-0.3	4.6	V
	V _{DDA2} , V _{DDAIO} with respect to V _{SSA}	-0.3	4.6	
	V _{DD} with respect to V _{SS}	-0.3	2.5	
	V _{DD1A18} , V _{DD2A18} with respect to V _{SSA}	-0.3	2.5	
	V _{SSA2} , V _{SSAIO} , V _{SS1AGND} , V _{SS2AGND} with respect to V _{SS}	-0.3	0.3	
Input voltage	V _{IN}	-0.3	4.6	V
Output voltage	V _O	-0.3	4.6	V
Input clamp current	I _{IK} (V _{IN} < 0 or V _{IN} > V _{DDIO}) ⁽³⁾	-20	20	mA
Output clamp current	I _{OK} (V _O < 0 or V _O > V _{DDIO})	-20	20	mA
Operating ambient temperature, T _A	A version ⁽⁴⁾	-40	85	°C
	S version	-40	125	
	Q version	-40	125	
Junction temperature	T _J ⁽⁴⁾	-40	150	°C
Storage temperature	T _{stg} ⁽⁴⁾	-65	150	°C

- (1) Stresses beyond those listed under *Absolute Maximum Ratings* may cause permanent damage to the device. These are stress ratings only, and functional operation of the device at these or any other conditions beyond those indicated under [Section 7.4](#) is not implied. Exposure to absolute-maximum-rated conditions for extended periods may affect device reliability.
- (2) All voltage values are with respect to V_{SS}, unless otherwise noted.
- (3) Continuous clamp current per pin is ±2 mA. This includes the analog inputs which have an internal clamping circuit that clamps the voltage to a diode drop above V_{DDA2} or below V_{SSA2}.
- (4) One or both of the following conditions may result in a reduction of overall device life:
 - long-term high-temperature storage
 - extended use at maximum temperature

For additional information, see [Semiconductor and IC package thermal metrics](#).

7.2 ESD Ratings – Automotive

			VALUE	UNIT
TMS320F2833x, TMS320F2823x in PTP Package				
V _(ESD) Electrostatic discharge	Human body model (HBM), per AEC Q100-002 ⁽¹⁾		±2000	V
	Charged-device model (CDM), per AEC Q100-011	All pins	±500	
		Corner pins on 176-pin PTP: 1, 44, 45, 88, 89, 132, 133, 176	±750	
TMS320F2833x, TMS320F2823x in ZJZ Package				
V _(ESD) Electrostatic discharge	Human body model (HBM), per AEC Q100-002 ⁽¹⁾		±2000	V
	Charged-device model (CDM), per AEC Q100-011	All pins	±500	
		Corner pins on 176-ball ZJZ: A1, A14, P1, P14	±750	

(1) AEC Q100-002 indicates HBM stressing is done in accordance with the ANSI/ESDA/JEDEC JS-001 specification.

7.3 ESD Ratings – Commercial

			VALUE	UNIT
TMS320F2833x, TMS320F2823x in PGF Package				
V _(ESD) Electrostatic discharge	Human-body model (HBM), per ANSI/ESDA/JEDEC JS-001 ⁽¹⁾		±2000	V
	Charged-device model (CDM), per JEDEC specification JESD22-C101 ⁽²⁾		±500	
TMS320F2833x, TMS320F2823x in ZHH Package				
V _(ESD) Electrostatic discharge	Human-body model (HBM), per ANSI/ESDA/JEDEC JS-001 ⁽¹⁾		±2000	V
	Charged-device model (CDM), per JEDEC specification JESD22-C101 ⁽²⁾		±500	

(1) JEDEC document JEP155 states that 500-V HBM allows safe manufacturing with a standard ESD control process.

(2) JEDEC document JEP157 states that 250-V CDM allows safe manufacturing with a standard ESD control process.

7.4 Recommended Operating Conditions

over operating free-air temperature range (unless otherwise noted)

		MIN	NOM	MAX	UNIT
Device supply voltage, I/O, V _{DDIO}		3.135	3.3	3.465	V
Device supply voltage CPU, V _{DD}	Device operation @ 150 MHz	1.805	1.9	1.995	V
	Device operation @ 100 MHz	1.71	1.8	1.89	
Supply ground, V _{SS} , V _{SSIO} , V _{SSAIO} , V _{SSA2} , V _{SS1AGND} , V _{SS2AGND}			0		V
ADC supply voltage (3.3 V), V _{DDA2} , V _{DDAIO}		3.135	3.3	3.465	V
ADC supply voltage, V _{DD1A18} , V _{DD2A18}	Device operation @ 150 MHz	1.805	1.9	1.995	V
	Device operation @ 100 MHz	1.71	1.8	1.89	
Flash supply voltage, V _{DD3VFL}		3.135	3.3	3.465	V
Device clock frequency (system clock), f _{SYSCLOCKOUT}	F28335/F28334/F28235/F28234		2	150	MHz
	F28333/F28332/F28232		2	100	
High-level input voltage, V _{IH}	All inputs except X1		2	V _{DDIO}	V
	X1		0.7 * V _{DD} - 0.05	V _{DD}	
Low-level input voltage, V _{IL}	All inputs except X1			0.8	V
	X1			0.3 * V _{DD} + 0.05	
High-level output source current, V _{OH} = 2.4 V, I _{OH}	All I/Os except Group 2			-4	mA
	Group 2 ⁽¹⁾			-8	
Low-level output sink current, V _{OL} = V _{OL MAX} , I _{OL}	All I/Os except Group 2			4	mA
	Group 2 ⁽¹⁾			8	
Ambient temperature, T _A	A version		-40	85	°C
	S version		-40	125	
	Q version		-40	125	
Junction temperature, T _J				125	°C

(1) Group 2 pins are as follows: GPIO28, GPIO29, GPIO30, GPIO31, TDO, XCLKOUT, EMU0, EMU1, XINTF pins, GPIO35-87, XRD.

7.5 Power Consumption Summary

7.5.1 TMS320F28335/F28235 Current Consumption by Power-Supply Pins at 150-MHz SYSCLKOUT

MODE	TEST CONDITIONS	I _{DD}		I _{DDIO} ⁽¹⁾		I _{DD3VFL} ⁽⁹⁾		I _{DDA18} ⁽²⁾		I _{DDA33} ⁽³⁾	
		TYP ⁽⁴⁾	MAX	TYP ⁽⁴⁾	MAX	TYP	MAX	TYP ⁽⁴⁾	MAX	TYP ⁽⁴⁾	MAX
Operational (Flash) ⁽⁶⁾	The following peripheral clocks are enabled: <ul style="list-style-type: none"> • ePWM1, ePWM2, ePWM3, ePWM4, ePWM5, ePWM6 • eCAP1, eCAP2, eCAP3, eCAP4, eCAP5, eCAP6 • eQEP1, eQEP2 • eCAN-A • SCI-A, SCI-B (FIFO mode) • SPI-A (FIFO mode) • ADC • I2C • CPU-Timer 0, CPU-Timer 1, CPU-Timer 2 All PWM pins are toggled at 150 kHz. All I/O pins are left unconnected. ⁽⁵⁾	290 mA	315 mA	30 mA	50 mA	35 mA	40 mA	30 mA	35 mA	1.5 mA	2 mA
IDLE	Flash is powered down. XCLKOUT is turned off. The following peripheral clocks are enabled: <ul style="list-style-type: none"> • eCAN-A • SCI-A • SPI-A • I2C 	100 mA	120 mA	60 μA	120 μA	2 μA	10 μA	5 μA	60 μA	15 μA	20 μA
STANDBY	Flash is powered down. Peripheral clocks are off.	8 mA	15 mA	60 μA	120 μA	2 μA	10 μA	5 μA	60 μA	15 μA	20 μA
HALT ⁽⁸⁾	Flash is powered down. Peripheral clocks are off. Input clock is disabled. ⁽⁷⁾	150 μA		60 μA	120 μA	2 μA	10 μA	5 μA	60 μA	15 μA	20 μA

- (1) I_{DDIO} current is dependent on the electrical loading on the I/O pins.
- (2) I_{DDA18} includes current into V_{DD1A18} and V_{DD2A18} pins. To realize the I_{DDA18} currents shown for IDLE, STANDBY, and HALT, clock to the ADC module must be turned off explicitly by writing to the PCLKCR0 register.
- (3) I_{DDA33} includes current into V_{DDA2} and V_{DDA10} pins.
- (4) The TYP numbers are applicable over room temperature and nominal voltage. MAX numbers are at 125°C, and MAX voltage (V_{DD} = 2.0 V; V_{DDIO}, V_{DD3VFL}, V_{DDA} = 3.6 V).
- (5) The following is done in a loop:
 - Data is continuously transmitted out of the SCI-A, SCI-B, SPI-A, McBSP-A, and eCAN-A ports.
 - Multiplication/addition operations are performed.
 - Watchdog is reset.
 - ADC is performing continuous conversion. Data from ADC is transferred to SARAM through the DMA.
 - 32-bit read/write of the XINTF is performed.
 - GPIO19 is toggled.
- (6) When the identical code is run off SARAM, I_{DD} would increase as the code operates with zero wait states.
- (7) If a quartz crystal or ceramic resonator is used as the clock source, the HALT mode shuts down the internal oscillator.
- (8) HALT mode I_{DD} currents will increase with temperature in a nonlinear fashion.
- (9) The I_{DD3VFL} current indicated in this table is the flash read-current and does not include additional current for erase/write operations. During flash programming, extra current is drawn from the V_{DD} and V_{DD3VFL} rails, as indicated in [Section 7.9.7.3](#). If the user application involves on-board flash programming, this extra current must be taken into account while architecting the power-supply stage.

Note

The peripheral - I/O multiplexing implemented in the device prevents all available peripherals from being used at the same time. This is because more than one peripheral function may share an I/O pin. It is, however, possible to turn on the clocks to all the peripherals at the same time, although such a configuration is not useful. If this is done, the current drawn by the device will be more than the numbers specified in the current consumption tables.

7.5.2 TMS320F28334/F28234 Current Consumption by Power-Supply Pins at 150-MHz SYSCLKOUT

MODE	TEST CONDITIONS	I _{DD}		I _{DDIO} ⁽¹⁾		I _{DD3VFL} ⁽⁹⁾		I _{DDA18} ⁽²⁾		I _{DDA33} ⁽³⁾	
		TYP ⁽⁴⁾	MAX	TYP ⁽⁴⁾	MAX	TYP	MAX	TYP ⁽⁴⁾	MAX	TYP ⁽⁴⁾	MAX
Operational (Flash) ⁽⁶⁾	The following peripheral clocks are enabled: <ul style="list-style-type: none"> ePWM1, ePWM2, ePWM3, ePWM4, ePWM5, ePWM6 eCAP1, eCAP2, eCAP3, eCAP4, eCAP5, eCAP6 eQEP1, eQEP2 eCAN-A SCI-A, SCI-B (FIFO mode) SPI-A (FIFO mode) ADC I2C CPU-Timer 0, CPU-Timer 1, CPU-Timer 2 All PWM pins are toggled at 150 kHz. All I/O pins are left unconnected. ⁽⁵⁾	290 mA	315 mA	30 mA	50 mA	35 mA	40 mA	30 mA	35 mA	1.5 mA	2 mA
IDLE	Flash is powered down. XCLKOUT is turned off. The following peripheral clocks are enabled: <ul style="list-style-type: none"> eCAN-A SCI-A SPI-A I2C 	100 mA	120 mA	60 μA	120 mA	2 μA	10 μA	5 μA	60 μA	15 μA	20 μA
STANDBY	Flash is powered down. Peripheral clocks are off.	8 mA	15 mA	60 μA	120 μA	2 μA	10 μA	5 μA	60 μA	15 μA	20 μA
HALT ⁽⁸⁾	Flash is powered down. Peripheral clocks are off. Input clock is disabled. ⁽⁷⁾	150 μA		60 μA	120 μA	2 μA	10 μA	5 μA	60 μA	15 μA	20 μA

- (1) I_{DDIO} current is dependent on the electrical loading on the I/O pins.
- (2) I_{DDA18} includes current into V_{DD1A18} and V_{DD2A18} pins. To realize the I_{DDA18} currents shown for IDLE, STANDBY, and HALT, clock to the ADC module must be turned off explicitly by writing to the PCLKCR0 register.
- (3) I_{DDA33} includes current into V_{DDA2} and V_{DDAIO} pins.
- (4) The TYP numbers are applicable over room temperature and nominal voltage. MAX numbers are at 125°C, and MAX voltage (V_{DD} = 2.0 V; V_{DDIO}, V_{DD3VFL}, V_{DDA} = 3.6 V).
- (5) The following is done in a loop:
 - Data is continuously transmitted out of the SCI-A, SCI-B, SPI-A, McBSP-A, and eCAN-A ports.
 - Multiplication/addition operations are performed.
 - Watchdog is reset.
 - ADC is performing continuous conversion. Data from ADC is transferred to SARAM through the DMA.
 - 32-bit read/write of the XINTF is performed.
 - GPIO19 is toggled.
- (6) When the identical code is run off SARAM, I_{DD} would increase as the code operates with zero wait states.
- (7) If a quartz crystal or ceramic resonator is used as the clock source, the HALT mode shuts down the internal oscillator.
- (8) HALT mode I_{DD} currents will increase with temperature in a nonlinear fashion.
- (9) The I_{DD3VFL} current indicated in this table is the flash read-current and does not include additional current for erase/write operations. During flash programming, extra current is drawn from the V_{DD} and V_{DD3VFL} rails, as indicated in Section 7.9.7.3. If the user application involves on-board flash programming, this extra current must be taken into account while architecting the power-supply stage.

7.5.3 Reducing Current Consumption

The 2833x and 2823x DSCs incorporate a method to reduce the device current consumption. Because each peripheral unit has an individual clock-enable bit, reduction in current consumption can be achieved by turning off the clock to any peripheral module that is not used in a given application. Furthermore, any one of the three low-power modes could be taken advantage of to reduce the current consumption even further. Table 7-1 indicates the typical reduction in current consumption achieved by turning off the clocks.

Table 7-1. Typical Current Consumption by Various Peripherals (at 150 MHz) ⁽¹⁾

PERIPHERAL MODULE	I _{DD} CURRENT REDUCTION/MODULE (mA) ⁽²⁾
ADC	8 ⁽³⁾
I2C	2.5
eQEP	5
ePWM	5
eCAP	2
SCI	5
SPI	4
eCAN	8
McBSP	7
CPU-Timer	2
XINTF	10 ⁽⁴⁾
DMA	10
FPU	15

- (1) All peripheral clocks are disabled upon reset. Writing to or reading from peripheral registers is possible only after the peripheral clocks are turned on.
- (2) For peripherals with multiple instances, the current quoted is per module. For example, the 5 mA number quoted for ePWM is for one ePWM module.
- (3) This number represents the current drawn by the digital portion of the ADC module. Turning off the clock to the ADC module results in the elimination of the current drawn by the analog portion of the ADC (I_{DDA18}) as well.
- (4) Operating the XINTF bus has a significant effect on IDDIO current. It will increase considerably based on the following:
 - How many address/data pins toggle from one cycle to another
 - How fast they toggle
 - Whether 16-bit or 32-bit interface is used and
 - The load on these pins.

Following are other methods to reduce power consumption further:

- The Flash module may be powered down if code is run off SARAM. This results in a current reduction of 35 mA (typical) in the V_{DD3VFL} rail.
- I_{DDIO} current consumption is reduced by 15 mA (typical) when XCLKOUT is turned off.
- Significant savings in I_{DDIO} may be realized by disabling the pullups on pins that assume an output function and on XINTF pins. A savings of 35 mW (typical) can be achieved by this.

The baseline I_{DD} current (current when the core is executing a dummy loop with no peripherals enabled) is 165 mA, (typical). To arrive at the I_{DD} current for a given application, the current-drawn by the peripherals (enabled by that application) must be added to the baseline I_{DD} current.

7.5.4 Current Consumption Graphs

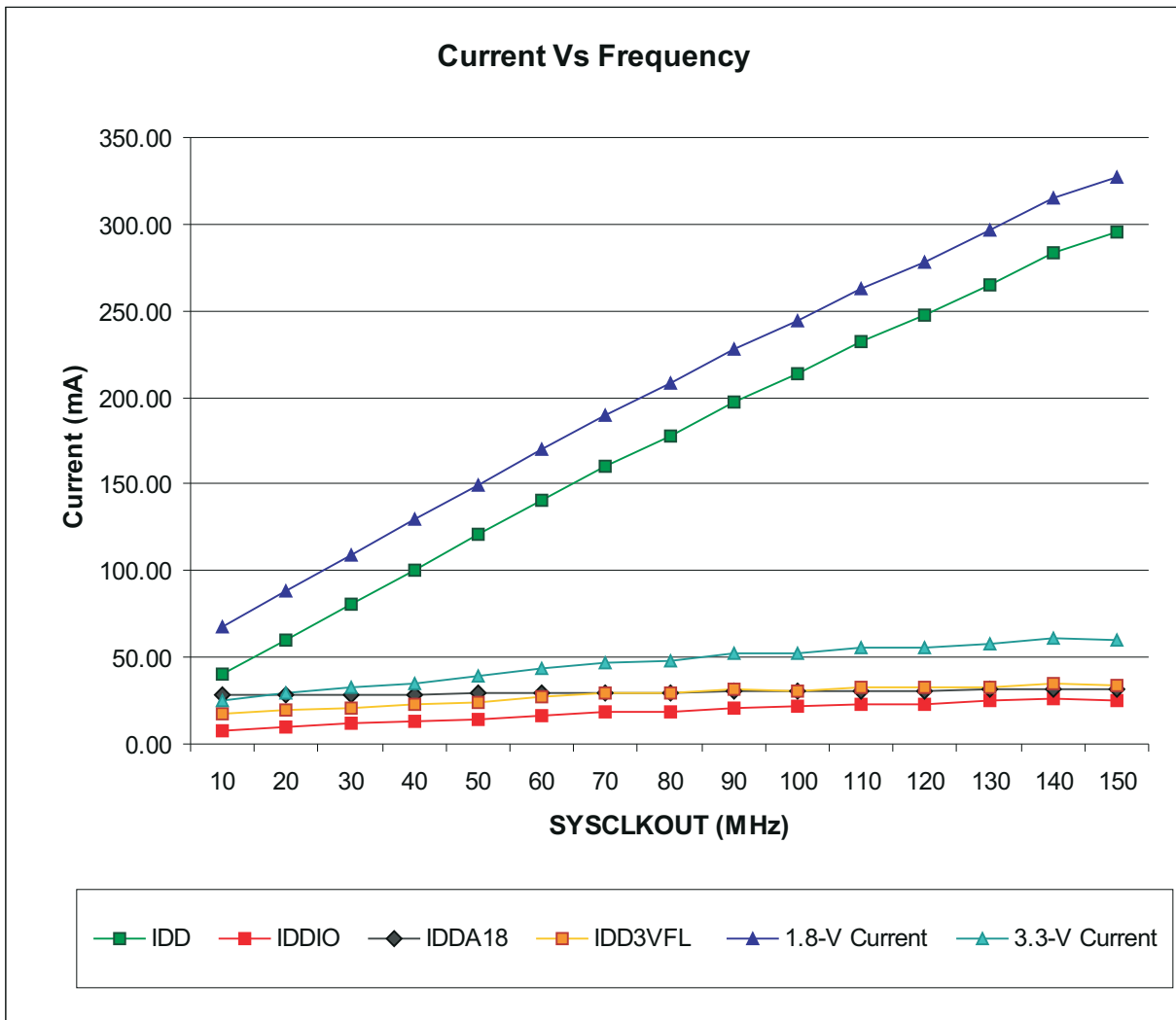


Figure 7-1. Typical Operational Current Versus Frequency (F28335, F28235, F28334, F28234)

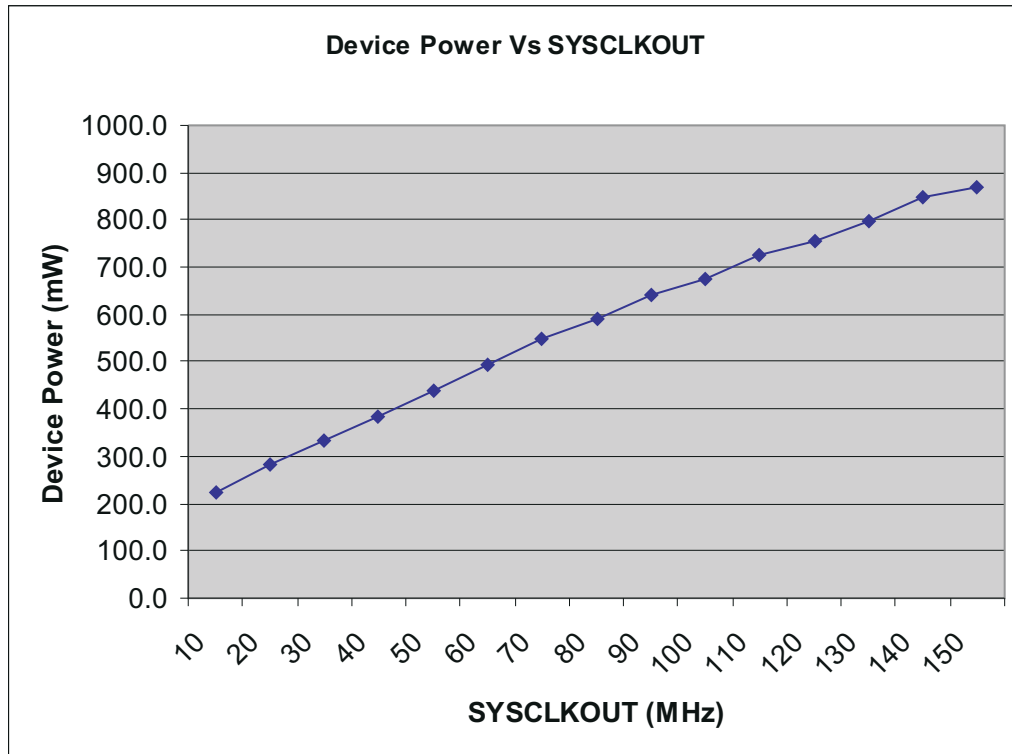


Figure 7-2. Typical Operational Power Versus Frequency (F28335, F28235, F28334, F28234)

Note

Typical operational current for 100-MHz devices (28x32) can be estimated from Figure 7-1. Compared to 150-MHz devices, the analog and flash module currents remain unchanged. While a marginal decrease in IDDIO current can be expected due to the reduced external activity of peripheral pins, current reduction is primarily in I_{DD}.

7.6 Electrical Characteristics

over recommended operating conditions (unless otherwise noted)

PARAMETER		TEST CONDITIONS		MIN	TYP	MAX	UNIT		
V _{OH}	High-level output voltage	I _{OH} = I _{OH} MAX		2.4			V		
		I _{OH} = 50 μA		V _{DDIO} - 0.2					
V _{OL}	Low-level output voltage	I _{OL} = I _{OL} MAX		0.4			V		
I _{IL}	Input current (low level)	Pin with pullup enabled	V _{DDIO} = 3.3 V, V _{IN} = 0 V	All I/Os (including XRS)		-80	-140	-190	μA
		Pin with pulldown enabled	V _{DDIO} = 3.3 V, V _{IN} = 0 V		±2				
I _{IH}	Input current (high level)	Pin with pullup enabled	V _{DDIO} = 3.3 V, V _{IN} = V _{DDIO}		±2			μA	
		Pin with pulldown enabled	V _{DDIO} = 3.3 V, V _{IN} = V _{DDIO}		28	50	80		
I _{OZ}	Output current, pullup or pulldown disabled	V _O = V _{DDIO} or 0 V		±2			μA		
C _I	Input capacitance			2			pF		

7.7 Thermal Resistance Characteristics

7.7.1 PGF Package

		°C/W ^{(1) (2)}	AIR FLOW (lfm) ⁽³⁾
RO _{JC}	Junction-to-case	8.2	0
RO _{JB}	Junction-to-board	28.1	0
RO _{JA} (High k PCB)	Junction-to-free air	44	0
		34.5	150
		33	250
		31	500
Psi _{JT}	Junction-to-package top	0.12	0
		0.48	150
		0.57	250
		0.74	500
Psi _{JB}	Junction-to-board	28.1	0
		26.3	150
		25.9	250
		25.2	500

(1) °C/W = degrees Celsius per watt

(2) These values are based on a JEDEC-defined 2S2P system (with the exception of the Theta JC [RO_{JC}] value, which is based on a JEDEC-defined 1S0P system) and will change based on environment as well as application. For more information, see these EIA/ JEDEC standards:

- JESD51-2, *Integrated Circuits Thermal Test Method Environmental Conditions - Natural Convection (Still Air)*
- JESD51-3, *Low Effective Thermal Conductivity Test Board for Leaded Surface Mount Packages*
- JESD51-7, *High Effective Thermal Conductivity Test Board for Leaded Surface Mount Packages*
- JESD51-9, *Test Boards for Area Array Surface Mount Package Thermal Measurements*

(3) lfm = linear feet per minute

7.7.2 PTP Package

		°C/W ^{(1) (2)}	AIR FLOW (lfm) ⁽³⁾
RO _{JC}	Junction-to-case	12.1	0
RO _{JB}	Junction-to-board	5.1	0
RO _{JA} (High k PCB)	Junction-to-free air	17.4	0
		11.7	150
		10.1	250
		8.8	500
Psi _{JT}	Junction-to-package top	0.2	0
		0.3	150
		0.4	250
		0.5	500
Psi _{JB}	Junction-to-board	5.0	0
		4.7	150
		4.7	250
		4.6	500

(1) °C/W = degrees Celsius per watt

(2) These values are based on a JEDEC-defined 2S2P system (with the exception of the Theta JC [RO_{JC}] value, which is based on a JEDEC-defined 1S0P system) and will change based on environment as well as application. For more information, see these EIA/ JEDEC standards:

- JESD51-2, *Integrated Circuits Thermal Test Method Environmental Conditions - Natural Convection (Still Air)*
- JESD51-3, *Low Effective Thermal Conductivity Test Board for Leaded Surface Mount Packages*

- JESD51-7, *High Effective Thermal Conductivity Test Board for Leaded Surface Mount Packages*
 - JESD51-9, *Test Boards for Area Array Surface Mount Package Thermal Measurements*
- (3) lfm = linear feet per minute

7.7.3 ZHH Package

		°C/W ^{(1) (2)}	AIR FLOW (lfm) ⁽³⁾
R θ_{JC}	Junction-to-case	8.8	0
R θ_{JB}	Junction-to-board	12.5	0
R θ_{JA} (High k PCB)	Junction-to-free air	32.8	0
		24.1	150
		22.9	250
		20.9	500
Psi $_{JT}$	Junction-to-package top	0.09	0
		0.3	150
		0.36	250
		0.48	500
Psi $_{JB}$	Junction-to-board	12.4	0
		11.8	150
		11.7	250
		11.5	500

- (1) °C/W = degrees Celsius per watt
(2) These values are based on a JEDEC-defined 2S2P system (with the exception of the Theta JC [R θ_{JC}] value, which is based on a JEDEC-defined 1S0P system) and will change based on environment as well as application. For more information, see these EIA/JEDEC standards:
- JESD51-2, *Integrated Circuits Thermal Test Method Environmental Conditions - Natural Convection (Still Air)*
 - JESD51-3, *Low Effective Thermal Conductivity Test Board for Leaded Surface Mount Packages*
 - JESD51-7, *High Effective Thermal Conductivity Test Board for Leaded Surface Mount Packages*
 - JESD51-9, *Test Boards for Area Array Surface Mount Package Thermal Measurements*
- (3) lfm = linear feet per minute

7.7.4 ZJZ Package

		°C/W ^{(1) (2)}	AIR FLOW (lfm) ⁽³⁾
R θ_{JC}	Junction-to-case	11.4	0
R θ_{JB}	Junction-to-board	12	0
R θ_{JA} (High k PCB)	Junction-to-free air	29.6	0
		20.9	150
		19.7	250
		18	500
Psi $_{JT}$	Junction-to-package top	0.2	0
		0.78	150
		0.91	250
		1.11	500
Psi $_{JB}$	Junction-to-board	12.2	0
		11.6	150
		11.5	250
		11.3	500

- (1) °C/W = degrees Celsius per watt
(2) These values are based on a JEDEC-defined 2S2P system (with the exception of the Theta JC [R θ_{JC}] value, which is based on a JEDEC-defined 1S0P system) and will change based on environment as well as application. For more information, see these EIA/JEDEC standards:
- JESD51-2, *Integrated Circuits Thermal Test Method Environmental Conditions - Natural Convection (Still Air)*
 - JESD51-3, *Low Effective Thermal Conductivity Test Board for Leaded Surface Mount Packages*
 - JESD51-7, *High Effective Thermal Conductivity Test Board for Leaded Surface Mount Packages*

- JESD51-9, *Test Boards for Area Array Surface Mount Package Thermal Measurements*
- (3) lfm = linear feet per minute

7.8 Thermal Design Considerations

Based on the end application design and operational profile, the I_{DD} and I_{DDIO} currents could vary. Systems with more than 1 Watt power dissipation may require a product level thermal design. Care should be taken to keep T_j within specified limits. In the end applications, T_{case} should be measured to estimate the operating junction temperature T_j . T_{case} is normally measured at the center of the package top side surface. The thermal application note [Semiconductor and IC package thermal metrics](#) helps to understand the thermal metrics and definitions.

7.9 Timing and Switching Characteristics

7.9.1 Timing Parameter Symbology

Timing parameter symbols used are created in accordance with JEDEC Standard 100. To shorten the symbols, some of the pin names and other related terminology have been abbreviated as follows:

Lowercase subscripts and their meanings:		Letters and symbols and their meanings:	
a	access time	H	High
c	cycle time (period)	L	Low
d	delay time	V	Valid
f	fall time	X	Unknown, changing, or don't care level
h	hold time	Z	High impedance
r	rise time		
su	setup time		
t	transition time		
v	valid time		
w	pulse duration (width)		

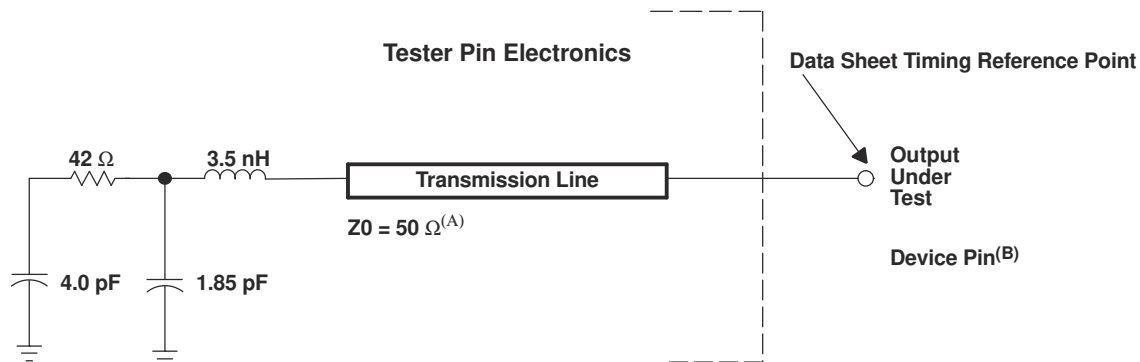
7.9.1.1 General Notes on Timing Parameters

All output signals from the 28x devices (including XCLKOUT) are derived from an internal clock such that all output transitions for a given half-cycle occur with a minimum of skewing relative to each other.

The signal combinations shown in the following timing diagrams may not necessarily represent actual cycles. For actual cycle examples, see the appropriate cycle description section of this document.

7.9.1.2 Test Load Circuit

This test load circuit is used to measure all switching characteristics provided in this document.



- Input requirements in this data sheet are tested with an input slew rate of < 4 Volts per nanosecond (4 V/ns) at the device pin.
- The data sheet provides timing at the device pin. For output timing analysis, the tester pin electronics and its transmission line effects must be taken into account. A transmission line with a delay of 2 ns or longer can be used to produce the desired transmission line effect. The transmission line is intended as a load only. It is not necessary to add or subtract the transmission line delay (2 ns or longer) from the data sheet timing.

Figure 7-3. 3.3-V Test Load Circuit

7.9.1.3 Device Clock Table

This section provides the timing requirements and switching characteristics for the various clock options available. Section 7.9.1.3.1 and Section 7.9.1.3.2 list the cycle times of various clocks.

7.9.1.3.1 Clocking and Nomenclature (150-MHz Devices)

		MIN	NOM	MAX	UNIT
On-chip oscillator clock	$t_{c(OSC)}$, Cycle time	28.6		50	ns
	Frequency	20		35	MHz
XCLKIN ⁽¹⁾	$t_{c(CI)}$, Cycle time	6.67		250	ns
	Frequency	4		150	MHz
SYSCLKOUT	$t_{c(SCO)}$, Cycle time	6.67		500	ns
	Frequency	2		150	MHz
XCLKOUT	$t_{c(XCO)}$, Cycle time	6.67		2000	ns
	Frequency	0.5		150	MHz
HSPCLK ⁽²⁾	$t_{c(HCO)}$, Cycle time	6.67	13.3 ⁽³⁾		ns
	Frequency		75 ⁽³⁾	150	MHz
LSPCLK ⁽²⁾	$t_{c(LCO)}$, Cycle time	13.3	26.7 ⁽³⁾		ns
	Frequency		37.5 ⁽³⁾	75 ⁽⁴⁾	MHz
ADC clock	$t_{c(ADCCLK)}$, Cycle time	40			ns
	Frequency			25	MHz

- (1) This also applies to the X1 pin if a 1.9-V oscillator is used.
- (2) Lower LSPCLK and HSPCLK will reduce device power consumption.
- (3) This is the default value if SYSCLKOUT = 150 MHz.
- (4) Although LSPCLK is capable of reaching 100 MHz, it is specified at 75 MHz because the smallest valid "Low-speed peripheral clock prescaler register" value is "1" for 150-MHz devices.

7.9.1.3.2 Clocking and Nomenclature (100-MHz Devices)

		MIN	NOM	MAX	UNIT
On-chip oscillator clock	$t_{c(OSC)}$, Cycle time	28.6		50	ns
	Frequency	20		35	MHz
XCLKIN ⁽¹⁾	$t_{c(CI)}$, Cycle time	10		250	ns
	Frequency	4		100	MHz
SYSCLKOUT	$t_{c(SCO)}$, Cycle time	10		500	ns
	Frequency	2		100	MHz
XCLKOUT	$t_{c(XCO)}$, Cycle time	10		2000	ns
	Frequency	0.5		100	MHz
HSPCLK ⁽²⁾	$t_{c(HCO)}$, Cycle time	10	20 ⁽³⁾		ns
	Frequency		50 ⁽³⁾	100	MHz
LSPCLK ⁽²⁾	$t_{c(LCO)}$, Cycle time	10	40 ⁽³⁾		ns
	Frequency		25 ⁽³⁾	100	MHz
ADC clock	$t_{c(ADCCLK)}$, Cycle time	40			ns
	Frequency			25	MHz

- (1) This also applies to the X1 pin if a 1.8-V oscillator is used.
- (2) Lower LSPCLK and HSPCLK will reduce device power consumption.
- (3) This is the default value if SYSCLKOUT = 100 MHz.

7.9.2 Power Sequencing

No requirements are placed on the power-up and power-down sequences of the various power pins to ensure the correct reset state for all the modules. However, if the 3.3-V transistors in the level shifting output buffers of the I/O pins are powered prior to the 1.9-V/1.8-V transistors, it is possible for the output buffers to turn on, causing a glitch to occur on the pin during power up. To avoid this behavior, power the V_{DD} pins prior to or simultaneously with the V_{DDIO} pins, ensuring that the V_{DD} pins have reached 0.7 V before the V_{DDIO} pins reach 0.7 V.

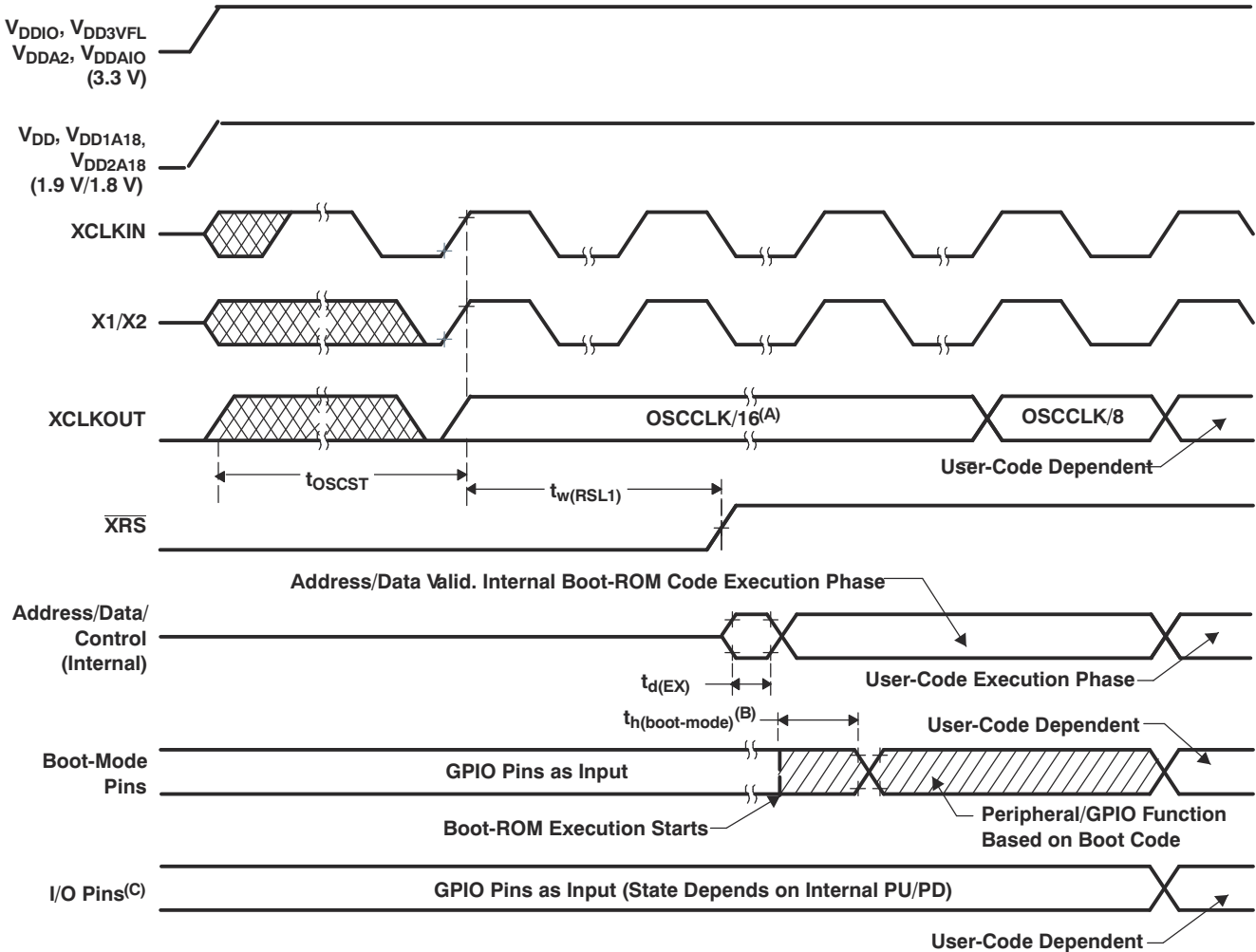
There are some requirements on the \overline{XRS} pin:

1. During power up, the \overline{XRS} pin must be held low for $t_{w(RSL1)}$ after the input clock is stable (see [Section 7.9.2.2](#)). This is to enable the entire device to start from a known condition.
2. During power down, the \overline{XRS} pin must be pulled low at least 8 μ s prior to V_{DD} reaching 1.5 V. Meeting this requirement is important to help prevent unintended flash program or erase.

No voltage larger than a diode drop (0.7 V) above V_{DDIO} should be applied to any digital pin (for analog pins, this value is 0.7 V above V_{DDA}) before powering up the device. Furthermore, V_{DDIO} and V_{DDA} should always be within 0.3 V of each other. Voltages applied to pins on an unpowered device can bias internal P-N junctions in unintended ways and produce unpredictable results.

7.9.2.1 Power Management and Supervisory Circuit Solutions

LDO selection depends on the total power consumed in the end application. Go to the [Power Management](#) page for a list of TI power management ICs. Click the [Reference designs](#) tab for specific power management reference designs.



- A. Upon power up, SYSCLKOUT is OSCCLK/4. Because both the XTIMCLK and CLKMODE bits in the XINTCNF2 register come up with a reset state of 1, SYSCLKOUT is further divided by 4 before it appears at XCLKOUT. This explains why XCLKOUT = OSCCLK/16 during this phase. Subsequently, boot ROM changes SYSCLKOUT to OSCCLK/2. Because the XTIMCLK register is unchanged by the boot ROM, XCLKOUT is OSCCLK/8 during this phase.
- B. After reset, the boot ROM code samples Boot Mode pins. Based on the status of the Boot Mode pin, the boot code branches to destination memory or boot code function. If boot ROM code executes after power-on conditions (in debugger environment), the boot code execution time is based on the current SYSCLKOUT speed. The SYSCLKOUT will be based on user environment and could be with or without PLL enabled.
- C. See [Section 7.9.2](#) for requirements to ensure a high-impedance state for GPIO pins during power up.

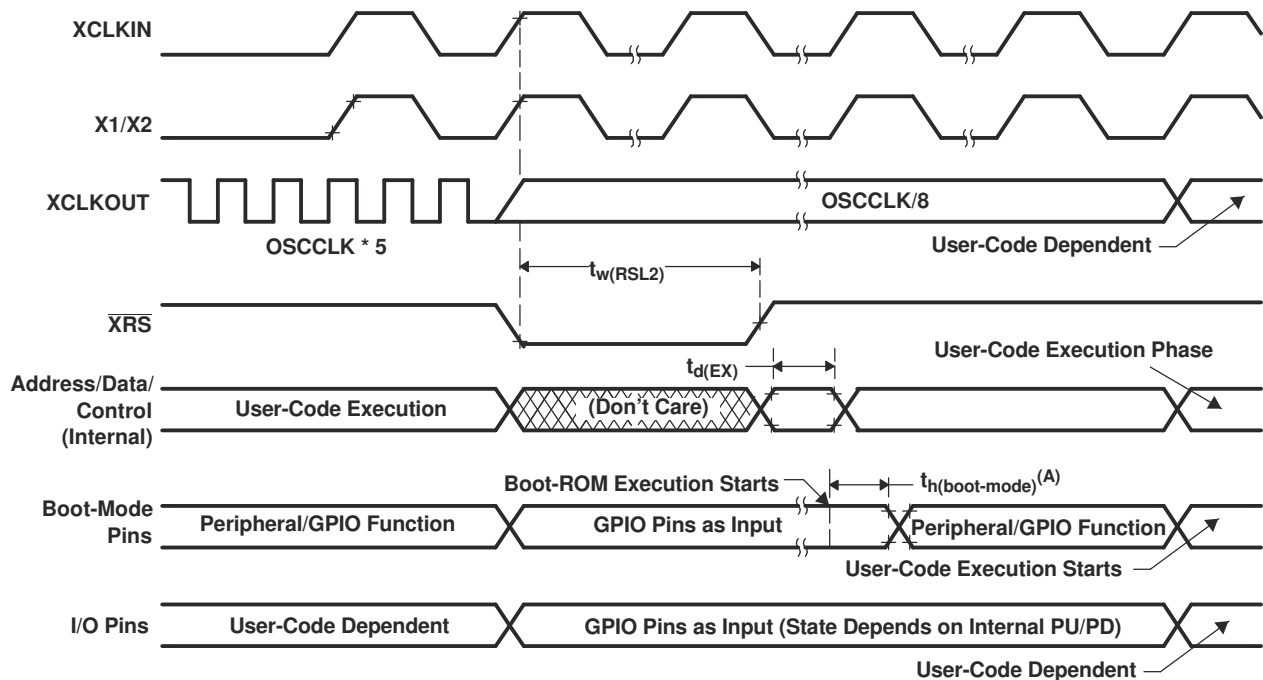
Figure 7-4. Power-on Reset

7.9.2.2 Reset (\overline{XRS}) Timing Requirements

		MIN	NOM	MAX	UNIT
$t_{w(RSL1)}$ ⁽¹⁾	Pulse duration, stable input clock to \overline{XRS} high	$32t_{c(OSCCLK)}$			cycles
$t_{w(RSL2)}$	Pulse duration, \overline{XRS} low	Warm reset			cycles
$t_{w(WDRS)}$	Pulse duration, reset pulse generated by watchdog		$512t_{c(OSCCLK)}$		cycles
$t_{d(EX)}$	Delay time, address/data valid after \overline{XRS} high		$32t_{c(OSCCLK)}$		cycles
t_{OSCST} ⁽²⁾	Oscillator start-up time	1	10		ms
$t_{h(boot-mode)}$	Hold time for boot-mode pins	$200t_{c(OSCCLK)}$			cycles

(1) In addition to the $t_{w(RSL1)}$ requirement, \overline{XRS} must be low at least for 1 ms after V_{DD} reaches 1.5 V.

(2) Dependent on crystal/resonator and board design.



A. After reset, the Boot ROM code samples BOOT Mode pins. Based on the status of the Boot Mode pin, the boot code branches to destination memory or boot code function. If Boot ROM code executes after power-on conditions (in debugger environment), the Boot code execution time is based on the current SYSCLKOUT speed. The SYSCLKOUT will be based on user environment and could be with or without PLL enabled.

Figure 7-5. Warm Reset

Figure 7-6 shows an example for the effect of writing into PLLCR register. In the first phase, PLLCR = 0x0004 and SYSCLKOUT = OSCCLK × 2. The PLLCR is then written with 0x0008. Right after the PLLCR register is written, the PLL lock-up phase begins. During this phase, SYSCLKOUT = OSCCLK/2. After the PLL lock-up is complete (which takes 131072 OSCCLK cycles), SYSCLKOUT reflects the new operating frequency, OSCCLK × 4.

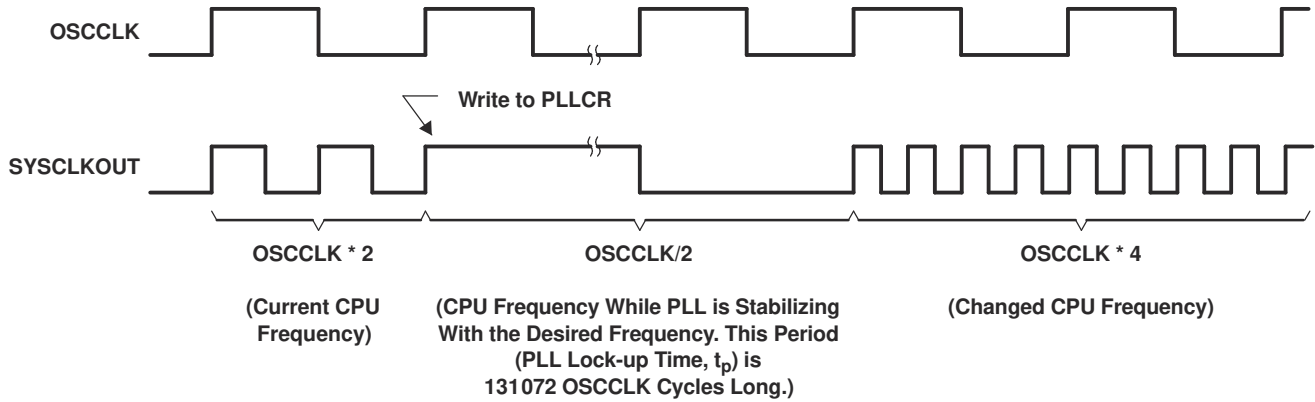


Figure 7-6. Example of Effect of Writing Into PLLCR Register

7.9.3 Clock Requirements and Characteristics

7.9.3.1 Input Clock Frequency

PARAMETER		MIN	TYP	MAX	UNIT	
f_x	Input clock frequency	Resonator (X1/X2)		20	35	MHz
		Crystal (X1/X2)		20	35	
	External oscillator/clock source (XCLKIN or X1 pin)	150-MHz device		4	150	
		100-MHz device		4	100	
f_l	Limp mode SYSCLKOUT frequency range (with /2 enabled)			1 - 5	MHz	

7.9.3.2 XCLKIN Timing Requirements – PLL Enabled

NO.		MIN	MAX	UNIT
C8	$t_{c(CI)}$ Cycle time, XCLKIN	33.3	200	ns
C9	$t_{f(CI)}$ Fall time, XCLKIN ⁽¹⁾		6	ns
C10	$t_{r(CI)}$ Rise time, XCLKIN ⁽¹⁾		6	ns
C11	$t_{w(CIL)}$ Pulse duration, XCLKIN low as a percentage of $t_{c(CI)}$ ⁽¹⁾	45%	55%	
C12	$t_{w(CIH)}$ Pulse duration, XCLKIN high as a percentage of $t_{c(CI)}$ ⁽¹⁾	45%	55%	

(1) This applies to the X1 pin also.

7.9.3.3 XCLKIN Timing Requirements – PLL Disabled

NO.		MIN	MAX	UNIT	
C8	$t_{c(CI)}$ Cycle time, XCLKIN	150-MHz device	6.67	250	ns
		100-MHz device	10	250	
C9	$t_{f(CI)}$ Fall time, XCLKIN ⁽¹⁾	Up to 30 MHz		6	ns
		30 MHz to 150 MHz		2	
C10	$t_{r(CI)}$ Rise time, XCLKIN ⁽¹⁾	Up to 30 MHz		6	ns
		30 MHz to 150 MHz		2	
C11	$t_{w(CIL)}$ Pulse duration, XCLKIN low as a percentage of $t_{c(CI)}$ ⁽¹⁾	45%	55%		
C12	$t_{w(CIH)}$ Pulse duration, XCLKIN high as a percentage of $t_{c(CI)}$ ⁽¹⁾	45%	55%		

(1) This applies to the X1 pin also.

The possible configuration modes are shown in [Table 8-38](#).

7.9.3.4 XCLKOUT Switching Characteristics (PLL Bypassed or Enabled) ^{(1) (2)}

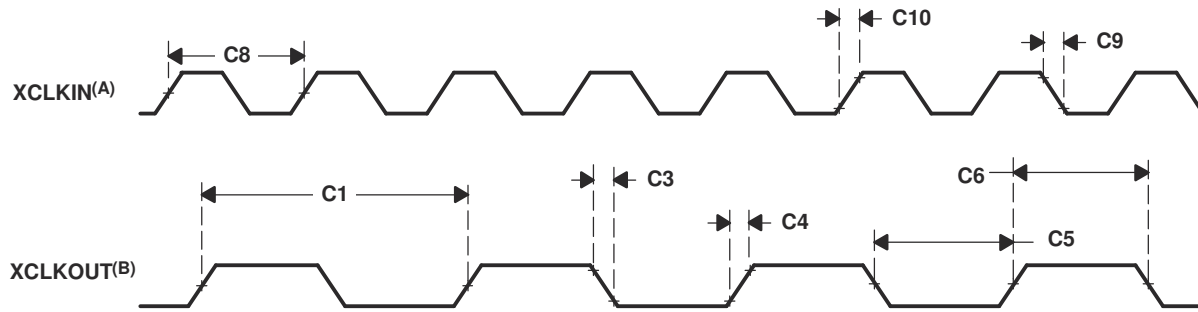
NO.	PARAMETER	MIN	TYP	MAX	UNIT
C1	$t_{c(XCO)}$ Cycle time, XCLKOUT	150-MHz device	6.67		ns
		100-MHz device	10		
C3	$t_{f(XCO)}$ Fall time, XCLKOUT		2		ns
C4	$t_{r(XCO)}$ Rise time, XCLKOUT		2		ns
C5	$t_{w(XCOL)}$ Pulse duration, XCLKOUT low	H - 2		H + 2	ns
C6	$t_{w(XCOH)}$ Pulse duration, XCLKOUT high	H - 2		H + 2	ns
	t_p PLL lock time		131072	$t_{c(OSCCLK)}$ ⁽³⁾	cycles

(1) A load of 40 pF is assumed for these parameters.

(2) $H = 0.5t_{c(XCO)}$

(3) OSCCLK is either the output of the on-chip oscillator or the output from an external oscillator.

7.9.3.5 Timing Diagram



- A. The relationship of XCLKIN to XCLKOUT depends on the divide factor chosen. The waveform relationship shown is intended to illustrate the timing parameters only and may differ based on actual configuration.
- B. XCLKOUT configured to reflect SYSCLKOUT.

Figure 7-7. Clock Timing

7.9.4 Peripherals

7.9.4.1 General-Purpose Input/Output (GPIO)

7.9.4.1.1 GPIO - Output Timing

7.9.4.1.1.1 General-Purpose Output Switching Characteristics

PARAMETER			MIN	MAX	UNIT
$t_{r(GPO)}$	Rise time, GPIO switching low to high	All GPIOs		8	ns
$t_{f(GPO)}$	Fall time, GPIO switching high to low	All GPIOs		8	ns
t_{fGPO}	Toggle frequency, GPO pins			25	MHz

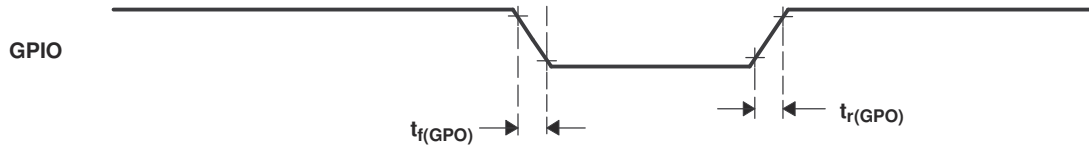


Figure 7-8. General-Purpose Output Timing

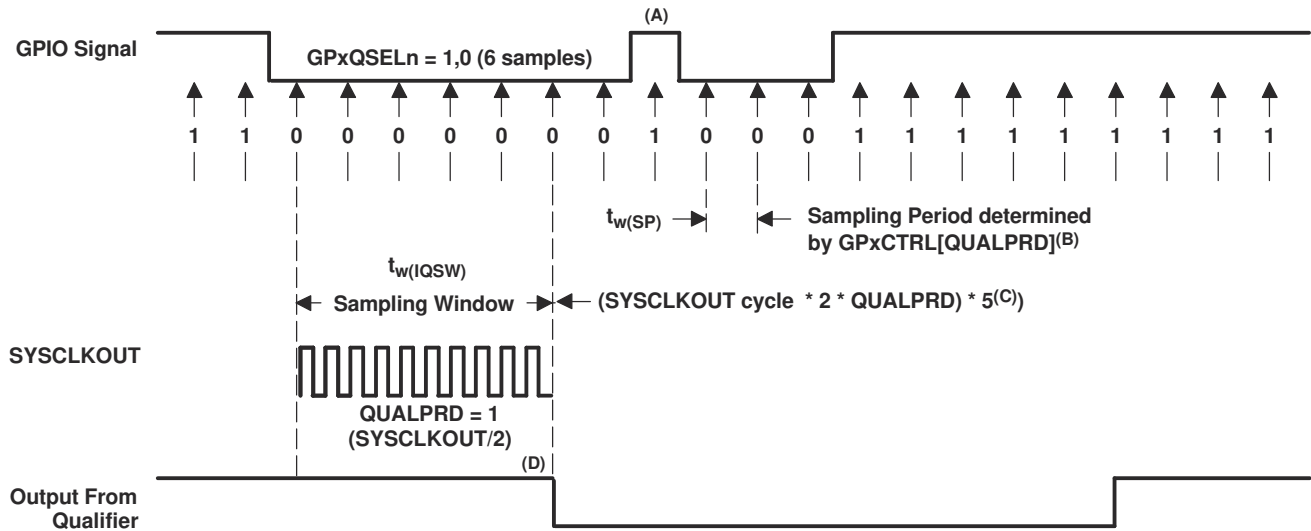
7.9.4.1.2 GPIO - Input Timing

7.9.4.1.2.1 General-Purpose Input Timing Requirements

			MIN	MAX	UNIT
$t_{w(SP)}$	Sampling period	QUALPRD = 0	$1t_{c(SCO)}$		cycles
		QUALPRD \neq 0	$2t_{c(SCO)} * QUALPRD$		
$t_{w(IQSW)}$	Input qualifier sampling window		$t_{w(SP)} * (n^{(1)} - 1)$		cycles
$t_{w(GPI)}^{(2)}$	Pulse duration, GPIO low/high	Synchronous mode	$2t_{c(SCO)}$		cycles
		With input qualifier	$t_{w(IQSW)} + t_{w(SP)} + 1t_{c(SCO)}$		

(1) "n" represents the number of qualification samples as defined by GPxQSELn register.

(2) For $t_{w(GPI)}$, pulse width is measured from V_{IL} to V_{IL} for an active low signal and V_{IH} to V_{IH} for an active high signal.



- A. This glitch will be ignored by the input qualifier. The QUALPRD bit field specifies the qualification sampling period. It can vary from 00 to 0xFF. If QUALPRD = 00, then the sampling period is 1 SYSCLKOUT cycle. For any other value "n", the qualification sampling period in 2n SYSCLKOUT cycles (that is, at every 2n SYSCLKOUT cycles, the GPIO pin will be sampled).
- B. The qualification period selected through the GPxCTRL register applies to groups of 8 GPIO pins.
- C. The qualification block can take either three or six samples. The GPxQSELn Register selects which sample mode is used.
- D. In the example shown, for the qualifier to detect the change, the input should be stable for 10 SYSCLKOUT cycles or greater. In other words, the inputs should be stable for $(5 \times QUALPRD \times 2)$ SYSCLKOUT cycles. This would ensure 5 sampling periods for detection to occur. Because external signals are driven asynchronously, a 13-SYSCLKOUT-wide pulse ensures reliable recognition.

Figure 7-9. Sampling Mode

7.9.4.1.3 Sampling Window Width for Input Signals

The following section summarizes the sampling window width for input signals for various input qualifier configurations.

Sampling frequency denotes how often a signal is sampled with respect to SYSCLKOUT.

Sampling frequency = $\text{SYSCLKOUT} / (2 * \text{QUALPRD})$, if $\text{QUALPRD} \neq 0$

Sampling frequency = SYSCLKOUT , if $\text{QUALPRD} = 0$

Sampling period = $\text{SYSCLKOUT cycle} \times 2 \times \text{QUALPRD}$, if $\text{QUALPRD} \neq 0$

In the above equations, SYSCLKOUT cycle indicates the time period of SYSCLKOUT.

Sampling period = SYSCLKOUT cycle , if $\text{QUALPRD} = 0$

In a given sampling window, either 3 or 6 samples of the input signal are taken to determine the validity of the signal. This is determined by the value written to GPxQSELn register.

Case 1:

Qualification using three samples

Sampling window width = $(\text{SYSCLKOUT cycle} \times 2 \times \text{QUALPRD}) \times 2$, if $\text{QUALPRD} \neq 0$

Sampling window width = $(\text{SYSCLKOUT cycle}) \times 2$, if $\text{QUALPRD} = 0$

Case 2:

Qualification using six samples

Sampling window width = $(\text{SYSCLKOUT cycle} \times 2 \times \text{QUALPRD}) \times 5$, if $\text{QUALPRD} \neq 0$

Sampling window width = $(\text{SYSCLKOUT cycle}) \times 5$, if $\text{QUALPRD} = 0$

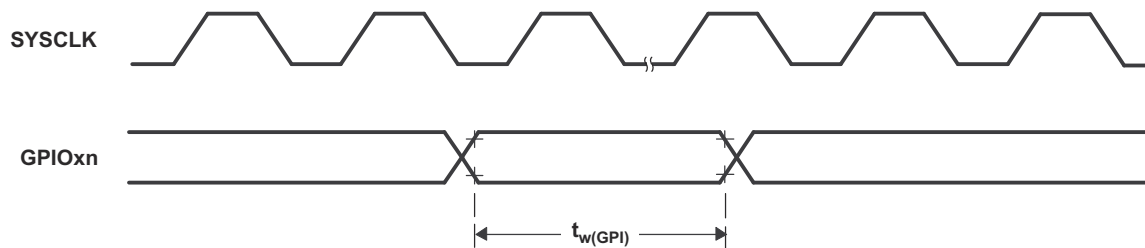


Figure 7-10. General-Purpose Input Timing

7.9.4.1.4 Low-Power Mode Wakeup Timing

Section 7.9.4.1.4.1 shows the timing requirements, Section 7.9.4.1.4.2 shows the switching characteristics, and Figure 7-11 shows the timing diagram for IDLE mode.

7.9.4.1.4.1 IDLE Mode Timing Requirements (1)

		MIN	MAX	UNIT
$t_{w(WAKE-INT)}$	Pulse duration, external wake-up signal	Without input qualifier	$2t_{c(SCO)}$	cycles
		With input qualifier	$5t_{c(SCO)} + t_{w(IQSW)}$	

(1) For an explanation of the input qualifier parameters, see Section 7.9.4.1.2.1.

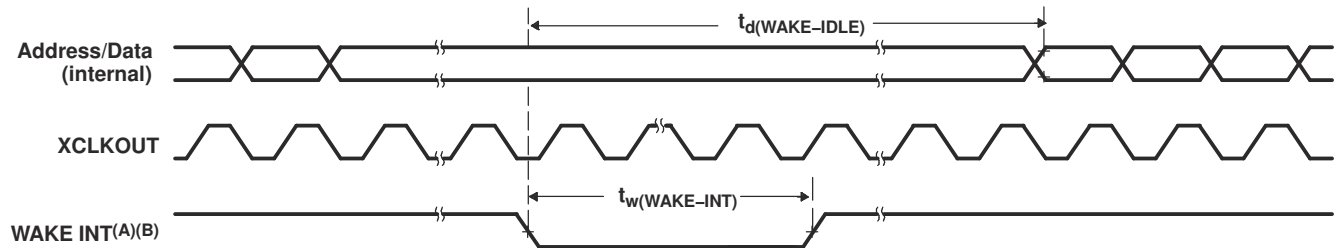
7.9.4.1.4.2 IDLE Mode Switching Characteristics (1)

PARAMETER		TEST CONDITIONS	MIN	MAX	UNIT
$t_{d(WAKE-IDLE)}$	Delay time, external wake signal to program execution resume (2)				
	Wake-up from flash • Flash module in active state	Without input qualifier		$20t_{c(SCO)}$	cycles
		With input qualifier		$20t_{c(SCO)} + t_{w(IQSW)}$	
	Wake-up from flash • Flash module in sleep state	Without input qualifier		$1050t_{c(SCO)}$	cycles
		With input qualifier		$1050t_{c(SCO)} + t_{w(IQSW)}$	
	Wake-up from SARAM	Without input qualifier		$20t_{c(SCO)}$	cycles
With input qualifier			$20t_{c(SCO)} + t_{w(IQSW)}$		

(1) For an explanation of the input qualifier parameters, see Section 7.9.4.1.2.1.

(2) This is the time taken to begin execution of the instruction that immediately follows the IDLE instruction. execution of an ISR (triggered by the wake up) signal involves additional latency.

7.9.4.1.4.3 IDLE Mode Timing Diagram



A. WAKE INT can be any enabled interrupt, \overline{WDINT} , XNMI, or \overline{XRS} .

B. From the time the IDLE instruction is executed to place the device into low-power mode (LPM), wakeup should not be initiated until at least 4 OSCCLK cycles have elapsed.

Figure 7-11. IDLE Entry and Exit Timing

7.9.4.1.4.4 STANDBY Mode Timing Requirements

			MIN	MAX	UNIT
$t_{w(WAKE-INT)}$	Pulse duration, external wake-up signal	Without input qualification	$3t_{c(OSCCLK)}$		cycles
		With input qualification ⁽¹⁾	$(2 + QUALSTDBY) * t_{c(OSCCLK)}$		

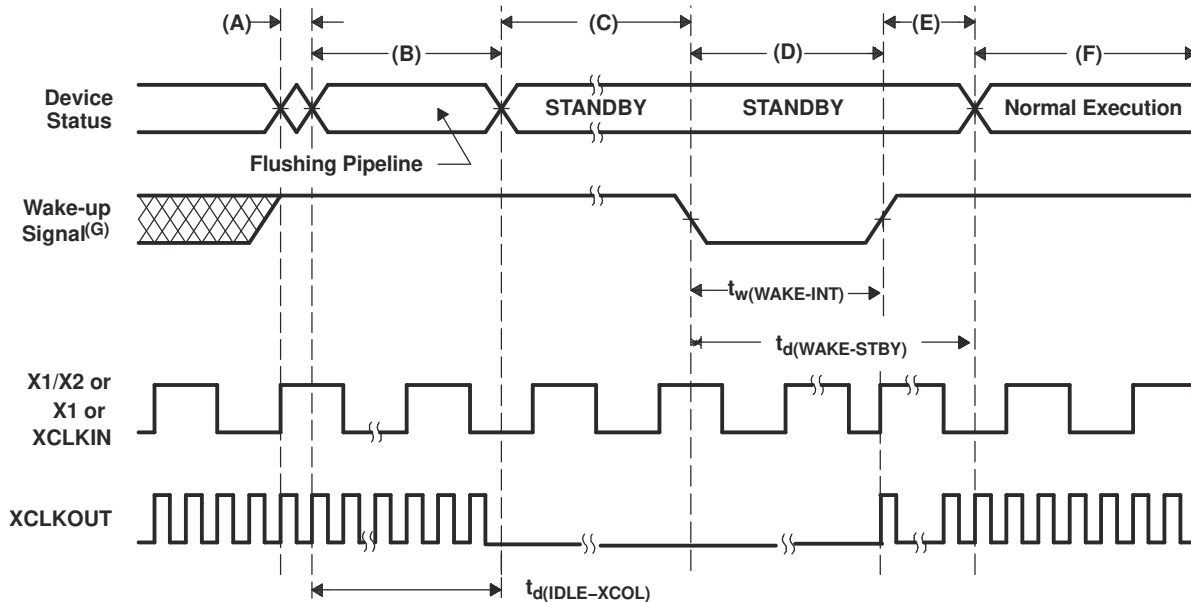
(1) QUALSTDBY is a 6-bit field in the LPMCR0 register.

7.9.4.1.4.5 STANDBY Mode Switching Characteristics

PARAMETER	TEST CONDITIONS	MIN	MAX	UNIT	
$t_{d(IDLE-XCOL)}$	Delay time, IDLE instruction executed to XCLKOUT low	$32t_{c(SCO)}$	$45t_{c(SCO)}$	cycles	
$t_{d(WAKE-STBY)}$	Delay time, external wake signal to program execution resume ⁽¹⁾	Without input qualifier	$100t_{c(SCO)}$		cycles
			With input qualifier	$100t_{c(SCO)} + t_{w(WAKE-INT)}$	
	Wake up from flash – Flash module in active state	Without input qualifier		$1125t_{c(SCO)}$	
		With input qualifier	$1125t_{c(SCO)} + t_{w(WAKE-INT)}$		
	Wake up from flash – Flash module in sleep state	Without input qualifier	$100t_{c(SCO)}$		cycles
		With input qualifier	$100t_{c(SCO)} + t_{w(WAKE-INT)}$		

(1) This is the time taken to begin execution of the instruction that immediately follows the IDLE instruction. execution of an ISR (triggered by the wake up signal) involves additional latency.

7.9.4.1.4.6 STANDBY Mode Timing Diagram



- A. IDLE instruction is executed to put the device into STANDBY mode.
- B. The PLL block responds to the STANDBY signal. SYSCLKOUT is held for the number of cycles indicated below before being turned off:
- 16 cycles, when DIVSEL = 00 or 01
 - 32 cycles, when DIVSEL = 10
 - 64 cycles, when DIVSEL = 11

This delay enables the CPU pipeline and any other pending operations to flush properly. If an access to XINTF is in progress and its access time is longer than this number then it will fail. It is recommended to enter STANDBY mode from SARAM without an XINTF access in progress.

C. Clock to the peripherals are turned off. However, the PLL and watchdog are not shut down. The device is now in STANDBY mode.

- D. The external wake-up signal is driven active.
- E. After a latency period, the STANDBY mode is exited.
- F. Normal execution resumes. The device will respond to the interrupt (if enabled).
- G. From the time the IDLE instruction is executed to place the device into low-power mode (LPM), wakeup should not be initiated until at least 4 OSCCLK cycles have elapsed.

Figure 7-12. STANDBY Entry and Exit Timing Diagram

7.9.4.1.4.7 HALT Mode Timing Requirements

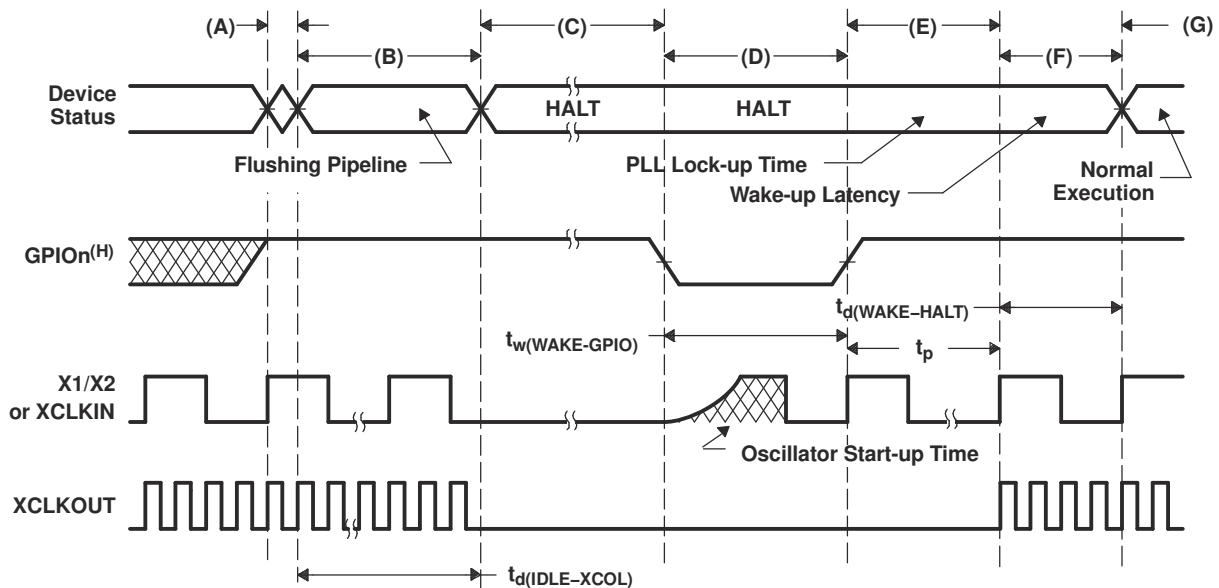
		MIN	MAX	UNIT
$t_{w(WAKE-GPIO)}$	Pulse duration, GPIO wake-up signal	$t_{oscst} + 2t_{c(OSCCLK)}$ ⁽¹⁾		cycles
$t_{w(WAKE-XRS)}$	Pulse duration, \overline{XRS} wakeup signal	$t_{oscst} + 8t_{c(OSCCLK)}$		cycles

(1) See Section 7.9.2.2 for an explanation of t_{oscst} .

7.9.4.1.4.8 HALT Mode Switching Characteristics

PARAMETER		MIN	MAX	UNIT
$t_{d(IDLE-XCOL)}$	Delay time, IDLE instruction executed to XCLKOUT low	$32t_{c(SCO)}$	$45t_{c(SCO)}$	cycles
t_p	PLL lock-up time	$131072t_{c(OSCCLK)}$		cycles
$t_{d(WAKE-HALT)}$	Delay time, PLL lock to program execution resume			
	<ul style="list-style-type: none"> Wake up from flash <ul style="list-style-type: none"> Flash module in sleep state Wake up from SARAM 		$1125t_{c(SCO)}$	cycles
			$35t_{c(SCO)}$	cycles

7.9.4.1.4.9 HALT Mode Timing Diagram



- A. IDLE instruction is executed to put the device into HALT mode.
- B. The PLL block responds to the HALT signal. SYSCLKOUT is held for the number of cycles indicated below before oscillator is turned off and the CLKIN to the core is stopped:
- 16 cycles, when DIVSEL = 00 or 01
 - 32 cycles, when DIVSEL = 10
 - 64 cycles, when DIVSEL = 11

This delay enables the CPU pipeline and any other pending operations to flush properly. If an access to XINTF is in progress and its access time is longer than this number then it will fail. It is recommended to enter HALT mode from SARAM without an XINTF access in progress.

- C. Clocks to the peripherals are turned off and the PLL is shut down. If a quartz crystal or ceramic resonator is used as the clock source, the internal oscillator is shut down as well. The device is now in HALT mode and consumes absolute minimum power.
- D. When the GPIO_{on} pin (used to bring the device out of HALT) is driven low, the oscillator is turned on and the oscillator wake-up sequence is initiated. The GPIO pin should be driven high only after the oscillator has stabilized. This enables the provision of a clean clock signal during the PLL lock sequence. Because the falling edge of the GPIO pin asynchronously begins the wakeup process, care should be taken to maintain a low noise environment prior to entering and during HALT mode.
- E. Once the oscillator has stabilized, the PLL lock sequence is initiated, which takes 131,072 OSCCLK (X1/X2 or X1 or XCLKIN) cycles. Note that these 131,072 clock cycles are applicable even when the PLL is disabled (that is, code execution will be delayed by this duration even when the PLL is disabled).

- F. Clocks to the core and peripherals are enabled. The HALT mode is now exited. The device will respond to the interrupt (if enabled), after a latency.
- G. Normal operation resumes.
- H. From the time the IDLE instruction is executed to place the device into low-power mode (LPM), wakeup should not be initiated until at least 4 OSCCLK cycles have elapsed.

Figure 7-13. HALT Wakeup Using GPIO

7.9.4.2 Enhanced Control Peripherals

7.9.4.2.1 Enhanced Pulse Width Modulator (ePWM) Timing

PWM refers to PWM outputs on ePWM1–6. Section 7.9.4.2.1.1 shows the ePWM timing requirements and Section 7.9.4.2.1.2, ePWM switching characteristics.

7.9.4.2.1.1 ePWM Timing Requirements ⁽¹⁾

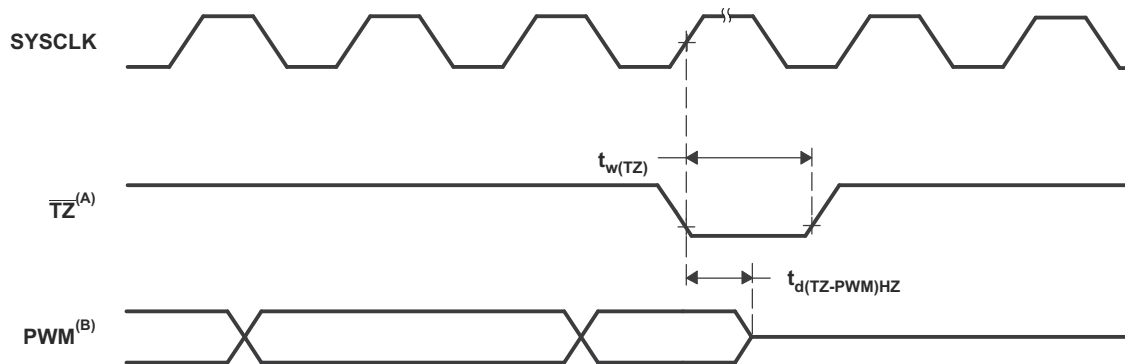
		MIN	MAX	UNIT
$t_{w(\text{SYNIN})}$	Sync input pulse width	Asynchronous	$2t_{c(\text{SCO})}$	cycles
		Synchronous	$2t_{c(\text{SCO})}$	
		With input qualifier	$1t_{c(\text{SCO})} + t_{w(\text{IQSW})}$	

(1) For an explanation of the input qualifier parameters, see Section 7.9.4.1.2.1.

7.9.4.2.1.2 ePWM Switching Characteristics

PARAMETER	TEST CONDITIONS	MIN	MAX	UNIT
$t_{w(\text{PWM})}$	Pulse duration, PWMx output high/low	20		ns
$t_{w(\text{SYNOUT})}$	Sync output pulse width	$8t_{c(\text{SCO})}$		cycles
$t_{d(\text{PWM})\text{tza}}$	Delay time, trip input active to PWM forced high Delay time, trip input active to PWM forced low	no pin load	25	ns
$t_{d(\text{TZ-PWM})\text{HZ}}$	Delay time, trip input active to PWM Hi-Z		20	ns

7.9.4.2.2 Trip-Zone Input Timing



A. $\overline{\text{TZ}}$ - TZ1, TZ2, TZ3, TZ4, TZ5, TZ6

B. PWM refers to all the PWM pins in the device. The state of the PWM pins after $\overline{\text{TZ}}$ is taken high depends on the PWM recovery software.

Figure 7-14. PWM Hi-Z Characteristics

7.9.4.2.2.1 Trip-Zone Input Timing Requirements ⁽¹⁾

		MIN	MAX	UNIT
$t_{w(\text{TZ})}$	Pulse duration, $\overline{\text{TZx}}$ input low	Asynchronous	$1t_{c(\text{SCO})}$	cycles
		Synchronous	$2t_{c(\text{SCO})}$	
		With input qualifier	$1t_{c(\text{SCO})} + t_{w(\text{IQSW})}$	

(1) For an explanation of the input qualifier parameters, see Section 7.9.4.1.2.1.

7.9.4.2.3 High-Resolution PWM Timing

Section 7.9.4.2.3.1 shows the high-resolution PWM switching characteristics.

7.9.4.2.3.1 High-Resolution PWM Characteristics at SYSCLKOUT = (60–150 MHz)

	MIN	TYP	MAX	UNIT
Micro Edge Positioning (MEP) step size ⁽¹⁾		150	310	ps

- (1) The MEP step size will be largest at high temperature and minimum voltage on V_{DD} . MEP step size will increase with higher temperature and lower voltage and decrease with lower temperature and higher voltage. Applications that use the HRPWM feature should use MEP Scale Factor Optimizer (SFO) estimation software functions. See the TI software libraries for details of using SFO function in end applications. SFO functions help to estimate the number of MEP steps per SYSCLKOUT period dynamically while the HRPWM is in operation.

7.9.4.2.4 Enhanced Capture (eCAP) Timing

Section 7.9.4.2.4.1 shows the eCAP timing requirement and Section 7.9.4.2.4.2 shows the eCAP switching characteristics.

7.9.4.2.4.1 Enhanced Capture (eCAP) Timing Requirements ⁽¹⁾

		MIN	MAX	UNIT
$t_{w(CAP)}$	Capture input pulse width	Asynchronous	$2t_{c(SCO)}$	cycles
		Synchronous	$2t_{c(SCO)}$	
		With input qualifier	$1t_{c(SCO)} + t_{w(IQSW)}$	

- (1) For an explanation of the input qualifier parameters, see Section 7.9.4.1.2.1.

7.9.4.2.4.2 eCAP Switching Characteristics

PARAMETER	TEST CONDITIONS	MIN	MAX	UNIT
$t_{w(APWM)}$	Pulse duration, APWMx output high/low	20		ns

7.9.4.2.5 Enhanced Quadrature Encoder Pulse (eQEP) Timing

Section 7.9.4.2.5.1 shows the eQEP timing requirement and Section 7.9.4.2.5.2 shows the eQEP switching characteristics.

7.9.4.2.5.1 Enhanced Quadrature Encoder Pulse (eQEP) Timing Requirements ⁽¹⁾

		MIN	MAX	UNIT
$t_{w(QEPP)}$	QEP input period	Asynchronous ⁽²⁾ /synchronous	$2t_{c(SCO)}$	cycles
		With input qualifier	$2[1t_{c(SCO)} + t_{w(IQSW)}]$	
$t_{w(INDEXH)}$	QEP Index Input High time	Asynchronous ⁽²⁾ /synchronous	$2t_{c(SCO)}$	cycles
		With input qualifier	$2t_{c(SCO)} + t_{w(IQSW)}$	
$t_{w(INDEXL)}$	QEP Index Input Low time	Asynchronous ⁽²⁾ /synchronous	$2t_{c(SCO)}$	cycles
		With input qualifier	$2t_{c(SCO)} + t_{w(IQSW)}$	
$t_{w(STROBH)}$	QEP Strobe High time	Asynchronous ⁽²⁾ /synchronous	$2t_{c(SCO)}$	cycles
		With input qualifier	$2t_{c(SCO)} + t_{w(IQSW)}$	
$t_{w(STROBL)}$	QEP Strobe Input Low time	Asynchronous ⁽²⁾ /synchronous	$2t_{c(SCO)}$	cycles
		With input qualifier	$2t_{c(SCO)} + t_{w(IQSW)}$	

- (1) For an explanation of the input qualifier parameters, see Section 7.9.4.1.2.1.
 (2) Refer to the [TMS320F2833x, TMS320F2823x DSC silicon errata](#) for limitations in the asynchronous mode.

7.9.4.2.5.2 eQEP Switching Characteristics

PARAMETER	TEST CONDITIONS	MIN	MAX	UNIT
$t_{d(CNTR)_{xin}}$	Delay time, external clock to counter increment		$4t_{c(SCO)}$	cycles

PARAMETER		TEST CONDITIONS	MIN	MAX	UNIT
$t_{d(PCS-OUT)QEP}$	Delay time, QEP input edge to position compare sync output			$6t_{c(SCO)}$	cycles

7.9.4.2.6 ADC Start-of-Conversion Timing

7.9.4.2.6.1 External ADC Start-of-Conversion Switching Characteristics

PARAMETER	MIN	MAX	UNIT
$t_{w(ADCSOCL)}$ Pulse duration, ADCSOCxO low	$32t_{c(HCO)}$		cycles

7.9.4.2.6.2 ADCSOCAO or ADCSOCBO Timing

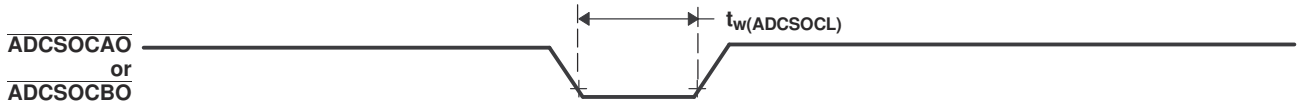


Figure 7-15. ADCSOCAO or ADCSOCBO Timing

7.9.4.3 External Interrupt Timing

7.9.4.3.1 External Interrupt Timing Requirements (1)

PARAMETER	MIN	MAX	UNIT
$t_{w(INT)}$ (2) Pulse duration, INT input low/high	Synchronous	$1t_{c(SCO)}$	cycles
	With qualifier	$1t_{c(SCO)} + t_{w(IQSW)}$	

- (1) For an explanation of the input qualifier parameters, see [Section 7.9.4.1.2.1](#).
 (2) This timing is applicable to any GPIO pin configured for ADCSOC functionality.

7.9.4.3.2 External Interrupt Switching Characteristics (1)

PARAMETER	MIN	MAX	UNIT
$t_{d(INT)}$ Delay time, INT low/high to interrupt-vector fetch		$t_{w(IQSW)} + 12t_{c(SCO)}$	cycles

- (1) For an explanation of the input qualifier parameters, see [Section 7.9.4.1.2.1](#).

7.9.4.3.3 External Interrupt Timing Diagram

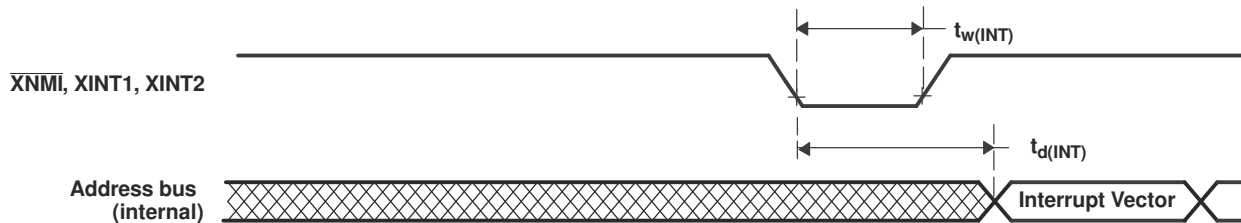


Figure 7-16. External Interrupt Timing

7.9.4.4 I2C Electrical Specification and Timing

7.9.4.4.1 I2C Timing

		TEST CONDITIONS	MIN	MAX	UNIT
f_{SCL}	SCL clock frequency	I2C clock module frequency is between 7 MHz and 12 MHz and I2C prescaler and clock divider registers are configured appropriately		400	kHz
V_{il}	Low level input voltage			$0.3 V_{DDIO}$	V
V_{ih}	High level input voltage		$0.7 V_{DDIO}$		V
V_{hys}	Input hysteresis		$0.05 V_{DDIO}$		V
V_{ol}	Low level output voltage	3-mA sink current	0	0.4	V
t_{LOW}	Low period of SCL clock	I2C clock module frequency is between 7 MHz and 12 MHz and I2C prescaler and clock divider registers are configured appropriately	1.3		μs
t_{HIGH}	High period of SCL clock	I2C clock module frequency is between 7 MHz and 12 MHz and I2C prescaler and clock divider registers are configured appropriately	0.6		μs
I_I	Input current with an input voltage between $0.1 V_{DDIO}$ and $0.9 V_{DDIO MAX}$		-10	10	μA

7.9.4.5 Serial Peripheral Interface (SPI) Timing

This section contains both Master Mode and Slave Mode timing data.

7.9.4.5.1 Master Mode Timing

Section 7.9.4.5.1.1 lists the master mode timing (clock phase = 0) and Section 7.9.4.5.1.2 lists the master mode timing (clock phase = 1). Figure 7-17 and Figure 7-18 show the timing waveforms.

7.9.4.5.1.1 SPI Master Mode External Timing (Clock Phase = 0) (1) (2) (3) (4) (5)

NO.	PARAMETER	BRR EVEN		BRR ODD		UNIT
		MIN	MAX	MIN	MAX	
1	$t_{c(SPC)M}$ Cycle time, SPICLK	$4t_{c(LSPCLK)}$	$128t_{c(LSPCLK)}$	$5t_{c(LSPCLK)}$	$127t_{c(LSPCLK)}$	ns
2	$t_{w(SPC1)M}$ Pulse duration, SPICLK first pulse	$0.5t_{c(SPC)M} - 10$	$0.5t_{c(SPC)M} + 10$	$0.5t_{c(SPC)M} + 0.5t_{c(LSPCLK)} - 10$	$0.5t_{c(SPC)M} + 0.5t_{c(LSPCLK)} + 10$	ns
3	$t_{w(SPC2)M}$ Pulse duration, SPICLK second pulse	$0.5t_{c(SPC)M} - 10$	$0.5t_{c(SPC)M} + 10$	$0.5t_{c(SPC)M} - 0.5t_{c(LSPCLK)} - 10$	$0.5t_{c(SPC)M} - 0.5t_{c(LSPCLK)} + 10$	ns
4	$t_{d(SIMO)M}$ Delay time, SPICLK to SPISIMO valid		10		10	ns
5	$t_{v(SIMO)M}$ Valid time, SPISIMO valid after SPICLK	$0.5t_{c(SPC)M} - 10$		$0.5t_{c(SPC)M} - 0.5t_{c(LSPCLK)} - 10$		ns
8	$t_{su(SOMI)M}$ Setup time, SPISOMI before SPICLK	35		35		ns
9	$t_{h(SOMI)M}$ Hold time, SPISOMI valid after SPICLK	0		0		ns
23	$t_{d(SPC)M}$ Delay time, SPISTE active to SPICLK	$1.5t_{c(SPC)M} - 3t_{c(SYSCLK)} - 10$		$1.5t_{c(SPC)M} - 3t_{c(SYSCLK)} - 10$		ns
24	$t_{d(STE)M}$ Delay time, SPICLK to SPISTE inactive	$0.5t_{c(SPC)M} - 10$		$0.5t_{c(SPC)M} - 0.5t_{c(LSPCLK)} - 10$		ns

- (1) The MASTER / SLAVE bit (SPICTL.2) is set and the CLOCK PHASE bit (SPICTL.3) is cleared.
- (2) $t_{c(SPC)} = \text{SPI clock cycle time} = \text{LSPCLK}/4$ or $\text{LSPCLK}/(\text{SPIBRR} + 1)$
- (3) $t_{c(LCO)} = \text{LSPCLK cycle time}$
- (4) Internal clock prescalers must be adjusted such that the SPI clock speed is limited to the following SPI clock rate:
Master mode transmit 25-MHz MAX, master mode receive 12.5-MHz MAX
Slave mode transmit 12.5-MHz MAX, slave mode receive 12.5-MHz MAX.
- (5) The active edge of the SPICLK signal referenced is controlled by the clock polarity bit (SPICCR.6).

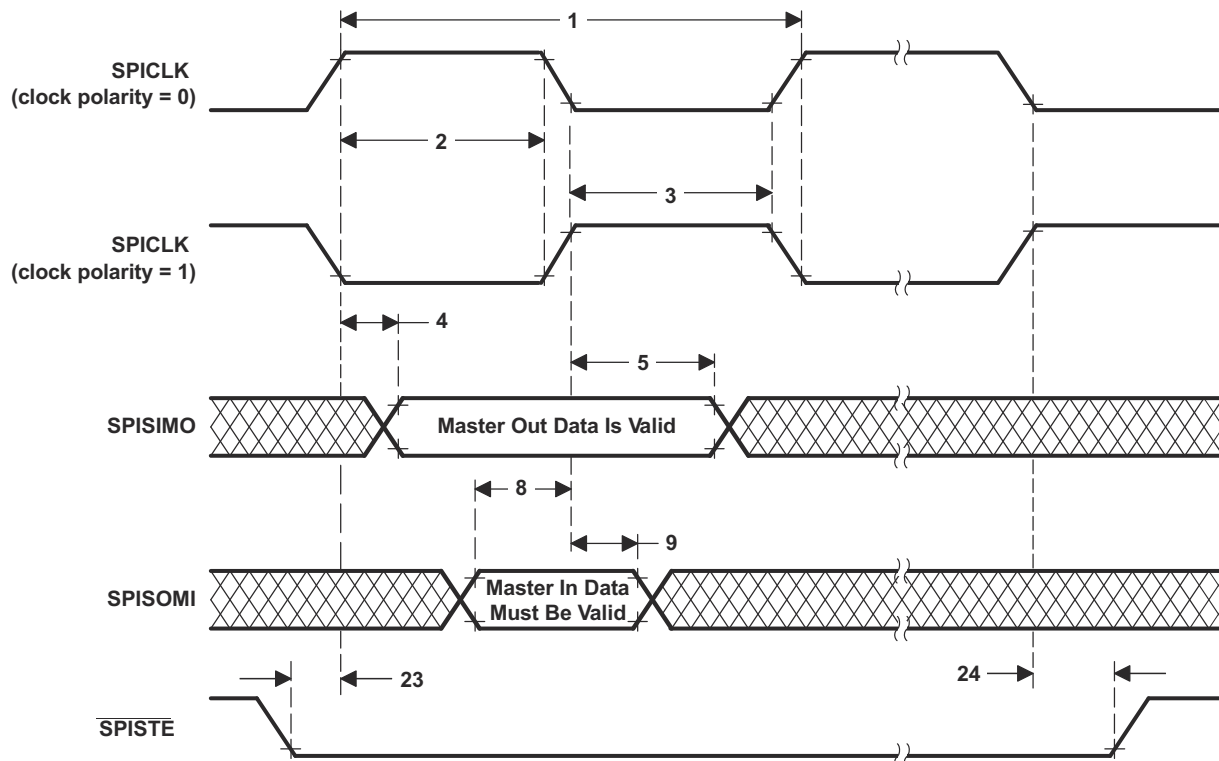


Figure 7-17. SPI Master Mode External Timing (Clock Phase = 0)

7.9.4.5.1.2 SPI Master Mode External Timing (Clock Phase = 1) (1) (2) (3) (4) (5)

NO.	PARAMETER	BRR EVEN		BRR ODD		UNIT
		MIN	MAX	MIN	MAX	
1	$t_{c(SPC)M}$ Cycle time, SPICLK	$4t_{c(LSPCLK)}$	$128t_{c(LSPCLK)}$	$5t_{c(LSPCLK)}$	$127t_{c(LSPCLK)}$	ns
2	$t_{w(SPC1)M}$ Pulse duration, SPICLK first pulse	$0.5t_{c(SPC)M} - 10$	$0.5t_{c(SPC)M} + 10$	$0.5t_{c(SPC)M} - 0.5t_{c(LSPCLK)} - 10$	$0.5t_{c(SPC)M} - 0.5t_{c(LSPCLK)} + 10$	ns
3	$t_{w(SPC2)M}$ Pulse duration, SPICLK second pulse	$0.5t_{c(SPC)M} - 10$	$0.5t_{c(SPC)M} + 10$	$0.5t_{c(SPC)M} + 0.5t_{c(LSPCLK)} - 10$	$0.5t_{c(SPC)M} + 0.5t_{c(LSPCLK)} + 10$	ns
6	$t_{d(SIMO)M}$ Delay time, SPISIMO valid to SPICLK	$0.5t_{c(SPC)M} - 10$		$0.5t_{c(SPC)M} + 0.5t_{c(LSPCLK)} - 10$		ns
7	$t_{v(SIMO)M}$ Valid time, SPISIMO valid after SPICLK	$0.5t_{c(SPC)M} - 10$		$0.5t_{c(SPC)M} - 0.5t_{c(LSPCLK)} - 10$		ns
10	$t_{su(SOMI)M}$ Setup time, SPISOMI before SPICLK	35		35		ns
11	$t_{h(SOMI)M}$ Hold time, SPISOMI valid after SPICLK	0		0		ns
23	$t_{d(SPC)M}$ Delay time, \overline{SPISTE} active to SPICLK	$2t_{c(SPC)M} - 3t_{c(SYSCLK)} - 10$		$2t_{c(SPC)M} - 3t_{c(SYSCLK)} - 10$		ns
24	$t_{d(STE)M}$ Delay time, SPICLK to \overline{SPISTE} inactive	$0.5t_{c(SPC)} - 10$		$0.5t_{c(SPC)} - 0.5t_{c(LSPCLK)} - 10$		ns

- (1) The MASTER/SLAVE bit (SPICTL.2) is set and the CLOCK PHASE bit (SPICTL.3) is set.
- (2) $t_{c(SPC)} = \text{SPI clock cycle time} = \text{LSPCLK}/4$ or $\text{LSPCLK}/(\text{SPIBRR} + 1)$
- (3) Internal clock prescalers must be adjusted such that the SPI clock speed is limited to the following SPI clock rate:
Master mode transmit 25 MHz MAX, master mode receive 12.5 MHz MAX
Slave mode transmit 12.5 MHz MAX, slave mode receive 12.5 MHz MAX.
- (4) $t_{c(LCO)} = \text{LSPCLK cycle time}$
- (5) The active edge of the SPICLK signal referenced is controlled by the CLOCK POLARITY bit (SPICCR.6).

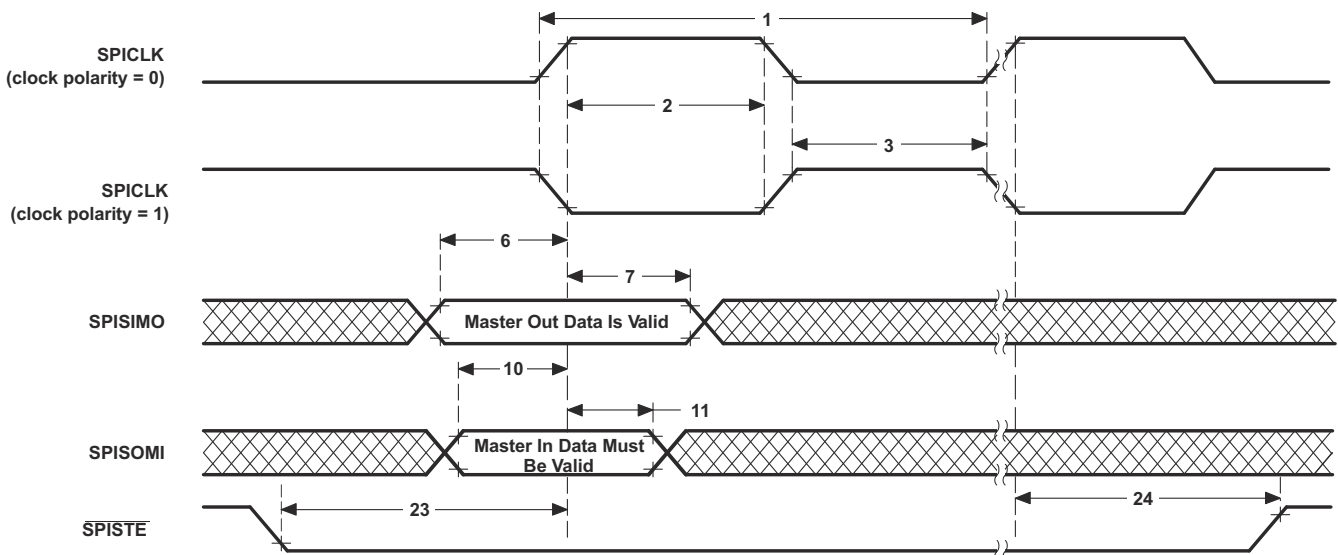


Figure 7-18. SPI Master Mode External Timing (Clock Phase = 1)

7.9.4.5.2 Slave Mode Timing

Section 7.9.4.5.2.1 lists the slave mode timing (clock phase = 0) and Section 7.9.4.5.2.2 lists the slave mode timing (clock phase = 1). Figure 7-19 and Figure 7-20 show the timing waveforms.

7.9.4.5.2.1 SPI Slave Mode External Timing (Clock Phase = 0) (1) (2) (4) (3) (5)

NO.	PARAMETER	MIN	MAX	UNIT
12	$t_{c(SPC)S}$ Cycle time, SPICLK	$4t_{c(SYSCLK)}$		ns
13	$t_{w(SPC1)S}$ Pulse duration, SPICLK first pulse	$2t_{c(SYSCLK)} - 1$		ns
14	$t_{w(SPC2)S}$ Pulse duration, SPICLK second pulse	$2t_{c(SYSCLK)} - 1$		ns
15	$t_{d(SOMI)S}$ Delay time, SPICLK to SPISOMI valid		35	ns
16	$t_{v(SOMI)S}$ Valid time, SPISOMI data valid after SPICLK	0		ns
19	$t_{su(SIMO)S}$ Setup time, SPISIMO valid before SPICLK	$1.5t_{c(SYSCLK)}$		ns
20	$t_{h(SIMO)S}$ Hold time, SPISIMO data valid after SPICLK	$1.5t_{c(SYSCLK)}$		ns
25	$t_{su(STE)S}$ Setup time, \overline{SPISTE} active before SPICLK	$1.5t_{c(SYSCLK)}$		ns
26	$t_{h(STE)S}$ Hold time, \overline{SPISTE} inactive after SPICLK	$1.5t_{c(SYSCLK)}$		ns

- (1) The MASTER / SLAVE bit (SPICTL.2) is cleared and the CLOCK PHASE bit (SPICTL.3) is cleared.
- (2) $t_{c(SPC)} = \text{SPI clock cycle time} = \text{LSPCLK}/4$ or $\text{LSPCLK}/(\text{SPIBRR} + 1)$
- (3) $t_{c(LCO)} = \text{LSPCLK cycle time}$
- (4) Internal clock prescalars must be adjusted such that the SPI clock speed is limited to the following SPI clock rate:
Master mode transmit 25-MHz MAX, master mode receive 12.5-MHz MAX
Slave mode transmit 12.5-MHz MAX, slave mode receive 12.5-MHz MAX.
- (5) The active edge of the SPICLK signal referenced is controlled by the CLOCK POLARITY bit (SPICCR.6).

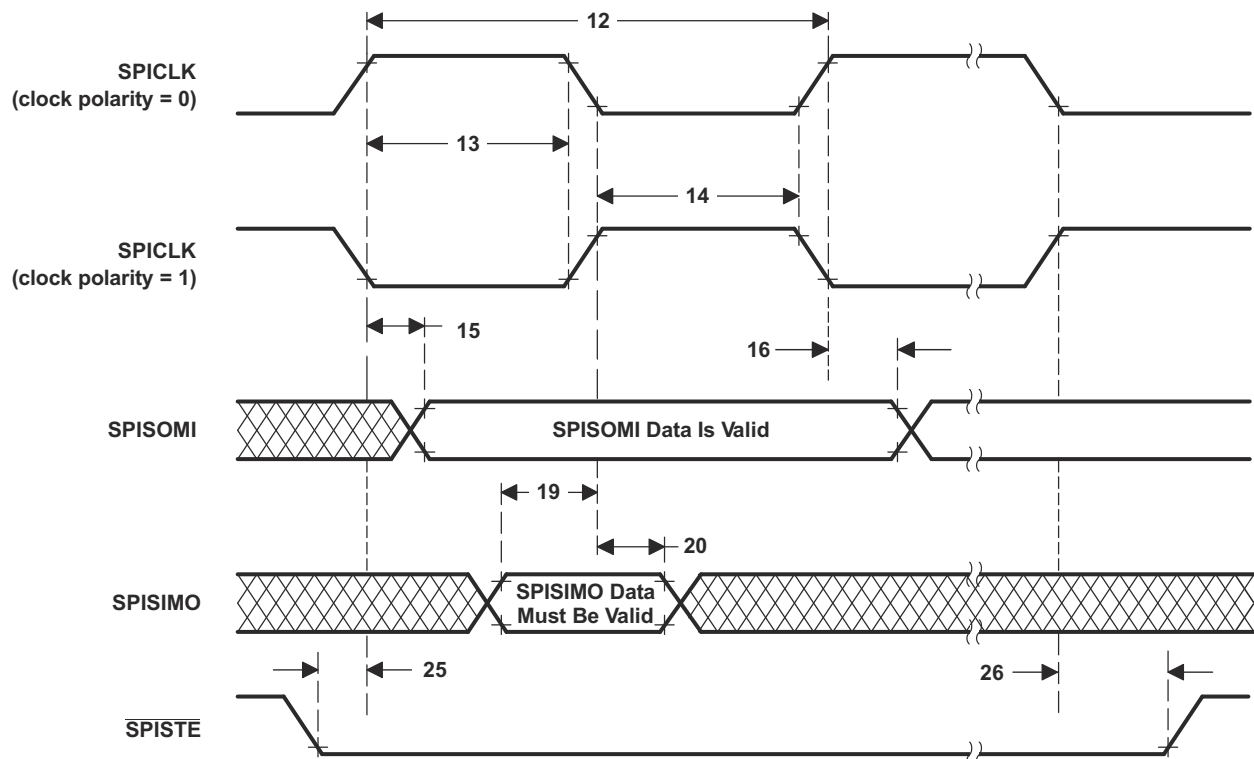


Figure 7-19. SPI Slave Mode External Timing (Clock Phase = 0)

7.9.4.5.2.2 SPI Slave Mode External Timing (Clock Phase = 1) (1) (2) (3) (4)

NO.	PARAMETER		MIN	MAX	UNIT
12	$t_{c(SPC)}$ S	Cycle time, SPICLK	$4t_{c(SYSCLK)}$		ns
13	$t_{w(SPC1)}$ S	Pulse duration, SPICLK first pulse	$2t_{c(SYSCLK)} - 1$		ns
14	$t_{w(SPC2)}$ S	Pulse duration, SPICLK second pulse	$2t_{c(SYSCLK)} - 1$		ns
17	$t_{d(SOMI)}$ S	Delay time, SPICLK to SPISOMI valid		35	ns
18	$t_{v(SOMI)}$ S	Valid time, SPISOMI data valid after SPICLK	0		ns
21	$t_{su(SIMO)}$ S	Setup time, SPISIMO valid before SPICLK	$1.5t_{c(SYSCLK)}$		ns
22	$t_{h(SIMO)}$ S	Hold time, SPISIMO data valid after SPICLK	$1.5t_{c(SYSCLK)}$		ns
25	$t_{su(STE)}$ S	Setup time, \overline{SPISTE} active before SPICLK	$1.5t_{c(SYSCLK)}$		ns
26	$t_{h(STE)}$ S	Hold time, \overline{SPISTE} inactive after SPICLK	$1.5t_{c(SYSCLK)}$		ns

- (1) The MASTER / SLAVE bit (SPICTL.2) is cleared and the CLOCK PHASE bit (SPICTL.3) is cleared.
- (2) $t_{c(SPC)} = \text{SPI clock cycle time} = \text{LSPCLK}/4$ or $\text{LSPCLK}/(\text{SPIBRR} + 1)$
- (3) Internal clock prescalers must be adjusted such that the SPI clock speed is limited to the following SPI clock rate:
Master mode transmit 25-MHz MAX, master mode receive 12.5-MHz MAX
Slave mode transmit 12.5-MHz MAX, slave mode receive 12.5-MHz MAX.
- (4) The active edge of the SPICLK signal referenced is controlled by the CLOCK POLARITY bit (SPICCR.6).

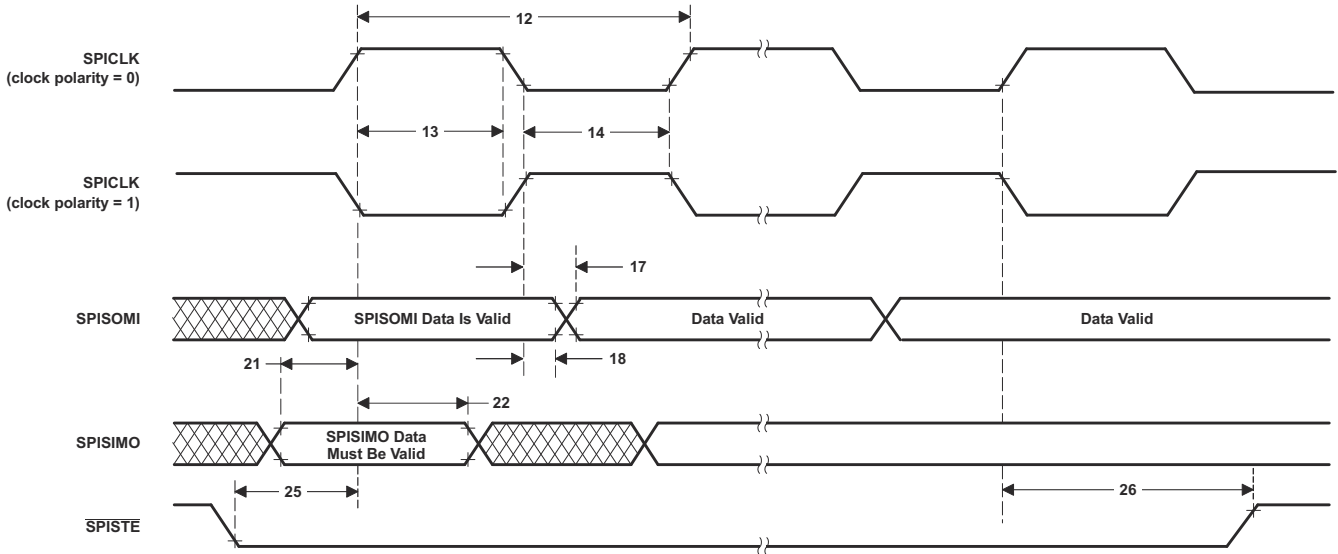


Figure 7-20. SPI Slave Mode External Timing (Clock Phase = 1)

7.9.4.6 Multichannel Buffered Serial Port (McBSP) Timing

7.9.4.6.1 McBSP Transmit and Receive Timing

7.9.4.6.1.1 McBSP Timing Requirements ⁽¹⁾ ⁽²⁾

NO.				MIN	MAX	UNIT
		McBSP module clock (CLKG, CLKX, CLKR) range		1		kHz
					25 ⁽³⁾	MHz
		McBSP module cycle time (CLKG, CLKX, CLKR) range		40		ns
					1	ms
M11	$t_{c(CKRX)}$	Cycle time, CLKR/X	CLKR/X ext	2P		ns
M12	$t_{w(CKRX)}$	Pulse duration, CLKR/X high or CLKR/X low	CLKR/X ext	P – 7		ns
M13	$t_{r(CKRX)}$	Rise time, CLKR/X	CLKR/X ext		7	ns
M14	$t_{f(CKRX)}$	Fall time, CLKR/X	CLKR/X ext		7	ns
M15	$t_{su(FRH-CKRL)}$	Setup time, external FSR high before CLKR low	CLKR int	18		ns
			CLKR ext	2		
M16	$t_{h(CKRL-FRH)}$	Hold time, external FSR high after CLKR low	CLKR int	0		ns
			CLKR ext	6		
M17	$t_{su(DRV-CKRL)}$	Setup time, DR valid before CLKR low	CLKR int	18		ns
			CLKR ext	2		
M18	$t_{h(CKRL-DRV)}$	Hold time, DR valid after CLKR low	CLKR int	0		ns
			CLKR ext	6		
M19	$t_{su(FXH-CKXL)}$	Setup time, external FSX high before CLKX low	CLKX int	18		ns
			CLKX ext	2		
M20	$t_{h(CKXL-FXH)}$	Hold time, external FSX high after CLKX low	CLKX int	0		ns
			CLKX ext	6		

(1) Polarity bits CLKRP = CLKXP = FSRP = FSXP = 0. If the polarity of any of the signals is inverted, then the timing references of that signal are also inverted.

(2) $2P = 1/CLKG$ in ns. CLKG is the output of sample rate generator mux. $CLKG = \frac{CLKSRG}{(1 + CLKGDV)}$ CLKSRG can be LSPCLK, CLKX, CLKR as source. $CLKSRG \leq (SYSCLKOUT/2)$. McBSP performance is limited by I/O buffer switching speed.

(3) Internal clock prescalers must be adjusted such that the McBSP clock (CLKG, CLKX, CLKR) speeds are not greater than the I/O buffer speed limit (25 MHz).

7.9.4.6.1.2 McBSP Switching Characteristics ⁽¹⁾ ⁽²⁾

NO.	PARAMETER		MIN	MAX	UNIT		
M1	$t_{c(CKRX)}$	Cycle time, CLKR/X	CLKR/X int	2P	ns		
M2	$t_{w(CKRXH)}$	Pulse duration, CLKR/X high	CLKR/X int	D – 5 ⁽³⁾ D + 5 ⁽³⁾	ns		
M3	$t_{w(CKRXL)}$	Pulse duration, CLKR/X low	CLKR/X int	C – 5 ⁽³⁾ C + 5 ⁽³⁾	ns		
M4	$t_{d(CKRH-FRV)}$	Delay time, CLKR high to internal FSR valid	CLKR int	0 4	ns		
			CLKR ext	3 27			
M5	$t_{d(CLKH-FXV)}$	Delay time, CLKX high to internal FSX valid	CLKX int	0 4	ns		
			CLKX ext	3 27			
M6	$t_{dis(CKXH-DXHZ)}$	Disable time, CLKX high to DX high impedance following last data bit	CLKX int	8	ns		
			CLKX ext	14			
M7	$t_{d(CKXH-DXV)}$	Delay time, CLKX high to DX valid. This applies to all bits except the first bit transmitted.	CLKX int	9	ns		
			CLKX ext	28			
		Delay time, CLKX high to DX valid Only applies to first bit transmitted when in Data Delay 1 or 2 (XDATDLY=01b or 10b) modes	DXENA = 0	CLKX int		8	
			DXENA = 1	CLKX int		P + 8	
				DXENA = 0		CLKX ext	14
				DXENA = 1		CLKX ext	P + 14

- (1) Polarity bits CLKRP = CLKXP = FSRP = FSXP = 0. If the polarity of any of the signals is inverted, then the timing references of that signal are also inverted.
- (2) 2P = 1/CLKG in ns.
- (3) C = CLKRX low pulse width = P
D = CLKRX high pulse width = P

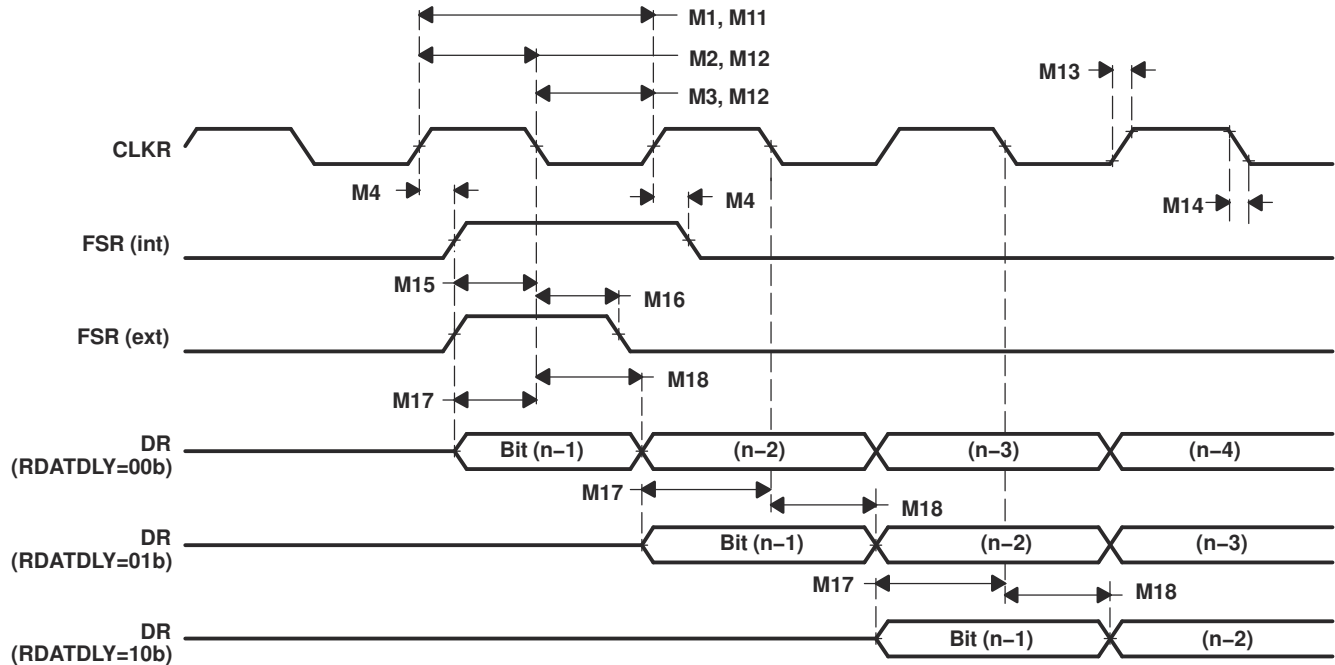


Figure 7-21. McBSP Receive Timing

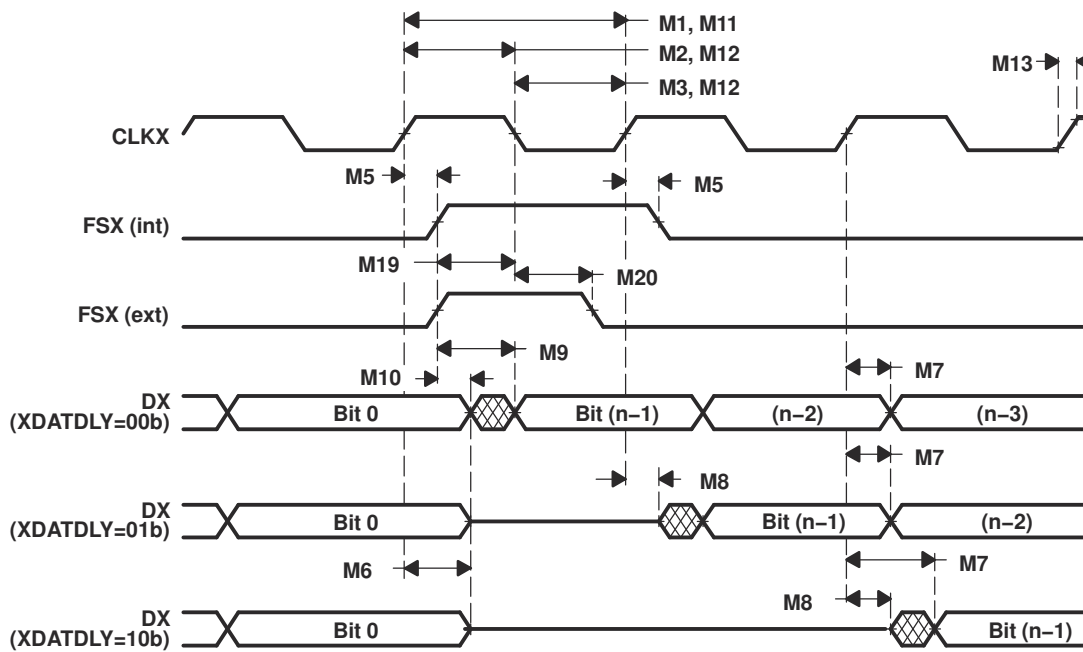


Figure 7-22. McBSP Transmit Timing

7.9.4.6.2 McBSP as SPI Master or Slave Timing

7.9.4.6.2.1 McBSP as SPI Master or Slave Timing Requirements (CLKSTP = 10b, CLKXP = 0) (1)

NO.			MASTER		SLAVE		UNIT
			MIN	MAX	MIN	MAX	
M30	$t_{su}(DRV-CKXL)$	Setup time, DR valid before CLKX low	30		8P – 10		ns
M31	$t_h(CKXL-DRV)$	Hold time, DR valid after CLKX low	1		8P – 10		ns
M32	$t_{su}(BFXL-CKXH)$	Setup time, FSX low before CLKX high			8P + 10		ns
M33	$t_c(CKX)$	Cycle time, CLKX	2P(2)		16P		ns

- (1) For all SPI slave modes, CLKX must be a minimum of 8 CLKG cycles. Furthermore, CLKG should be LSPCLK/2 by setting CLKSM = CLKGDV = 1.
- (2) 2P = 1/CLKG

7.9.4.6.2.2 McBSP as SPI Master or Slave Switching Characteristics (CLKSTP = 10b, CLKXP = 0)

NO.	PARAMETER	MASTER		SLAVE		UNIT
		MIN	MAX	MIN	MAX	
M24	$t_h(CKXL-FXL)$	2P(1)				ns
M25	$t_d(FXL-CKXH)$	P				ns
M28	$t_{dis}(FXH-DXHZ)$	6		6P + 6		ns
M29	$t_d(FXL-DXV)$	6		4P + 6		ns

- (1) 2P = 1/CLKG

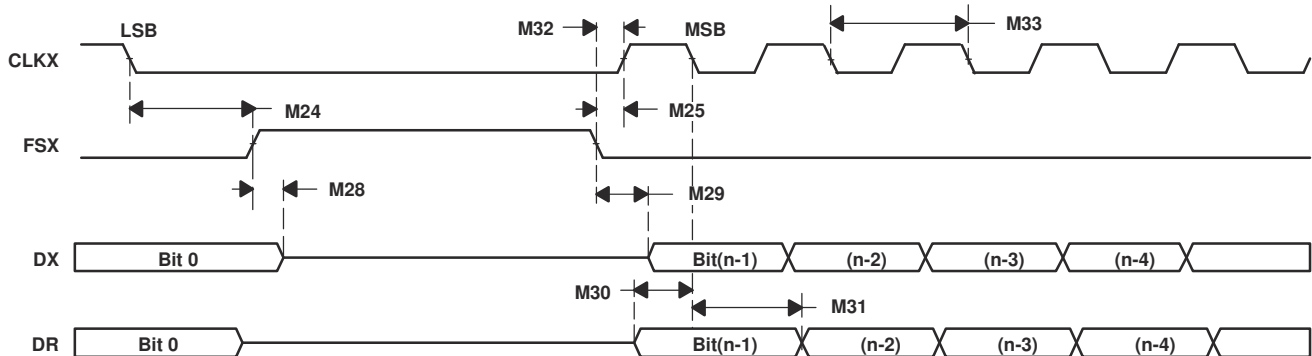


Figure 7-23. McBSP Timing as SPI Master or Slave: CLKSTP = 10b, CLKXP = 0

7.9.4.6.2.3 McBSP as SPI Master or Slave Timing Requirements (CLKSTP = 11b, CLKXP = 0) ⁽¹⁾

NO.			MASTER		SLAVE		UNIT
			MIN	MAX	MIN	MAX	
M39	$t_{su}(DRV-CKXH)$	Setup time, DR valid before CLKX high	30		8P – 10		ns
M40	$t_h(CKXH-DRV)$	Hold time, DR valid after CLKX high	1		8P – 10		ns
M41	$t_{su}(FXL-CKXH)$	Setup time, FSX low before CLKX high			16P + 10		ns
M42	$t_c(CKX)$	Cycle time, CLKX	2P ⁽²⁾		16P		ns

(1) For all SPI slave modes, CLKX must be a minimum of 8 CLKG cycles. Furthermore, CLKG should be LSPCLK/2 by setting CLKSM = CLKGDV = 1.

(2) 2P = 1/CLKG

7.9.4.6.2.4 McBSP as SPI Master or Slave Switching Characteristics (CLKSTP = 11b, CLKXP = 0)

NO.	PARAMETER	MASTER		SLAVE		UNIT
		MIN	MAX	MIN	MAX	
M34	$t_h(CKXL-FXL)$	Hold time, FSX low after CLKX low	P			ns
M35	$t_d(FXL-CKXH)$	Delay time, FSX low to CLKX high	2P ⁽¹⁾			ns
M37	$t_{dis}(CKXL-DXHZ)$	Disable time, DX high impedance following last data bit from CLKX low	P + 6		7P + 6	ns
M38	$t_d(FXL-DXV)$	Delay time, FSX low to DX valid	6		4P + 6	ns

(1) 2P = 1/CLKG

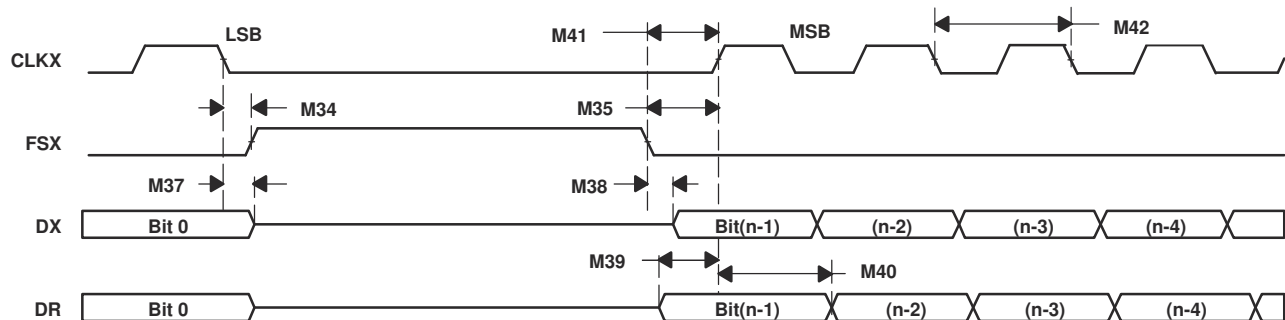


Figure 7-24. McBSP Timing as SPI Master or Slave: CLKSTP = 11b, CLKXP = 0

7.9.4.6.2.5 McBSP as SPI Master or Slave Timing Requirements (CLKSTP = 10b, CLKXP = 1) ⁽¹⁾

NO.			MASTER		SLAVE		UNIT
			MIN	MAX	MIN	MAX	
M49	$t_{su(DRV-CKXH)}$	Setup time, DR valid before CLKX high	30		8P – 10		ns
M50	$t_h(CKXH-DRV)$	Hold time, DR valid after CLKX high	1		8P – 10		ns
M51	$t_{su(FXL-CKXL)}$	Setup time, FSX low before CLKX low			8P + 10		ns
M52	$t_c(CKX)$	Cycle time, CLKX	2P ⁽²⁾		16P		ns

(1) For all SPI slave modes, CLKX must be a minimum of 8 CLKG cycles. Furthermore, CLKG should be LSPCLK/2 by setting CLKSM = CLKGDV = 1.

(2) 2P = 1/CLKG

7.9.4.6.2.6 McBSP as SPI Master or Slave Switching Characteristics (CLKSTP = 10b, CLKXP = 1)

NO.	PARAMETER	MASTER		SLAVE		UNIT
		MIN	MAX	MIN	MAX	
M43	$t_h(CKXH-FXL)$	2P ⁽¹⁾				ns
M44	$t_d(FXL-CKXL)$	P				ns
M47	$t_{dis}(FXH-DXHZ)$	6		6P + 6		ns
M48	$t_d(FXL-DXV)$	6		4P + 6		ns

(1) 2P = 1/CLKG

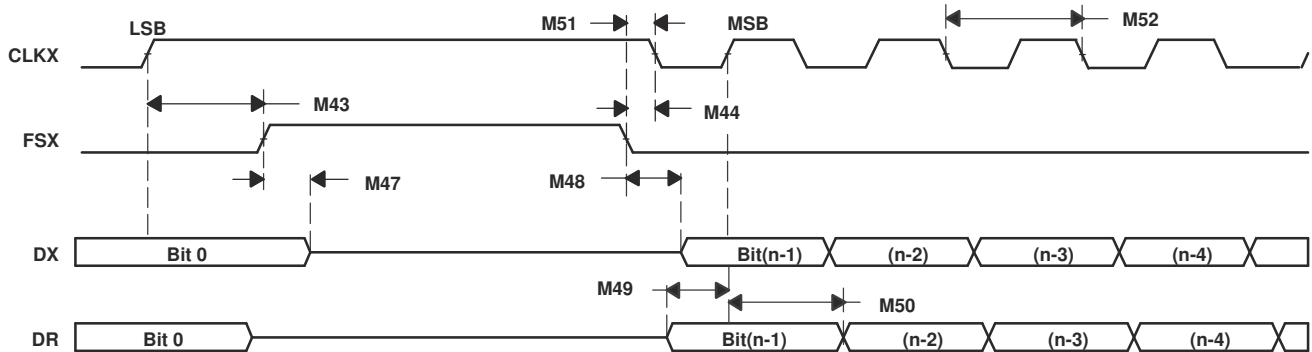


Figure 7-25. McBSP Timing as SPI Master or Slave: CLKSTP = 10b, CLKXP = 1

7.9.4.6.2.7 McBSP as SPI Master or Slave Timing Requirements (CLKSTP = 11b, CLKXP = 1) ⁽¹⁾

NO.			MASTER		SLAVE		UNIT
			MIN	MAX	MIN	MAX	
M58	$t_{su}(DRV-CKXL)$	Setup time, DR valid before CLKX low	30		8P – 10		ns
M59	$t_h(CKXL-DRV)$	Hold time, DR valid after CLKX low	1		8P – 10		ns
M60	$t_{su}(FXL-CKXL)$	Setup time, FSX low before CLKX low			16P + 10		ns
M61	$t_c(CKX)$	Cycle time, CLKX	2P ⁽²⁾		16P		ns

(1) For all SPI slave modes, CLKX must be a minimum of 8 CLKG cycles. Furthermore, CLKG should be LSPCLK/2 by setting CLKSM = CLKGDV = 1.

(2) 2P = 1/CLKG

7.9.4.6.2.8 McBSP as SPI Master or Slave Switching Characteristics (CLKSTP = 11b, CLKXP = 1) ⁽¹⁾

NO.	PARAMETER	MASTER ⁽²⁾		SLAVE		UNIT
		MIN	MAX	MIN	MAX	
M53	$t_h(CKXH-FXL)$	P				ns
M54	$t_d(FXL-CKXL)$	2P ⁽¹⁾				ns
M55	$t_d(CLKXH-DXV)$	-2	0	3P + 6	5P + 20	ns
M56	$t_{dis}(CKXH-DXHZ)$	P + 6		7P + 6		ns
M57	$t_d(FXL-DXV)$	6		4P + 6		ns

(1) 2P = 1/CLKG

(2) C = CLKX low pulse width = P
 D = CLKX high pulse width = P

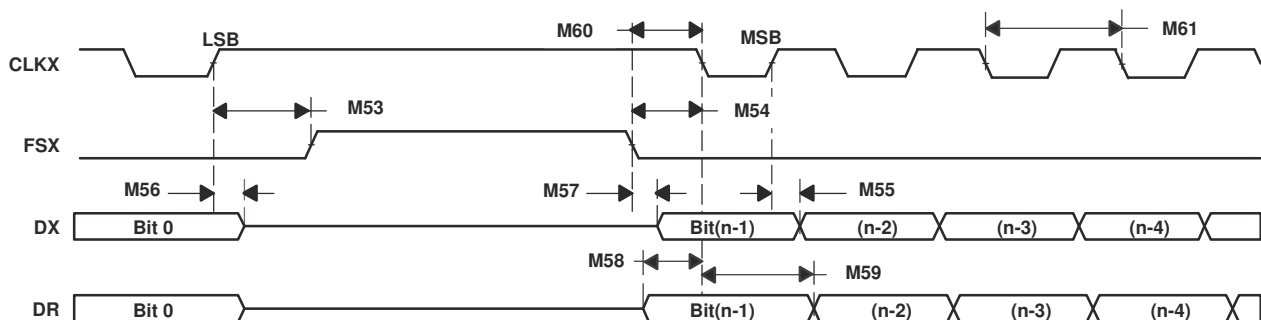


Figure 7-26. McBSP Timing as SPI Master or Slave: CLKSTP = 11b, CLKXP = 1

7.9.5 Emulator Connection Without Signal Buffering for the DSP

Figure 7-27 shows the connection between the DSP and JTAG header for a single-processor configuration. If the distance between the JTAG header and the DSP is greater than 6 inches, the emulation signals must be buffered. If the distance is less than 6 inches, buffering is typically not needed. Figure 7-27 shows the simpler, no-buffering situation. For the pullup/pulldown resistor values, see the pin description section. For details on buffering JTAG signals and multiple processor connections, see the [TMS320F/C24x DSP controllers CPU and instruction set reference guide](#).

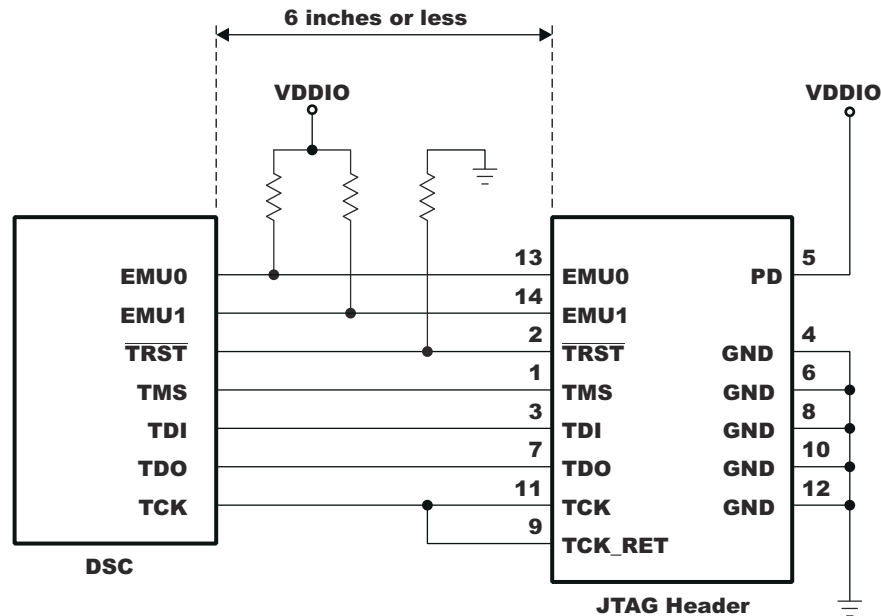


Figure 7-27. Emulator Connection Without Signal Buffering for the DSP

7.9.6 External Interface (XINTF) Timing

Each XINTF access consists of three parts: Lead, Active, and Trail. The user configures the Lead/Active/Trail wait states in the XTIMING registers. There is one XTIMING register for each XINTF zone. Table 7-2 shows the relationship between the parameters configured in the XTIMING register and the duration of the pulse in terms of XTIMCLK cycles.

Table 7-2. Relationship Between Parameters Configured in XTIMING and Duration of Pulse

DESCRIPTION		DURATION (ns) ^{(1) (2)}	
		X2TIMING = 0	X2TIMING = 1
LR	Lead period, read access	$\text{XRDLEAD} \times t_{c(\text{XTIM})}$	$(\text{XRDLEAD} \times 2) \times t_{c(\text{XTIM})}$
AR	Active period, read access	$(\text{XRDACTIVE} + \text{WS} + 1) \times t_{c(\text{XTIM})}$	$(\text{XRDACTIVE} \times 2 + \text{WS} + 1) \times t_{c(\text{XTIM})}$
TR	Trail period, read access	$\text{XRDTRAIL} \times t_{c(\text{XTIM})}$	$(\text{XRDTRAIL} \times 2) \times t_{c(\text{XTIM})}$
LW	Lead period, write access	$\text{XWRLEAD} \times t_{c(\text{XTIM})}$	$(\text{XWRLEAD} \times 2) \times t_{c(\text{XTIM})}$
AW	Active period, write access	$(\text{XWRACTIVE} + \text{WS} + 1) \times t_{c(\text{XTIM})}$	$(\text{XWRACTIVE} \times 2 + \text{WS} + 1) \times t_{c(\text{XTIM})}$
TW	Trail period, write access	$\text{XWRTRAIL} \times t_{c(\text{XTIM})}$	$(\text{XWRTRAIL} \times 2) \times t_{c(\text{XTIM})}$

(1) $t_{c(\text{XTIM})}$ – Cycle time, XTIMCLK

(2) WS refers to the number of wait states inserted by hardware when using XREADY. If the zone is configured to ignore XREADY (USEREADY = 0), then WS = 0.

Minimum wait-state requirements must be met when configuring each zone's XTIMING register. These requirements are in addition to any timing requirements as specified by that device's data sheet. No internal device hardware is included to detect illegal settings.

7.9.6.1 USEREADY = 0

If the XREADY signal is ignored (USEREADY = 0), then:

Lead: $\text{LR} \geq t_{c(\text{XTIM})}$
 $\text{LW} \geq t_{c(\text{XTIM})}$

These requirements result in the following XTIMING register configuration restrictions:

XRDLEAD	XRDACTIVE	XRDTRAIL	XWRLEAD	XWRACTIVE	XWRTRAIL	X2TIMING
≥ 1	≥ 0	≥ 0	≥ 1	≥ 0	≥ 0	0, 1

Examples of valid and invalid timing when not sampling XREADY:

	XRDLEAD	XRDACTIVE	XRDTRAIL	XWRLEAD	XWRACTIVE	XWRTRAIL	X2TIMING
Invalid ⁽¹⁾	0	0	0	0	0	0	0, 1
Valid	1	0	0	1	0	0	0, 1

(1) No hardware to detect illegal XTIMING configurations

7.9.6.2 Synchronous Mode (USEREADY = 1, READYMODE = 0)

If the XREADY signal is sampled in the synchronous mode (USEREADY = 1, READYMODE = 0), then:

- | | | |
|---|---------|--|
| 1 | Lead: | $LR \geq t_{c(XTIM)}$
$LW \geq t_{c(XTIM)}$ |
| 2 | Active: | $AR \geq 2 \times t_{c(XTIM)}$
$AW \geq 2 \times t_{c(XTIM)}$ |

Note

Restriction does not include external hardware wait states.

These requirements result in the following XTIMING register configuration restrictions :

XRDLEAD	XRDACTIVE	XRDTRAIL	XWRLEAD	XWRACTIVE	XWRTRAIL	X2TIMING
≥ 1	≥ 2	≥ 0	≥ 1	≥ 2	≥ 0	0, 1

Examples of valid and invalid timing when using synchronous XREADY:

	XRDLEAD	XRDACTIVE	XRDTRAIL	XWRLEAD	XWRACTIVE	XWRTRAIL	X2TIMING
Invalid ⁽¹⁾	0	0	0	0	0	0	0, 1
Invalid ⁽¹⁾	1	0	0	1	0	0	0, 1
Valid	1	2	0	1	2	0	0, 1

(1) No hardware to detect illegal XTIMING configurations

7.9.6.3 Asynchronous Mode (USEREADY = 1, READYMODE = 1)

If the XREADY signal is sampled in the asynchronous mode (USEREADY = 1, READYMODE = 1), then:

- | | | |
|---|----------------|--|
| 1 | Lead: | $LR \geq t_{c(XTIM)}$
$LW \geq t_{c(XTIM)}$ |
| 2 | Active: | $AR \geq 2 \times t_{c(XTIM)}$
$AW \geq 2 \times t_{c(XTIM)}$ |
| 3 | Lead + Active: | $LR + AR \geq 4 \times t_{c(XTIM)}$
$LW + AW \geq 4 \times t_{c(XTIM)}$ |

Note

Restrictions do not include external hardware wait states.

These requirements result in the following XTIMING register configuration restrictions :

XRDLEAD	XRDACTIVE	XRDTRAIL	XWRLEAD	XWRACTIVE	XWRTRAIL	X2TIMING
≥ 1	≥ 2	0	≥ 1	≥ 2	0	0, 1

or

XRDLEAD	XRDACTIVE	XRDTRAIL	XWRLEAD	XWRACTIVE	XWRTRAIL	X2TIMING
≥ 2	≥ 1	0	≥ 2	≥ 1	0	0, 1

Examples of valid and invalid timing when using asynchronous XREADY:

	XRDLEAD	XRDACTIVE	XRDTRAIL	XWRLEAD	XWRACTIVE	XWRTRAIL	X2TIMING
Invalid ⁽¹⁾	0	0	0	0	0	0	0, 1
Invalid ⁽¹⁾	1	0	0	1	0	0	0, 1
Invalid ⁽¹⁾	1	1	0	1	1	0	0
Valid	1	2	0	1	2	0	1
Valid	1	2	0	1	2	0	0, 1
Valid	2	1	0	2	1	0	0, 1

(1) No hardware to detect illegal XTIMING configurations

Unless otherwise specified, all XINTF timing is applicable for the clock configurations listed in [Table 7-3](#).

Table 7-3. XINTF Clock Configurations

MODE	SYSCLKOUT	XTIMCLK	XCLKOUT
1		SYSCLKOUT	SYSCLKOUT
Example:	150 MHz	150 MHz	150 MHz
2		SYSCLKOUT	1/2 SYSCLKOUT
Example:	150 MHz	150 MHz	75 MHz
3		1/2 SYSCLKOUT	1/2 SYSCLKOUT
Example:	150 MHz	75 MHz	75 MHz
4		1/2 SYSCLKOUT	1/4 SYSCLKOUT
Example:	150 MHz	75 MHz	37.5 MHz

The relationship between SYSCLKOUT and XTIMCLK is shown in [Figure 7-28](#).

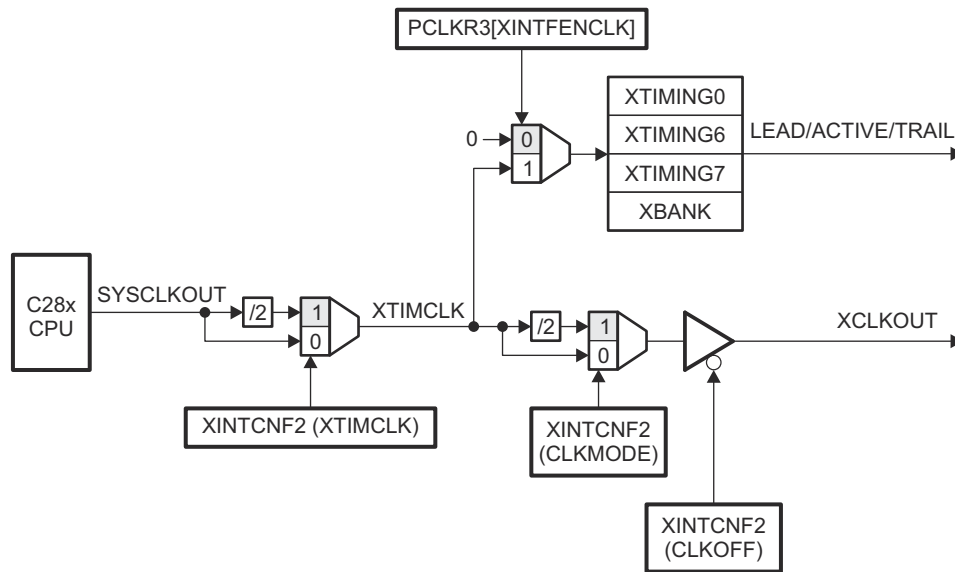


Figure 7-28. Relationship Between SYSCLKOUT and XTIMCLK

7.9.6.4 XINTF Signal Alignment to XCLKOUT

For each XINTF access, the number of lead, active, and trail cycles is based on the internal clock XTIMCLK. Strobes such as \overline{XRD} , $\overline{XWE0}$, $\overline{XWE1}$, and zone chip-select (\overline{XZCS}) change state in relationship to the rising edge of XTIMCLK. The external clock, XCLKOUT, can be configured to be either equal to or one-half the frequency of XTIMCLK.

For the case where XCLKOUT = XTIMCLK, all of the XINTF strobes will change state with respect to the rising edge of XCLKOUT. For the case where XCLKOUT = one-half XTIMCLK, some strobes will change state either on the rising edge of XCLKOUT or the falling edge of XCLKOUT. In the XINTF timing tables, the notation XCOHL is used to indicate that the parameter is with respect to either case; XCLKOUT rising edge (high) or XCLKOUT falling edge (low). If the parameter is always with respect to the rising edge of XCLKOUT, the notation XCOH is used.

For the case where XCLKOUT = one-half XTIMCLK, the XCLKOUT edge with which the change will be aligned can be determined based on the number of XTIMCLK cycles from the start of the access to the point at which the signal changes. If this number of XTIMCLK cycles is even, the alignment will be with respect to the rising edge of XCLKOUT. If this number is odd, then the signal will change with respect to the falling edge of XCLKOUT. Examples include the following:

- Strobes that change at the beginning of an access always align to the rising edge of XCLKOUT. This is because all XINTF accesses begin with respect to the rising edge of XCLKOUT.

Examples: XZCSL Zone chip-select active low
 XRNL XR/ \overline{W} active low

- Strobes that change at the beginning of the active period will align to the rising edge of XCLKOUT if the total number of lead XTIMCLK cycles for the access is even. If the number of lead XTIMCLK cycles is odd, then the alignment will be with respect to the falling edge of XCLKOUT.

Examples: XRD \overline{XRD} active low
 XWEL $\overline{XWE1}$ or $\overline{XWE0}$ active low

- Strobes that change at the beginning of the trail period will align to the rising edge of XCLKOUT if the total number of lead + active XTIMCLK cycles (including hardware waitstates) for the access is even. If the number of lead + active XTIMCLK cycles (including hardware waitstates) is odd, then the alignment will be with respect to the falling edge of XCLKOUT.

Examples: XRDH \overline{XRD} inactive high
 XWEH $\overline{XWE1}$ or $\overline{XWE0}$ inactive high

- Strobes that change at the end of the access will align to the rising edge of XCLKOUT if the total number of lead + active + trail XTIMCLK cycles (including hardware waitstates) is even. If the number of lead + active + trail XTIMCLK cycles (including hardware waitstates) is odd, then the alignment will be with respect to the falling edge of XCLKOUT.

Examples: XZCSH Zone chip-select inactive high
 XRNWH XR/ \overline{W} inactive high

7.9.6.5 External Interface Read Timing

7.9.6.5.1 External Interface Read Timing Requirements

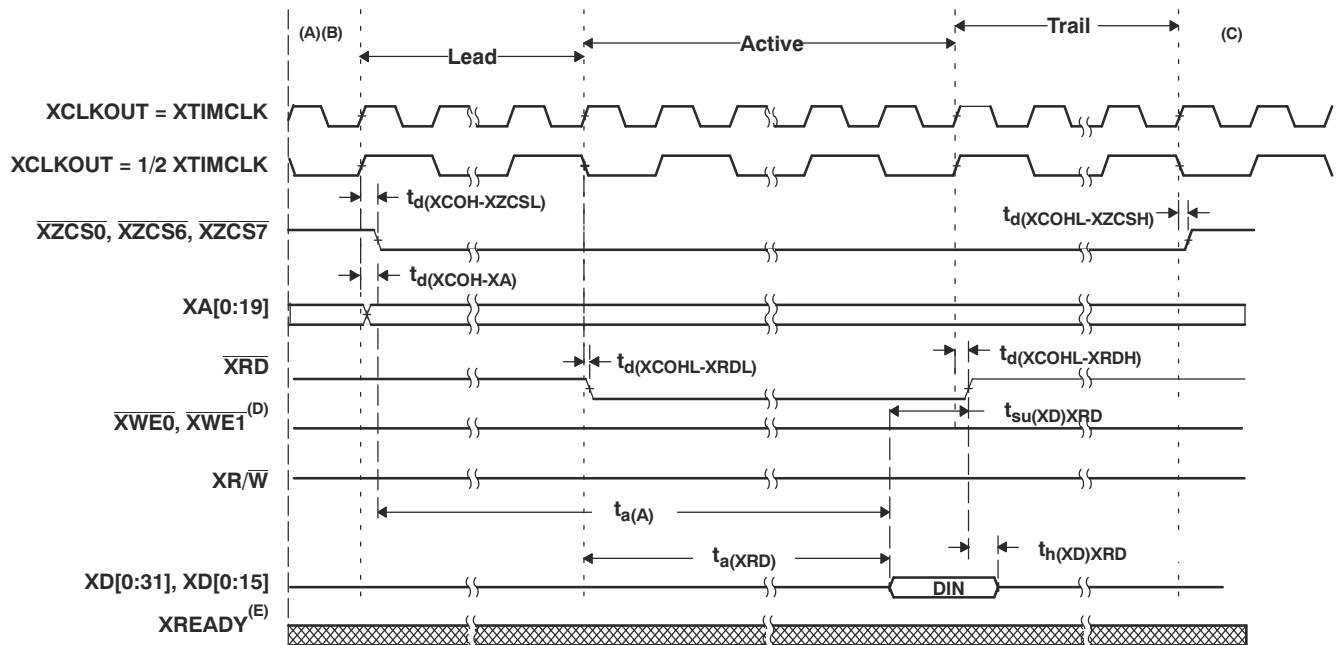
		MIN	MAX	UNIT
$t_{a(A)}$	Access time, read data from address valid		$(LR + AR) - 16$ ⁽¹⁾	ns
$t_{a(XRD)}$	Access time, read data valid from \overline{XRD} active low		$AR - 14$ ⁽¹⁾	ns
$t_{su(XD)XRD}$	Setup time, read data valid before \overline{XRD} strobe inactive high	14		ns
$t_h(XD)XRD$	Hold time, read data valid after \overline{XRD} inactive high	0		ns

(1) LR = Lead period, read access. AR = Active period, read access. See Table 7-2.

7.9.6.5.2 External Interface Read Switching Characteristics

PARAMETER		MIN	MAX	UNIT
$t_d(XCOH-XZCSL)$	Delay time, XCLKOUT high to zone chip-select active low		1	ns
$t_d(XCOHL-XZCSH)$	Delay time, XCLKOUT high/low to zone chip-select inactive high	-1	0.5	ns
$t_d(XCOH-XA)$	Delay time, XCLKOUT high to address valid		1.5	ns
$t_d(XCOHL-XRD)$	Delay time, XCLKOUT high/low to \overline{XRD} active low		0.5	ns
$t_d(XCOHL-XRDH)$	Delay time, XCLKOUT high/low to \overline{XRD} inactive high	-1.5	0.5	ns
$t_h(XA)XZCSH$	Hold time, address valid after zone chip-select inactive high	⁽¹⁾		ns
$t_h(XA)XRD$	Hold time, address valid after \overline{XRD} inactive high	⁽¹⁾		ns

(1) During inactive cycles, the XINTF address bus always holds the last address put out on the bus except XA0, which remains high. This includes alignment cycles.



- A. All XINTF accesses (lead period) begin on the rising edge of XCLKOUT. When necessary, the device inserts an alignment cycle before an access to meet this requirement.
- B. During alignment cycles, all signals transition to their inactive state.
- C. XA[0:19] holds the last address put on the bus during inactive cycles, including alignment cycles except XA0, which remains high.
- D. XWE1 is used in 32-bit data bus mode. In 16-bit mode, this signal is XA0.
- E. For USEREADY = 0, the external XREADY input signal is ignored.

Figure 7-29. Example Read Access

XTIMING register parameters used for this example :

XRDLEAD	XRDACTIVE	XRDTRAIL	USEREADY	X2TIMING	XWRLEAD	XWRACTIVE	XWRTRAIL	READYMODE
≥ 1	≥ 0	≥ 0	0	0	N/A ⁽¹⁾	N/A ⁽¹⁾	N/A ⁽¹⁾	N/A ⁽¹⁾

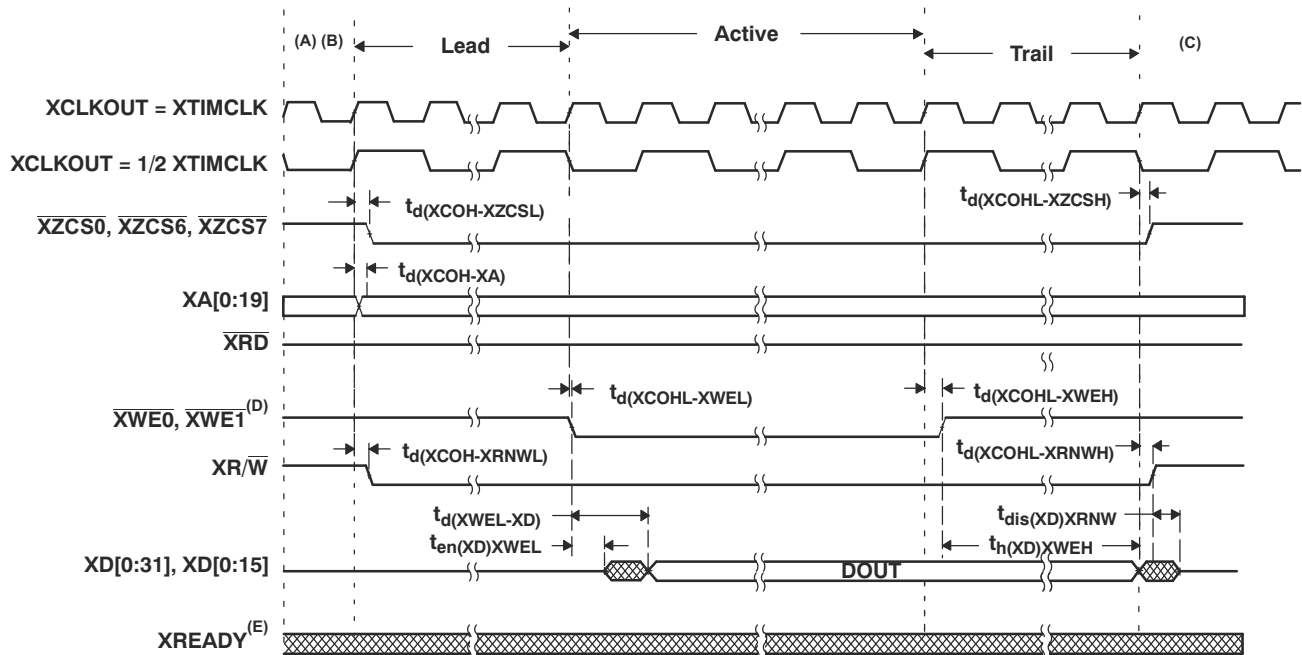
(1) N/A = Not applicable (or “Don’t care”) for this example

7.9.6.6 External Interface Write Timing

7.9.6.6.1 External Interface Write Switching Characteristics

PARAMETER		MIN	MAX	UNIT
$t_{d(XCOH-XZCSL)}$	Delay time, XCLKOUT high to zone chip-select active low		1	ns
$t_{d(XCOHL-XZCSH)}$	Delay time, XCLKOUT high or low to zone chip-select inactive high	-1	0.5	ns
$t_{d(XCOH-XA)}$	Delay time, XCLKOUT high to address valid		1.5	ns
$t_{d(XCOHL-XWEL)}$	Delay time, XCLKOUT high/low to $\overline{XWE0}$, $\overline{XWE1}$ ⁽³⁾ low		2	ns
$t_{d(XCOHL-XWEH)}$	Delay time, XCLKOUT high/low to $\overline{XWE0}$, $\overline{XWE1}$ high		2	ns
$t_{d(XCOH-XRNWL)}$	Delay time, XCLKOUT high to XR/ \overline{W} low		1	ns
$t_{d(XCOHL-XRNWH)}$	Delay time, XCLKOUT high/low to XR/ \overline{W} high	-1	0.5	ns
$t_{en(XD)XWEL}$	Enable time, data bus driven from $\overline{XWE0}$, $\overline{XWE1}$ low	0		ns
$t_{d(XWEL-XD)}$	Delay time, data valid after $\overline{XWE0}$, $\overline{XWE1}$ active low		1	ns
$t_{h(XA)XZCSH}$	Hold time, address valid after zone chip-select inactive high		⁽¹⁾	ns
$t_{h(XD)XWE}$	Hold time, write data valid after $\overline{XWE0}$, $\overline{XWE1}$ inactive high	TW - 2 ⁽²⁾		ns
$t_{dis(XD)XRNW}$	Maximum time for DSP to release the data bus after XR/ \overline{W} inactive high		4	ns

- (1) During inactive cycles, the XINTF address bus will always hold the last address put out on the bus except XA0, which remains high. This includes alignment cycles.
- (2) TW = Trail period, write access. See Table 7-2.
- (3) $\overline{XWE1}$ is used in 32-bit data bus mode only. In 16-bit mode, this signal is XA0.



- A. All XINTF accesses (lead period) begin on the rising edge of XCLKOUT. When necessary, the device inserts an alignment cycle before an access to meet this requirement.
- B. During alignment cycles, all signals transition to their inactive state.
- C. XA[0:19] holds the last address put on the bus during inactive cycles, including alignment cycles except XA0, which remains high.
- D. $\overline{XWE1}$ is used in 32-bit data bus mode. In 16-bit mode, this signal is XA0.
- E. For USEREADY = 0, the external XREADY input signal is ignored.

Figure 7-30. Example Write Access

XTIMING register parameters used for this example :

XRDLEAD	XRDACTIVE	XRDTRAIL	USEREADY	X2TIMING	XWRLEAD	XWRACTIVE	XWRTRAIL	READYMODE
N/A ⁽¹⁾	N/A ⁽¹⁾	N/A ⁽¹⁾	0	0	≥ 1	≥ 0	≥ 0	N/A ⁽¹⁾

(1) N/A = Not applicable (or “Don’t care”) for this example

7.9.6.7 External Interface Ready-on-Read Timing With One External Wait State

7.9.6.7.1 External Interface Read Switching Characteristics (Ready-on-Read, One Wait State)

PARAMETER		MIN	MAX	UNIT
$t_{d(XCOH-XZCSL)}$	Delay time, XCLKOUT high to zone chip-select active low		1	ns
$t_{d(XCOHL-XZCSH)}$	Delay time, XCLKOUT high/low to zone chip-select inactive high	-1	0.5	ns
$t_{d(XCOH-XA)}$	Delay time, XCLKOUT high to address valid		1.5	ns
$t_{d(XCOHL-XRD L)}$	Delay time, XCLKOUT high/low to \overline{XRD} active low		0.5	ns
$t_{d(XCOHL-XRD H)}$	Delay time, XCLKOUT high/low to \overline{XRD} inactive high	-1.5	0.5	ns
$t_{h(XA)XZCSH}$	Hold time, address valid after zone chip-select inactive high	(1)		ns
$t_{h(XA)XRD}$	Hold time, address valid after \overline{XRD} inactive high	(1)		ns

(1) During inactive cycles, the XINTF address bus always holds the last address put out on the bus, except XA0, which remains high. This includes alignment cycles.

7.9.6.7.2 External Interface Read Timing Requirements (Ready-on-Read, One Wait State)

		MIN	MAX	UNIT
$t_{a(A)}$	Access time, read data from address valid		(LR + AR) - 16 (1)	ns
$t_{a(XRD)}$	Access time, read data valid from \overline{XRD} active low		AR - 14 (1)	ns
$t_{su(XD)XRD}$	Setup time, read data valid before \overline{XRD} strobe inactive high	14		ns
$t_{h(XD)XRD}$	Hold time, read data valid after \overline{XRD} inactive high	0		ns

(1) LR = Lead period, read access. AR = Active period, read access. See Table 7-2.

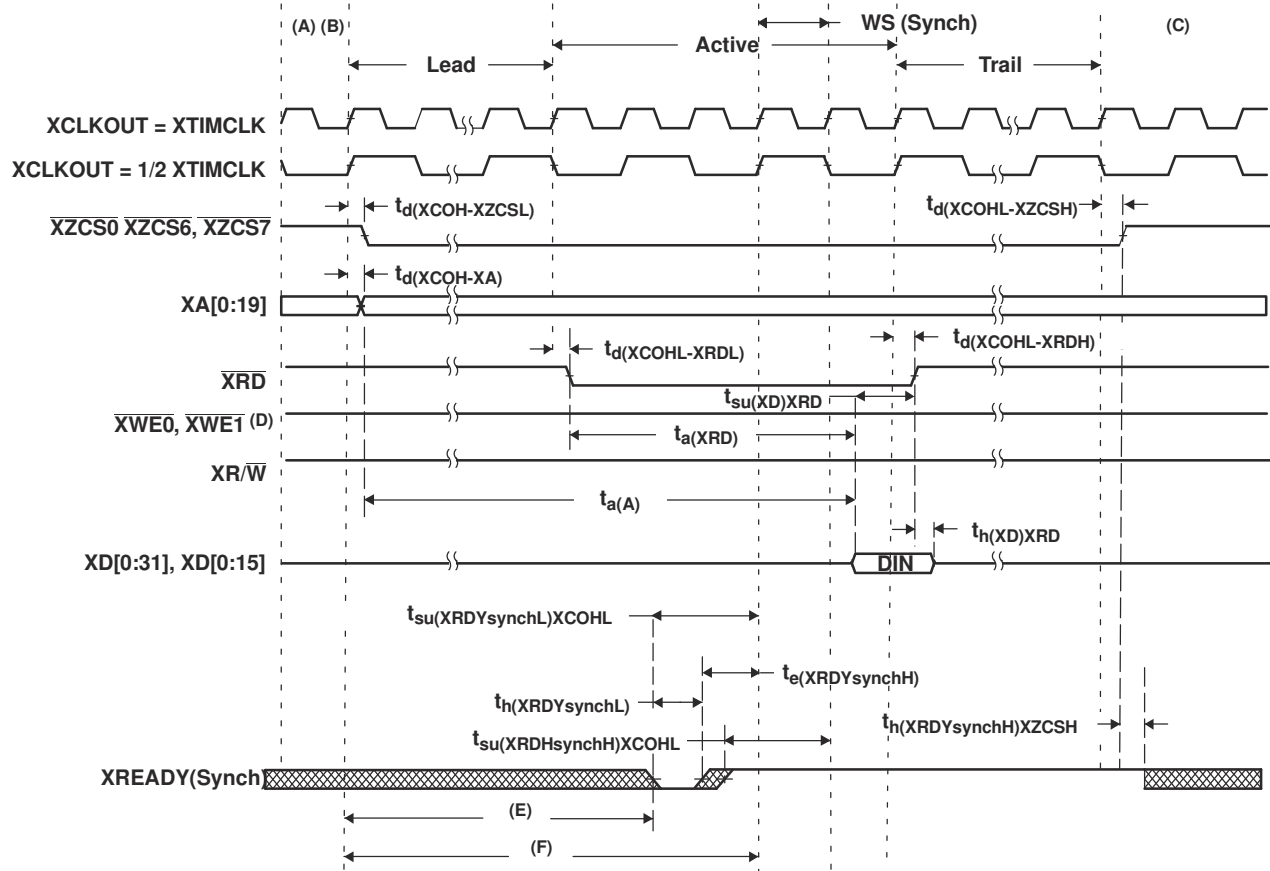
7.9.6.7.3 Synchronous XREADY Timing Requirements (Ready-on-Read, One Wait State) (1)

		MIN	MAX	UNIT
$t_{su(XRDYsynchL)XCOHL}$	Setup time, XREADY (synchronous) low before XCLKOUT high/low	12		ns
$t_{h(XRDYsynchL)}$	Hold time, XREADY (synchronous) low	6		ns
$t_{e(XRDYsynchH)}$	Earliest time XREADY (synchronous) can go high before the sampling XCLKOUT edge		3	ns
$t_{su(XRDYsynchH)XCOHL}$	Setup time, XREADY (synchronous) high before XCLKOUT high/low	12		ns
$t_{h(XRDYsynchH)XZCSH}$	Hold time, XREADY (synchronous) held high after zone chip select high	0		ns


(1) The first XREADY (synchronous) sample occurs with respect to E in Figure 7-31:
 $E = (XRDLEAD + XRDACTIVE) t_{c(XTIM)}$
 When first sampled, if XREADY (synchronous) is found to be high, then the access will finish. If XREADY (synchronous) is found to be low, it is sampled again each $t_{c(XTIM)}$ until it is found to be high.
 For each sample (n) the setup time (F) with respect to the beginning of the access can be calculated as:
 $F = (XRDLEAD + XRDACTIVE + n - 1) t_{c(XTIM)} - t_{su(XRDYsynchL)XCOHL}$
 where n is the sample number: n = 1, 2, 3, and so forth.

7.9.6.7.4 Asynchronous XREADY Timing Requirements (Ready-on-Read, One Wait State)

		MIN	MAX	UNIT
$t_{su(XRDYAsynchL)XCOHL}$	Setup time, XREADY (asynchronous) low before XCLKOUT high/low	11		ns
$t_{h(XRDYAsynchL)}$	Hold time, XREADY (asynchronous) low	6		ns
$t_{e(XRDYAsynchH)}$	Earliest time XREADY (asynchronous) can go high before the sampling XCLKOUT edge		3	ns
$t_{su(XRDYAsynchH)XCOHL}$	Setup time, XREADY (asynchronous) high before XCLKOUT high/low	11		ns
$t_{h(XRDYAsynchH)XZCSH}$	Hold time, XREADY (asynchronous) held high after zone chip select high	0		ns



Legend:

 = Don't care. Signal can be high or low during this time.

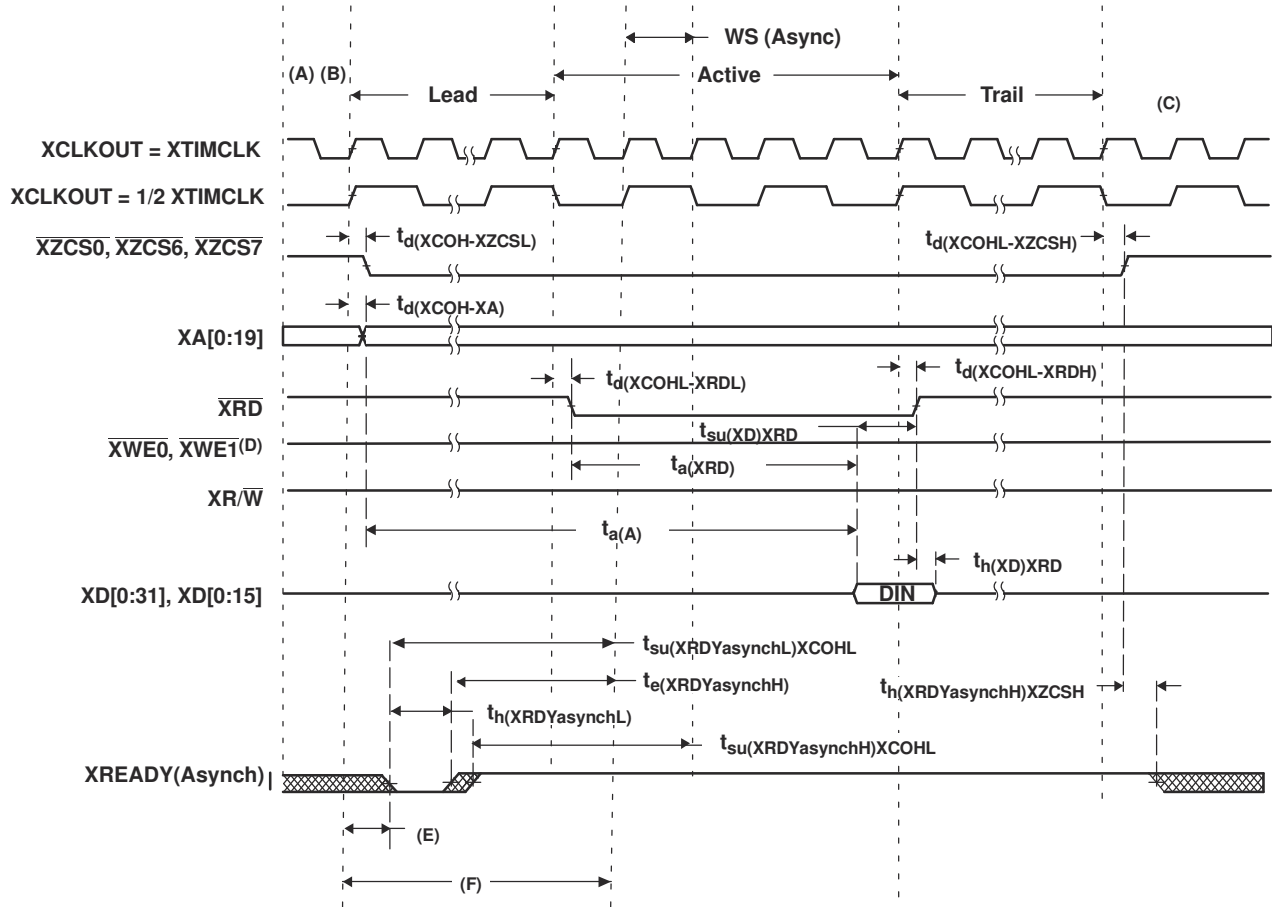
- A. All XINTF accesses (lead period) begin on the rising edge of XCLKOUT. When necessary, the device inserts an alignment cycle before an access to meet this requirement.
- B. During alignment cycles, all signals transition to their inactive state.
- C. During inactive cycles, the XINTF address bus always holds the last address put out on the bus except XA0, which remains high. This includes alignment cycles.
- D. XWE1 is valid only in 32-bit data bus mode. In 16-bit mode, this signal is XA0.
- E. For each sample, setup time from the beginning of the access (E) can be calculated as: $D = (XRDLEAD + XRDACTIVE + n - 1) t_{c(XTIM)} - t_{su(XRDYsynchL)XCOHL}$
- F. Reference for the first sample is with respect to this point: $F = (XRDLEAD + XRDACTIVE) t_{c(XTIM)}$ where n is the sample number: n = 1, 2, 3, and so forth.

Figure 7-31. Example Read With Synchronous XREADY Access


XTIMING register parameters used for this example :

XRDLEAD	XRDACTIVE	XRDTRAIL	USEREADY	X2TIMING	XWRLEAD	XWRACTIVE	XWRTRAIL	READYMODE
≥ 1	3	≥ 1	1	0	N/A ⁽¹⁾	N/A ⁽¹⁾	N/A ⁽¹⁾	0 = XREADY (Synch)

(1) N/A = "Don't care" for this example



Legend:

 = Don't care. Signal can be high or low during this time.

- A. All XINTF accesses (lead period) begin on the rising edge of XCLKOUT. When necessary, the device will insert an alignment cycle before an access to meet this requirement.
- B. During alignment cycles, all signals will transition to their inactive state.
- C. During inactive cycles, the XINTF address bus will always hold the last address put out on the bus except XA0, which remains high. This includes alignment cycles.
- D. $\overline{XWE1}$ is valid only in 32-bit data bus mode. In 16-bit mode, this signal is XA0.
- E. For each sample, setup time from the beginning of the access can be calculated as: $E = (XRDLEAD + XRDACTIVE - 3 + n) t_{c(XTIM)} - t_{su(XRDYasynchL)XCOHL}$ where n is the sample number: n = 1, 2, 3, and so forth.
- F. Reference for the first sample is with respect to this point: $F = (XRDLEAD + XRDACTIVE - 2) t_{c(XTIM)}$

Figure 7-32. Example Read With Asynchronous XREADY Access

XTIMING register parameters used for this example :

XRDLEAD	XRDACTIVE	XRDTRAIL	USEREADY	X2TIMING	XWRLEAD	XWRACTIVE	XWRTRAIL	READYMODE
≥ 1	3	≥ 1	1	0	N/A ⁽¹⁾	N/A ⁽¹⁾	N/A ⁽¹⁾	1 = XREADY (Async)

(1) N/A = "Don't care" for this example

7.9.6.8 External Interface Ready-on-Write Timing With One External Wait State

7.9.6.8.1 External Interface Write Switching Characteristics (Ready-on-Write, One Wait State)

PARAMETER		MIN	MAX	UNIT
$t_{d(XCOH-XZCSL)}$	Delay time, XCLKOUT high to zone chip-select active low		1	ns
$t_{d(XCOHL-XZCSH)}$	Delay time, XCLKOUT high or low to zone chip-select inactive high	- 1	0.5	ns
$t_{d(XCOH-XA)}$	Delay time, XCLKOUT high to address valid		1.5	ns
$t_{d(XCOHL-XWEL)}$	Delay time, XCLKOUT high/low to $\overline{XWE0}$, $\overline{XWE1}$ low ⁽³⁾		2	ns
$t_{d(XCOHL-XWEH)}$	Delay time, XCLKOUT high/low to $\overline{XWE0}$, $\overline{XWE1}$ high ⁽³⁾		2	ns
$t_{d(XCOH-XRNWL)}$	Delay time, XCLKOUT high to XR/ \overline{W} low		1	ns
$t_{d(XCOHL-XRNWH)}$	Delay time, XCLKOUT high/low to XR/ \overline{W} high	- 1	0.5	ns
$t_{en(XD)XWEL}$	Enable time, data bus driven from $\overline{XWE0}$, $\overline{XWE1}$ low ⁽³⁾	0		ns
$t_{d(XWEL-XD)}$	Delay time, data valid after $\overline{XWE0}$, $\overline{XWE1}$ active low ⁽³⁾		1	ns
$t_{h(XA)XZCSH}$	Hold time, address valid after zone chip-select inactive high	(1)		ns
$t_{h(XD)XWE}$	Hold time, write data valid after $\overline{XWE0}$, $\overline{XWE1}$ inactive high ⁽³⁾	TW - 2 ⁽²⁾		ns
$t_{dis(XD)XRNW}$	Maximum time for DSP to release the data bus after XR/ \overline{W} inactive high		4	ns

- (1) During inactive cycles, the XINTF address bus always holds the last address put out on the bus except XA0, which remains high. This includes alignment cycles.
- (2) TW = trail period, write access (see Table 7-2)
- (3) $\overline{XWE1}$ is used in 32-bit data bus mode only. In 16-bit, this signal is XA0.

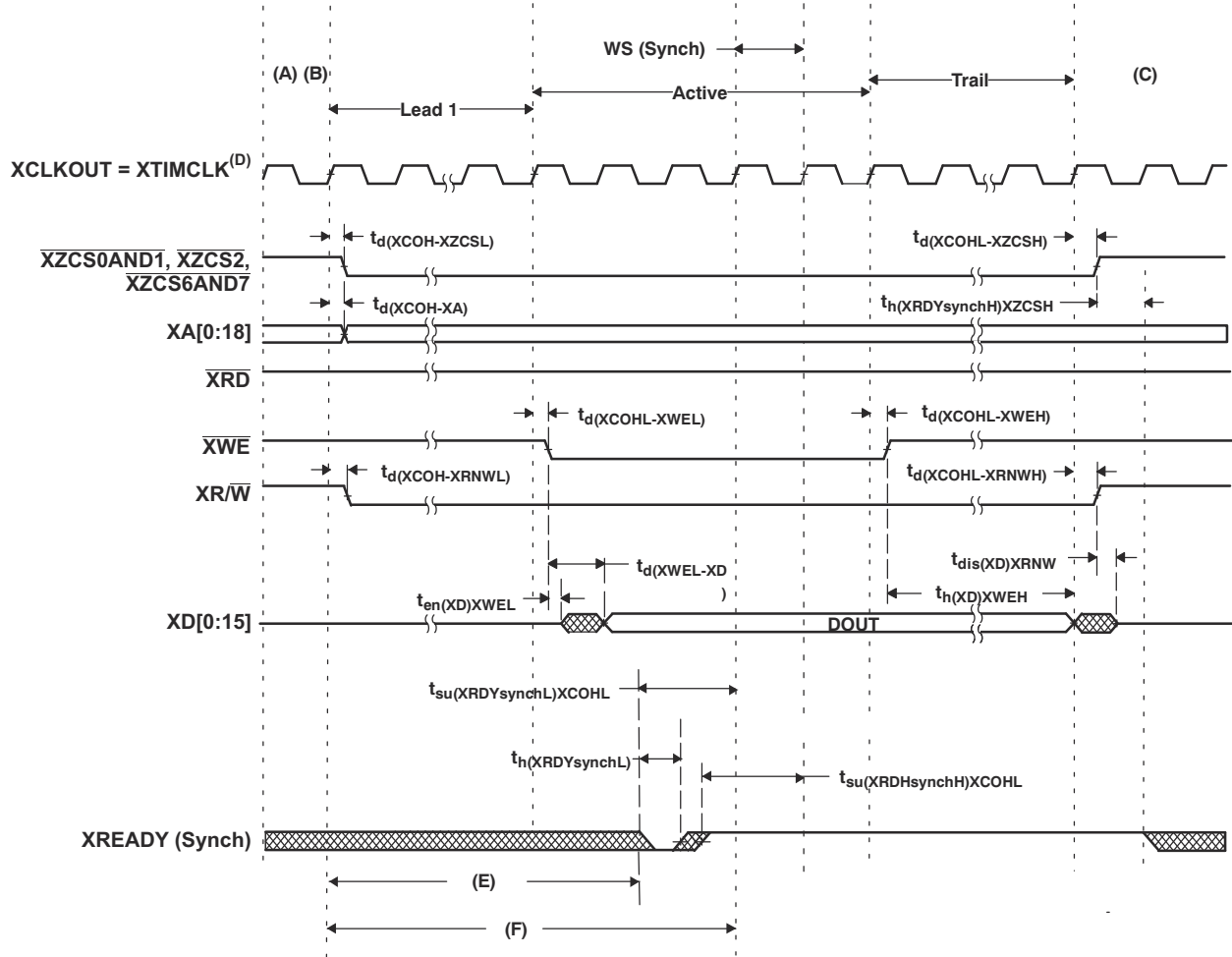
7.9.6.8.2 Synchronous XREADY Timing Requirements (Ready-on-Write, One Wait State) Table 8-27

		MIN	MAX	UNIT
$t_{su(XRDYsynchL)XCOHL}$	Setup time, XREADY (synchronous) low before XCLKOUT high/low	12		ns
$t_{h(XRDYsynchL)}$	Hold time, XREADY (synchronous) low	6		ns
$t_{e(XRDYsynchH)}$	Earliest time XREADY (synchronous) can go high before the sampling XCLKOUT edge		3	ns
$t_{su(XRDYsynchH)XCOHL}$	Setup time, XREADY (synchronous) high before XCLKOUT high/low	12		ns
$t_{h(XRDYsynchH)XZCSH}$	Hold time, XREADY (synchronous) held high after zone chip select high	0		ns


7.9.6.8.3 Asynchronous XREADY Timing Requirements (Ready-on-Write, One Wait State) ⁽¹⁾

		MIN	MAX	UNIT
$t_{su(XRDYasynchL)XCOHL}$	Setup time, XREADY (asynchronous) low before XCLKOUT high/low	11		ns
$t_{h(XRDYasynchL)}$	Hold time, XREADY (asynchronous) low	6		ns
$t_{e(XRDYasynchH)}$	Earliest time XREADY (asynchronous) can go high before the sampling XCLKOUT edge		3	ns
$t_{su(XRDYasynchH)XCOHL}$	Setup time, XREADY (asynchronous) high before XCLKOUT high/low	11		ns
$t_{h(XRDYasynchH)XZCSH}$	Hold time, XREADY (asynchronous) held high after zone chip select high	0		ns

- (1) The first XREADY (synchronous) sample occurs with respect to E in Figure 7-33:
 $E = (XWRLEAD + XWRACTIVE - 2) t_{c(XTIM)}$. When first sampled, if XREADY (asynchronous) is high, then the access will complete. If XREADY (asynchronous) is low, it is sampled again each $t_{c(XTIM)}$ until it is high.
For each sample, setup time from the beginning of the access can be calculated as:
 $F = (XWRLEAD + XWRACTIVE - 3 + n) t_{c(XTIM)} - t_{su(XRDYasynchL)XCOHL}$
where n is the sample number: n = 1, 2, 3, and so forth.



Legend:

 = Don't care. Signal can be high or low during this time.

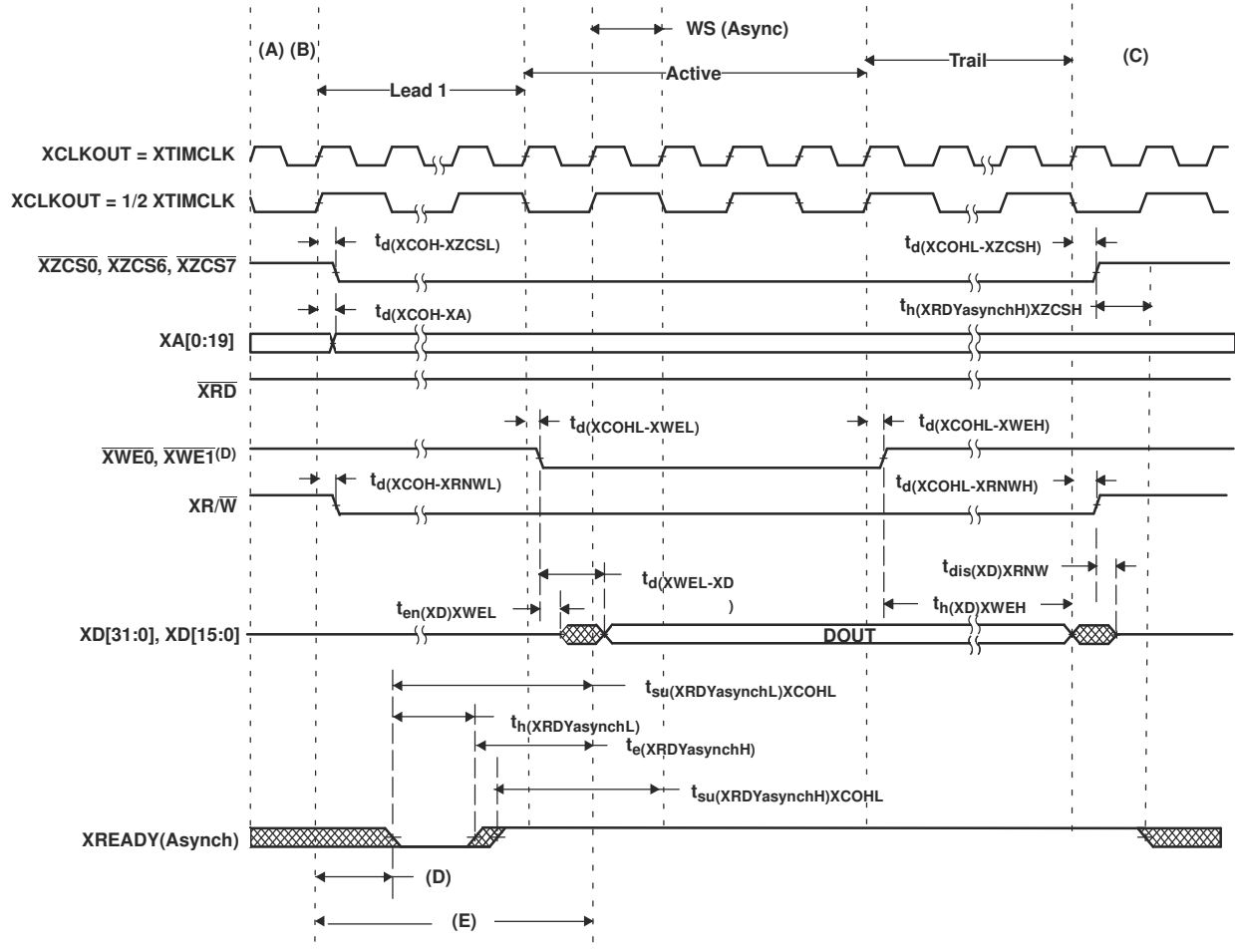
- A. All XINTF accesses (lead period) begin on the rising edge of XCLKOUT. When necessary, the device inserts an alignment cycle before an access to meet this requirement.
- B. During alignment cycles, all signals will transition to their inactive state.
- C. During inactive cycles, the XINTF address bus always holds the last address put out on the bus except XA0, which remains high. This includes alignment cycles.
- D. $\overline{XWE1}$ is used in 32-bit data bus mode only. In 16-bit, this signal is XA0.
- E. For each sample, setup time from the beginning of the access can be calculated as $E = (XWRLEAD + XWRACTIVE + n - 1) t_{c(XTIM)} - t_{su(XRDYsynchL)XCOHL}$ where n is the sample number: n = 1, 2, 3, and so forth.
- F. Reference for the first sample is with respect to this point: $F = (XWRLEAD + XWRACTIVE) t_{c(XTIM)}$


Figure 7-33. Write With Synchronous XREADY Access

XTIMING register parameters used for this example :

XRDLEAD	XRDACTIVE	XRDTRAIL	USEREADY	X2TIMING	XWRLEAD	XWRACTIVE	XWRTRAIL	READYMODE
N/A ⁽¹⁾	N/A ⁽¹⁾	N/A ⁽¹⁾	1	0	≥ 1	3	≥ 1	0 = XREADY (Synch)

(1) N/A = "Don't care" for this example.



Legend:
 = Don't care. Signal can be high or low during this time.

- A. All XINTF accesses (lead period) begin on the rising edge of XCLKOUT. When necessary, the device inserts an alignment cycle before an access to meet this requirement.
- B. During alignment cycles, all signals transition to their inactive state.
- C. During inactive cycles, the XINTF address bus always holds the last address put out on the bus except XA0, which remains high. This includes alignment cycles.
- D. XWE1 is used in 32-bit data bus mode only. In 16-bit, this signal is XA0.
- E. For each sample, set up time from the beginning of the access can be calculated as: $E = (XWRLEAD + XWRACTIVE - 3 + n) t_{c(XTIM)} - t_{su(XRDYasynchL)XCOHL}$ where n is the sample number: n = 1, 2, 3, and so forth.
- F. Reference for the first sample is with respect to this point: $F = (XWRLEAD + XWRACTIVE - 2) t_{c(XTIM)}$

Figure 7-34. Write With Asynchronous XREADY Access

XTIMING register parameters used for this example :

XRDLEAD	XRDACTIVE	XRDTRAIL	USEREADY	X2TIMING	XWRLEAD	XWRACTIVE	XWRTRAIL	READYMODE
N/A ⁽¹⁾	N/A ⁽¹⁾	N/A ⁽¹⁾	1	0	≥ 1	3	≥ 1	1 = XREADY (Async)

(1) N/A = "Don't care" for this example

7.9.6.9 \overline{XHOLD} and \overline{XHOLDA} Timing

If the HOLD mode bit is set while \overline{XHOLD} and \overline{XHOLDA} are both low (external bus accesses granted), the \overline{XHOLDA} signal is forced high (at the end of the current cycle) and the external interface is taken out of high-impedance mode.

On a reset (\overline{XRS}), the HOLD mode bit is set to 0. If the \overline{XHOLD} signal is active low on a system reset, the bus and all signal strobes must be in high-impedance mode, and the \overline{XHOLDA} signal is also driven active low.

When HOLD mode is enabled and \overline{XHOLDA} is active low (external bus grant active), the CPU can still execute code from internal memory. If an access is made to the external interface, the CPU is stalled until the \overline{XHOLD} signal is removed.

An external DMA request, when granted, places the following signals in a high-impedance mode:

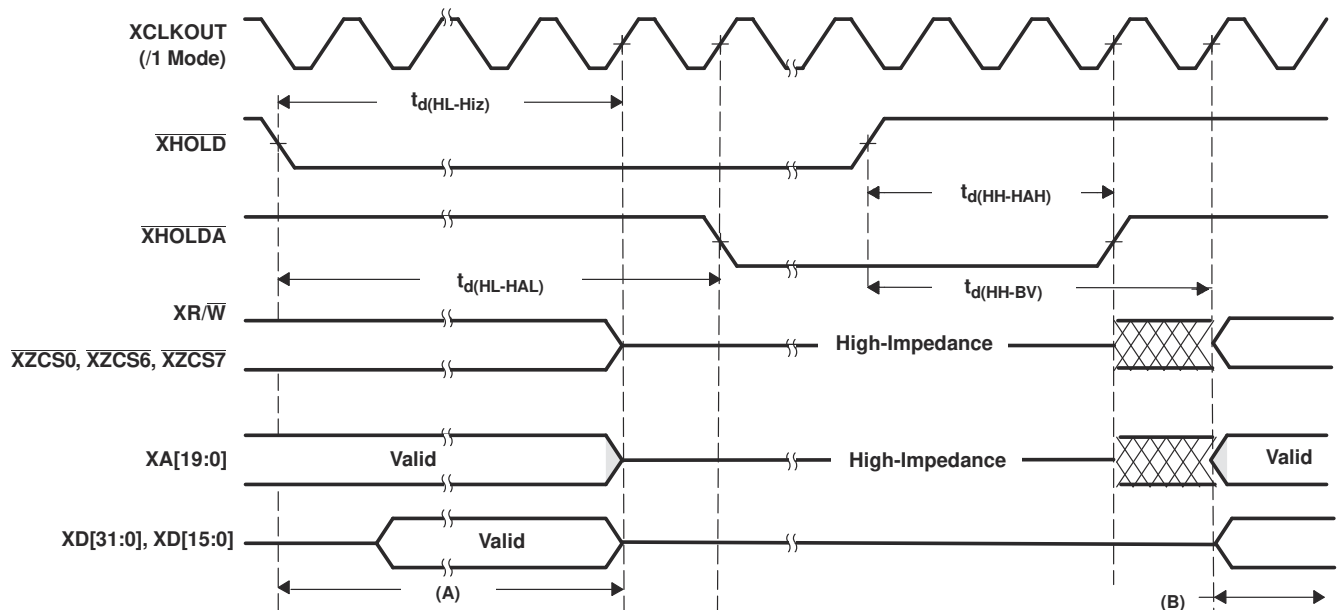
XA[19:0]	$\overline{XZCS0}$
XD[31:0], XD[15:0]	$\overline{XZCS6}$
$\overline{XWE0}$, $\overline{XWE1}$, \overline{XRD}	$\overline{XZCS7}$
XR/ \overline{W}	

All other signals not listed in this group remain in their default or functional operational modes during these signal events.

7.9.6.9.1 XHOLD/ XHOLDA Timing Requirements (XCLKOUT = XTIMCLK) (1) (2)

		MIN	MAX	UNIT
$t_{d(HL-HiZ)}$	Delay time, \overline{XHOLD} low to Hi-Z on all address, data, and control		$4t_{c(XTIM)} + 30$	ns
$t_{d(HL-HAL)}$	Delay time, \overline{XHOLD} low to \overline{XHOLDA} low		$5t_{c(XTIM)} + 30$	ns
$t_{d(HH-HAH)}$	Delay time, \overline{XHOLD} high to \overline{XHOLDA} high		$3t_{c(XTIM)} + 30$	ns
$t_{d(HH-BV)}$	Delay time, \overline{XHOLD} high to bus valid		$4t_{c(XTIM)} + 30$	ns
$t_{d(HL-HAL)}$	Delay time, \overline{XHOLD} low to \overline{XHOLDA} low		$4t_{c(XTIM)} + 2t_{c(XCO)} + 30$	ns

- (1) When a low signal is detected on \overline{XHOLD} , all pending XINTF accesses will be completed before the bus is placed in a high-impedance state.
- (2) The state of \overline{XHOLD} is latched on the rising edge of XTIMCLK.



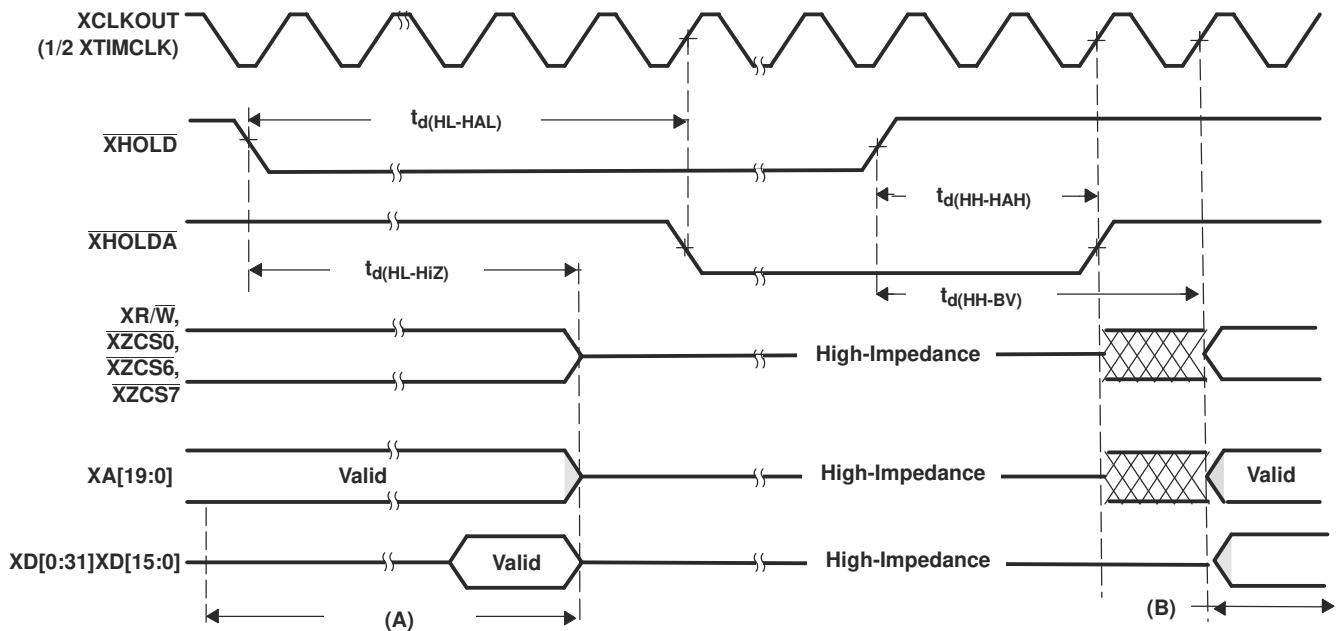
- A. All pending XINTF accesses are completed.
- B. Normal XINTF operation resumes.

Figure 7-35. External Interface Hold Waveform

7.9.6.9.2 XHOLD/ XHOLDA Timing Requirements (XCLKOUT = 1/2 XTIMCLK) (1) (2) (3)

		MIN	MAX	UNIT
$t_{d(HL-HiZ)}$	Delay time, \overline{XHOLD} low to Hi-Z on all address, data, and control		$4t_{c(XTIM)} + t_{c(XCO)} + 30$	ns
$t_{d(HL-HAL)}$	Delay time, \overline{XHOLD} low to \overline{XHOLDA} low		$4t_{c(XTIM)} + 2t_{c(XCO)} + 30$	ns
$t_{d(HH-HAH)}$	Delay time, \overline{XHOLD} high to \overline{XHOLDA} high		$4t_{c(XTIM)} + 30$	ns
$t_{d(HH-BV)}$	Delay time, \overline{XHOLD} high to bus valid		$6t_{c(XTIM)} + 30$	ns

- (1) When a low signal is detected on \overline{XHOLD} , all pending XINTF accesses will be completed before the bus is placed in a high-impedance state.
- (2) The state of \overline{XHOLD} is latched on the rising edge of XTIMCLK.
- (3) After the \overline{XHOLD} is detected low or high, all bus transitions and \overline{XHOLDA} transitions occur with respect to the rising edge of XCLKOUT. Thus, for this mode where XCLKOUT = 1/2 XTIMCLK, the transitions can occur up to 1 XTIMCLK cycle earlier than the maximum value specified.



- A. All pending XINTF accesses are completed.
- B. Normal XINTF operation resumes.

Figure 7-36. XHOLD/ XHOLDA Timing Requirements (XCLKOUT = 1/2 XTIMCLK)

7.9.7 Flash Timing

7.9.7.1 Flash Endurance for A and S Temperature Material ⁽¹⁾

		ERASE/PROGRAM TEMPERATURE	MIN	TYP	MAX	UNIT
N _f	Flash endurance for the array (write/erase cycles)	0°C to 85°C (ambient)	20000	50000		cycles
N _{OTP}	OTP endurance for the array (write cycles)	0°C to 85°C (ambient)			1	write

(1) Write/erase operations outside of the temperature ranges indicated are not specified and may affect the endurance numbers.

7.9.7.2 Flash Endurance for Q Temperature Material ⁽¹⁾

		ERASE/PROGRAM TEMPERATURE	MIN	TYP	MAX	UNIT
N _f	Flash endurance for the array (write/erase cycles)	-40°C to 125°C (ambient)	20000	50000		cycles
N _{OTP}	OTP endurance for the array (write cycles)	-40°C to 125°C (ambient)			1	write

(1) Write/erase operations outside of the temperature ranges indicated are not specified and may affect the endurance numbers.

7.9.7.3 Flash Parameters at 150-MHz SYSCLKOUT

PARAMETER		TEST CONDITIONS	MIN	TYP	MAX	UNIT
Program Time ⁽³⁾	16-Bit Word			50		μs
	32K Sector			1000	2000 ⁽²⁾	ms
	16K Sector			500	2000 ⁽²⁾	ms
Erase Time ⁽¹⁾	32K Sector	Q grade		2	12 ⁽²⁾	s
	16K Sector			2	12 ⁽²⁾	
Erase Time ⁽¹⁾	32K Sector	A, S grade		2	15 ⁽²⁾	s
	16K Sector			2	15 ⁽²⁾	
I _{DD3VFLP} ⁽⁴⁾	V _{DD3VFL} current consumption during the Erase/Program cycle	Erase		75		mA
		Program		35		mA
I _{DDP} ⁽⁴⁾	V _{DD} current consumption during Erase/Program cycle			180		mA
I _{DDIOP} ⁽⁴⁾	V _{DDIO} current consumption during Erase/Program cycle			20		mA

- (1) The on-chip flash memory is in an erased state when the device is shipped from TI. As such, erasing the flash memory is not required prior to programming, when programming the device for the first time. However, the erase operation is needed on all subsequent programming operations.
- (2) Maximum flash parameter mentioned are for the first 100 program and erase cycles.
- (3) Program time is at the maximum device frequency. The programming time indicated in this table is applicable only when all the required code/data is available in the device RAM, ready for programming. Program time includes overhead of the flash state machine but does not include the time to transfer the following into RAM:
 - the code that uses flash API to program the flash
 - the Flash API itself
 - Flash data to be programmed
- (4) Typical parameters as seen at room temperature including function call overhead, with all peripherals off. It is important to maintain a stable power supply during the entire flash programming process. It is conceivable that device current consumption during flash programming could be higher than normal operating conditions. The power supply used should ensure V_{MIN} on the supply rails at all times, as specified in the Recommended Operating Conditions of the data sheet. Any brown-out or interruption to power during erasing/programming could potentially corrupt the password locations and lock the device permanently. Powering a target board (during flash programming) through the USB port is not recommended, as the port may be unable to respond to the power demands placed during the programming process.

7.9.7.4 Flash/OTP Access Timing

PARAMETER		MIN	MAX	UNIT
t _{a(fp)}	Paged Flash access time	37		ns
t _{a(fr)}	Random Flash access time	37		ns

PARAMETER		MIN	MAX	UNIT
$t_{a(OTP)}$	OTP access time	60		ns

7.9.7.5 Flash Data Retention Duration

PARAMETER		TEST CONDITIONS	MIN	MAX	UNIT
$t_{retention}$	Data retention duration	$T_J = 55^\circ\text{C}$	15		years

Table 7-4. Minimum Required Flash/OTP Wait-States at Different Frequencies

SYSCLKOUT (MHz)	SYSCLKOUT (ns)	PAGE WAIT-STATE	RANDOM WAIT-STATE ⁽¹⁾	OTP WAIT-STATE
150	6.67	5	5	8
120	8.33	4	4	7
100	10	3	3	5
75	13.33	2	2	4
50	20	1	1	2
30	33.33	1	1	1
25	40	1	1	1
15	66.67	1	1	1
4	250	1	1	1

(1) Page and random wait-state must be ≥ 1 .

The equations to compute the Flash page wait-state and random wait-state in [Table 7-4](#) are as follows:

$$\text{Flash Page Wait State} = \left[\left(\frac{t_{a(f.p)}}{t_{c(SCO)}} \right) - 1 \right] \text{ round up to the next highest integer or 1, whichever is larger}$$

$$\text{Flash Random Wait State} = \left[\left(\frac{t_{a(f.r)}}{t_{c(SCO)}} \right) - 1 \right] \text{ round up to the next highest integer or 1, whichever is larger}$$

The equation to compute the OTP wait-state in [Table 7-4](#) is as follows:

$$\text{OTP Wait State} = \left[\left(\frac{t_{a(OTP)}}{t_{c(SCO)}} \right) - 1 \right] \text{ round up to the next highest integer or 1, whichever is larger}$$

7.10 On-Chip Analog-to-Digital Converter

7.10.1 ADC Electrical Characteristics (over recommended operating conditions) ^{(1) (2)}

PARAMETER		MIN	TYP	MAX	UNIT
DC SPECIFICATIONS ⁽³⁾					
Resolution		12			Bits
ADC clock		0.001		25	MHz
ACCURACY					
INL (Integral nonlinearity)	1-12.5 MHz ADC clock (6.25 MSPS)			±1.5	LSB
	12.5-25 MHz ADC clock (12.5 MSPS)			±2	LSB
DNL (Differential nonlinearity) ⁽⁴⁾				±1	LSB
Offset error ^{(5) (3)}		-15		15	LSB
Overall gain error with internal reference ^{(6) (3)}		-30		30	LSB
Overall gain error with external reference ⁽³⁾		-30		30	LSB
Channel-to-channel offset variation			±4		LSB
Channel-to-channel gain variation			±4		LSB
ANALOG INPUT					
Analog input voltage (ADCINx to ADCLO) ⁽⁷⁾		0		3	V
ADCLO		-5	0	5	mV
Input capacitance			10		pF
Input leakage current				±5	µA
INTERNAL VOLTAGE REFERENCE ⁽⁶⁾					
V _{ADCREFP} - ADCREFP output voltage at the pin based on internal reference			1.275		V
V _{ADCREFM} - ADCREFM output voltage at the pin based on internal reference			0.525		V
Voltage difference, ADCREFP - ADCREFM			0.75		V
Temperature coefficient			50		PPM/°C
EXTERNAL VOLTAGE REFERENCE ^{(6) (8)}					
V _{ADCREFIN} - External reference voltage input on ADCREFIN pin 0.2% or better accurate reference recommended	ADCREFSEL[15:14] = 11b		1.024		V
	ADCREFSEL[15:14] = 10b		1.500		V
	ADCREFSEL[15:14] = 01b		2.048		V
AC SPECIFICATIONS					
SINAD (100 kHz) Signal-to-noise ratio + distortion			67.5		dB
SNR (100 kHz) Signal-to-noise ratio			68		dB
THD (100 kHz) Total harmonic distortion			-79		dB
ENOB (100 kHz) Effective number of bits			10.9		Bits
SFDR (100 kHz) Spurious free dynamic range			83		dB

- (1) Tested at 25 MHz ADCCLK.
- (2) All voltages listed in this table are with respect to V_{SSA2}.
- (3) ADC parameters for gain error and offset error are only specified if the ADC calibration routine is executed from the Boot ROM. See [Section 8.2.7.3](#) for more information.
- (4) TI specifies that the ADC will have no missing codes.
- (5) 1 LSB has the weighted value of 3.0/4096 = 0.732 mV.
- (6) A single internal/external band gap reference sources both ADCREFP and ADCREFM signals, and hence, these voltages track together. The ADC converter uses the difference between these two as its reference. The total gain error listed for the internal reference is inclusive of the movement of the internal bandgap over temperature. Gain error over temperature for the external reference option will depend on the temperature profile of the source used.
- (7) Voltages above V_{DDA} + 0.3 V or below V_{SS} - 0.3 V applied to an analog input pin may temporarily affect the conversion of another pin. To avoid this, the analog inputs should be kept within these limits.

- (8) TI recommends using high precision external reference TI part REF3020/3120 or equivalent for 2.048-V reference.

7.10.2 ADC Power-Up Control Bit Timing

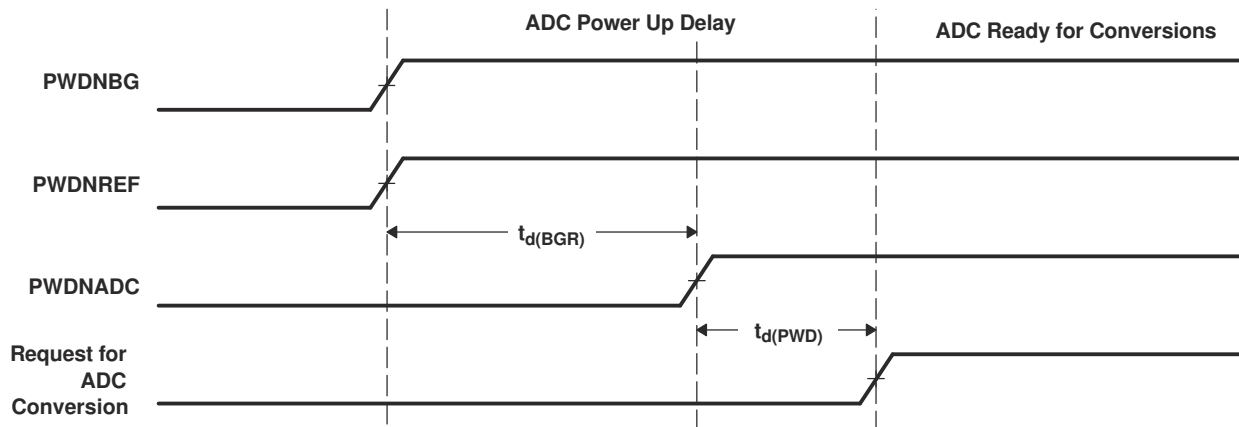


Figure 7-37. ADC Power-Up Control Bit Timing

7.10.2.1 ADC Power-Up Delays

PARAMETER ⁽¹⁾		MIN	TYP	MAX	UNIT
$t_{d(BGR)}$	Delay time for band gap reference to be stable. Bits 7 and 6 of the ADCTRL3 register (ADCBGRFDN1/0) must be set to 1 before the PWDNADC bit is enabled.			5	ms
$t_{d(PWD)}$	Delay time for power-down control to be stable. Bit delay time for band-gap reference to be stable. Bits 7 and 6 of the ADCTRL3 register (ADCBGRFDN1/0) must be set to 1 before the PWDNADC bit is enabled. Bit 5 of the ADCTRL3 register (PWDNADC) must be set to 1 before any ADC conversions are initiated.	20	50		μ s
				1	ms

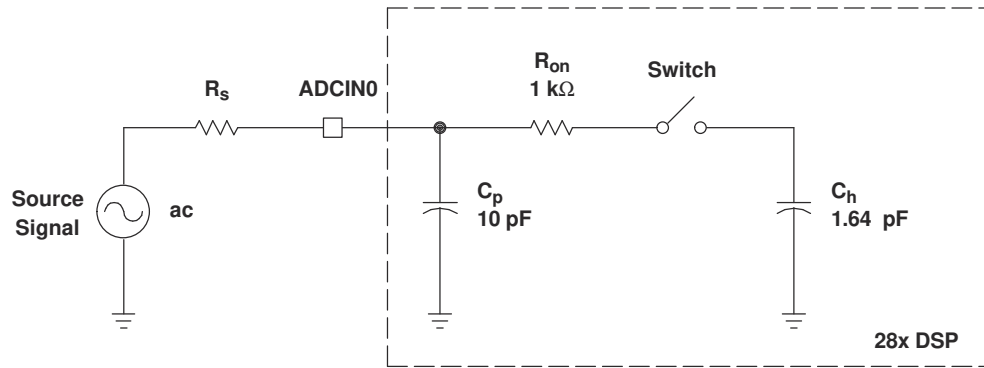
(1) Timings maintain compatibility to the 281x ADC module. The 2833x/2823x ADC also supports driving all 3 bits at the same time and waiting $t_{d(BGR)}$ ms before first conversion.

7.10.2.2 Typical Current Consumption for Different ADC Configurations (at 25-MHz ADCCLK) ⁽¹⁾ ⁽²⁾

ADC OPERATING MODE	CONDITIONS	V_{DDA18}	$V_{DDA3.3}$	UNIT
Mode A (Operational Mode):	<ul style="list-style-type: none"> BG and REF enabled PWD disabled 	30	2	mA
Mode B:	<ul style="list-style-type: none"> ADC clock enabled BG and REF enabled PWD enabled 	9	0.5	mA
Mode C:	<ul style="list-style-type: none"> ADC clock enabled BG and REF disabled PWD enabled 	5	20	μ A
Mode D:	<ul style="list-style-type: none"> ADC clock disabled BG and REF disabled PWD enabled 	5	15	μ A

(1) Test Conditions:
SYSCLKOUT = 150 MHz
ADC module clock = 25 MHz
ADC performing a continuous conversion of all 16 channels in Mode A

(2) V_{DDA18} includes current into V_{DD1A18} and V_{DD2A18} . $V_{DDA3.3}$ includes current into V_{DDA2} and V_{DDA10} .



Typical Values of the Input Circuit Components:

Switch Resistance (R_{on}):	1 k Ω
Sampling Capacitor (C_h):	1.64 pF
Parasitic Capacitance (C_p):	10 pF
Source Resistance (R_s):	50 Ω

Figure 7-38. ADC Analog Input Impedance Model

7.10.3 Definitions

Reference Voltage

The on-chip ADC has a built-in reference, which provides the reference voltages for the ADC.

Analog Inputs

The on-chip ADC consists of 16 analog inputs, which are sampled either one at a time or two channels at a time. These inputs are software-selectable.

Converter

The on-chip ADC uses a 12-bit four-stage pipeline architecture, which achieves a high sample rate with low power consumption.

Conversion Modes

The conversion can be performed in two different conversion modes:

- Sequential sampling mode (SMODE = 0)
- Simultaneous sampling mode (SMODE = 1)

7.10.4 Sequential Sampling Mode (Single-Channel) (SMODE = 0)

In sequential sampling mode, the ADC can continuously convert input signals on any of the channels (Ax to Bx). The ADC can start conversions on event triggers from the ePWM, software trigger, or from an external ADCSOC signal. If the SMODE bit is 0, the ADC will do conversions on the selected channel on every Sample/Hold pulse. The conversion time and latency of the Result register update are explained below. The ADC interrupt flags are set a few SYSCLKOUT cycles after the Result register update. The selected channels will be sampled at every falling edge of the Sample/Hold pulse. The Sample/Hold pulse width can be programmed to be 1 ADC clock wide (minimum) or 16 ADC clocks wide (maximum).

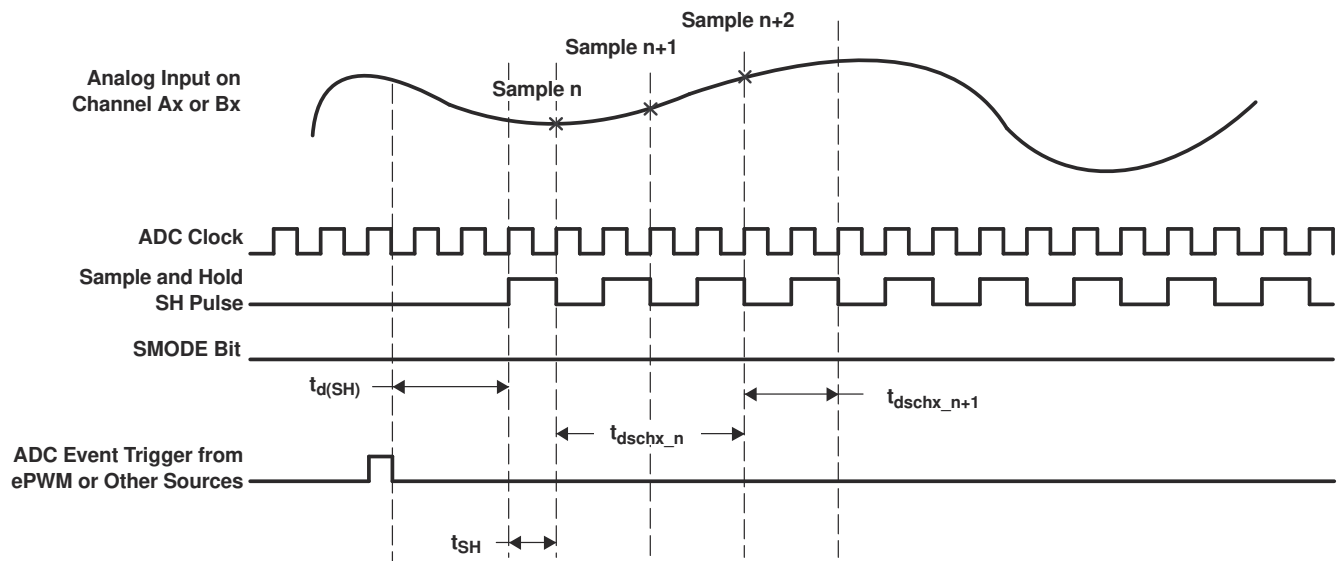


Figure 7-39. Sequential Sampling Mode (Single-Channel) Timing

7.10.4.1 Sequential Sampling Mode Timing

		SAMPLE n	SAMPLE n + 1	AT 25-MHz ADC CLOCK, $t_{c(ADCCCLK)} = 40 \text{ ns}$	REMARKS
$t_{d(SH)}$	Delay time from event trigger to sampling	$2.5t_{c(ADCCCLK)}$			
t_{SH}	Sample/Hold width/Acquisition Width	$(1 + \text{Acqps}) * t_{c(ADCCCLK)}$		40 ns with Acqps = 0	Acqps value = 0-15 ADCTRL1[8:11]
$t_{d(schx_n)}$	Delay time for first result to appear in Result register	$4t_{c(ADCCCLK)}$		160 ns	
$t_{d(schx_{n+1})}$	Delay time for successive results to appear in Result register		$(2 + \text{Acqps}) * t_{c(ADCCCLK)}$	80 ns	

7.10.5 Simultaneous Sampling Mode (Dual-Channel) (SMODE = 1)

In simultaneous mode, the ADC can continuously convert input signals on any one pair of channels (A0/B0 to A7/B7). The ADC can start conversions on event triggers from the ePWM, software trigger, or from an external ADCSOC signal. If the SMODE bit is 1, the ADC will do conversions on two selected channels on every Sample/Hold pulse. The conversion time and latency of the result register update are explained below. The ADC interrupt flags are set a few SYSCLKOUT cycles after the Result register update. The selected channels will be sampled simultaneously at the falling edge of the Sample/Hold pulse. The Sample/Hold pulse width can be programmed to be 1 ADC clock wide (minimum) or 16 ADC clocks wide (maximum).

Note

In simultaneous mode, the ADCIN channel pair select must be A0/B0, A1/B1, ..., A7/B7, and not in other combinations (such as A1/B3, and so on).

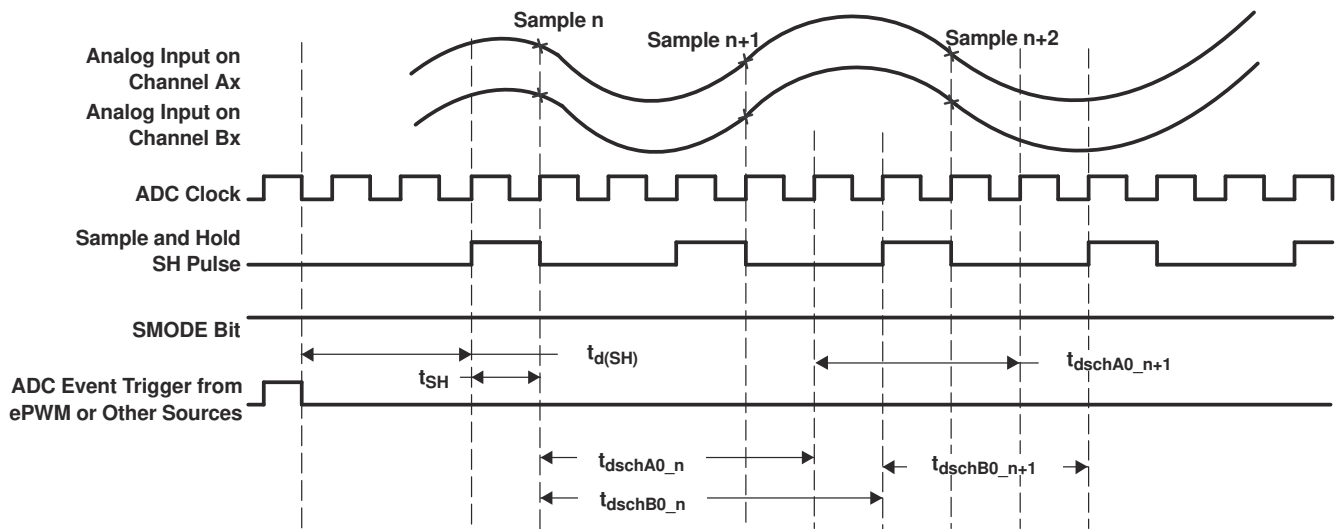


Figure 7-40. Simultaneous Sampling Mode Timing

7.10.5.1 Simultaneous Sampling Mode Timing

		SAMPLE n	SAMPLE n + 1	AT 25-MHz ADC CLOCK, $t_{c(ADCCLK)} = 40 \text{ ns}$	REMARKS
$t_{d(SH)}$	Delay time from event trigger to sampling	$2.5t_{c(ADCCLK)}$			
t_{SH}	Sample/Hold width/Acquisition Width	$(1 + \text{Acqps}) * t_{c(ADCCLK)}$		40 ns with Acqps = 0	Acqps value = 0-15 ADCTRL1[8:11]
$t_{d(schA0_n)}$	Delay time for first result to appear in Result register	$4t_{c(ADCCLK)}$		160 ns	
$t_{d(schB0_n)}$	Delay time for first result to appear in Result register	$5t_{c(ADCCLK)}$		200 ns	
$t_{d(schA0_{n+1})}$	Delay time for successive results to appear in Result register		$(3 + \text{Acqps}) * t_{c(ADCCLK)}$	120 ns	
$t_{d(schB0_{n+1})}$	Delay time for successive results to appear in Result register		$(3 + \text{Acqps}) * t_{c(ADCCLK)}$	120 ns	

7.10.6 Detailed Descriptions

Integral Nonlinearity

Integral nonlinearity refers to the deviation of each individual code from a line drawn from zero through full scale. The point used as zero occurs one-half LSB before the first code transition. The full-scale point is defined as level one-half LSB beyond the last code transition. The deviation is measured from the center of each particular code to the true straight line between these two points.

Differential Nonlinearity

An ideal ADC exhibits code transitions that are exactly 1 LSB apart. DNL is the deviation from this ideal value. A differential nonlinearity error of less than ± 1 LSB ensures no missing codes.

Zero Offset

The major carry transition should occur when the analog input is at zero volts. Zero error is defined as the deviation of the actual transition from that point.

Gain Error

The first code transition should occur at an analog value one-half LSB above negative full scale. The last transition should occur at an analog value one and one-half LSB below the nominal full scale. Gain error is the deviation of the actual difference between first and last code transitions and the ideal difference between first and last code transitions.

Signal-to-Noise Ratio + Distortion (SINAD)

SINAD is the ratio of the rms value of the measured input signal to the rms sum of all other spectral components below the Nyquist frequency, including harmonics but excluding dc. The value for SINAD is expressed in decibels.

Effective Number of Bits (ENOB)

For a sine wave, SINAD can be expressed in terms of the number of bits. Using the following formula, $N = \frac{(\text{SINAD} - 1.76)}{6.02}$ it is possible to get a measure of performance expressed as N, the effective number of bits. Thus, effective number of bits for a device for sine wave inputs at a given input frequency can be calculated directly from its measured SINAD.

Total Harmonic Distortion (THD)

THD is the ratio of the rms sum of the first nine harmonic components to the rms value of the measured input signal and is expressed as a percentage or in decibels.

Spurious Free Dynamic Range (SFDR)

SFDR is the difference in dB between the rms amplitude of the input signal and the peak spurious signal.

7.11 Migrating Between F2833x Devices and F2823x Devices

The principal difference between these two devices is the absence of the floating-point unit (FPU) in the F2823x devices. This section describes how to build an application for each:

- For F2833x devices:
 - Code Composer Studio 3.3 with Service Release 9 or later is required for debug support of C28x + floating-point devices.
 - Use `-v28 --float_support = fpu32` compiler options. The `--float_support` option is available in compiler v5.0.2 or later. In Code Composer Studio, the `--float_support` option is located on the advanced tab of the compiler options (Project → Build_Options → Compiler → Advanced tab).
 - Include the compiler's run-time support library for native 32-bit floating-point. For example, use `rts2800_fpu32.lib` for C code or `rts2800_fpu32_eh.lib` for C++ code.
 - Consider using the [C28x FPU Fast RTS Library](#) for high-performance floating-point math functions such as `sin`, `cos`, `div`, `sqrt`, and `atan`. The Fast RTS library should be linked in before the normal run-time support library.
- For F2823x devices:
 - Either leave off the `--float_support` switch or use `-v28 --float_support=none`
 - Include the appropriate run-time support library for fixed point code. For example, use `rts2800_ml.lib` for C code or `rts2800_ml_eh.lib` for C++ code.
 - Consider using the [C28x IQmath library - A Virtual Floating Point Engine](#) to achieve a performance boost from math functions such as `sin`, `cos`, `div`, `sqrt`, and `atan`.

Code built in this manner will also run on F2833x devices, but it will not make use of the on-chip floating-point unit.

In either case, to allow for quick portability between native floating-point and fixed-point devices, TI suggests writing your code using the IQmath macro language described in C28x IQMath Library.

8 Detailed Description

8.1 Brief Descriptions

8.1.1 C28x CPU

The F2833x (C28x+FPU)/F2823x (C28x) family is a member of the TMS320C2000™ digital signal controller (DSC) platform. The C28x+FPU based controllers have the same 32-bit fixed-point architecture as TI's existing C28x DSCs, but also include a single-precision (32-bit) IEEE 754 floating-point unit (FPU). It is a very efficient C/C++ engine, enabling users to develop their system control software in a high-level language. It also enables math algorithms to be developed using C/C++. The device is as efficient at DSP math tasks as it is at system control tasks that typically are handled by microcontroller devices. This efficiency removes the need for a second processor in many systems. The 32 × 32-bit MAC 64-bit processing capabilities enable the controller to handle higher numerical resolution problems efficiently. Add to this the fast interrupt response with automatic context save of critical registers, resulting in a device that is capable of servicing many asynchronous events with minimal latency. The device has an 8-level-deep protected pipeline with pipelined memory accesses. This pipelining enables it to execute at high speeds without resorting to expensive high-speed memories. Special branch-look-ahead hardware minimizes the latency for conditional discontinuities. Special store conditional operations further improve performance.

The F2823x family is also a member of the TMS320C2000™ digital signal controller (DSC) platform but it does not include a floating-point unit (FPU).

8.1.2 Memory Bus (Harvard Bus Architecture)

As with many DSC type devices, multiple buses are used to move data between the memories and peripherals and the CPU. The C28x memory bus architecture contains a program read bus, data read bus and data write bus. The program read bus consists of 22 address lines and 32 data lines. The data read and write buses consist of 32 address lines and 32 data lines each. The 32-bit-wide data buses enable single cycle 32-bit operations. The multiple bus architecture, commonly termed Harvard Bus, enables the C28x to fetch an instruction, read a data value and write a data value in a single cycle. All peripherals and memories attached to the memory bus will prioritize memory accesses. Generally, the priority of memory bus accesses can be summarized as follows:

— Highest:	Data Writes	(Simultaneous data and program writes cannot occur on the memory bus.)
—	Program Writes	(Simultaneous data and program writes cannot occur on the memory bus.)
—	Data Reads	
—	Program Reads	(Simultaneous program reads and fetches cannot occur on the memory bus.)
— Lowest:	Fetches	(Simultaneous program reads and fetches cannot occur on the memory bus.)

8.1.3 Peripheral Bus

To enable migration of peripherals between various TI DSC family of devices, the 2833x/2823x devices adopt a peripheral bus standard for peripheral interconnect. The peripheral bus bridge multiplexes the various buses that make up the processor Memory Bus into a single bus consisting of 16 address lines and 16 or 32 data lines and associated control signals. Three versions of the peripheral bus are supported. One version supports only 16-bit accesses (called peripheral frame 2). Another version supports both 16- and 32-bit accesses (called peripheral frame 1). The third version supports DMA access and both 16- and 32-bit accesses (called peripheral frame 3).

8.1.4 Real-Time JTAG and Analysis

The 2833x/2823x devices implement the standard IEEE 1149.1 JTAG interface. Additionally, the devices support real-time mode of operation whereby the contents of memory, peripheral and register locations can be modified while the processor is running and executing code and servicing interrupts. The user can also single step through nontime-critical code while enabling time-critical interrupts to be serviced without interference. The device implements the real-time mode in hardware within the CPU. This is a feature unique to the 2833x/2823x device, requiring no software monitor. Additionally, special analysis hardware is provided that allows setting of hardware breakpoint or data/address watch-points and generate various user-selectable break events when a match occurs.

8.1.5 External Interface (XINTF)

This asynchronous interface consists of 20 address lines, 32 data lines, and three chip-select lines. The chip-select lines are mapped to three external zones, Zones 0, 6, and 7. Each of the three zones can be programmed with a different number of wait states, strobe signal setup and hold timing and each zone can be programmed for extending wait states externally or not. The programmable wait state, chip-select and programmable strobe timing enables glueless interface to external memories and peripherals.

8.1.6 Flash

The F28335/F28333/F28235 devices contain 256K × 16 of embedded flash memory, segregated into eight 32K × 16 sectors. The F28334/F28234 devices contain 128K × 16 of embedded flash memory, segregated into eight 16K × 16 sectors. The F28332/F28232 devices contain 64K × 16 of embedded flash, segregated into four 16K × 16 sectors. All the devices also contain a single 1K × 16 of OTP memory at address range 0x380400–0x3807FF. The user can individually erase, program, and validate a flash sector while leaving other sectors untouched. However, it is not possible to use one sector of the flash or the OTP to execute flash algorithms that erase/program other sectors. Special memory pipelining is provided to enable the flash module to achieve higher performance. The flash/OTP is mapped to both program and data space; therefore, it can be used to execute code or store data information. Note that addresses 0x33FFF0–0x33FFF5 are reserved for data variables and should not contain program code.

Note

The Flash and OTP wait-states can be configured by the application. This allows applications running at slower frequencies to configure the flash to use fewer wait-states.

Flash effective performance can be improved by enabling the flash pipeline mode in the Flash options register. With this mode enabled, effective performance of linear code execution will be much faster than the raw performance indicated by the wait-state configuration alone. The exact performance gain when using the Flash pipeline mode is application-dependent.

For more information on the Flash options, Flash wait-state, and OTP wait-state registers, see the [TMS320x2833x, 2823x system control and interrupts reference guide](#).

8.1.7 M0, M1 SARAMs

All 2833x/2823x devices contain these two blocks of single access memory, each 1K × 16 in size. The stack pointer points to the beginning of block M1 on reset. The M0 and M1 blocks, like all other memory blocks on C28x devices, are mapped to both program and data space. Hence, the user can use M0 and M1 to execute code or for data variables. The partitioning is performed within the linker. The C28x device presents a unified memory map to the programmer. This makes for easier programming in high-level languages.

8.1.8 L0, L1, L2, L3, L4, L5, L6, L7 SARAMs

The F28335/F28333/F28235 and F28334/F28234 each contain 32K × 16 of single-access RAM, divided into 8 blocks (L0–L7 with 4K each). The F28332/F28232 contain 24K × 16 of single-access RAM, divided into 6 blocks (L0–L5 with 4K each). Each block can be independently accessed to minimize CPU pipeline stalls. Each block is mapped to both program and data space. L4, L5, L6, and L7 are DMA-accessible.

8.1.9 Boot ROM

The Boot ROM is factory-programmed with boot-loading software. Boot-mode signals are provided to tell the bootloader software what boot mode to use on power up. The user can select to boot normally or to download new software from an external connection or to select boot software that is programmed in the internal Flash/ROM. The Boot ROM also contains standard tables, such as SIN/COS waveforms, for use in math related algorithms.

Table 8-1. Boot Mode Selection

MODE	GPIO87/XA15	GPIO86/XA14	GPIO85/XA13	GPIO84/XA12	MODE ⁽¹⁾
F	1	1	1	1	Jump to Flash
E	1	1	1	0	SCI-A boot

Table 8-1. Boot Mode Selection (continued)

MODE	GPIO87/XA15	GPIO86/XA14	GPIO85/XA13	GPIO84/XA12	MODE ⁽¹⁾
D	1	1	0	1	SPI-A boot
C	1	1	0	0	I2C-A boot
B	1	0	1	1	eCAN-A boot
A	1	0	1	0	McBSP-A boot
9	1	0	0	1	Jump to XINTF x16
8	1	0	0	0	Jump to XINTF x32
7	0	1	1	1	Jump to OTP
6	0	1	1	0	Parallel GPIO I/O boot
5	0	1	0	1	Parallel XINTF boot
4	0	1	0	0	Jump to SARAM
3	0	0	1	1	Branch to check boot mode
2	0	0	1	0	Branch to Flash, skip ADC calibration
1	0	0	0	1	Branch to SARAM, skip ADC calibration
0	0	0	0	0	Branch to SCI, skip ADC calibration

(1) All four GPIO pins have an internal pullup.

Note

Modes 0, 1, and 2 in [Table 8-1](#) are for TI debug only. Skipping the ADC calibration function in an application will cause the ADC to operate outside of the stated specifications

8.1.9.1 Peripheral Pins Used by the Bootloader

Table 8-2 shows which GPIO pins are used by each peripheral bootloader. Refer to the GPIO mux table to see if these conflict with any of the peripherals you would like to use in your application.

Table 8-2. Peripheral Bootload Pins

BOOTLOADER	PERIPHERAL LOADER PINS
SCI-A	SCIRXDA (GPIO28) SCITXDA (GPIO29)
SPI-A	SPISIMOA (GPIO16) SPISOMIA (GPIO17) SPICLKA (GPIO18) SPISTEA (GPIO19)
I2C	SDAA (GPIO32) SCLA (GPIO33)
CAN	CANRXA (GPIO30) CANTXA (GPIO31)
McBSP	MDXA (GPIO20) MDRA (GPIO21) MCLKXA (GPIO22) MFSXA (GPIO23) MCLKRA (GPIO7) MFSRA (GPIO5)

8.1.10 Security

The devices support high levels of security to protect the user firmware from being reverse engineered. The security features a 128-bit password (hardcoded for 16 wait-states), which the user programs into the flash. One code security module (CSM) is used to protect the flash/OTP and the L0/L1/L2/L3 SARAM blocks. The security feature prevents unauthorized users from examining the memory contents via the JTAG port, executing code from external memory or trying to boot-load some undesirable software that would export the secure memory contents. To enable access to the secure blocks, the user must write the correct 128-bit KEY value, which matches the value stored in the password locations within the Flash.

In addition to the CSM, the emulation code security logic (ECSL) has been implemented to prevent unauthorized users from stepping through secure code. Any code or data access to flash, user OTP, L0, L1, L2, or L3 memory while the emulator is connected will trip the ECSL and break the emulation connection. To allow emulation of secure code, while maintaining the CSM protection against secure memory reads, the user must write the correct value into the lower 64 bits of the KEY register, which matches the value stored in the lower 64 bits of the password locations within the flash. Note that dummy reads of all 128 bits of the password in the flash must still be performed. If the lower 64 bits of the password locations are all ones (unprogrammed), then the KEY value does not need to match.

When initially debugging a device with the password locations in flash programmed (that is, secured), the emulator takes some time to take control of the CPU. During this time, the CPU will start running and may execute an instruction that performs an access to a protected ECSL area. If this happens, the ECSL will trip and cause the emulator connection to be cut. Two solutions to this problem exist:

1. The first is to use the Wait-In-Reset emulation mode, which will hold the device in reset until the emulator takes control. The emulator must support this mode for this option.
2. The second option is to use the “Branch to check boot mode” boot option. This will sit in a loop and continuously poll the boot mode select pins. The user can select this boot mode and then exit this mode once the emulator is connected by re-mapping the PC to another address or by changing the boot mode selection pin to the desired boot mode.

Note

- When the code-security passwords are programmed, all addresses from 0x33FF80 to 0x33FFF5 cannot be used as program code or data. These locations must be programmed to 0x0000.
- If the code security feature is not used, addresses 0x33FF80 to 0x33FFEF may be used for code or data. Addresses 0x33FFF0 to 0x33FFF5 are reserved for data and should not contain program code.

The 128-bit password (at 0x33FFF8 to 0x33FFFF) must not be programmed to zeros. Doing so would permanently lock the device.

Note

THE CODE SECURITY MODULE (CSM) INCLUDED ON THIS DEVICE WAS DESIGNED TO PASSWORD PROTECT THE DATA STORED IN THE ASSOCIATED MEMORY (EITHER ROM OR FLASH) AND IS WARRANTED BY TEXAS INSTRUMENTS (TI), IN ACCORDANCE WITH ITS STANDARD TERMS AND CONDITIONS, TO CONFORM TO TI'S PUBLISHED SPECIFICATIONS FOR THE WARRANTY PERIOD APPLICABLE FOR THIS DEVICE.

TI DOES NOT, HOWEVER, WARRANT OR REPRESENT THAT THE CSM CANNOT BE COMPROMISED OR BREACHED OR THAT THE DATA STORED IN THE ASSOCIATED MEMORY CANNOT BE ACCESSED THROUGH OTHER MEANS. MOREOVER, EXCEPT AS SET FORTH ABOVE, TI MAKES NO WARRANTIES OR REPRESENTATIONS CONCERNING THE CSM OR OPERATION OF THIS DEVICE, INCLUDING ANY IMPLIED WARRANTIES OF MERCHANTABILITY OR FITNESS FOR A PARTICULAR PURPOSE.

IN NO EVENT SHALL TI BE LIABLE FOR ANY CONSEQUENTIAL, SPECIAL, INDIRECT, INCIDENTAL, OR PUNITIVE DAMAGES, HOWEVER CAUSED, ARISING IN ANY WAY OUT OF YOUR USE OF THE CSM OR THIS DEVICE, WHETHER OR NOT TI HAS BEEN ADVISED OF THE POSSIBILITY OF SUCH DAMAGES. EXCLUDED DAMAGES INCLUDE, BUT ARE NOT LIMITED TO LOSS OF DATA, LOSS OF GOODWILL, LOSS OF USE OR INTERRUPTION OF BUSINESS OR OTHER ECONOMIC LOSS.

8.1.11 Peripheral Interrupt Expansion (PIE) Block

The PIE block serves to multiplex numerous interrupt sources into a smaller set of interrupt inputs. The PIE block can support up to 96 peripheral interrupts. On the 2833x/2823x, 58 of the possible 96 interrupts are used by peripherals. The 96 interrupts are grouped into blocks of 8 and each group is fed into 1 of 12 CPU interrupt lines (INT1 to INT12). Each of the 96 interrupts is supported by its own vector stored in a dedicated RAM block that can be overwritten by the user. The vector is automatically fetched by the CPU on servicing the interrupt. It takes eight CPU clock cycles to fetch the vector and save critical CPU registers. Hence the CPU can quickly respond to interrupt events. Prioritization of interrupts is controlled in hardware and software. Each individual interrupt can be enabled or disabled within the PIE block.

8.1.12 External Interrupts (XINT1–XINT7, XNMI)

The devices support eight masked external interrupts (XINT1–XINT7, XNMI). XNMI can be connected to the INT13 or NMI interrupt of the CPU. Each of the interrupts can be selected for negative, positive, or both negative and positive edge triggering and can also be enabled or disabled (including the XNMI). XINT1, XINT2, and XNMI also contain a 16-bit free-running up counter, which is reset to zero when a valid interrupt edge is detected. This counter can be used to accurately time-stamp the interrupt. Unlike the 281x devices, there are no dedicated pins for the external interrupts. XINT1, XINT2, and XNMI interrupts can accept inputs from GPIO0–GPIO31 pins. XINT3–XINT7 interrupts can accept inputs from GPIO32–GPIO63 pins.

8.1.13 Oscillator and PLL

The device can be clocked by an external oscillator or by a crystal attached to the on-chip oscillator circuit. A PLL is provided supporting up to 10 input-clock-scaling ratios. The PLL ratios can be changed on-the-fly in software, enabling the user to scale back on operating frequency if lower power operation is desired. Refer to [Section 7.9.4.4](#) for timing details. The PLL block can be set in bypass mode.

8.1.14 Watchdog

The devices contain a watchdog timer. The user software must regularly reset the watchdog counter within a certain time frame; otherwise, the watchdog will generate a reset to the processor. The watchdog can be disabled if necessary.

8.1.15 Peripheral Clocking

The clocks to each individual peripheral can be enabled or disabled so as to reduce power consumption when a peripheral is not in use. Additionally, the system clock to the serial ports (except I2C and eCAN) and the ADC blocks can be scaled relative to the CPU clock. This enables the timing of peripherals to be decoupled from increasing CPU clock speeds.

8.1.16 Low-Power Modes

The devices are full static CMOS devices. Three low-power modes are provided:

IDLE:	Place CPU into low-power mode. Peripheral clocks may be turned off selectively and only those peripherals that need to function during IDLE are left operating. An enabled interrupt from an active peripheral or the watchdog timer will wake the processor from IDLE mode.
STANDBY:	Turns off clock to CPU and peripherals. This mode leaves the oscillator and PLL functional. An external interrupt event will wake the processor and the peripherals. Execution begins on the next valid cycle after detection of the interrupt event
HALT:	Turns off the internal oscillator. This mode basically shuts down the device and places it in the lowest possible power consumption mode. A reset or external signal can wake the device from this mode.

8.1.17 Peripheral Frames 0, 1, 2, 3 (PFn)

The device segregates peripherals into four sections. The mapping of peripherals is as follows:

PF0:	PIE:	PIE Interrupt Enable and Control Registers Plus PIE Vector Table
	Flash:	Flash Waitstate Registers
	XINTF:	External Interface Registers
	DMA	DMA Registers
	Timers:	CPU-Timers 0, 1, 2 Registers
	CSM:	Code Security Module KEY Registers
	ADC:	ADC Result Registers (dual-mapped)
PF1:	eCAN:	eCAN Mailbox and Control Registers
	GPIO:	GPIO MUX Configuration and Control Registers
	ePWM:	Enhanced Pulse Width Modulator Module and Registers (dual mapped)
	eCAP:	Enhanced Capture Module and Registers
	eQEP:	Enhanced Quadrature Encoder Pulse Module and Registers
PF2:	SYS:	System Control Registers
	SCI:	Serial Communications Interface (SCI) Control and RX/TX Registers
	SPI:	Serial Port Interface (SPI) Control and RX/TX Registers
	ADC:	ADC Status, Control, and Result Register
	I2C:	Inter-Integrated Circuit Module and Registers
	XINT	External Interrupt Registers
PF3:	McBSP	Multichannel Buffered Serial Port Registers
	ePWM:	Enhanced Pulse Width Modulator Module and Registers (dual mapped)

8.1.18 General-Purpose Input/Output (GPIO) Multiplexer

Most of the peripheral signals are multiplexed with GPIO signals. This enables the user to use a pin as GPIO if the peripheral signal or function is not used. On reset, GPIO pins are configured as inputs. The user can individually program each pin for GPIO mode or peripheral signal mode. For specific inputs, the user can also select the number of input qualification cycles. This is to filter unwanted noise glitches. The GPIO signals can also be used to bring the device out of specific low-power modes.

8.1.19 32-Bit CPU-Timers (0, 1, 2)

CPU-Timers 0, 1, and 2 are identical 32-bit timers with presetable periods and with 16-bit clock prescaling. The timers have a 32-bit count down register, which generates an interrupt when the counter reaches zero. The counter is decremented at the CPU clock speed divided by the prescale value setting. When the counter reaches zero, it is automatically reloaded with a 32-bit period value. CPU-Timer 2 is reserved for Real-Time OS (RTOS)/BIOS applications. It is connected to INT14 of the CPU. If DSP/BIOS or SYS/BIOS is not being used, CPU-Timer 2 is available for general use. CPU-Timer 1 is for general use and can be connected to INT13 of the CPU. CPU-Timer 0 is also for general use and is connected to the PIE block.

8.1.20 Control Peripherals

The 2833x/2823x devices support the following peripherals which are used for embedded control and communication:

- ePWM: The enhanced PWM peripheral supports independent and complementary PWM generation, adjustable dead-band generation for leading and trailing edges, latched and cycle-by-cycle trip mechanism. Some of the PWM pins support HRPWM features. The ePWM registers are supported by the DMA to reduce the overhead for servicing this peripheral.
- eCAP: The enhanced capture peripheral uses a 32-bit time base and registers up to four programmable events in continuous/one-shot capture modes. This peripheral can also be configured to generate an auxiliary PWM signal.
- eQEP: The enhanced QEP peripheral uses a 32-bit position counter, supports low-speed measurement using capture unit and high-speed measurement using a 32-bit unit timer. This peripheral has a watchdog timer to detect motor stall and input error detection logic to identify simultaneous edge transition in QEP signals.
- ADC: The ADC block is a 12-bit converter, single ended, 16-channels. It contains two sample-and-hold units for simultaneous sampling. The ADC registers are supported by the DMA to reduce the overhead for servicing this peripheral.

8.1.21 Serial Port Peripherals

The devices support the following serial communication peripherals:

- eCAN: This is the enhanced version of the CAN peripheral. It supports 32 mailboxes, time-stamping of messages, and is compliant with ISO 11898-1 (CAN 2.0B).
- McBSP: The multichannel buffered serial port (McBSP) connects to E1/T1 lines, phone-quality codecs for modem applications or high-quality stereo audio DAC devices. The McBSP receive and transmit registers are supported by the DMA to significantly reduce the overhead for servicing this peripheral. Each McBSP module can be configured as an SPI as required.
- SPI: The SPI is a high-speed, synchronous serial I/O port that allows a serial bit stream of programmed length (1 to 16 bits) to be shifted into and out of the device at a programmable bit-transfer rate. Normally, the SPI is used for communications between the DSC and external peripherals or another processor. Typical applications include external I/O or peripheral expansion through devices such as shift registers, display drivers, and ADCs. Multidevice communications are supported by the master/slave operation of the SPI. On the 2833x/2823x, the SPI contains a 16-level receive and transmit FIFO for reducing interrupt servicing overhead.
- SCI: The serial communications interface is a 2-wire asynchronous serial port, commonly known as UART. The SCI contains a 16-level receive and transmit FIFO for reducing interrupt servicing overhead.
- I2C: The inter-integrated circuit (I2C) module provides an interface between a DSC and other devices compliant with Philips Semiconductors Inter-IC bus (I2C-bus) specification version 2.1 and connected by way of an I2C-bus. External components attached to this 2-wire serial bus can transmit/receive up to 8-bit data to/from the DSC through the I2C module. On the 2833x/2823x, the I2C contains a 16-level receive and transmit FIFO for reducing interrupt servicing overhead.

8.2 Peripherals

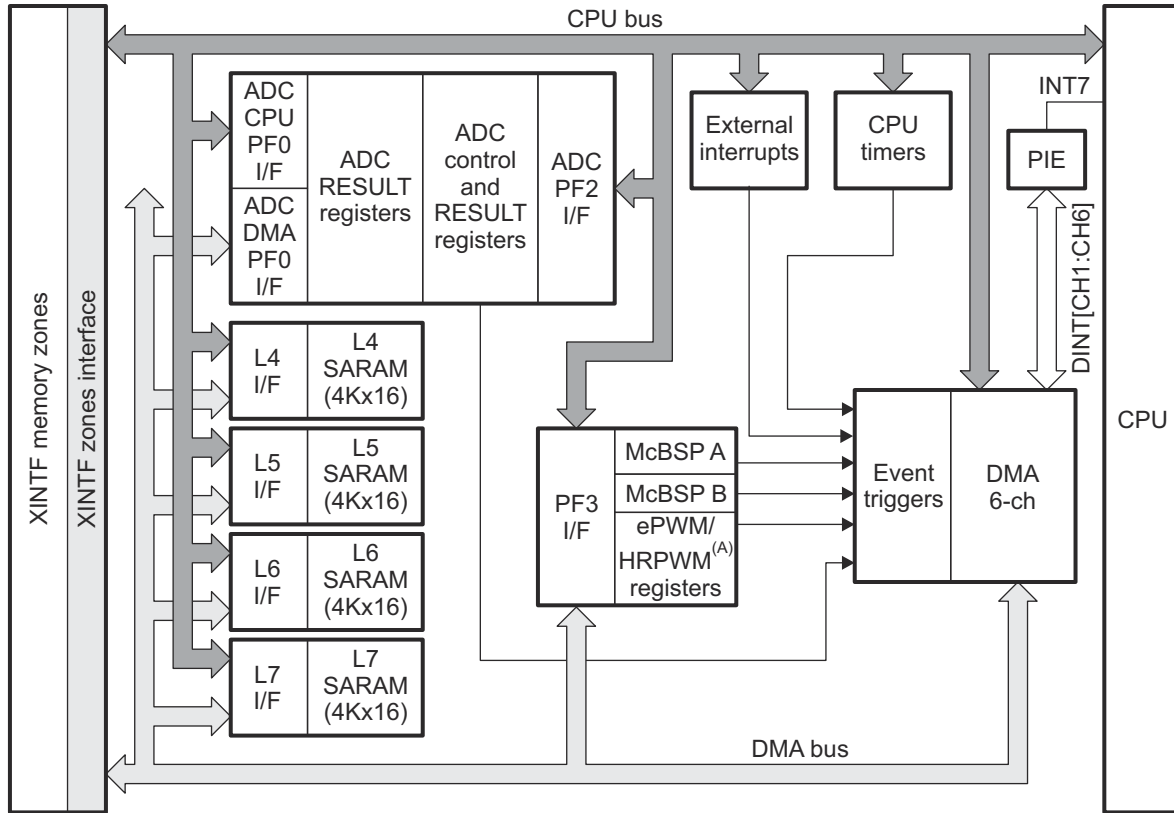
The integrated peripherals of the 2833x and 2823x devices are described in the following subsections:

- 6-channel Direct Memory Access (DMA)
- Three 32-bit CPU-Timers
- Up to six enhanced PWM modules (ePWM1, ePWM2, ePWM3, ePWM4, ePWM5, ePWM6)
- Up to six enhanced capture modules (eCAP1, eCAP2, eCAP3, eCAP4, eCAP5, eCAP6)
- Up to two enhanced QEP modules (eQEP1, eQEP2)
- Enhanced analog-to-digital converter (ADC) module
- Up to two enhanced controller area network (eCAN) modules (eCAN-A, eCAN-B)
- Up to three serial communications interface modules (SCI-A, SCI-B, SCI-C)
- One serial peripheral interface (SPI) module (SPI-A)
- Inter-integrated circuit (I2C) module
- Up to two multichannel buffered serial port (McBSP-A, McBSP-B) modules
- Digital I/O and shared pin functions
- External Interface (XINTF)

8.2.1 DMA Overview

Features:

- 6 channels with independent PIE interrupts
- Trigger sources:
 - ePWM SOCA/SOCB
 - ADC Sequencer 1 and Sequencer 2
 - McBSP-A and McBSP-B transmit and receive logic
 - XINT1–7 and XINT13
 - CPU timers
 - Software
- Data sources and destinations:
 - L4–L7 16K × 16 SARAM
 - All XINTF zones
 - ADC Memory Bus mapped RESULT registers
 - McBSP-A and McBSP-B transmit and receive buffers
 - ePWM registers
- Word Size: 16-bit or 32-bit (McBSPs limited to 16-bit)
- Throughput: 4 cycles/word (5 cycles/word for McBSP reads)



A. The ePWM and HRPWM registers must be remapped to PF3 (through bit 0 of the MAPCNF register) before they can be accessed by the DMA. The ePWM or HRPWM connection to DMA is not present in silicon revision 0.

Figure 8-1. DMA Functional Block Diagram

8.2.2 32-Bit CPU-Timer 0, CPU-Timer 1, CPU-Timer 2

There are three 32-bit CPU-timers on the devices (CPU-Timer 0, CPU-Timer 1, CPU-Timer 2).

CPU-Timer 2 is reserved for DSP/BIOS or SYS/BIOS. CPU-Timer 0 and CPU-Timer 1 can be used in user applications. These timers are different from the timers that are present in the ePWM modules.

Note

If the application is not using DSP/BIOS or SYS/BIOS, then CPU-Timer 2 can be used in the application.

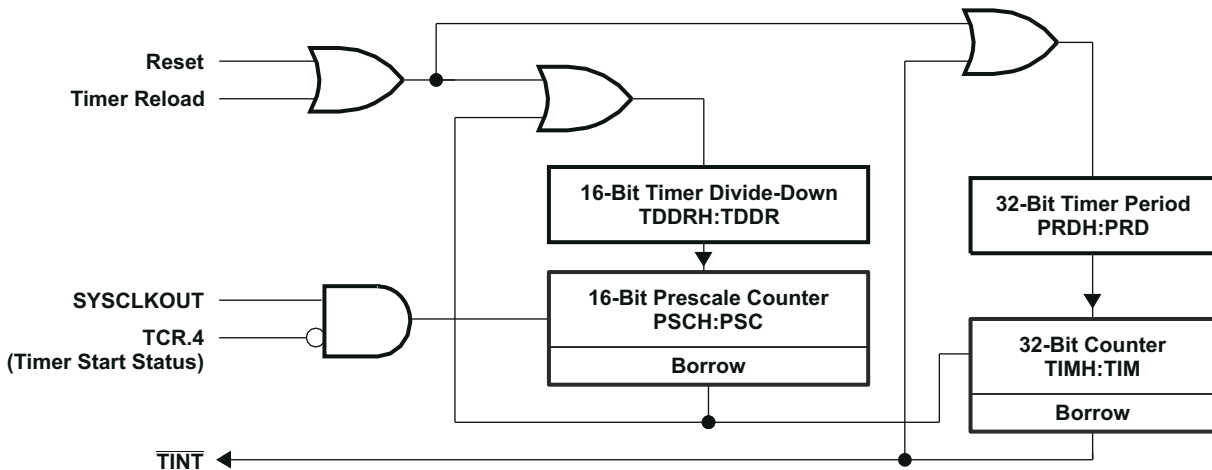
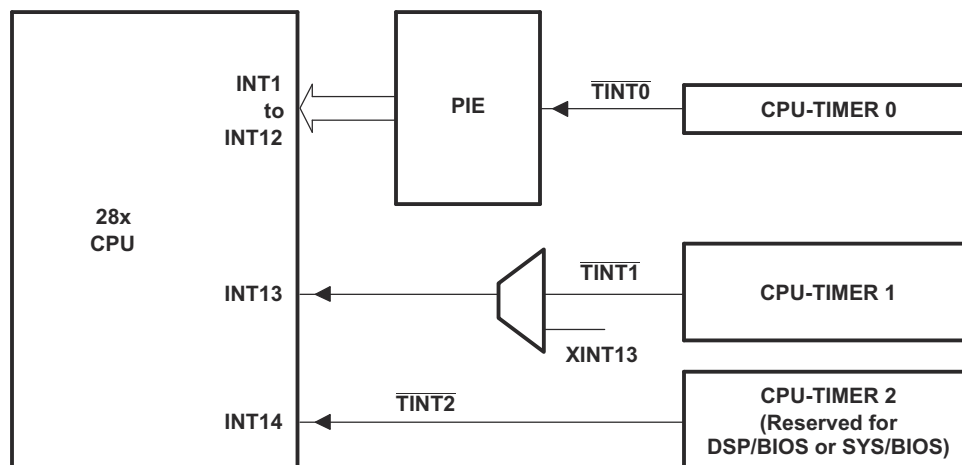


Figure 8-2. CPU-Timers

The timer interrupt signals ($\overline{TINT0}$, $\overline{TINT1}$, $\overline{TINT2}$) are connected as shown in Figure 8-3.



- A. The timer registers are connected to the memory bus of the C28x processor.
- B. The timing of the timers is synchronized to SYSCLKOUT of the processor clock.

Figure 8-3. CPU-Timer Interrupt Signals and Output Signal

The general operation of the timer is as follows: The 32-bit counter register "TIMH:TIM" is loaded with the value in the period register "PRDH:PRD". The counter register decrements at the SYSCLKOUT rate of the C28x. When the counter reaches 0, a timer interrupt output signal generates an interrupt pulse. The registers listed in Table 8-3 are used to configure the timers. For more information, see the [TMS320x2833x, 2823x system control and interrupts reference guide](#).

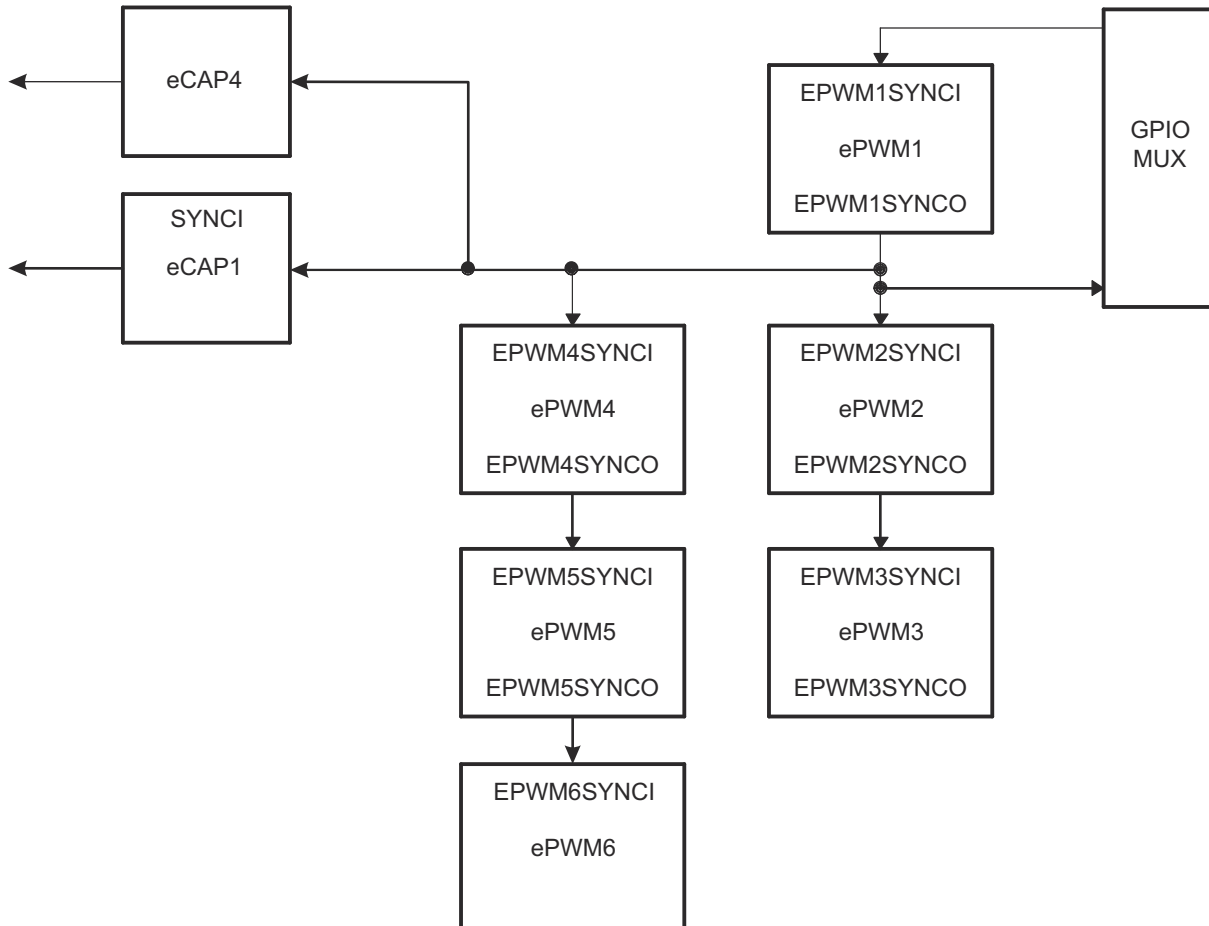
Table 8-3. CPU-Timers 0, 1, 2 Configuration and Control Registers

NAME	ADDRESS	SIZE (x16)	DESCRIPTION
TIMER0TIM	0x0C00	1	CPU-Timer 0, Counter Register
TIMER0TIMH	0x0C01	1	CPU-Timer 0, Counter Register High
TIMER0PRD	0x0C02	1	CPU-Timer 0, Period Register
TIMER0PRDH	0x0C03	1	CPU-Timer 0, Period Register High
TIMER0TCR	0x0C04	1	CPU-Timer 0, Control Register
Reserved	0x0C05	1	
TIMER0TPR	0x0C06	1	CPU-Timer 0, Prescale Register
TIMER0TPRH	0x0C07	1	CPU-Timer 0, Prescale Register High
TIMER1TIM	0x0C08	1	CPU-Timer 1, Counter Register
TIMER1TIMH	0x0C09	1	CPU-Timer 1, Counter Register High
TIMER1PRD	0x0C0A	1	CPU-Timer 1, Period Register
TIMER1PRDH	0x0C0B	1	CPU-Timer 1, Period Register High
TIMER1TCR	0x0C0C	1	CPU-Timer 1, Control Register
Reserved	0x0C0D	1	
TIMER1TPR	0x0C0E	1	CPU-Timer 1, Prescale Register
TIMER1TPRH	0x0C0F	1	CPU-Timer 1, Prescale Register High
TIMER2TIM	0x0C10	1	CPU-Timer 2, Counter Register
TIMER2TIMH	0x0C11	1	CPU-Timer 2, Counter Register High
TIMER2PRD	0x0C12	1	CPU-Timer 2, Period Register
TIMER2PRDH	0x0C13	1	CPU-Timer 2, Period Register High
TIMER2TCR	0x0C14	1	CPU-Timer 2, Control Register
Reserved	0x0C15	1	
TIMER2TPR	0x0C16	1	CPU-Timer 2, Prescale Register
TIMER2TPRH	0x0C17	1	CPU-Timer 2, Prescale Register High
Reserved	0x0C18 – 0x0C3F	40	

8.2.3 Enhanced PWM Modules

The 2833x/2823x devices contain up to six enhanced PWM (ePWM) modules (ePWM1 to ePWM6). Figure 8-4 shows the time-base counter synchronization scheme 3. Figure 8-5 shows the signal interconnections with the ePWM.

Table 8-4 shows the complete ePWM register set per module and Table 8-5 shows the remapped register configuration.



- A. By default, ePWM and HRPWM registers are mapped to Peripheral Frame 1 (PF1). Table 8-4 shows this configuration. To re-map the registers to Peripheral Frame 3 (PF3) to enable DMA access, bit 0 (MAPEPWM) of MAPCNF register (address 0x702E) must be set to 1. Table 8-5 shows the remapped configuration.

Figure 8-4. Time-Base Counter Synchronization Scheme 3

Table 8-4. ePWM Control and Status Registers (Default Configuration in PF1)

NAME	ePWM1	ePWM2	ePWM3	ePWM4	ePWM5	ePWM6	SIZE (x16) / #SHADOW	DESCRIPTION
TBCTL	0x6800	0x6840	0x6880	0x68C0	0x6900	0x6940	1 / 0	Time Base Control Register
TBSTS	0x6801	0x6841	0x6881	0x68C1	0x6901	0x6941	1 / 0	Time Base Status Register
TBPHSHR	0x6802	0x6842	0x6882	0x68C2	0x6902	0x6942	1 / 0	Time Base Phase HRPWM Register
TBPHS	0x6803	0x6843	0x6883	0x68C3	0x6903	0x6943	1 / 0	Time Base Phase Register
TBCTR	0x6804	0x6844	0x6884	0x68C4	0x6904	0x6944	1 / 0	Time Base Counter Register
TBPRD	0x6805	0x6845	0x6885	0x68C5	0x6905	0x6945	1 / 1	Time Base Period Register Set
CMPCTL	0x6807	0x6847	0x6887	0x68C7	0x6907	0x6947	1 / 0	Counter Compare Control Register
CMPAHR	0x6808	0x6848	0x6888	0x68C8	0x6908	0x6948	1 / 1	Time Base Compare A HRPWM Register

Table 8-4. ePWM Control and Status Registers (Default Configuration in PF1) (continued)

NAME	ePWM1	ePWM2	ePWM3	ePWM4	ePWM5	ePWM6	SIZE (x16) / #SHADOW	DESCRIPTION
CMPA	0x6809	0x6849	0x6889	0x68C9	0x6909	0x6949	1 / 1	Counter Compare A Register Set
CMPB	0x680A	0x684A	0x688A	0x68CA	0x690A	0x694A	1 / 1	Counter Compare B Register Set
AQCTLA	0x680B	0x684B	0x688B	0x68CB	0x690B	0x694B	1 / 0	Action Qualifier Control Register For Output A
AQCTLB	0x680C	0x684C	0x688C	0x68CC	0x690C	0x694C	1 / 0	Action Qualifier Control Register For Output B
AQSFRC	0x680D	0x684D	0x688D	0x68CD	0x690D	0x694D	1 / 0	Action Qualifier Software Force Register
AQCSFR C	0x680E	0x684E	0x688E	0x68CE	0x690E	0x694E	1 / 1	Action Qualifier Continuous S/W Force Register Set
DBCTL	0x680F	0x684F	0x688F	0x68CF	0x690F	0x694F	1 / 1	Dead-Band Generator Control Register
DBRED	0x6810	0x6850	0x6890	0x68D0	0x6910	0x6950	1 / 0	Dead-Band Generator Rising Edge Delay Count Register
DBFED	0x6811	0x6851	0x6891	0x68D1	0x6911	0x6951	1 / 0	Dead-Band Generator Falling Edge Delay Count Register
TZSEL	0x6812	0x6852	0x6892	0x68D2	0x6912	0x6952	1 / 0	Trip Zone Select Register ⁽¹⁾
TZCTL	0x6814	0x6854	0x6894	0x68D4	0x6914	0x6954	1 / 0	Trip Zone Control Register ⁽¹⁾
TZEINT	0x6815	0x6855	0x6895	0x68D5	0x6915	0x6955	1 / 0	Trip Zone Enable Interrupt Register ⁽¹⁾
TZFLG	0x6816	0x6856	0x6896	0x68D6	0x6916	0x6956	1 / 0	Trip Zone Flag Register
TZCLR	0x6817	0x6857	0x6897	0x68D7	0x6917	0x6957	1 / 0	Trip Zone Clear Register ⁽¹⁾
TZFR C	0x6818	0x6858	0x6898	0x68D8	0x6918	0x6958	1 / 0	Trip Zone Force Register ⁽¹⁾
ETSEL	0x6819	0x6859	0x6899	0x68D9	0x6919	0x6959	1 / 0	Event Trigger Selection Register
ETPS	0x681A	0x685A	0x689A	0x68DA	0x691A	0x695A	1 / 0	Event Trigger Prescale Register
ETFLG	0x681B	0x685B	0x689B	0x68DB	0x691B	0x695B	1 / 0	Event Trigger Flag Register
ETCLR	0x681C	0x685C	0x689C	0x68DC	0x691C	0x695C	1 / 0	Event Trigger Clear Register
ETFR C	0x681D	0x685D	0x689D	0x68DD	0x691D	0x695D	1 / 0	Event Trigger Force Register
PCCTL	0x681E	0x685E	0x689E	0x68DE	0x691E	0x695E	1 / 0	PWM Chopper Control Register
HRCNFG	0x6820	0x6860	0x68A0	0x68E0	0x6920	0x6960	1 / 0	HRPWM Configuration Register ⁽¹⁾

(1) Registers that are EALLOW protected.

Table 8-5. ePWM Control and Status Registers (Remapped Configuration in PF3 - DMA-Accessible)

NAME	ePWM1	ePWM2	ePWM3	ePWM4	ePWM5	ePWM6	SIZE (x16) / #SHADOW	DESCRIPTION
TBCTL	0x5800	0x5840	0x5880	0x58C0	0x5900	0x5940	1 / 0	Time Base Control Register
TBSTS	0x5801	0x5841	0x5881	0x58C1	0x5901	0x5941	1 / 0	Time Base Status Register
TBPHSH R	0x5802	0x5842	0x5882	0x58C2	0x5902	0x5942	1 / 0	Time Base Phase HRPWM Register
TBPHS	0x5803	0x5843	0x5883	0x58C3	0x5903	0x5943	1 / 0	Time Base Phase Register
TBCTR	0x5804	0x5844	0x5884	0x58C4	0x5904	0x5944	1 / 0	Time Base Counter Register
TBPRD	0x5805	0x5845	0x5885	0x58C5	0x5905	0x5945	1 / 1	Time Base Period Register Set
CMPCTL	0x5807	0x5847	0x5887	0x58C7	0x5907	0x5947	1 / 0	Counter Compare Control Register
CMPAHR	0x5808	0x5848	0x5888	0x58C8	0x5908	0x5948	1 / 1	Time Base Compare A HRPWM Register
CMPA	0x5809	0x5849	0x5889	0x58C9	0x5909	0x5949	1 / 1	Counter Compare A Register Set
CMPB	0x580A	0x584A	0x588A	0x58CA	0x590A	0x594A	1 / 1	Counter Compare B Register Set
AQCTLA	0x580B	0x584B	0x588B	0x58CB	0x590B	0x594B	1 / 0	Action Qualifier Control Register For Output A
AQCTLB	0x580C	0x584C	0x588C	0x58CC	0x590C	0x594C	1 / 0	Action Qualifier Control Register For Output B
AQSFRC	0x580D	0x584D	0x588D	0x58CD	0x590D	0x594D	1 / 0	Action Qualifier Software Force Register

**Table 8-5. ePWM Control and Status Registers (Remapped Configuration in PF3 - DMA-Accessible)
(continued)**

NAME	ePWM1	ePWM2	ePWM3	ePWM4	ePWM5	ePWM6	SIZE (x16) / #SHADOW	DESCRIPTION
AQCSFR C	0x580E	0x584E	0x588E	0x58CE	0x590E	0x594E	1 / 1	Action Qualifier Continuous S/W Force Register Set
DBCTL	0x580F	0x584F	0x588F	0x58CF	0x590F	0x594F	1 / 1	Dead-Band Generator Control Register
DBRED	0x5810	0x5850	0x5890	0x58D0	0x5910	0x5950	1 / 0	Dead-Band Generator Rising Edge Delay Count Register
DBFED	0x5811	0x5851	0x5891	0x58D1	0x5911	0x5951	1 / 0	Dead-Band Generator Falling Edge Delay Count Register
TZSEL	0x5812	0x5852	0x5892	0x58D2	0x5912	0x5952	1 / 0	Trip Zone Select Register ⁽¹⁾
TZCTL	0x5814	0x5854	0x5894	0x58D4	0x5914	0x5954	1 / 0	Trip Zone Control Register ⁽¹⁾
TZEINT	0x5815	0x5855	0x5895	0x58D5	0x5915	0x5955	1 / 0	Trip Zone Enable Interrupt Register ⁽¹⁾
TZFLG	0x5816	0x5856	0x5896	0x58D6	0x5916	0x5956	1 / 0	Trip Zone Flag Register
TZCLR	0x5817	0x5857	0x5897	0x58D7	0x5917	0x5957	1 / 0	Trip Zone Clear Register ⁽¹⁾
TZFRC	0x5818	0x5858	0x5898	0x58D8	0x5918	0x5958	1 / 0	Trip Zone Force Register ⁽¹⁾
ETSEL	0x5819	0x5859	0x5899	0x58D9	0x5919	0x5959	1 / 0	Event Trigger Selection Register
ETPS	0x581A	0x585A	0x589A	0x58DA	0x591A	0x595A	1 / 0	Event Trigger Prescale Register
ETFLG	0x581B	0x585B	0x589B	0x58DB	0x591B	0x595B	1 / 0	Event Trigger Flag Register
ETCLR	0x581C	0x585C	0x589C	0x58DC	0x591C	0x595C	1 / 0	Event Trigger Clear Register
ETFRC	0x581D	0x585D	0x589D	0x58DD	0x591D	0x595D	1 / 0	Event Trigger Force Register
PCCTL	0x581E	0x585E	0x589E	0x58DE	0x591E	0x595E	1 / 0	PWM Chopper Control Register
HRCNFG	0x5820	0x5860	0x58A0	058E0	0x5920	0x5960	1 / 0	HRPWM Configuration Register ⁽¹⁾

(1) Registers that are EALLOW protected.

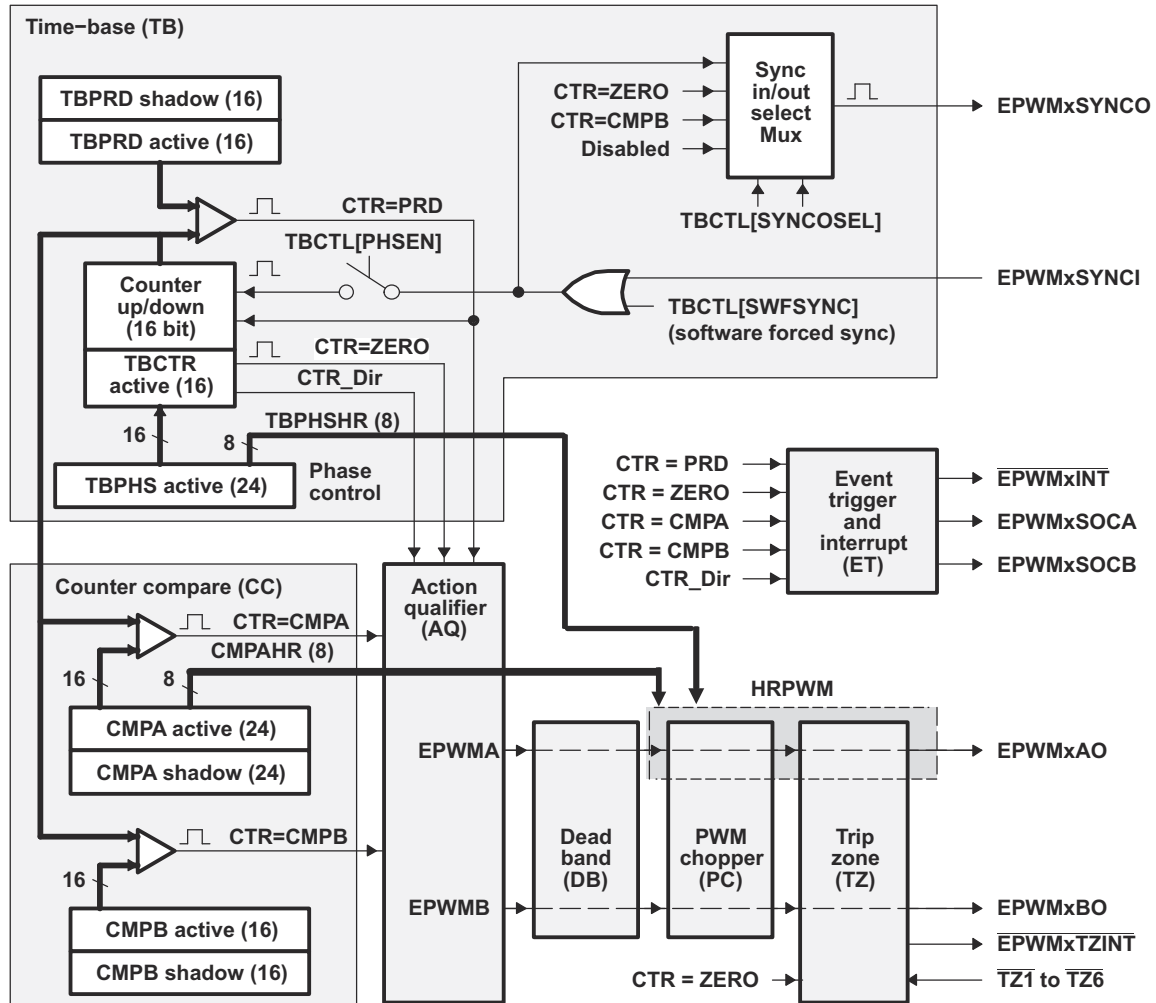


Figure 8-5. ePWM Submodules Showing Critical Internal Signal Interconnections

8.2.4 High-Resolution PWM (HRPWM)

The HRPWM module offers PWM resolution (time granularity) which is significantly better than what can be achieved using conventionally derived digital PWM methods. The key points for the HRPWM module are:

- Significantly extends the time resolution capabilities of conventionally derived digital PWM
- Typically used when effective PWM resolution falls below approximately 9 or 10 bits. This occurs at PWM frequencies greater than approximately 200 kHz when using a CPU/System clock of 100 MHz.
- This capability can be used in both duty cycle and phase-shift control methods.
- Finer time granularity control or edge positioning is controlled through extensions to the Compare A and Phase registers of the ePWM module.
- HRPWM capabilities are offered only on the A signal path of an ePWM module (that is, on the EPWMxA output). EPWMxB output has conventional PWM capabilities.

8.2.5 Enhanced CAP Modules

The 2833x/2823x device contains up to six enhanced capture (eCAP) modules (eCAP1 to eCAP6). Figure 8-6 shows a functional block diagram of a module.

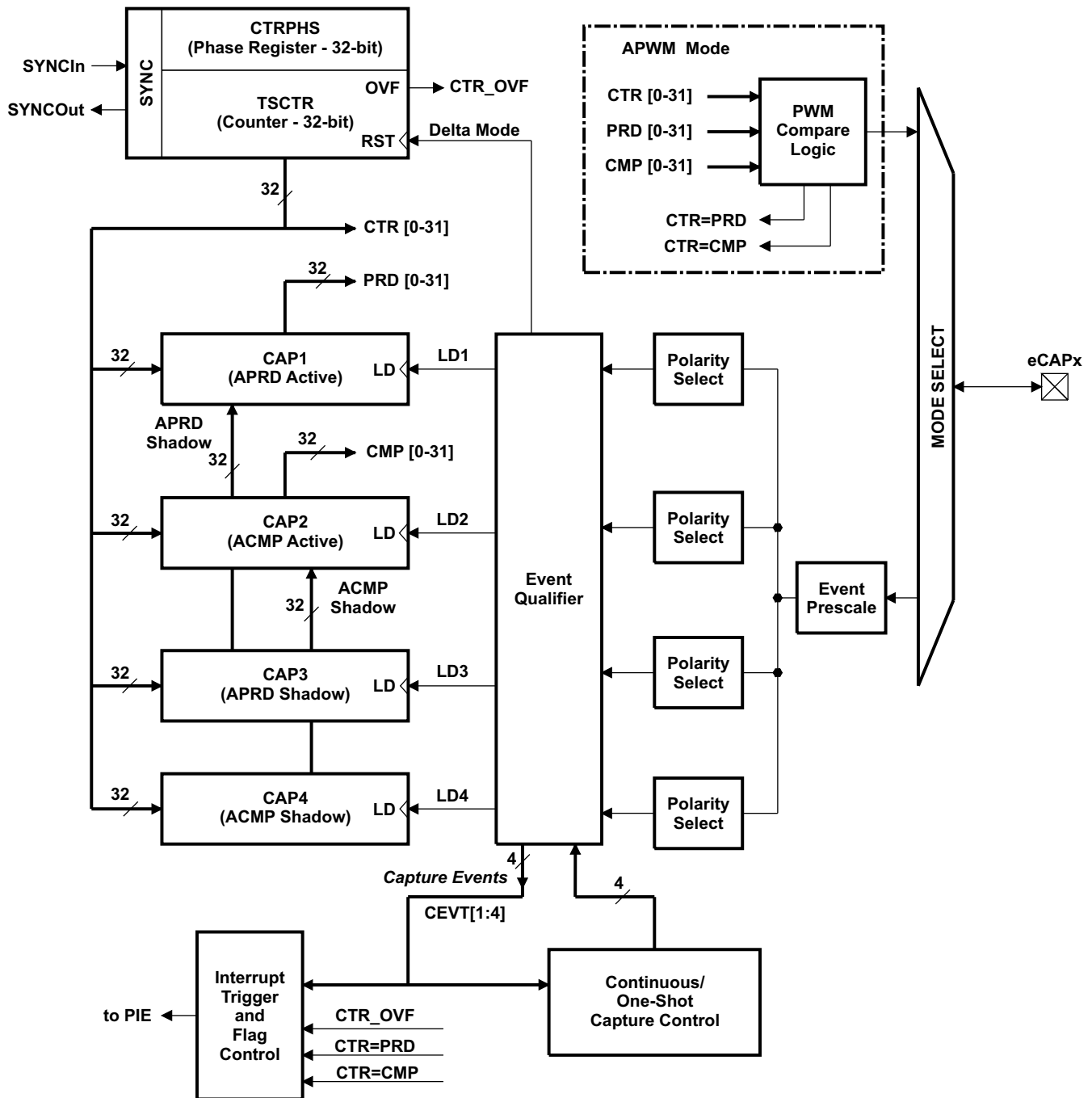


Figure 8-6. eCAP Functional Block Diagram

The eCAP modules are clocked at the SYSCLKOUT rate.

The clock enable bits (ECAP1ENCLK, ECAP2ENCLK, ECAP3ENCLK, ECAP4ENCLK, ECAP5ENCLK, ECAP6ENCLK) in the PCLKCR1 register are used to turn off the eCAP modules individually (for low power operation). Upon reset, ECAP1ENCLK, ECAP2ENCLK, ECAP3ENCLK, ECAP4ENCLK, ECAP5ENCLK, and ECAP6ENCLK are set to low, indicating that the peripheral clock is off.

Table 8-6. eCAP Control and Status Registers

NAME	eCAP1	eCAP2	eCAP3	eCAP4	eCAP5	eCAP6	SIZE (x16)	DESCRIPTION
TSCTR	0x6A00	0x6A20	0x6A40	0x6A60	0x6A80	0x6AA0	2	Timestamp Counter
CTRPHS	0x6A02	0x6A22	0x6A42	0x6A62	0x6A82	0x6AA2	2	Counter Phase Offset Value Register
CAP1	0x6A04	0x6A24	0x6A44	0x6A64	0x6A84	0x6AA4	2	Capture 1 Register
CAP2	0x6A06	0x6A26	0x6A46	0x6A66	0x6A86	0x6AA6	2	Capture 2 Register
CAP3	0x6A08	0x6A28	0x6A48	0x6A68	0x6A88	0x6AA8	2	Capture 3 Register
CAP4	0x6A0A	0x6A2A	0x6A4A	0x6A6A	0x6A8A	0x6AAA	2	Capture 4 Register
Reserved	0x6A0C-0x6A12	0x6A2C-0x6A32	0x6A4C-0x6A52	0x6A6C-0x6A72	0x6A8C-0x6A92	0x6AAC-0x6AB2	8	Reserved
ECCTL1	0x6A14	0x6A34	0x6A54	0x6A74	0x6A94	0x6AB4	1	Capture Control Register 1
ECCTL2	0x6A15	0x6A35	0x6A55	0x6A75	0x6A95	0x6AB5	1	Capture Control Register 2
ECEINT	0x6A16	0x6A36	0x6A56	0x6A76	0x6A96	0x6AB6	1	Capture Interrupt Enable Register
ECFLG	0x6A17	0x6A37	0x6A57	0x6A77	0x6A97	0x6AB7	1	Capture Interrupt Flag Register
ECCLR	0x6A18	0x6A38	0x6A58	0x6A78	0x6A98	0x6AB8	1	Capture Interrupt Clear Register
ECFRC	0x6A19	0x6A39	0x6A59	0x6A79	0x6A99	0x6AB9	1	Capture Interrupt Force Register
Reserved	0x6A1A-0x6A1F	0x6A3A-0x6A3F	0x6A5A-0x6A5F	0x6A7A-0x6A7F	0x6A9A-0x6A9F	0x6ABA-0x6ABF	6	Reserved

8.2.6 Enhanced QEP Modules

The device contains up to two enhanced quadrature encoder (eQEP) modules (eQEP1, eQEP2). [Figure 8-7](#) shows the block diagram of the eQEP module.

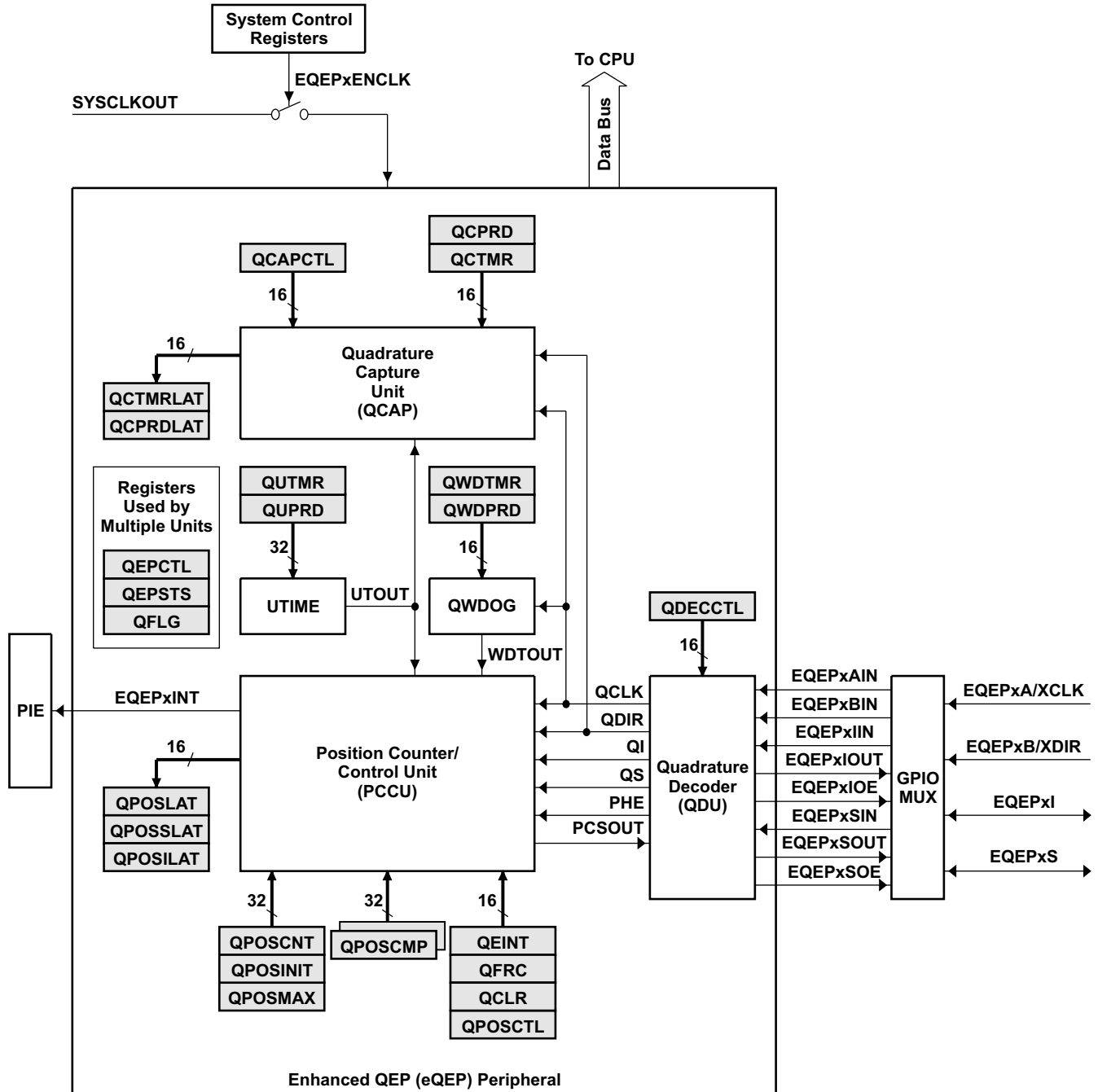


Figure 8-7. eQEP Functional Block Diagram

Table 8-7 provides a summary of the eQEP registers.

Table 8-7. eQEP Control and Status Registers

NAME	eQEP1 ADDRESS	eQEP2 ADDRESS	eQEP1 SIZE(x16)/ #SHADOW	REGISTER DESCRIPTION
QPOSCNT	0x6B00	0x6B40	2/0	eQEP Position Counter
QPOSINIT	0x6B02	0x6B42	2/0	eQEP Initialization Position Count
QPOSMAX	0x6B04	0x6B44	2/0	eQEP Maximum Position Count
QPOSCMP	0x6B06	0x6B46	2/1	eQEP Position-compare
QPOSILAT	0x6B08	0x6B48	2/0	eQEP Index Position Latch
QPOSSLAT	0x6B0A	0x6B4A	2/0	eQEP Strobe Position Latch
QPOSLAT	0x6B0C	0x6B4C	2/0	eQEP Position Latch
QUTMR	0x6B0E	0x6B4E	2/0	eQEP Unit Timer
QUPRD	0x6B10	0x6B50	2/0	eQEP Unit Period Register
QWDTMR	0x6B12	0x6B52	1/0	eQEP Watchdog Timer
QWDPRD	0x6B13	0x6B53	1/0	eQEP Watchdog Period Register
QDECCTL	0x6B14	0x6B54	1/0	eQEP Decoder Control Register
QEPCTL	0x6B15	0x6B55	1/0	eQEP Control Register
QCAPCTL	0x6B16	0x6B56	1/0	eQEP Capture Control Register
QPOSCTL	0x6B17	0x6B57	1/0	eQEP Position-compare Control Register
QEINT	0x6B18	0x6B58	1/0	eQEP Interrupt Enable Register
QFLG	0x6B19	0x6B59	1/0	eQEP Interrupt Flag Register
QCLR	0x6B1A	0x6B5A	1/0	eQEP Interrupt Clear Register
QFRC	0x6B1B	0x6B5B	1/0	eQEP Interrupt Force Register
QEPSTS	0x6B1C	0x6B5C	1/0	eQEP Status Register
QCTMR	0x6B1D	0x6B5D	1/0	eQEP Capture Timer
QCPRD	0x6B1E	0x6B5E	1/0	eQEP Capture Period Register
QCTMRLAT	0x6B1F	0x6B5F	1/0	eQEP Capture Timer Latch
QCPRDLAT	0x6B20	0x6B60	1/0	eQEP Capture Period Latch
Reserved	0x6B21 – 0x6B3F	0x6B61 – 0x6B7F	31/0	

8.2.7 Analog-to-Digital Converter (ADC) Module

A simplified functional block diagram of the ADC module is shown in [Figure 8-8](#). The ADC module consists of a 12-bit ADC with a built-in sample-and-hold (S/H) circuit. Functions of the ADC module include:

- 12-bit ADC core with built-in S/H
- Analog input: 0.0 V to 3.0 V (Voltages above 3.0 V produce full-scale conversion results.)
- Fast conversion rate: Up to 80 ns at 25-MHz ADC clock, 12.5 MSPS
- 16 dedicated ADC channels. 8 channels multiplexed per Sample/Hold
- Autosequencing capability provides up to 16 "autoconversions" in a single session. Each conversion can be programmed to select any 1 of 16 input channels
- Sequencer can be operated as two independent 8-state sequencers or as one large 16-state sequencer (that is, two cascaded 8-state sequencers)
- Sixteen result registers (individually addressable) to store conversion values

- The digital value of the input analog voltage is derived by:

$$\text{Digital Value} = 0 \quad , \text{ when } \text{ADCIN} \leq \text{ADCLO}$$

$$\text{Digital Value} = \text{floor} \left(4096 \times \frac{\text{ADCIN} - \text{ADCLO}}{3} \right) \quad , \text{ when } \text{ADCLO} < \text{ADCIN} < 3 \text{ V}$$

$$\text{Digital Value} = 4095 \quad , \text{ when } \text{ADCIN} \geq 3 \text{ V}$$

- Multiple triggers as sources for the start-of-conversion (SOC) sequence
 - S/W - software immediate start
 - ePWM start of conversion
 - XINT2 ADC start of conversion
- Flexible interrupt control allows interrupt request on every end-of-sequence (EOS) or every other EOS.
- Sequencer can operate in "start/stop" mode, allowing multiple "time-sequenced triggers" to synchronize conversions.
- SOCA and SOCB triggers can operate independently in dual-sequencer mode.
- Sample-and-hold (S/H) acquisition time window has separate prescale control.

The ADC module in the 2833x/2823x devices has been enhanced to provide flexible interface to ePWM peripherals. The ADC interface is built around a fast, 12-bit ADC module with a fast conversion rate of up to 80 ns at 25-MHz ADC clock. The ADC module has 16 channels, configurable as two independent 8-channel modules. The two independent 8-channel modules can be cascaded to form a 16-channel module. Although there are multiple input channels and two sequencers, there is only one converter in the ADC module. [Figure 8-8](#) shows the block diagram of the ADC module.

The two 8-channel modules have the capability to autosequence a series of conversions, each module has the choice of selecting any one of the respective eight channels available through an analog MUX. In the cascaded mode, the autosequencer functions as a single 16-channel sequencer. On each sequencer, once the conversion is complete, the selected channel value is stored in its respective RESULT register. Autosequencing allows the system to convert the same channel multiple times, allowing the user to perform oversampling algorithms. This gives increased resolution over traditional single-sampled conversion results.

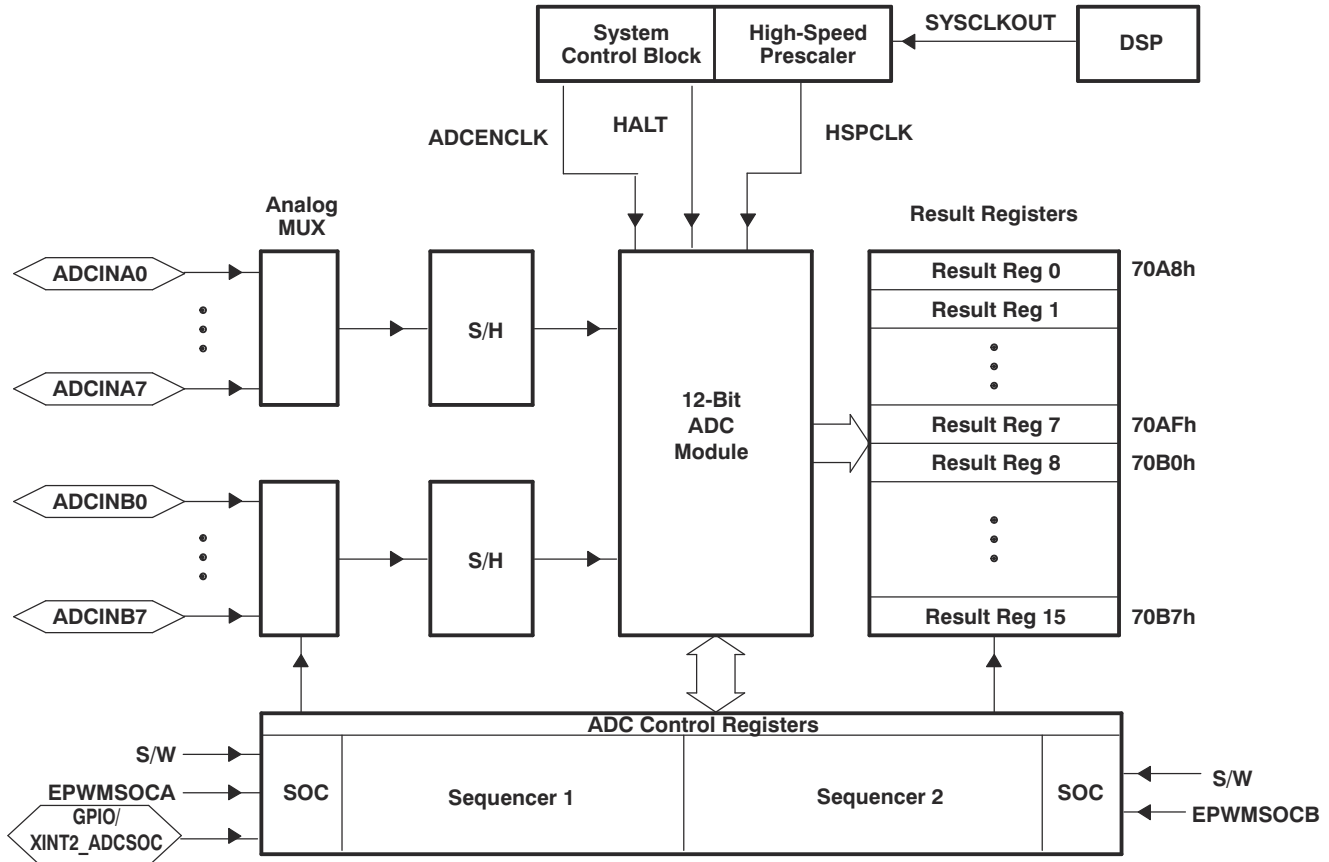


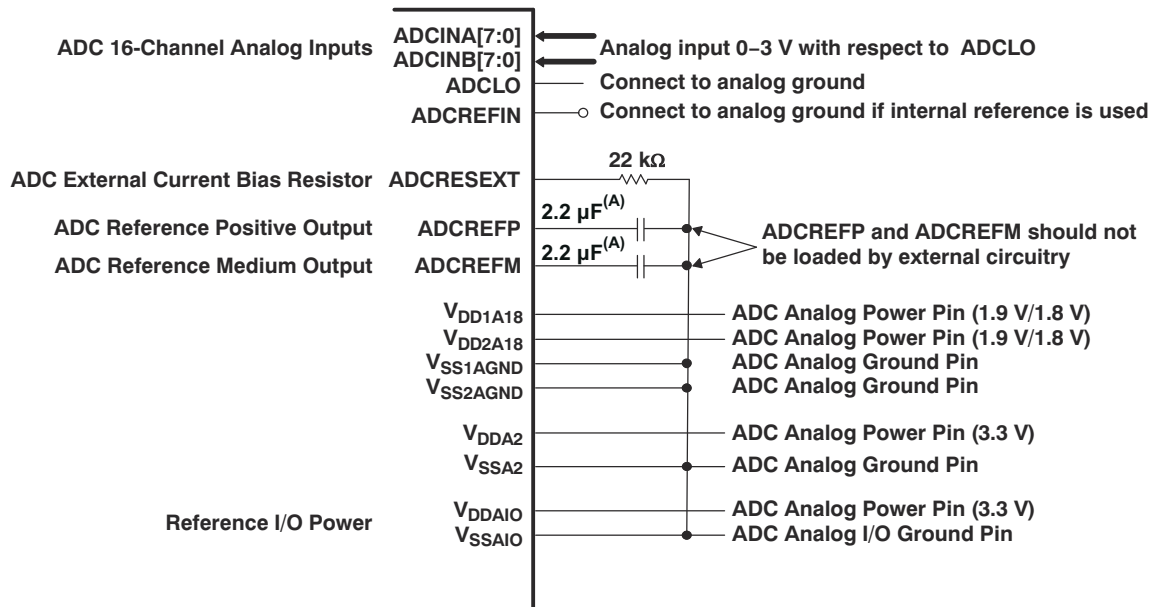
Figure 8-8. Block Diagram of the ADC Module

To obtain the specified accuracy of the ADC, proper board layout is very critical. To the best extent possible, traces leading to the ADCIN pins should not run in close proximity to the digital signal paths. This is to minimize switching noise on the digital lines from getting coupled to the ADC inputs. Furthermore, proper isolation techniques must be used to isolate the ADC module power pins (V_{DD1A18} , V_{DD2A18} , V_{DDA2} , V_{DDA10}) from the digital supply. Figure 8-9 shows the ADC pin connections for the devices.

Note

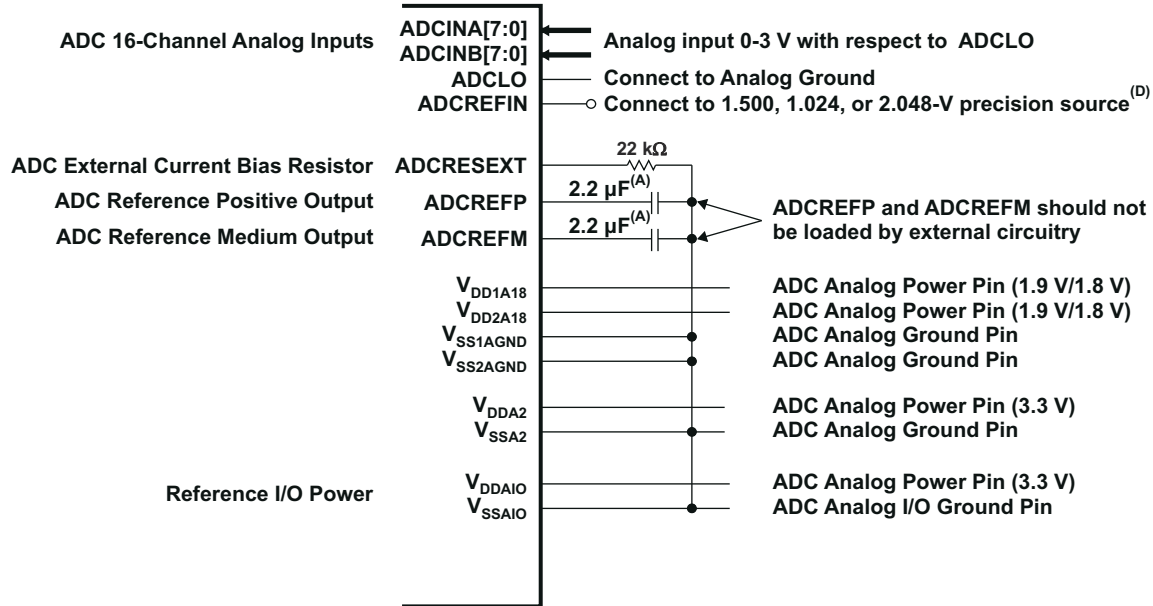
1. The ADC registers are accessed at the SYSCLKOUT rate. The internal timing of the ADC module is controlled by the high-speed peripheral clock (HSPCLK).
2. The behavior of the ADC module based on the state of the ADCENCLK and HALT signals is as follows:
 - **ADCENCLK:** On reset, this signal will be low. While reset is active-low (\overline{XRS}) the clock to the register will still function. This is necessary to make sure all registers and modes go into their default reset state. The analog module, however, will be in a low-power inactive state. As soon as reset goes high, then the clock to the registers will be disabled. When the user sets the ADCENCLK signal high, then the clocks to the registers will be enabled and the analog module will be enabled. There will be a certain time delay (ms range) before the ADC is stable and can be used.
 - **HALT:** This mode only affects the analog module. It does not affect the registers. In this mode, the ADC module goes into low-power mode. This mode also will stop the clock to the CPU, which will stop the HSPCLK; therefore, the ADC register logic will be turned off indirectly.

Figure 8-9 shows the ADC pin-biasing for internal reference and Figure 8-10 shows the ADC pin-biasing for external reference.



- A. TAIYO YUDEN LMK212BJ225MG-T or equivalent
- B. External decoupling capacitors are recommended on all power pins.
- C. Analog inputs must be driven from an operational amplifier that does not degrade the ADC performance.

Figure 8-9. ADC Pin Connections With Internal Reference



- A. TAIYO YUDEN LMK212BJ225MG-T or equivalent
- B. External decoupling capacitors are recommended on all power pins.
- C. Analog inputs must be driven from an operational amplifier that does not degrade the ADC performance.
- D. External voltage on ADCREFIN is enabled by changing bits 15:14 in the ADC Reference Select register depending on the voltage used on this pin. TI recommends TI part REF3020 or equivalent for 2.048-V generation. Overall gain accuracy will be determined by accuracy of this voltage source.

Figure 8-10. ADC Pin Connections With External Reference

Note

The temperature rating of any recommended component must match the rating of the end product.

8.2.7.1 ADC Connections if the ADC Is Not Used

It is recommended to keep the connections for the analog power pins, even if the ADC is not used. Following is a summary of how the ADC pins should be connected, if the ADC is not used in an application:

- V_{DD1A18}/V_{DD2A18} – Connect to V_{DD}
- V_{DDA2} , V_{DDAIO} – Connect to V_{DDIO}
- $V_{SS1AGND}/V_{SS2AGND}$, V_{SSA2} , V_{SSAIO} – Connect to V_{SS}
- ADCLO – Connect to V_{SS}
- ADCREFIN – Connect to V_{SS}
- ADCREFP/ADCREFM – Connect a 100-nF cap to V_{SS}
- ADCRESEXT – Connect a 20-k Ω resistor (very loose tolerance) to V_{SS} .
- ADCINAn, ADCINBn – Connect to V_{SS}

When the ADC is not used, be sure that the clock to the ADC module is not turned on to realize power savings.

When the ADC module is used in an application, unused ADC input pins should be connected to analog ground ($V_{SS1AGND}/V_{SS2AGND}$)

Note

ADC parameters for gain error and offset error are specified only if the ADC calibration routine is executed from the Boot ROM. See [Section 8.2.7.3](#) for more information.

8.2.7.2 ADC Registers

The ADC operation is configured, controlled, and monitored by the registers listed in [Table 8-8](#).

Table 8-8. ADC Registers ⁽¹⁾

NAME	ADDRESS ⁽¹⁾	ADDRESS ⁽²⁾	SIZE (x16)	DESCRIPTION
ADCTRL1	0x7100		1	ADC Control Register 1
ADCTRL2	0x7101		1	ADC Control Register 2
ADCMAXCONV	0x7102		1	ADC Maximum Conversion Channels Register
ADCCHSELSEQ1	0x7103		1	ADC Channel Select Sequencing Control Register 1
ADCCHSELSEQ2	0x7104		1	ADC Channel Select Sequencing Control Register 2
ADCCHSELSEQ3	0x7105		1	ADC Channel Select Sequencing Control Register 3
ADCCHSELSEQ4	0x7106		1	ADC Channel Select Sequencing Control Register 4
ADCASEQSR	0x7107		1	ADC Auto-Sequence Status Register
ADCRESULT0	0x7108	0x0B00	1	ADC Conversion Result Buffer Register 0
ADCRESULT1	0x7109	0x0B01	1	ADC Conversion Result Buffer Register 1
ADCRESULT2	0x710A	0x0B02	1	ADC Conversion Result Buffer Register 2
ADCRESULT3	0x710B	0x0B03	1	ADC Conversion Result Buffer Register 3
ADCRESULT4	0x710C	0x0B04	1	ADC Conversion Result Buffer Register 4
ADCRESULT5	0x710D	0x0B05	1	ADC Conversion Result Buffer Register 5
ADCRESULT6	0x710E	0x0B06	1	ADC Conversion Result Buffer Register 6
ADCRESULT7	0x710F	0x0B07	1	ADC Conversion Result Buffer Register 7
ADCRESULT8	0x7110	0x0B08	1	ADC Conversion Result Buffer Register 8
ADCRESULT9	0x7111	0x0B09	1	ADC Conversion Result Buffer Register 9
ADCRESULT10	0x7112	0x0B0A	1	ADC Conversion Result Buffer Register 10
ADCRESULT11	0x7113	0x0B0B	1	ADC Conversion Result Buffer Register 11
ADCRESULT12	0x7114	0x0B0C	1	ADC Conversion Result Buffer Register 12
ADCRESULT13	0x7115	0x0B0D	1	ADC Conversion Result Buffer Register 13
ADCRESULT14	0x7116	0x0B0E	1	ADC Conversion Result Buffer Register 14
ADCRESULT15	0x7117	0x0B0F	1	ADC Conversion Result Buffer Register 15
ADCTRL3	0x7118		1	ADC Control Register 3
ADCST	0x7119		1	ADC Status Register
Reserved	0x711A – 0x711B		2	
ADCREFSSEL	0x711C		1	ADC Reference Select Register
ADCOFFTRIM	0x711D		1	ADC Offset Trim Register
Reserved	0x711E – 0x711F		2	

(1) The registers in this column are Peripheral Frame 2 Registers.

(2) The ADC result registers are dual mapped. Locations in Peripheral Frame 2 (0x7108–0x7117) are 2 wait-states and left justified. Locations in Peripheral frame 0 space (0x0B00–0x0B0F) are 1 wait-state for CPU accesses and 0 wait state for DMA accesses and right justified. During high speed/continuous conversion use of the ADC, use the 0 wait-state locations for fast transfer of ADC results to user memory.

8.2.7.3 ADC Calibration

The ADC_cal() routine is programmed into TI reserved OTP memory by the factory. The boot ROM automatically calls the ADC_cal() routine to initialize the ADCREFSEL and ADCOFFTRIM registers with device specific calibration data. During normal operation, this process occurs automatically and no action is required by the user.

If the boot ROM is bypassed by Code Composer Studio during the development process, then ADCREFSEL and ADCOFFTRIM must be initialized by the application. Methods for calling the ADC_cal() routine from an application are described in the [TMS320x2833x, F2823x Analog-to-Digital Converter \(ADC\) module reference guide](#).

CAUTION

FAILURE TO INITIALIZE THESE REGISTERS WILL CAUSE THE ADC TO FUNCTION OUT OF SPECIFICATION.

If the system is reset or the ADC module is reset using Bit 14 (RESET) from the ADC Control Register 1, the routine must be repeated.

8.2.8 Multichannel Buffered Serial Port (McBSP) Module

The McBSP module has the following features:

- Compatible to McBSP in TMS320C54x/TMS320C55x DSP devices
- Full-duplex communication
- Double-buffered data registers that allow a continuous data stream
- Independent framing and clocking for receive and transmit
- External shift clock generation or an internal programmable frequency shift clock
- A wide selection of data sizes including 8, 12, 16, 20, 24, or 32 bits
- 8-bit data transfers with LSB or MSB first
- Programmable polarity for both frame synchronization and data clocks
- Highly programmable internal clock and frame generation
- Direct interface to industry-standard CODECs, Analog Interface Chips (AICs), and other serially connected A/D and D/A devices
- Works with SPI-compatible devices
- The following application interfaces can be supported on the McBSP:
 - T1/E1 framers
 - IOM-2 compliant devices
 - AC97-compliant devices (the necessary multiphase frame synchronization capability is provided.)
 - IIS-compliant devices
 - SPI
- McBSP clock rate,

$$CLKG = \frac{CLKSRG}{(1 + CLKGDV)}$$

where CLKSRG source could be LSPCLK, CLKX, or CLKR. Serial port performance is limited by I/O buffer switching speed. Internal prescalers must be adjusted such that the peripheral speed is less than the I/O buffer speed limit.

Note

See [Section 7](#) for maximum I/O pin toggling speed.

Figure 8-11 shows the block diagram of the McBSP module.

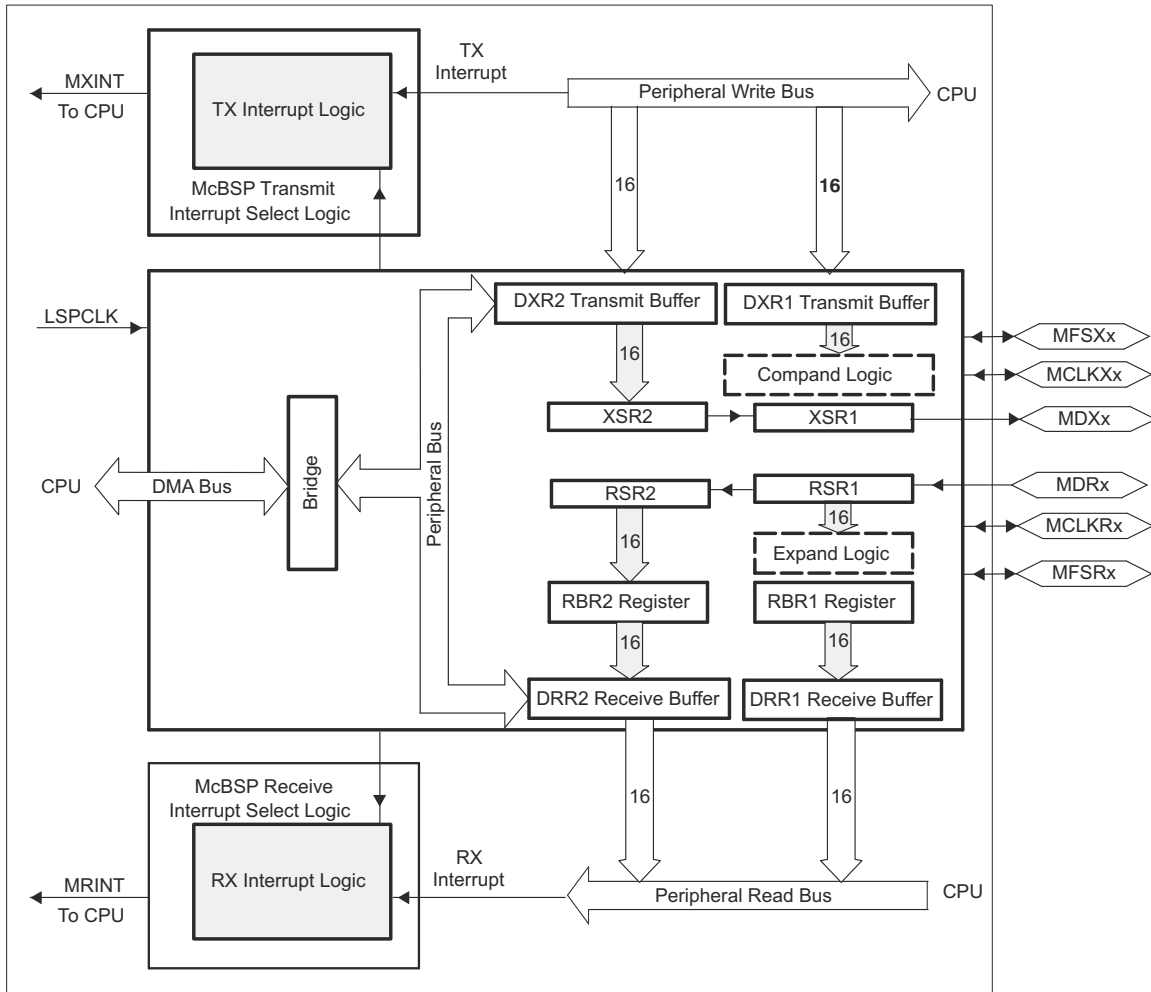


Figure 8-11. McBSP Module

Table 8-9 provides a summary of the McBSP registers.

Table 8-9. McBSP Register Summary

NAME	McBSP-A ADDRESS	McBSP-B ADDRESS	TYPE	RESET VALUE	DESCRIPTION
Data Registers, Receive, Transmit					
DRR2	0x5000	0x5040	R	0x0000	McBSP Data Receive Register 2
DRR1	0x5001	0x5041	R	0x0000	McBSP Data Receive Register 1
DXR2	0x5002	0x5042	W	0x0000	McBSP Data Transmit Register 2
DXR1	0x5003	0x5043	W	0x0000	McBSP Data Transmit Register 1
McBSP Control Registers					
SPCR2	0x5004	0x5044	R/W	0x0000	McBSP Serial Port Control Register 2
SPCR1	0x5005	0x5045	R/W	0x0000	McBSP Serial Port Control Register 1
RCR2	0x5006	0x5046	R/W	0x0000	McBSP Receive Control Register 2
RCR1	0x5007	0x5047	R/W	0x0000	McBSP Receive Control Register 1
XCR2	0x5008	0x5048	R/W	0x0000	McBSP Transmit Control Register 2
XCR1	0x5009	0x5049	R/W	0x0000	McBSP Transmit Control Register 1
SRGR2	0x500A	0x504A	R/W	0x0000	McBSP Sample Rate Generator Register 2
SRGR1	0x500B	0x504B	R/W	0x0000	McBSP Sample Rate Generator Register 1
Multichannel Control Registers					
MCR2	0x500C	0x504C	R/W	0x0000	McBSP Multichannel Register 2
MCR1	0x500D	0x504D	R/W	0x0000	McBSP Multichannel Register 1
RCERA	0x500E	0x504E	R/W	0x0000	McBSP Receive Channel Enable Register Partition A
RCERB	0x500F	0x504F	R/W	0x0000	McBSP Receive Channel Enable Register Partition B
XCERA	0x5010	0x5050	R/W	0x0000	McBSP Transmit Channel Enable Register Partition A
XCERB	0x5011	0x5051	R/W	0x0000	McBSP Transmit Channel Enable Register Partition B
PCR	0x5012	0x5052	R/W	0x0000	McBSP Pin Control Register
RCERC	0x5013	0x5053	R/W	0x0000	McBSP Receive Channel Enable Register Partition C
RCERD	0x5014	0x5054	R/W	0x0000	McBSP Receive Channel Enable Register Partition D
XCERC	0x5015	0x5055	R/W	0x0000	McBSP Transmit Channel Enable Register Partition C
XCERD	0x5016	0x5056	R/W	0x0000	McBSP Transmit Channel Enable Register Partition D
RCERE	0x5017	0x5057	R/W	0x0000	McBSP Receive Channel Enable Register Partition E
RCERF	0x5018	0x5058	R/W	0x0000	McBSP Receive Channel Enable Register Partition F
XCERE	0x5019	0x5059	R/W	0x0000	McBSP Transmit Channel Enable Register Partition E
XCERF	0x501A	0x505A	R/W	0x0000	McBSP Transmit Channel Enable Register Partition F
RCERG	0x501B	0x505B	R/W	0x0000	McBSP Receive Channel Enable Register Partition G
RCERH	0x501C	0x505C	R/W	0x0000	McBSP Receive Channel Enable Register Partition H
XCERG	0x501D	0x505D	R/W	0x0000	McBSP Transmit Channel Enable Register Partition G
XCERH	0x501E	0x505E	R/W	0x0000	McBSP Transmit Channel Enable Register Partition H
MFFINT	0x5023	0x5063	R/W	0x0000	McBSP Interrupt Enable Register

8.2.9 Enhanced Controller Area Network (eCAN) Modules (eCAN-A and eCAN-B)

The CAN module has the following features:

- Fully compliant with ISO 11898-1 (CAN 2.0B)
- Supports data rates up to 1 Mbps
- Thirty-two mailboxes, each with the following properties:
 - Configurable as receive or transmit
 - Configurable with standard or extended identifier
 - Has a programmable receive mask
 - Supports data and remote frame
 - Composed of 0 to 8 bytes of data
 - Uses a 32-bit timestamp on receive and transmit message
 - Protects against reception of new message
 - Holds the dynamically programmable priority of transmit message
 - Employs a programmable interrupt scheme with two interrupt levels
 - Employs a programmable alarm on transmission or reception time-out
- Low-power mode
- Programmable wake-up on bus activity
- Automatic reply to a remote request message
- Automatic retransmission of a frame in case of loss of arbitration or error
- 32-bit local network time counter synchronized by a specific message (communication in conjunction with mailbox 16)
- Self-test mode
 - Operates in a loopback mode receiving its own message. A "dummy" acknowledge is provided, thereby eliminating the need for another node to provide the acknowledge bit.

Note

For a SYSCLKOUT of 100 MHz, the smallest bit rate possible is 7.812 kbps.

For a SYSCLKOUT of 150 MHz, the smallest bit rate possible is 11.719 kbps.

The F2833x/F2823x CAN has passed the conformance test per ISO/DIS 16845. Contact TI for test report and exceptions.

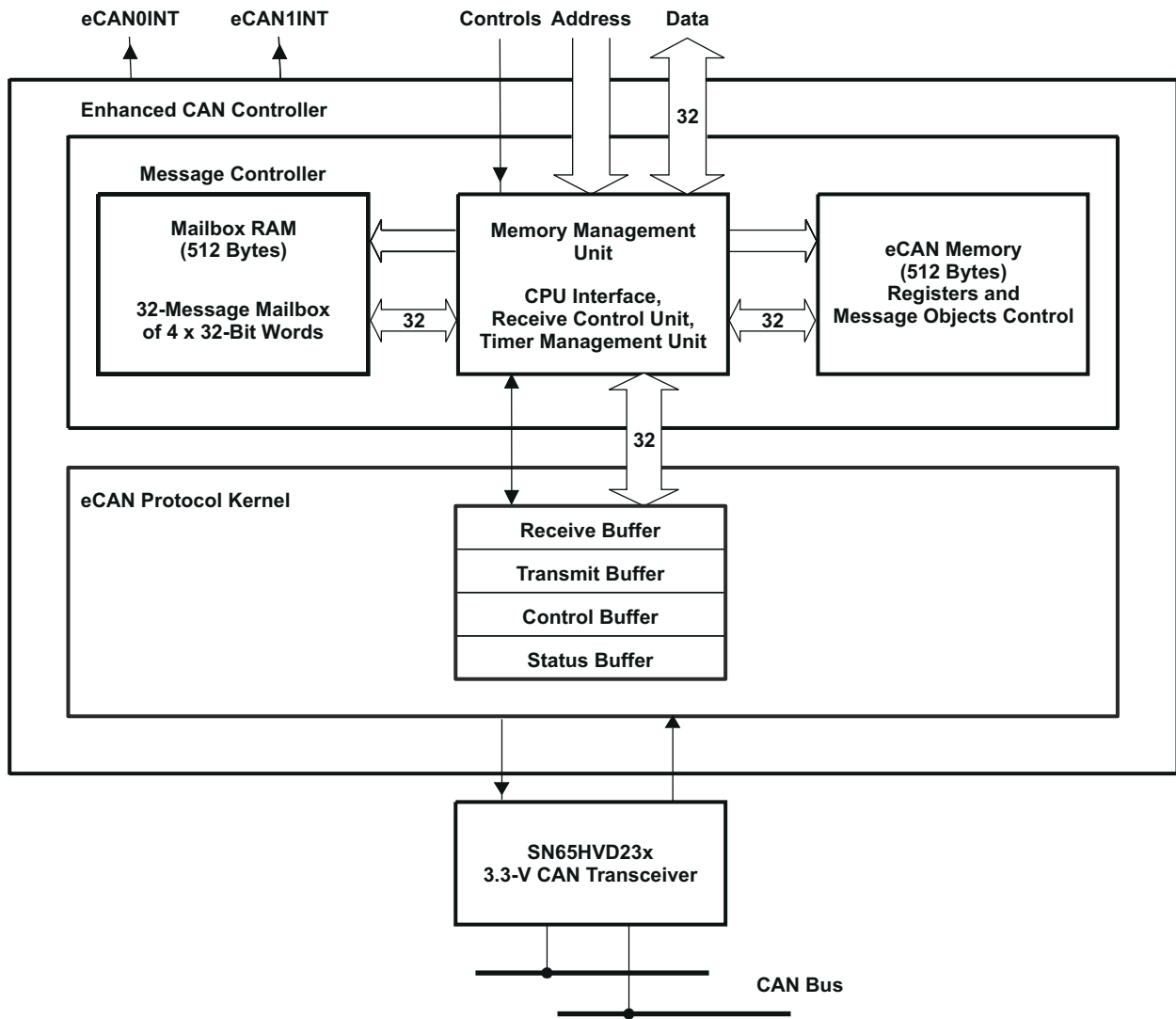


Figure 8-12. eCAN Block Diagram and Interface Circuit

Table 8-10. 3.3-V eCAN Transceivers

PART NUMBER	SUPPLY VOLTAGE	LOW-POWER MODE	SLOPE CONTROL	VREF	OTHER	T _A
SN65HVD230	3.3 V	Standby	Adjustable	Yes	–	–40°C to 85°C
SN65HVD230Q	3.3 V	Standby	Adjustable	Yes	–	–40°C to 125°C
SN65HVD231	3.3 V	Sleep	Adjustable	Yes	–	–40°C to 85°C
SN65HVD231Q	3.3 V	Sleep	Adjustable	Yes	–	–40°C to 125°C
SN65HVD232	3.3 V	None	None	None	–	–40°C to 85°C
SN65HVD232Q	3.3 V	None	None	None	–	–40°C to 125°C
SN65HVD233	3.3 V	Standby	Adjustable	None	Diagnostic Loopback	–40°C to 125°C
SN65HVD234	3.3 V	Standby and Sleep	Adjustable	None	–	–40°C to 125°C
SN65HVD235	3.3 V	Standby	Adjustable	None	Autobaud Loopback	–40°C to 125°C

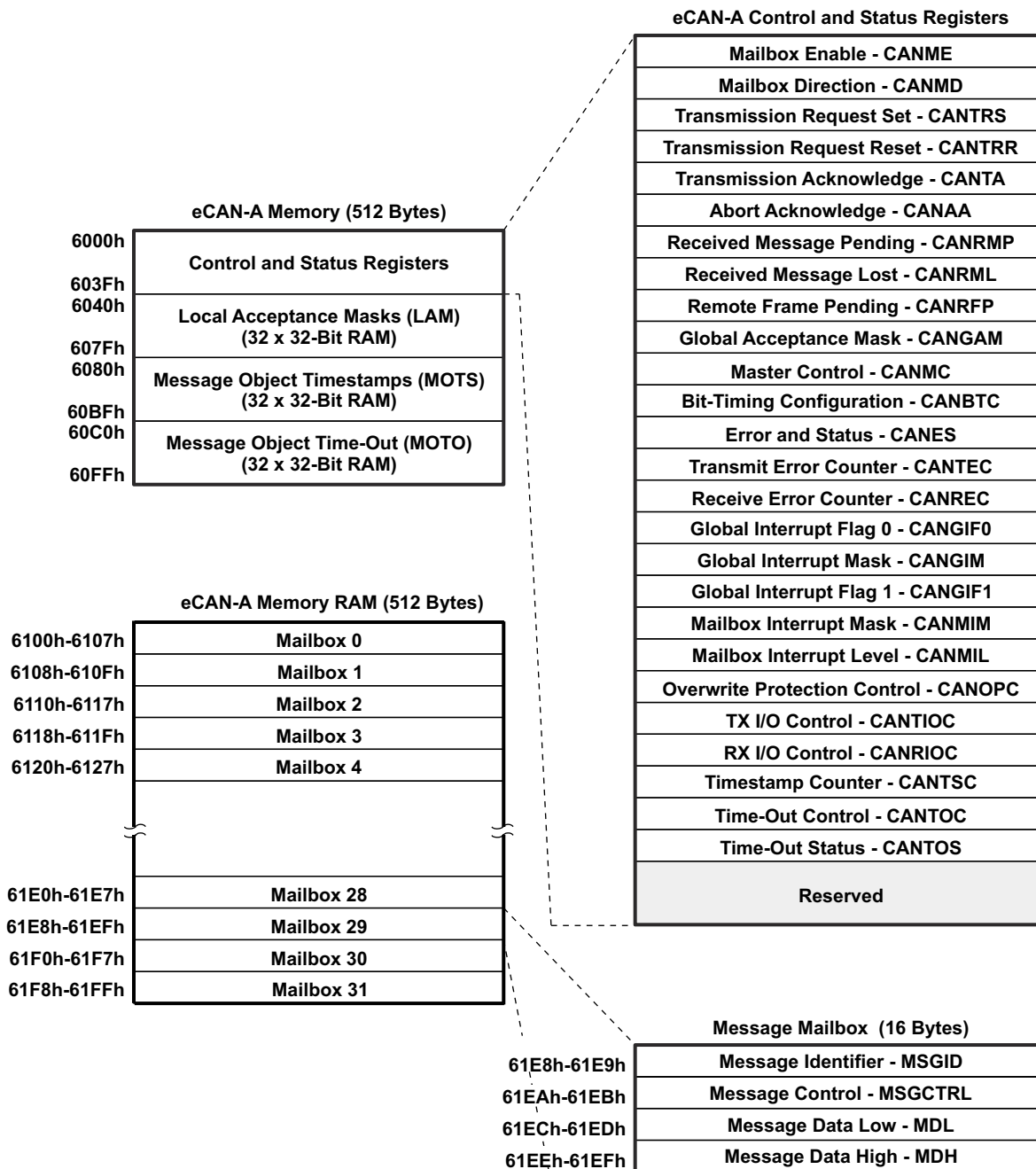


Figure 8-13. eCAN-A Memory Map

Note

If the eCAN module is not used in an application, the RAM available (LAM, MOTS, MOTO, and mailbox RAM) can be used as general-purpose RAM. The CAN module clock should be enabled for this.

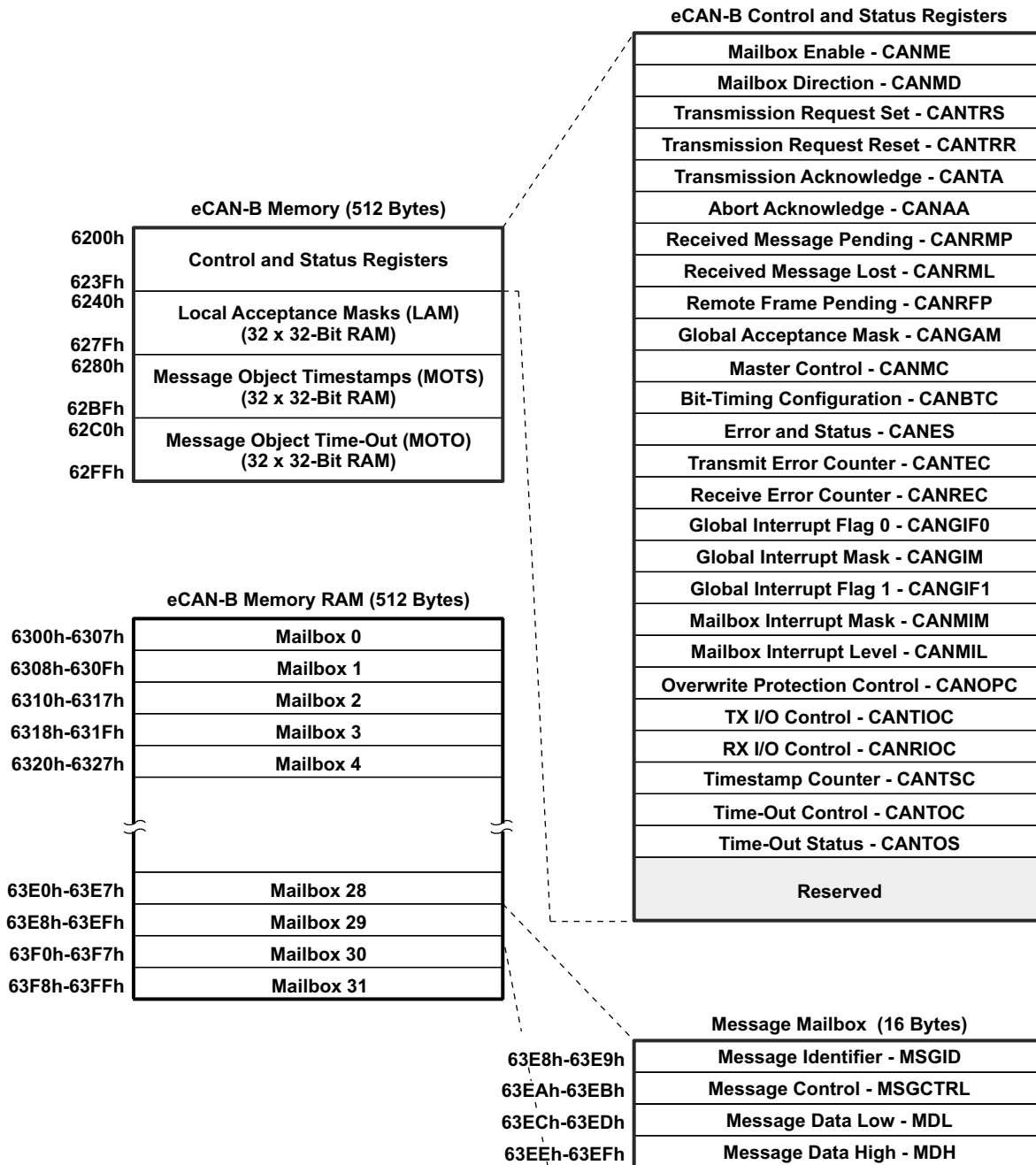


Figure 8-14. eCAN-B Memory Map

The CAN registers listed in [Table 8-11](#) are used by the CPU to configure and control the CAN controller and the message objects. eCAN control registers only support 32-bit read/write operations. Mailbox RAM can be accessed as 16 bits or 32 bits. Thirty-two-bit accesses are aligned to an even boundary.

Table 8-11. CAN Register Map ⁽¹⁾

REGISTER NAME	eCAN-A ADDRESS	eCAN-B ADDRESS	SIZE (x32)	DESCRIPTION
CANME	0x6000	0x6200	1	Mailbox enable
CANMD	0x6002	0x6202	1	Mailbox direction
CANTRS	0x6004	0x6204	1	Transmit request set
CANTRR	0x6006	0x6206	1	Transmit request reset
CANTA	0x6008	0x6208	1	Transmission acknowledge
CANAA	0x600A	0x620A	1	Abort acknowledge
CANRMP	0x600C	0x620C	1	Receive message pending
CANRML	0x600E	0x620E	1	Receive message lost
CANRFP	0x6010	0x6210	1	Remote frame pending
CANGAM	0x6012	0x6212	1	Global acceptance mask
CANMC	0x6014	0x6214	1	Master control
CANBTC	0x6016	0x6216	1	Bit-timing configuration
CANES	0x6018	0x6218	1	Error and status
CANTEC	0x601A	0x621A	1	Transmit error counter
CANREC	0x601C	0x621C	1	Receive error counter
CANGIF0	0x601E	0x621E	1	Global interrupt flag 0
CANGIM	0x6020	0x6220	1	Global interrupt mask
CANGIF1	0x6022	0x6222	1	Global interrupt flag 1
CANMIM	0x6024	0x6224	1	Mailbox interrupt mask
CANMIL	0x6026	0x6226	1	Mailbox interrupt level
CANOPC	0x6028	0x6228	1	Overwrite protection control
CANTIOC	0x602A	0x622A	1	TX I/O control
CANRIOC	0x602C	0x622C	1	RX I/O control
CANTSC	0x602E	0x622E	1	Timestamp counter (Reserved in SCC mode)
CANTOC	0x6030	0x6230	1	Time-out control (Reserved in SCC mode)
CANTOS	0x6032	0x6232	1	Time-out status (Reserved in SCC mode)

(1) These registers are mapped to Peripheral Frame 1.

8.2.10 Serial Communications Interface (SCI) Modules (SCI-A, SCI-B, SCI-C)

The devices include three serial communications interface (SCI) modules. The SCI modules support digital communications between the CPU and other asynchronous peripherals that use the standard nonreturn-to-zero (NRZ) format. The SCI receiver and transmitter are double-buffered, and each has its own separate enable and interrupt bits. Both can be operated independently or simultaneously in the full-duplex mode. To ensure data integrity, the SCI checks received data for break detection, parity, overrun, and framing errors. The bit rate is programmable to more than 65000 different speeds through a 16-bit baud-select register.

Features of each SCI module include:

- Two external pins:
 - SCITXD: SCI transmit-output pin
 - SCIRXD: SCI receive-input pin

Note

Both pins can be used as GPIO if not used for SCI.

- Baud rate programmable to 64K different rates:

$$\text{Baud rate} = \frac{\text{LSPCLK}}{(\text{BRR} + 1) * 8} \quad \text{when BRR} \neq 0$$

$$\text{Baud rate} = \frac{\text{LSPCLK}}{16} \quad \text{when BRR} = 0$$

Note

See [Section 7](#) for maximum I/O pin toggling speed.

- Data-word format
 - One start bit
 - Data-word length programmable from one to eight bits
 - Optional even/odd/no parity bit
 - One or two stop bits
- Four error-detection flags: parity, overrun, framing, and break detection
- Two wake-up multiprocessor modes: idle-line and address bit
- Half- or full-duplex operation
- Double-buffered receive and transmit functions
- Transmitter and receiver operations can be accomplished through interrupt-driven or polled algorithms with status flags.
 - Transmitter: TXRDY flag (transmitter-buffer register is ready to receive another character) and TX EMPTY flag (transmitter-shift register is empty)
 - Receiver: RXRDY flag (receiver-buffer register is ready to receive another character), BRKDT flag (break condition occurred), and RX ERROR flag (monitoring four interrupt conditions)
- Separate enable bits for transmitter and receiver interrupts (except BRKDT)
- NRZ (nonreturn-to-zero) format

Note

All registers in this module are 8-bit registers that are connected to Peripheral Frame 2. When a register is accessed, the register data is in the lower byte (7-0), and the upper byte (15-8) is read as zeros. Writing to the upper byte has no effect.

Enhanced features:

- Auto baud-detect hardware logic
- 16-level transmit/receive FIFO

The SCI port operation is configured and controlled by the registers listed in [Table 8-12](#), [Table 8-13](#), and [Table 8-14](#).

Table 8-12. SCI-A Registers ⁽¹⁾

NAME	ADDRESS	SIZE (x16)	DESCRIPTION
SCICCRA	0x7050	1	SCI-A Communications Control Register
SCICTL1A	0x7051	1	SCI-A Control Register 1
SCIHBAUDA	0x7052	1	SCI-A Baud Register, High Bits
SCILBAUDA	0x7053	1	SCI-A Baud Register, Low Bits
SCICTL2A	0x7054	1	SCI-A Control Register 2
SCIRXSTA	0x7055	1	SCI-A Receive Status Register
SCIRXEMUA	0x7056	1	SCI-A Receive Emulation Data Buffer Register
SCIRXBUFA	0x7057	1	SCI-A Receive Data Buffer Register
SCITXBUFA	0x7059	1	SCI-A Transmit Data Buffer Register
SCIFFTXA ⁽²⁾	0x705A	1	SCI-A FIFO Transmit Register
SCIFFRXA ⁽²⁾	0x705B	1	SCI-A FIFO Receive Register
SCIFFCTA ⁽²⁾	0x705C	1	SCI-A FIFO Control Register
SCIPRIA	0x705F	1	SCI-A Priority Control Register

- (1) Registers in this table are mapped to Peripheral Frame 2 space. This space only allows 16-bit accesses. 32-bit accesses produce undefined results.
- (2) These registers are new registers for the FIFO mode.

Table 8-13. SCI-B Registers ⁽¹⁾ ⁽²⁾

NAME	ADDRESS	SIZE (x16)	DESCRIPTION
SCICCRB	0x7750	1	SCI-B Communications Control Register
SCICTL1B	0x7751	1	SCI-B Control Register 1
SCIHBAUDB	0x7752	1	SCI-B Baud Register, High Bits
SCILBAUDB	0x7753	1	SCI-B Baud Register, Low Bits
SCICTL2B	0x7754	1	SCI-B Control Register 2
SCIRXSTB	0x7755	1	SCI-B Receive Status Register
SCIRXEMUB	0x7756	1	SCI-B Receive Emulation Data Buffer Register
SCIRXBUFB	0x7757	1	SCI-B Receive Data Buffer Register
SCITXBUFB	0x7759	1	SCI-B Transmit Data Buffer Register
SCIFFTXB ⁽²⁾	0x775A	1	SCI-B FIFO Transmit Register
SCIFFRXB ⁽²⁾	0x775B	1	SCI-B FIFO Receive Register
SCIFFCTB ⁽²⁾	0x775C	1	SCI-B FIFO Control Register
SCIPRIB	0x775F	1	SCI-B Priority Control Register

- (1) Registers in this table are mapped to Peripheral Frame 2 space. This space only allows 16-bit accesses. 32-bit accesses produce undefined results.
- (2) These registers are new registers for the FIFO mode.

Table 8-14. SCI-C Registers (1) (2)

NAME	ADDRESS	SIZE (x16)	DESCRIPTION
SCICCRC	0x7770	1	SCI-C Communications Control Register
SCICTL1C	0x7771	1	SCI-C Control Register 1
SCIHBAUDC	0x7772	1	SCI-C Baud Register, High Bits
SCILBAUDC	0x7773	1	SCI-C Baud Register, Low Bits
SCICTL2C	0x7774	1	SCI-C Control Register 2
SCIRXSTC	0x7775	1	SCI-C Receive Status Register
SCIRXEMUC	0x7776	1	SCI-C Receive Emulation Data Buffer Register
SCIRXBUFC	0x7777	1	SCI-C Receive Data Buffer Register
SCITXBUFC	0x7779	1	SCI-C Transmit Data Buffer Register
SCIFFTXC ⁽²⁾	0x777A	1	SCI-C FIFO Transmit Register
SCIFFRXC ⁽²⁾	0x777B	1	SCI-C FIFO Receive Register
SCIFFCTC ⁽²⁾	0x777C	1	SCI-C FIFO Control Register
SCIPRC	0x777F	1	SCI-C Priority Control Register

Figure 8-15 shows the SCI module block diagram.

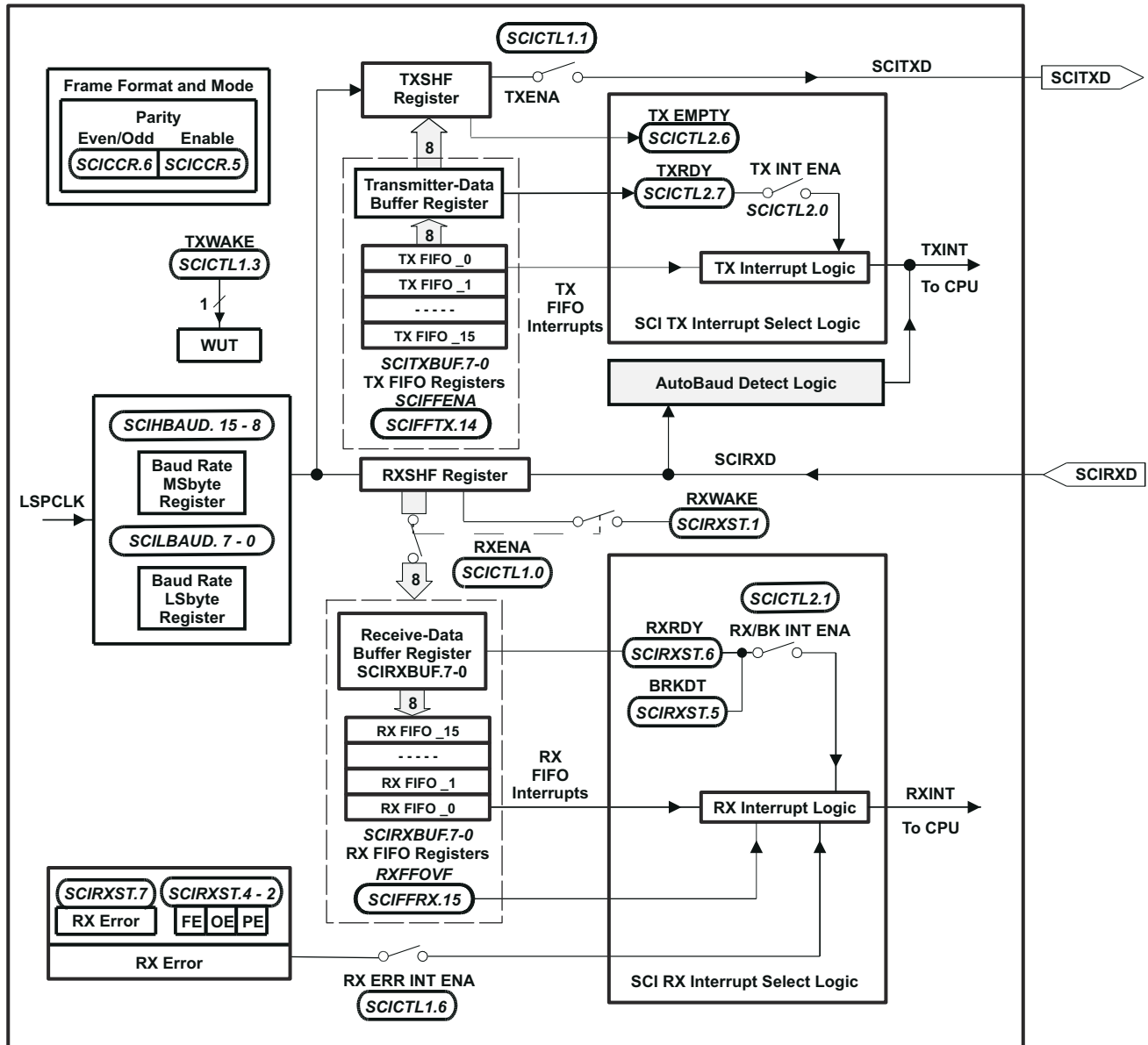


Figure 8-15. Serial Communications Interface (SCI) Module Block Diagram

8.2.11 Serial Peripheral Interface (SPI) Module (SPI-A)

The device includes the four-pin serial peripheral interface (SPI) module. One SPI module (SPI-A) is available. The SPI is a high-speed, synchronous serial I/O port that allows a serial bit stream of programmed length (1 to 16 bits) to be shifted into and out of the device at a programmable bit-transfer rate. Normally, the SPI is used for communications between the DSC controller and external peripherals or another processor. Typical applications include external I/O or peripheral expansion through devices such as shift registers, display drivers, and ADCs. Multidevice communications are supported by the master/slave operation of the SPI.

The SPI module features include:

- Four external pins:
 - SPISOMI: SPI slave-output/master-input pin
 - SPISIMO: SPI slave-input/master-output pin
 - $\overline{\text{SPISTE}}$: SPI slave transmit-enable pin
 - SPICLK: SPI serial-clock pin

Note

All four pins can be used as GPIO if the SPI module is not used.

- Two operational modes: master and slave

Baud rate: 125 different programmable rates.

$$\text{Baud rate} = \frac{\text{LSPCLK}}{(\text{SPIBRR} + 1)} \quad \text{when SPIBRR} = 3 \text{ to } 127$$

$$\text{Baud rate} = \frac{\text{LSPCLK}}{4} \quad \text{when SPIBRR} = 0, 1, 2$$

Note

See [Section 7](#) for maximum I/O pin toggling speed.

- Data word length: 1 to 16 data bits
- Four clocking schemes (controlled by clock polarity and clock phase bits) include:
 - Falling edge without phase delay: SPICLK active-high. SPI transmits data on the falling edge of the SPICLK signal and receives data on the rising edge of the SPICLK signal.
 - Falling edge with phase delay: SPICLK active-high. SPI transmits data one half-cycle ahead of the falling edge of the SPICLK signal and receives data on the falling edge of the SPICLK signal.
 - Rising edge without phase delay: SPICLK inactive-low. SPI transmits data on the rising edge of the SPICLK signal and receives data on the falling edge of the SPICLK signal.
 - Rising edge with phase delay: SPICLK inactive-low. SPI transmits data one half-cycle ahead of the rising edge of the SPICLK signal and receives data on the rising edge of the SPICLK signal.
- Simultaneous receive and transmit operation (transmit function can be disabled in software)
- Transmitter and receiver operations are accomplished through either interrupt-driven or polled algorithms.
- Nine SPI module control registers: Located in control register frame beginning at address 7040h.

Note

All registers in this module are 16-bit registers that are connected to Peripheral Frame 2. When a register is accessed, the register data is in the lower byte (7–0), and the upper byte (15–8) is read as zeros. Writing to the upper byte has no effect.

Enhanced features:

- 16-level transmit/receive FIFO
- Delayed transmit control

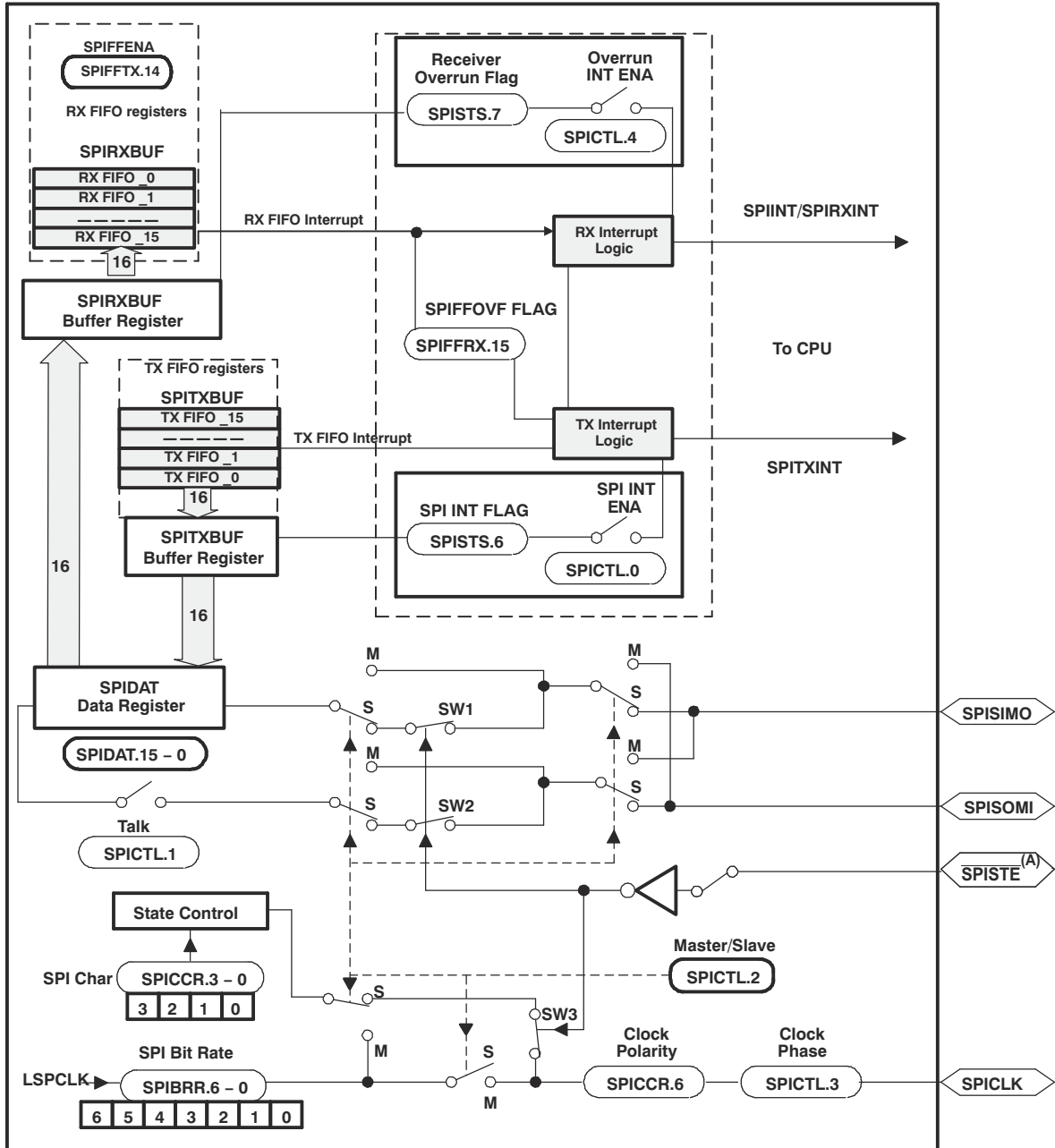
The SPI port operation is configured and controlled by the registers listed in [Table 8-15](#) .

Table 8-15. SPI-A Registers

NAME	ADDRESS	SIZE (x16)	DESCRIPTION ⁽¹⁾
SPICCR	0x7040	1	SPI-A Configuration Control Register
SPICTL	0x7041	1	SPI-A Operation Control Register
SPISTS	0x7042	1	SPI-A Status Register
SPIBRR	0x7044	1	SPI-A Baud Rate Register
SPIRXEMU	0x7046	1	SPI-A Receive Emulation Buffer Register
SPIRXBUF	0x7047	1	SPI-A Serial Input Buffer Register
SPITXBUF	0x7048	1	SPI-A Serial Output Buffer Register
SPIDAT	0x7049	1	SPI-A Serial Data Register
SPIFFTX	0x704A	1	SPI-A FIFO Transmit Register
SPIFFRX	0x704B	1	SPI-A FIFO Receive Register
SPIFFCT	0x704C	1	SPI-A FIFO Control Register
SPIPRI	0x704F	1	SPI-A Priority Control Register

(1) Registers in this table are mapped to Peripheral Frame 2. This space only allows 16-bit accesses. 32-bit accesses produce undefined results.

[Figure 8-16](#) is a block diagram of the SPI in slave mode.

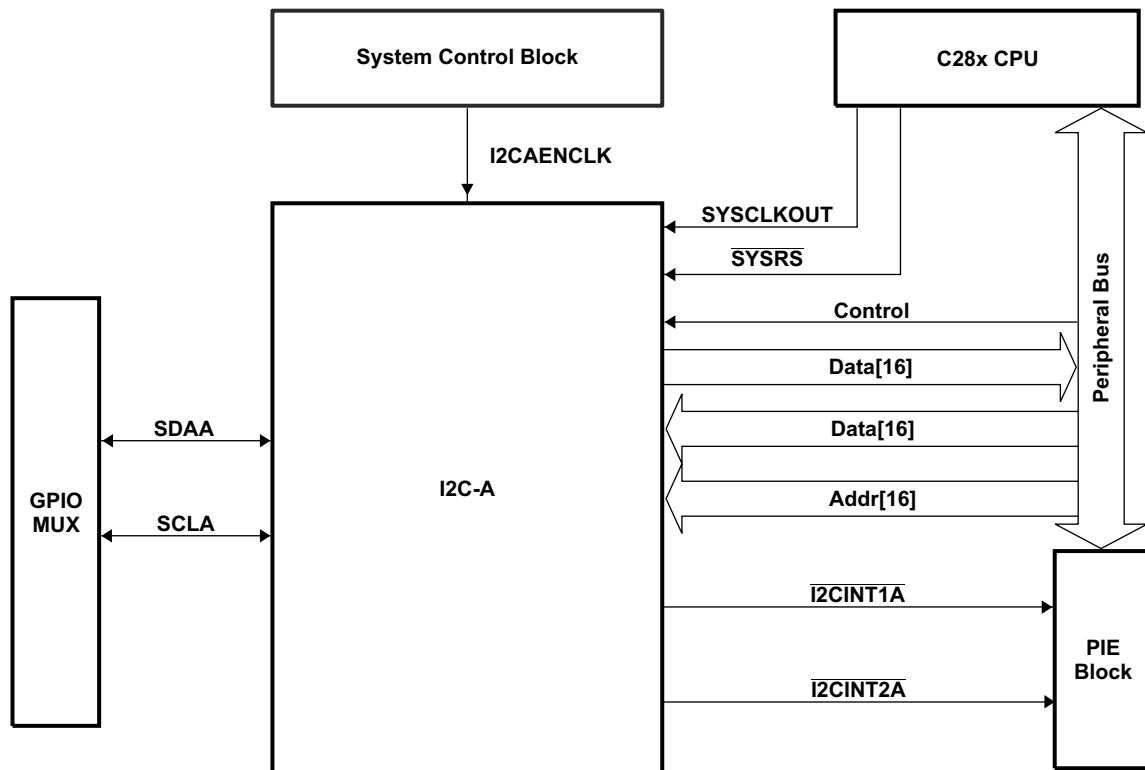


A. $\overline{\text{SPISTE}}$ is driven low by the master for a slave device.

Figure 8-16. SPI Module Block Diagram (Slave Mode)

8.2.12 Inter-Integrated Circuit (I2C)

The device contains one I2C Serial Port. Figure 8-17 shows how the I2C peripheral module interfaces within the device.



- The I2C registers are accessed at the SYSCLKOUT rate. The internal timing and signal waveforms of the I2C port are also at the SYSCLKOUT rate.
- The clock enable bit (I2CAENCLK) in the PCLKCR0 register turns off the clock to the I2C port for low power operation. Upon reset, I2CAENCLK is clear, which indicates the peripheral internal clocks are off.

Figure 8-17. I2C Peripheral Module Interfaces

The I2C module has the following features:

- Compliance with the Philips Semiconductors I²C-bus specification (version 2.1):
 - Support for 1-bit to 8-bit format transfers
 - 7-bit and 10-bit addressing modes
 - General call
 - START byte mode
 - Support for multiple master-transmitters and slave-receivers
 - Support for multiple slave-transmitters and master-receivers
 - Combined master transmit/receive and receive/transmit mode
 - Data transfer rate from 10 kbps up to 400 kbps (I2C Fast-mode rate)
- One 16-word receive FIFO and one 16-word transmit FIFO
- One interrupt that can be used by the CPU. This interrupt can be generated as a result of one of the following conditions:
 - Transmit-data ready
 - Receive-data ready
 - Register-access ready
 - No-acknowledgment received
 - Arbitration lost
 - Stop condition detected
 - Addressed as slave
- An additional interrupt that can be used by the CPU when in FIFO mode
- Module-enable and module-disable capability
- Free data format mode

The registers in [Table 8-16](#) configure and control the I2C port operation.

Table 8-16. I2C-A Registers

NAME	ADDRESS	DESCRIPTION
I2COAR	0x7900	I2C own address register
I2CIER	0x7901	I2C interrupt enable register
I2CSTR	0x7902	I2C status register
I2CCLKL	0x7903	I2C clock low-time divider register
I2CCLKH	0x7904	I2C clock high-time divider register
I2CCNT	0x7905	I2C data count register
I2CDRR	0x7906	I2C data receive register
I2CSAR	0x7907	I2C slave address register
I2CDXR	0x7908	I2C data transmit register
I2CMDR	0x7909	I2C mode register
I2CISRC	0x790A	I2C interrupt source register
I2CPSC	0x790C	I2C prescaler register
I2CFFTX	0x7920	I2C FIFO transmit register
I2CFFRX	0x7921	I2C FIFO receive register
I2CRSR	–	I2C receive shift register (not accessible to the CPU)
I2CXSR	–	I2C transmit shift register (not accessible to the CPU)

8.2.13 GPIO MUX

On the 2833x/2823x devices, the GPIO MUX can multiplex up to three independent peripheral signals on a single GPIO pin in addition to providing individual pin bit-banging I/O capability. The GPIO MUX block diagram per pin is shown in [Figure 8-18](#). Because of the open-drain capabilities of the I2C pins, the GPIO MUX block

C. This is a generic GPIO MUX block diagram. Not all options may be applicable for all GPIO pins. See the [TMS320x2833x, 2823x system control and interrupts reference guide](#) for pin-specific variations.

Figure 8-18. GPIO MUX Block Diagram

The device supports 88 GPIO pins. The GPIO control and data registers are mapped to Peripheral Frame 1 to enable 32-bit operations on the registers (along with 16-bit operations). [Table 8-17](#) shows the GPIO register mapping.

Table 8-17. GPIO Registers

NAME	ADDRESS	SIZE (x16)	DESCRIPTION
GPIO CONTROL REGISTERS (EALLOW PROTECTED)			
GPACTRL	0x6F80	2	GPIO A Control Register (GPIO0 to 31)
GPAQSEL1	0x6F82	2	GPIO A Qualifier Select 1 Register (GPIO0 to 15)
GPAQSEL2	0x6F84	2	GPIO A Qualifier Select 2 Register (GPIO16 to 31)
GPAMUX1	0x6F86	2	GPIO A MUX 1 Register (GPIO0 to 15)
GPAMUX2	0x6F88	2	GPIO A MUX 2 Register (GPIO16 to 31)
GPADIR	0x6F8A	2	GPIO A Direction Register (GPIO0 to 31)
GPAPUD	0x6F8C	2	GPIO A Pullup Disable Register (GPIO0 to 31)
Reserved	0x6F8E – 0x6F8F	2	
GPBCTRL	0x6F90	2	GPIO B Control Register (GPIO32 to 63)
GPBQSEL1	0x6F92	2	GPIO B Qualifier Select 1 Register (GPIO32 to 47)
GPBQSEL2	0x6F94	2	GPIOB Qualifier Select 2 Register (GPIO48 to 63)
GPBMUX1	0x6F96	2	GPIO B MUX 1 Register (GPIO32 to 47)
GPBMUX2	0x6F98	2	GPIO B MUX 2 Register (GPIO48 to 63)
GPBDIR	0x6F9A	2	GPIO B Direction Register (GPIO32 to 63)
GPBPUD	0x6F9C	2	GPIO B Pullup Disable Register (GPIO32 to 63)
Reserved	0x6F9E – 0x6FA5	8	
GPCMUX1	0x6FA6	2	GPIO C MUX1 Register (GPIO64 to 79)
GPCMUX2	0x6FA8	2	GPIO C MUX2 Register (GPIO80 to 87)
GPCDIR	0x6FAA	2	GPIO C Direction Register (GPIO64 to 87)
GPCPUD	0x6FAC	2	GPIO C Pullup Disable Register (GPIO64 to 87)
Reserved	0x6FAE – 0x6FBF	18	
GPIO DATA REGISTERS (NOT EALLOW PROTECTED)			
GPADAT	0x6FC0	2	GPIO A Data Register (GPIO0 to 31)
GPASET	0x6FC2	2	GPIO A Data Set Register (GPIO0 to 31)
GPACLEAR	0x6FC4	2	GPIO A Data Clear Register (GPIO0 to 31)
GPATOGGLE	0x6FC6	2	GPIO A Data Toggle Register (GPIO0 to 31)
GPBDAT	0x6FC8	2	GPIO B Data Register (GPIO32 to 63)
GPBSET	0x6FCA	2	GPIO B Data Set Register (GPIO32 to 63)
GPBCLEAR	0x6FCC	2	GPIO B Data Clear Register (GPIO32 to 63)
GPBTOGGLE	0x6FCE	2	GPIOB Data Toggle Register (GPIO32 to 63)
GPCDAT	0x6FD0	2	GPIO C Data Register (GPIO64 to 87)
GPCSET	0x6FD2	2	GPIO C Data Set Register (GPIO64 to 87)
GPCCLEAR	0x6FD4	2	GPIO C Data Clear Register (GPIO64 to 87)
GPCTOGGLE	0x6FD6	2	GPIO C Data Toggle Register (GPIO64 to 87)
Reserved	0x6FD8 – 0x6FDF	8	
GPIO INTERRUPT AND LOW-POWER MODES SELECT REGISTERS (EALLOW PROTECTED)			
GPIOXINT1SEL	0x6FE0	1	XINT1 GPIO Input Select Register (GPIO0 to 31)
GPIOXINT2SEL	0x6FE1	1	XINT2 GPIO Input Select Register (GPIO0 to 31)

Table 8-17. GPIO Registers (continued)

NAME	ADDRESS	SIZE (x16)	DESCRIPTION
GPIOXNMISEL	0x6FE2	1	XNMI GPIO Input Select Register (GPIO0 to 31)
GPIOXINT3SEL	0x6FE3	1	XINT3 GPIO Input Select Register (GPIO32 to 63)
GPIOXINT4SEL	0x6FE4	1	XINT4 GPIO Input Select Register (GPIO32 to 63)
GPIOXINT5SEL	0x6FE5	1	XINT5 GPIO Input Select Register (GPIO32 to 63)
GPIOXINT6SEL	0x6FE6	1	XINT6 GPIO Input Select Register (GPIO32 to 63)
GPIOINT7SEL	0x6FE7	1	XINT7 GPIO Input Select Register (GPIO32 to 63)
GPIOLPMSSEL	0x6FE8	2	LPM GPIO Select Register (GPIO0 to 31)
Reserved	0x6FEA – 0x6FFF	22	

Table 8-18. GPIO-A Mux Peripheral Selection Matrix

REGISTER BITS		PERIPHERAL SELECTION				
GPADIR GPADAT GPASET GPACLR GPATOGGLE	GPAMUX1 GPAQSEL1	GPIOx GPAMUX1 = 0, 0	PER1 GPAMUX1 = 0, 1	PER2 GPAMUX1 = 1, 0	PER3 GPAMUX1 = 1, 1	
QUALPRD0	0	1, 0	GPIO0 (I/O)	EPWM1A (O)	Reserved	Reserved
	1	3, 2	GPIO1 (I/O)	EPWM1B (O)	ECAP6 (I/O)	MFSRB (I/O)
	2	5, 4	GPIO2 (I/O)	EPWM2A (O)	Reserved	Reserved
	3	7, 6	GPIO3 (I/O)	EPWM2B (O)	ECAP5 (I/O)	MCLKRB (I/O)
	4	9, 8	GPIO4 (I/O)	EPWM3A (O)	Reserved	Reserved
	5	11, 10	GPIO5 (I/O)	EPWM3B (O)	MFSRA (I/O)	ECAP1 (I/O)
	6	13, 12	GPIO6 (I/O)	EPWM4A (O)	EPWMSYNCl (I)	EPWMSYNCO (O)
	7	15, 14	GPIO7 (I/O)	EPWM4B (O)	MCLKRA (I/O)	ECAP2 (I/O)
QUALPRD1	8	17, 16	GPIO8 (I/O)	EPWM5A (O)	CANTXB (O)	ADCSOCAO (O)
	9	19, 18	GPIO9 (I/O)	EPWM5B (O)	SCITXDB (O)	ECAP3 (I/O)
	10	21, 20	GPIO10 (I/O)	EPWM6A (O)	CANRXB (I)	ADCSOCBO (O)
	11	23, 22	GPIO11 (I/O)	EPWM6B (O)	SCIRXDB (I)	ECAP4 (I/O)
	12	25, 24	GPIO12 (I/O)	TZ1 (I)	CANTXB (O)	MDXB (O)
	13	27, 26	GPIO13 (I/O)	TZ2 (I)	CANRXB (I)	MDRB (I)
	14	29, 28	GPIO14 (I/O)	TZ3 (I)/ XHOLD (I)	SCITXDB (O)	MCLKXB (I/O)
	15	31, 30	GPIO15 (I/O)	TZ4 (I)/ XHOLDA (O)	SCIRXDB (I)	MFSXB (I/O)
	GPAMUX2 GPAQSEL2	GPAMUX2 = 0, 0	GPAMUX2 = 0, 1	GPAMUX2 = 1, 0	GPAMUX2 = 1, 1	
QUALPRD2	16	1, 0	GPIO16 (I/O)	SPISIMOA (I/O)	CANTXB (O)	TZ5 (I)
	17	3, 2	GPIO17 (I/O)	SPISOMIA (I/O)	CANRXB (I)	TZ6 (I)
	18	5, 4	GPIO18 (I/O)	SPICLKA (I/O)	SCITXDB (O)	CANRXA (I)
	19	7, 6	GPIO19 (I/O)	SPISTEA (I/O)	SCIRXDB (I)	CANTXA (O)
	20	9, 8	GPIO20 (I/O)	EQEP1A (I)	MDXA (O)	CANTXB (O)
	21	11, 10	GPIO21 (I/O)	EQEP1B (I)	MDRA (I)	CANRXB (I)
	22	13, 12	GPIO22 (I/O)	EQEP1S (I/O)	MCLKXA (I/O)	SCITXDB (O)
	23	15, 14	GPIO23 (I/O)	EQEP11 (I/O)	MFSXA (I/O)	SCIRXDB (I)

Table 8-18. GPIO-A Mux Peripheral Selection Matrix (continued)

REGISTER BITS		PERIPHERAL SELECTION				
GPADIR GPADAT GPASET GPACLR GPATOGGLE	GPAMUX1 GPAQSEL1	GPIOx GPAMUX1 = 0, 0	PER1 GPAMUX1 = 0, 1	PER2 GPAMUX1 = 1, 0	PER3 GPAMUX1 = 1, 1	
QUALPRD3	24	17, 16	GPIO24 (I/O)	ECAP1 (I/O)	EQEP2A (I)	MDXB (O)
	25	19, 18	GPIO25 (I/O)	ECAP2 (I/O)	EQEP2B (I)	MDRB (I)
	26	21, 20	GPIO26 (I/O)	ECAP3 (I/O)	EQEP2I (I/O)	MCLKXB (I/O)
	27	23, 22	GPIO27 (I/O)	ECAP4 (I/O)	EQEP2S (I/O)	MFSXB (I/O)
	28	25, 24	GPIO28 (I/O)	SCIRXDA (I)	XZCS6 (O)	
	29	27, 26	GPIO29 (I/O)	SCITXDA (O)	XA19 (O)	
	30	29, 28	GPIO30 (I/O)	CANRXA (I)	XA18 (O)	
	31	31, 30	GPIO31 (I/O)	CANTXA (O)	XA17 (O)	

Table 8-19. GPIO-B Mux Peripheral Selection Matrix

REGISTER BITS		PERIPHERAL SELECTION				
GPBDIR GPBDAT GPBSET GPBCLR GPBTOGGLE	GPBMUX1 GPBQSEL1	GPIOx GPBMUX1 = 0, 0	PER1 GPBMUX1 = 0, 1	PER2 GPBMUX1 = 1, 0	PER3 GPBMUX1 = 1, 1	
QUALPRD0	0	1, 0	GPIO32 (I/O)	SDAA (I/OC) ⁽¹⁾	EPWMSYNCI (I)	ADCSOCAO (O)
	1	3, 2	GPIO33 (I/O)	SCLA (I/OC) ⁽¹⁾	EPWMSYNCO (O)	ADCSOCBO (O)
	2	5, 4	GPIO34 (I/O)	ECAP1 (I/O)	XREADY (I)	
	3	7, 6	GPIO35 (I/O)	SCITXDA (O)	XR/ W (O)	
	4	9, 8	GPIO36 (I/O)	SCIRXDA (I)	XZCS0 (O)	
	5	11, 10	GPIO37 (I/O)	ECAP2 (I/O)	XZCS7 (O)	
	6	13, 12	GPIO38 (I/O)	Reserved	XWE0 (O)	
7	15, 14	GPIO39 (I/O)	XA16 (O)			
QUALPRD1	8	17, 16	GPIO40 (I/O)		XA0/ XWE1 (O)	
	9	19, 18	GPIO41 (I/O)		XA1 (O)	
	10	21, 20	GPIO42 (I/O)		XA2 (O)	
	11	23, 22	GPIO43 (I/O)		XA3 (O)	
	12	25, 24	GPIO44 (I/O)		XA4 (O)	
	13	27, 26	GPIO45 (I/O)		XA5 (O)	
	14	29, 28	GPIO46 (I/O)		XA6 (O)	
	15	31, 30	GPIO47 (I/O)		XA7 (O)	
		GPBMUX2 GPBQSEL2	GPBMUX2 = 0, 0	GPBMUX2 = 0, 1	GPBMUX2 = 1, 0	GPBMUX2 = 1, 1
QUALPRD2	16	1, 0	GPIO48 (I/O)	ECAP5 (I/O)	XD31 (I/O)	
	17	3, 2	GPIO49 (I/O)	ECAP6 (I/O)	XD30 (I/O)	
	18	5, 4	GPIO50 (I/O)	EQEP1A (I)	XD29 (I/O)	
	19	7, 6	GPIO51 (I/O)	EQEP1B (I)	XD28 (I/O)	
	20	9, 8	GPIO52 (I/O)	EQEP1S (I/O)	XD27 (I/O)	
	21	11, 10	GPIO53 (I/O)	EQEP1I (I/O)	XD26 (I/O)	
	22	13, 12	GPIO54 (I/O)	SPISIMOA (I/O)	XD25 (I/O)	
	23	15, 14	GPIO55 (I/O)	SPISOMIA (I/O)	XD24 (I/O)	

Table 8-19. GPIO-B Mux Peripheral Selection Matrix (continued)

REGISTER BITS		PERIPHERAL SELECTION			
GPBDIR GPBDAT GPBSET GPBCLR GPBTOGGLE	GPBMUX1 GPBQSEL1	GPIOx GPBMUX1 = 0, 0	PER1 GPBMUX1 = 0, 1	PER2 GPBMUX1 = 1, 0	PER3 GPBMUX1 = 1, 1
QUALPRD3	24	17, 16	GPIO56 (I/O)	SPICLKA (I/O)	XD23 (I/O)
	25	19, 18	GPIO57 (I/O)	SPISTEA (I/O)	XD22 (I/O)
	26	21, 20	GPIO58 (I/O)	MCLKRA (I/O)	XD21 (I/O)
	27	23, 22	GPIO59 (I/O)	MFSRA (I/O)	XD20 (I/O)
	28	25, 24	GPIO60 (I/O)	MCLKRB (I/O)	XD19 (I/O)
	29	27, 26	GPIO61 (I/O)	MFSRB (I/O)	XD18 (I/O)
	30	29, 28	GPIO62 (I/O)	SCIRXDC (I)	XD17 (I/O)
	31	31, 30	GPIO63 (I/O)	SCITXDC (O)	XD16 (I/O)

(1) Open drain

Table 8-20. GPIO-C Mux Peripheral Selection Matrix

REGISTER BITS		PERIPHERAL SELECTION		
GPCDIR GPCDAT GPCSET GPCCLR GPCTOGGLE	GPCMUX1	GPIOx or PER1 GPCMUX1 = 0, 0 or 0, 1	PER2 or PER3 GPCMUX1 = 1, 0 or 1, 1	
no qual	0	1, 0	GPIO64 (I/O)	XD15 (I/O)
	1	3, 2	GPIO65 (I/O)	XD14 (I/O)
	2	5, 4	GPIO66 (I/O)	XD13 (I/O)
	3	7, 6	GPIO67 (I/O)	XD12 (I/O)
	4	9, 8	GPIO68 (I/O)	XD11 (I/O)
	5	11, 10	GPIO69 (I/O)	XD10 (I/O)
	6	13, 12	GPIO70 (I/O)	XD9 (I/O)
	7	15, 14	GPIO71 (I/O)	XD8 (I/O)
no qual	8	17, 16	GPIO72 (I/O)	XD7 (I/O)
	9	19, 18	GPIO73 (I/O)	XD6 (I/O)
	10	21, 20	GPIO74 (I/O)	XD5 (I/O)
	11	23, 22	GPIO75 (I/O)	XD4 (I/O)
	12	25, 24	GPIO76 (I/O)	XD3 (I/O)
	13	27, 26	GPIO77 (I/O)	XD2 (I/O)
	14	29, 28	GPIO78 (I/O)	XD1 (I/O)
	15	31, 30	GPIO79 (I/O)	XD0 (I/O)
		GPCMUX2	GPCMUX2 = 0, 0 or 0, 1	GPCMUX2 = 1, 0 or 1, 1
no qual	16	1, 0	GPIO80 (I/O)	XA8 (O)
	17	3, 2	GPIO81 (I/O)	XA9 (O)
	18	5, 4	GPIO82 (I/O)	XA10 (O)
	19	7, 6	GPIO83 (I/O)	XA11 (O)
	20	9, 8	GPIO84 (I/O)	XA12 (O)
	21	11, 10	GPIO85 (I/O)	XA13 (O)
	22	13, 12	GPIO86 (I/O)	XA14 (O)
	23	15, 14	GPIO87 (I/O)	XA15 (O)

The user can select the type of input qualification for each GPIO pin through the GPxQSEL1/2 registers from four choices:

- Synchronization To SYSCLKOUT Only (GPxQSEL1/2 = 0, 0): This is the default mode of all GPIO pins at reset and it simply synchronizes the input signal to the system clock (SYSCLKOUT).
- Qualification Using Sampling Window (GPxQSEL1/2 = 0, 1 and 1, 0): In this mode the input signal, after synchronization to the system clock (SYSCLKOUT), is qualified by a specified number of cycles before the input is allowed to change.

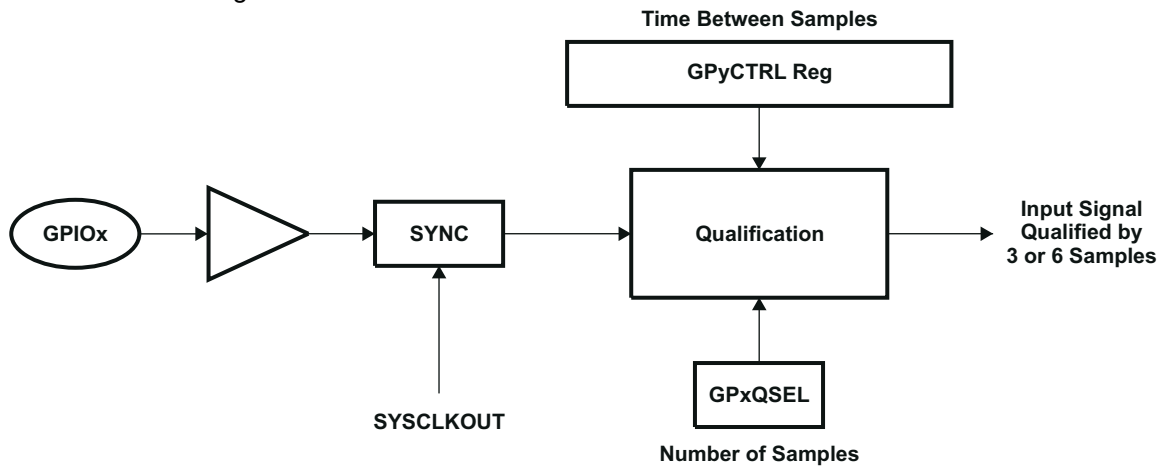


Figure 8-19. Qualification Using Sampling Window

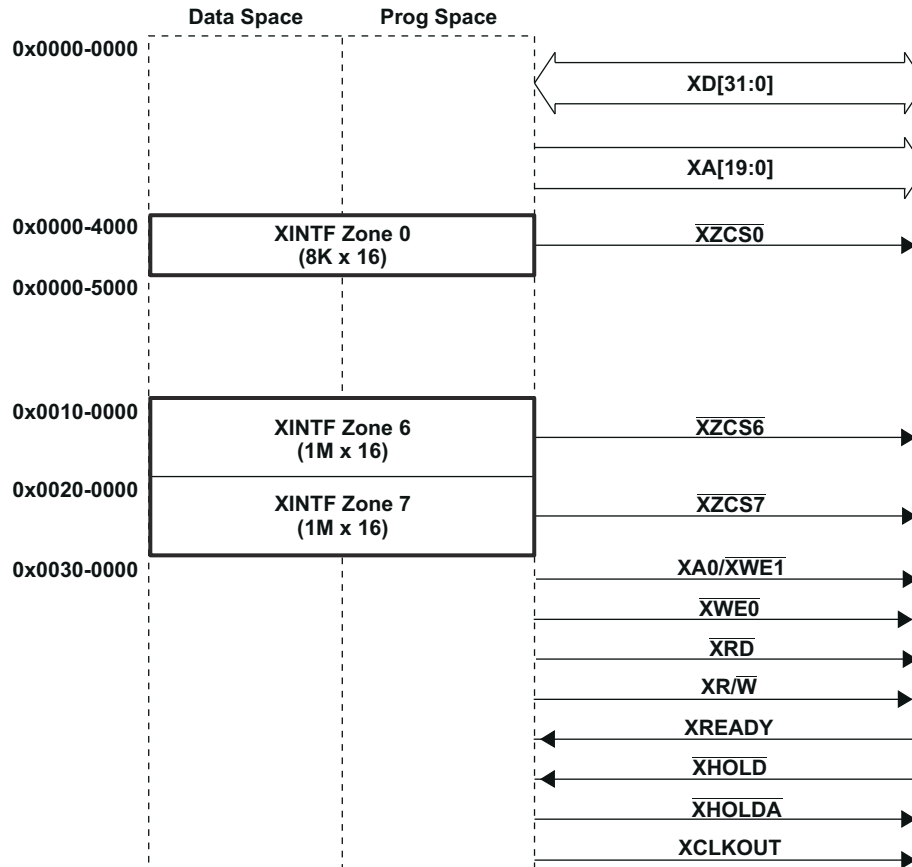
- The sampling period is specified by the QUALPRD bits in the GPxCTRL register and is configurable in groups of 8 signals. It specifies a multiple of SYSCLKOUT cycles for sampling the input signal. The sampling window is either 3-samples or 6-samples wide and the output is only changed when all samples are the same (all 0s or all 1s) as shown in [Figure 8-19](#) (for 6-sample mode).
- No Synchronization (GPxQSEL1/2 = 1,1): This mode is used for peripherals where synchronization is not required (synchronization is performed within the peripheral).

Due to the multilevel multiplexing that is required on the device, there may be cases where a peripheral input signal can be mapped to more than one GPIO pin. Also, when an input signal is not selected, the input signal will default to either a 0 or 1 state, depending on the peripheral.

8.2.14 External Interface (XINTF)

This section gives a top-level view of the external interface (XINTF) that is implemented on the 2833x/2823x devices.

The XINTF is a nonmultiplexed asynchronous bus, similar to the 2812 XINTF. The XINTF is mapped into three fixed zones shown in Figure 8-20.



- A. Each zone can be programmed with different wait states, setup and hold timings, and is supported by zone chip selects that toggle when an access to a particular zone is performed. These features enable glueless connection to many external memories and peripherals.
- B. Zones 1 – 5 are reserved for future expansion.
- C. Zones 0, 6, and 7 are always enabled.

Figure 8-20. External Interface Block Diagram

Figure 8-21 and Figure 8-22 show typical 16-bit and 32-bit data bus XINTF connections, illustrating how the functionality of the XA0 and XWE1 signals change, depending on the configuration. Table 8-21 defines XINTF configuration and control registers.

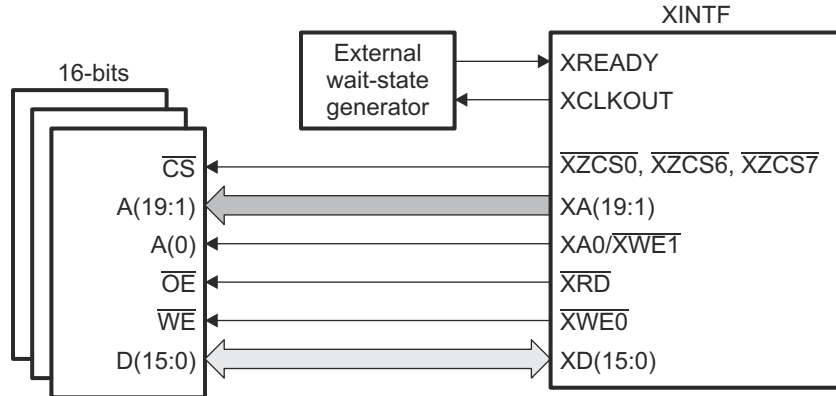


Figure 8-21. Typical 16-Bit Data Bus XINTF Connections

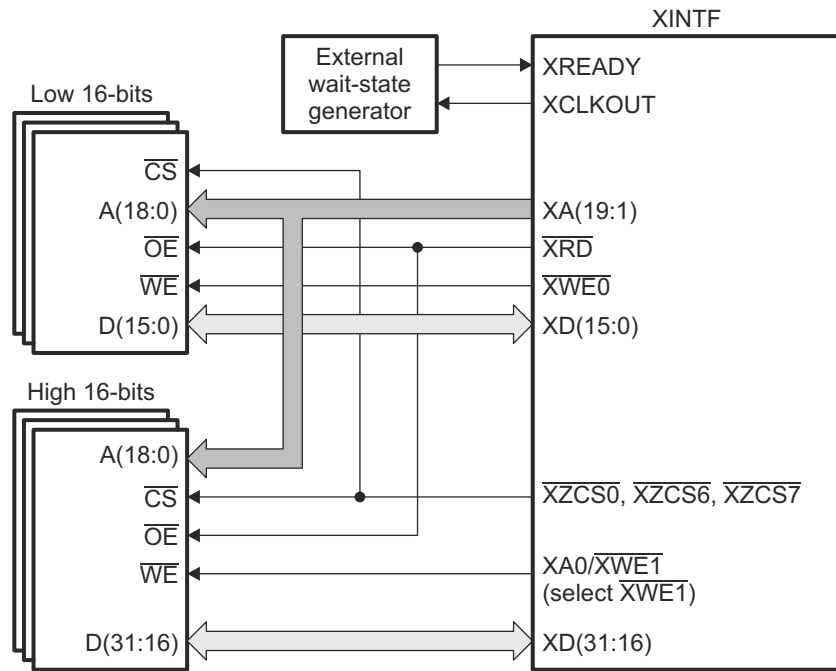


Figure 8-22. Typical 32-Bit Data Bus XINTF Connections

Table 8-21. XINTF Configuration and Control Register Mapping

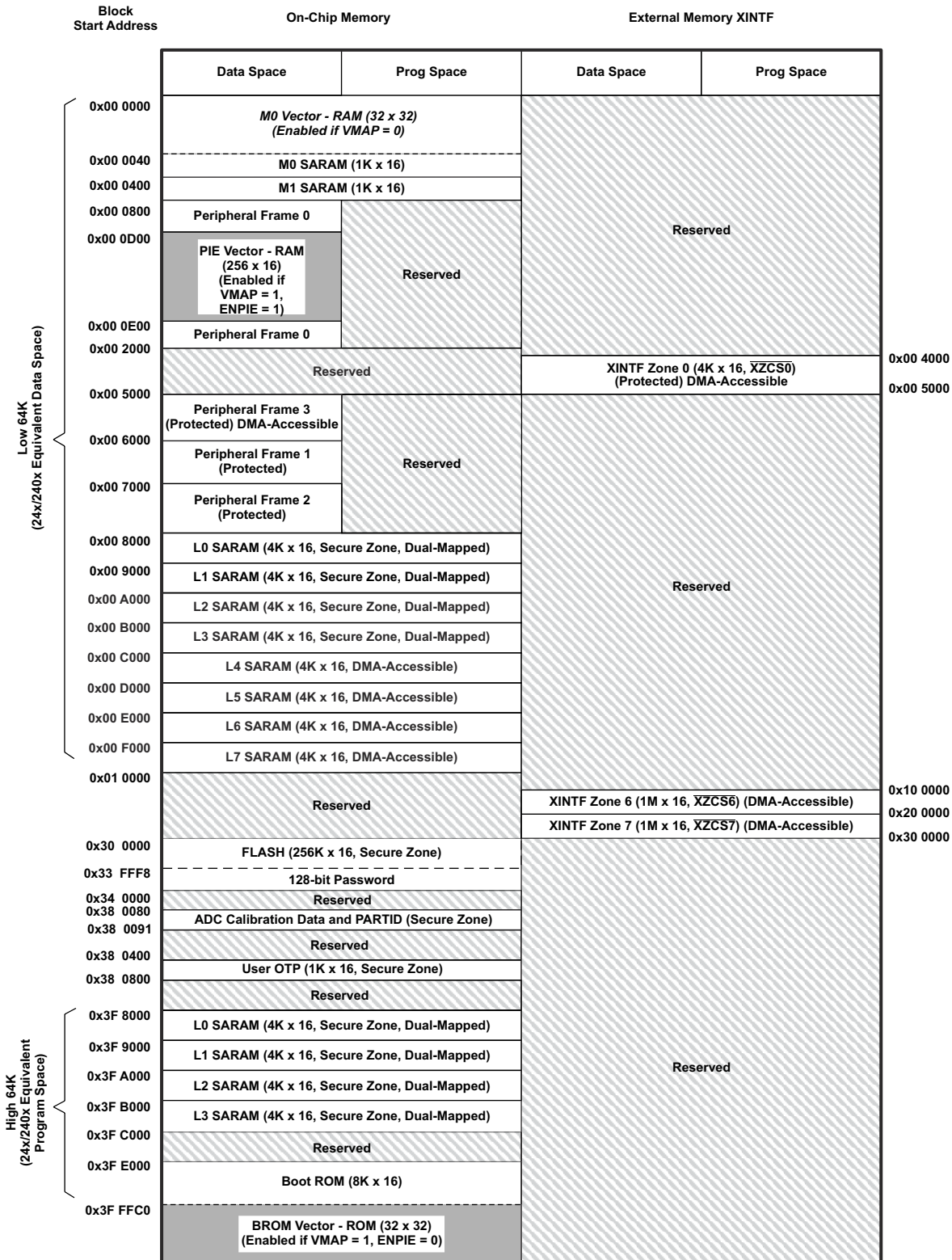
NAME	ADDRESS	SIZE (x16)	DESCRIPTION
XTIMING0	0x00–0B20	2	XINTF Timing Register, Zone 0
XTIMING6 ⁽¹⁾	0x00–0B2C	2	XINTF Timing Register, Zone 6
XTIMING7	0x00–0B2E	2	XINTF Timing Register, Zone 7
XINTCNF2 ⁽²⁾	0x00–0B34	2	XINTF Configuration Register
XBANK	0x00–0B38	1	XINTF Bank Control Register
XREVISION	0x00–0B3A	1	XINTF Revision Register
XRESET	0x00–0B3D	1	XINTF Reset Register

(1) XTIMING1 - XTIMING5 are reserved for future expansion and are not currently used.
 (2) XINTCNF1 is reserved and not currently used.

8.3 Memory Maps

In [Figure 8-23](#) to [Figure 8-25](#), the following apply:

- Memory blocks are not to scale.
- Peripheral Frame 0, Peripheral Frame 1, Peripheral Frame 2, and Peripheral Frame 3 memory maps are restricted to data memory only. A user program cannot access these memory maps in program space.
- *Protected* means the order of "Write followed by Read" operations is preserved rather than the pipeline order. See the [TMS320x2833x, 2823x system control and interrupts reference guide](#) for more details.
- Certain memory ranges are EALLOW protected against spurious writes after configuration.
- Locations 0x38 0080–0x38 008F contain the ADC calibration routine. It is not programmable by the user.
- If the eCAN module is not used in an application, the RAM available (LAM, MOTS, MOTO, and mailbox RAM) can be used as general-purpose RAM. The CAN module clock should be enabled for this.




LEGEND:
 Only one of these vector maps-M0 vector, PIE vector, BROM vector- should be enabled at a time.

Figure 8-23. F28335, F28333, F28235 Memory Map

Block Start Address	On-Chip Memory	External Memory XINTF			
	Data Space	Prog Space	Data Space		
			Prog Space		
Low 64K (24x/240x Equivalent Data Space)	0x00 0000	<i>M0 Vector - RAM (32 x 32) (Enabled if VMAP = 0)</i>			
	0x00 0040	M0 SARAM (1K x 16)			
	0x00 0400	M1 SARAM (1K x 16)			
	0x00 0800	Peripheral Frame 0	Reserved	Reserved	
	0x00 0D00	PIE Vector - RAM (256 x 16) (Enabled if VMAP = 1, ENPIE = 1)			
	0x00 0E00	Peripheral Frame 0			
	0x00 2000	Reserved			XINTF Zone 0 (4K x 16, XZCS0) (Protected) DMA-Accessible
	0x00 5000	Peripheral Frame 3 (Protected) DMA-Accessible	Reserved		Reserved
	0x00 6000	Peripheral Frame 1 (Protected)			
	0x00 7000	Peripheral Frame 2 (Protected)			
	0x00 8000	L0 SARAM (4K x 16, Secure Zone, Dual-Mapped)			
	0x00 9000	L1 SARAM (4K x 16, Secure Zone, Dual-Mapped)			
	0x00 A000	L2 SARAM (4K x 16, Secure Zone, Dual-Mapped)			
	0x00 B000	L3 SARAM (4K x 16, Secure Zone, Dual-Mapped)			
	0x00 C000	L4 SARAM (4K x 16, DMA-Accessible)			
	0x00 D000	L5 SARAM (4K x 16, DMA-Accessible)			
	0x00 E000	L6 SARAM (4K x 16, DMA-Accessible)			
0x00 F000	L7 SARAM (4K x 16, DMA-Accessible)				
0x01 0000	Reserved		XINTF Zone 6 (1M x 16, XZCS6) (DMA-Accessible)		
			XINTF Zone 7 (1M x 16, XZCS7) (DMA-Accessible)		
0x32 0000	FLASH (128K x 16, Secure Zone)		Reserved		
0x33 FFF8	128-bit Password				
0x34 0000	Reserved				
0x38 0080	ADC Calibration Data and PARTID (Secure Zone)				
0x38 0091	Reserved				
0x38 0400	User OTP (1K x 16, Secure Zone)				
0x38 0800	Reserved				
0x3F 8000	L0 SARAM (4K x 16, Secure Zone, Dual-Mapped)				
0x3F 9000	L1 SARAM (4K x 16, Secure Zone, Dual-Mapped)				
0x3F A000	L2 SARAM (4K x 16, Secure Zone, Dual-Mapped)				
0x3F B000	L3 SARAM (4K x 16, Secure Zone, Dual-Mapped)				
0x3F C000	Reserved				
0x3F E000	Boot ROM (8K x 16)				
0x3F FFC0	BROM Vector - ROM (32 x 32) (Enabled if VMAP = 1, ENPIE = 0)				

LEGEND:


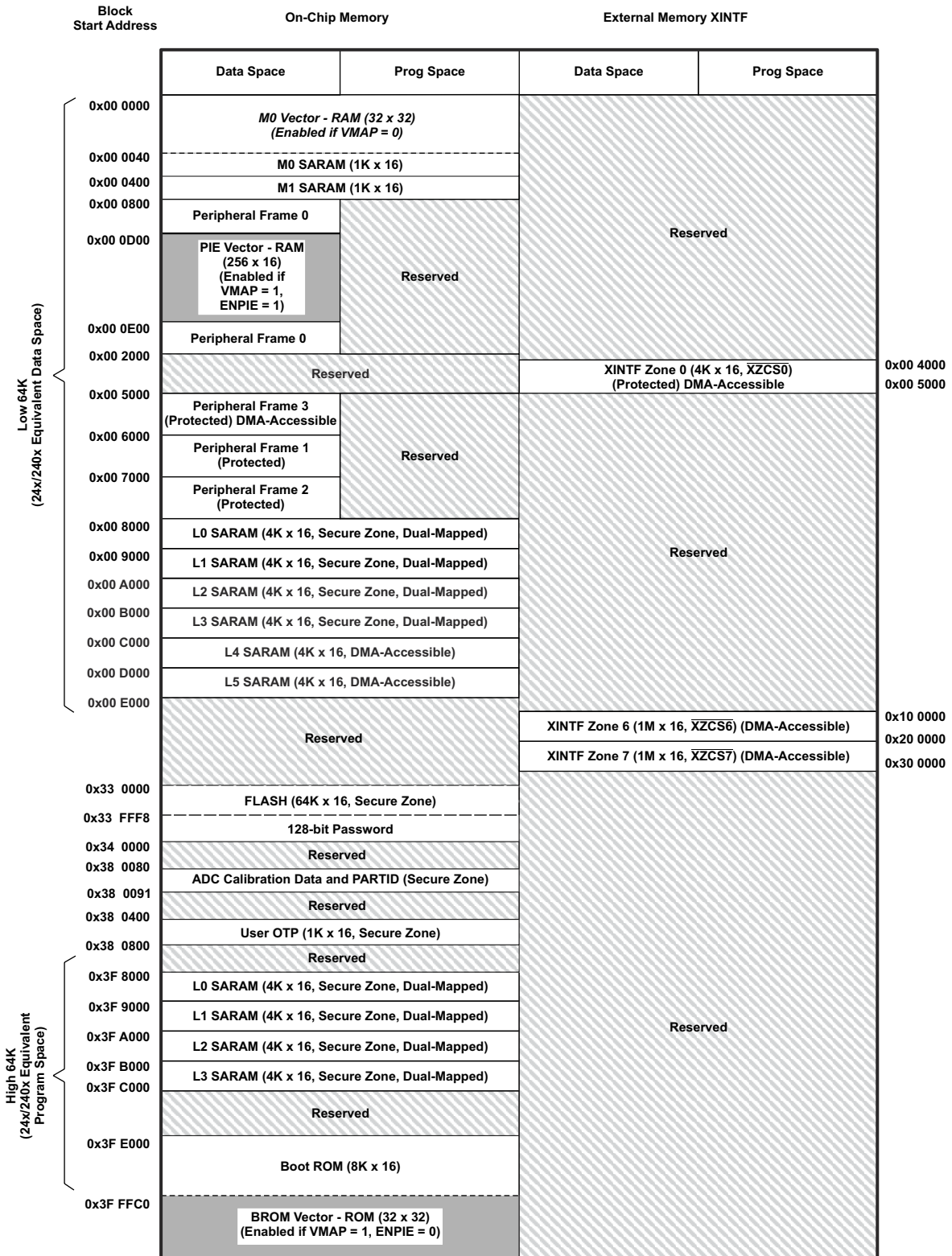
 Only one of these vector maps-M0 vector, PIE vector, BROM vector-should be enabled at a time.

Figure 8-24. F28334, F28234 Memory Map



LEGEND:
 Only one of these vector maps-M0 vector, PIE vector, BROM vector-should be enabled at a time.

Figure 8-25. F28332, F28232 Memory Map

Table 8-22. Addresses of Flash Sectors in F28335, F28333, F28235

ADDRESS RANGE	PROGRAM AND DATA SPACE
0x30 0000 - 0x30 7FFF	Sector H (32K × 16)
0x30 8000 - 0x30 FFFF	Sector G (32K × 16)
0x31 0000 - 0x31 7FFF	Sector F (32K × 16)
0x31 8000 - 0x31 FFFF	Sector E (32K × 16)
0x32 0000 - 0x32 7FFF	Sector D (32K × 16)
0x32 8000 - 0x32 FFFF	Sector C (32K × 16)
0x33 0000 - 0x33 7FFF	Sector B (32K × 16)
0x33 8000 - 0x33 FF7F	Sector A (32K × 16)
0x33 FF80 - 0x33 FFF5	Program to 0x0000 when using the Code Security Module
0x33 FFF6 - 0x33 FFF7	Boot-to-Flash Entry Point (program branch instruction here)
0x33 FFF8 - 0x33 FFFF	Security Password (128-Bit) (Do Not Program to all zeros)

Table 8-23. Addresses of Flash Sectors in F28334, F28234

ADDRESS RANGE	PROGRAM AND DATA SPACE
0x32 0000 - 0x32 3FFF	Sector H (16K × 16)
0x32 4000 - 0x32 7FFF	Sector G (16K × 16)
0x32 8000 - 0x32 BFFF	Sector F (16K × 16)
0x32 C000 - 0x32 FFFF	Sector E (16K × 16)
0x33 0000 - 0x33 3FFF	Sector D (16K × 16)
0x33 4000 - 0x33 7FFF	Sector C (16K × 16)
0x33 8000 - 0x33 BFFF	Sector B (16K × 16)
0x33 C000 - 0x33 FF7F	Sector A (16K × 16)
0x33 FF80 - 0x33 FFF5	Program to 0x0000 when using the Code Security Module
0x33 FFF6 - 0x33 FFF7	Boot-to-Flash Entry Point (program branch instruction here)
0x33 FFF8 - 0x33 FFFF	Security Password (128-Bit) (Do Not Program to all zeros)

Table 8-24. Addresses of Flash Sectors in F28332, F28232

ADDRESS RANGE	PROGRAM AND DATA SPACE
0x33 0000 - 0x33 3FFF	Sector D (16K × 16)
0x33 4000 - 0x33 7FFF	Sector C (16K × 16)
0x33 8000 - 0x33 BFFF	Sector B (16K × 16)
0x33 C000 - 0x33 FF7F	Sector A (16K × 16)
0x33 FF80 - 0x33 FFF5	Program to 0x0000 when using the Code Security Module
0x33 FFF6 - 0x33 FFF7	Boot-to-Flash Entry Point (program branch instruction here)
0x33 FFF8 - 0x33 FFFF	Security Password (128-Bit) (Do Not Program to all zeros)

Note

- When the code-security passwords are programmed, all addresses from 0x33FF80 to 0x33FFF5 cannot be used as program code or data. These locations must be programmed to 0x0000.
- If the code security feature is not used, addresses 0x33FF80 to 0x33FFF5 may be used for code or data. Addresses 0x33FFF0 to 0x33FFF5 are reserved for data and should not contain program code.

Table 8-25 shows how to handle these memory locations.

Table 8-25. Handling Security Code Locations

ADDRESS	FLASH	
	CODE SECURITY ENABLED	CODE SECURITY DISABLED
0x33FF80 – 0x33FFEF	Fill with 0x0000	Application code and data
0x33FFF0 – 0x33FFF5		Reserved for data only

Peripheral Frame 1, Peripheral Frame 2, and Peripheral Frame 3 are grouped together to enable these blocks to be write/read peripheral block protected. The protected mode ensures that all accesses to these blocks happen as written. Because of the C28x pipeline, a write immediately followed by a read, to different memory locations, will appear in reverse order on the memory bus of the CPU. This can cause problems in certain peripheral applications where the user expected the write to occur first (as written). The C28x CPU supports a block protection mode where a region of memory can be protected so as to make sure that operations occur as written (the penalty is extra cycles are added to align the operations). This mode is programmable and by default, it will protect the selected zones.

The wait states for the various spaces in the memory map area are listed in [Table 8-26](#).

Table 8-26. Wait States

AREA	WAIT STATES (CPU)	WAIT STATES (DMA) ⁽¹⁾	COMMENTS
M0 and M1 SARAMs	0-wait		Fixed
Peripheral Frame 0	0-wait (writes) 1-wait (reads)	0-wait (reads) No access (writes)	
Peripheral Frame 3	0-wait (writes) 2-wait (reads)	0-wait (writes) 1-wait (reads)	Assumes no conflicts between CPU and DMA.
Peripheral Frame 1	0-wait (writes) 2-wait (reads)	No access	Cycles can be extended by peripheral generated ready. Consecutive (back-to-back) writes to Peripheral Frame 1 registers will experience a 1-cycle pipeline hit (1-cycle delay)
Peripheral Frame 2	0-wait (writes) 2-wait (reads)	No access	Fixed. Cycles cannot be extended by the peripheral.
L0 SARAM	0-wait	No access	Assumes no CPU conflicts
L1 SARAM			
L2 SARAM			
L3 SARAM			
L4 SARAM	0-wait data (reads)	0-wait	Assumes no conflicts between CPU and DMA.
L5 SARAM	0-wait data (writes)		
L6 SARAM	1-wait program (reads)		
L7 SARAM	1-wait program (writes)		
XINTF	Programmable 0-wait minimum writes with write buffer enabled	Programmable 0-wait minimum writes with write buffer enabled	Programmed through the XTIMING registers or extendable through external XREADY signal to meet system timing requirements. 1-wait is minimum wait states allowed on external waveforms for both reads and writes on XINTF. 0-wait minimum for writes assumes write buffer enabled and not full. Assumes no conflicts between CPU and DMA. When DMA and CPU try simultaneously (conflict), a 1-cycle delay is added for arbitration.
OTP	Programmable 1-wait minimum	No access	Programmed via the Flash registers. 1-wait is minimum number of wait states allowed. 1-wait-state operation is possible at a reduced CPU frequency.
FLASH	Programmable 1-wait Paged min 1-wait Random min Random ≥ Paged	No access	Programmed via the Flash registers. 0-wait minimum for paged access is not allowed
FLASH Password	16-wait fixed	No access	Wait states of password locations are fixed.
Boot-ROM	1-wait	No access	0-wait speed is not possible.

(1) The DMA has a base of four cycles/word.

8.4 Register Map

The devices contain four peripheral register spaces. The spaces are categorized as follows:

Peripheral Frame 0:	These are peripherals that are mapped directly to the CPU memory bus. See Table 8-27 .
Peripheral Frame 1	These are peripherals that are mapped to the 32-bit peripheral bus. See Table 8-28 .
Peripheral Frame 2:	These are peripherals that are mapped to the 16-bit peripheral bus. See Table 8-29 .
Peripheral Frame 3:	These are peripherals that are mapped to the 32-bit DMA-accessible peripheral bus. See Table 8-30 .

Table 8-27. Peripheral Frame 0 Registers (1)

NAME	ADDRESS RANGE	SIZE (x16)	ACCESS TYPE(2)
Device Emulation Registers	0x00 0880 – 0x00 09FF	384	EALLOW protected
FLASH Registers(3)	0x00 0A80 – 0x00 0ADF	96	EALLOW protected
Code Security Module Registers	0x00 0AE0 – 0x00 0AEF	16	EALLOW protected
ADC registers (dual-mapped) 0 wait (DMA), 1 wait (CPU), read only	0x00 0B00 – 0x00 0B0F	16	Not EALLOW protected
XINTF Registers	0x00 0B20 – 0x00 0B3F	32	EALLOW protected
CPU-Timer 0, CPU-Timer 1, CPU-Timer 2 Registers	0x00 0C00 – 0x00 0C3F	64	Not EALLOW protected
PIE Registers	0x00 0CE0 – 0x00 0CFF	32	Not EALLOW protected
PIE Vector Table	0x00 0D00 – 0x00 0DFF	256	EALLOW protected
DMA Registers	0x00 1000 – 0x00 11FF	512	EALLOW protected

- (1) Registers in Frame 0 support 16-bit and 32-bit accesses.
- (2) If registers are EALLOW protected, then writes cannot be performed until the EALLOW instruction is executed. The EDIS instruction disables writes to prevent stray code or pointers from corrupting register contents.
- (3) The Flash Registers are also protected by the Code Security Module (CSM).

Table 8-28. Peripheral Frame 1 Registers

NAME	ADDRESS RANGE	SIZE (x16)
eCAN-A Registers	0x00 6000 – 0x00 61FF	512
eCAN-B Registers	0x00 6200 – 0x00 63FF	512
ePWM1 + HRPWM1 Registers	0x00 6800 – 0x00 683F	64
ePWM2 + HRPWM2 Registers	0x00 6840 – 0x00 687F	64
ePWM3 + HRPWM3 Registers	0x00 6880 – 0x00 68BF	64
ePWM4 + HRPWM4 Registers	0x00 68C0 – 0x00 68FF	64
ePWM5 + HRPWM5 Registers	0x00 6900 – 0x00 693F	64
ePWM6 + HRPWM6 Registers	0x00 6940 – 0x00 697F	64
eCAP1 Registers	0x00 6A00 – 0x00 6A1F	32
eCAP2 Registers	0x00 6A20 – 0x00 6A3F	32
eCAP3 Registers	0x00 6A40 – 0x00 6A5F	32
eCAP4 Registers	0x00 6A60 – 0x00 6A7F	32
eCAP5 Registers	0x00 6A80 – 0x00 6A9F	32
eCAP6 Registers	0x00 6AA0 – 0x00 6ABF	32
eQEP1 Registers	0x00 6B00 – 0x00 6B3F	64
eQEP2 Registers	0x00 6B40 – 0x00 6B7F	64
GPIO Registers	0x00 6F80 – 0x00 6FFF	128

Table 8-29. Peripheral Frame 2 Registers

NAME	ADDRESS RANGE	SIZE (x16)
System Control Registers	0x00 7010 – 0x00 702F	32

Table 8-29. Peripheral Frame 2 Registers (continued)

NAME	ADDRESS RANGE	SIZE (x16)
SPI-A Registers	0x00 7040 – 0x00 704F	16
SCI-A Registers	0x00 7050 – 0x00 705F	16
External Interrupt Registers	0x00 7070 – 0x00 707F	16
ADC Registers	0x00 7100 – 0x00 711F	32
SCI-B Registers	0x00 7750 – 0x00 775F	16
SCI-C Registers	0x00 7770 – 0x00 777F	16
I2C-A Registers	0x00 7900 – 0x00 793F	64

Table 8-30. Peripheral Frame 3 Registers

NAME	ADDRESS RANGE	SIZE (x16)
McBSP-A Registers (DMA)	0x5000 – 0x503F	64
McBSP-B Registers (DMA)	0x5040 – 0x507F	64
ePWM1 + HRPWM1 (DMA) ⁽¹⁾	0x5800 – 0x583F	64
ePWM2 + HRPWM2 (DMA)	0x5840 – 0x587F	64
ePWM3 + HRPWM3 (DMA)	0x5880 – 0x58BF	64
ePWM4 + HRPWM4 (DMA)	0x58C0 – 0x58FF	64
ePWM5 + HRPWM5 (DMA)	0x5900 – 0x593F	64
ePWM6 + HRPWM6 (DMA)	0x5940 – 0x597F	64

- (1) The ePWM and HRPWM modules can be re-mapped to Peripheral Frame 3 where they can be accessed by the DMA module. To achieve this, bit 0 (MAPEPWM) of MAPCNF register (address 0x702E) must be set to 1. This register is EALLOW protected. When this bit is 0, the ePWM and HRPWM modules are mapped to Peripheral Frame 1.

8.4.1 Device Emulation Registers

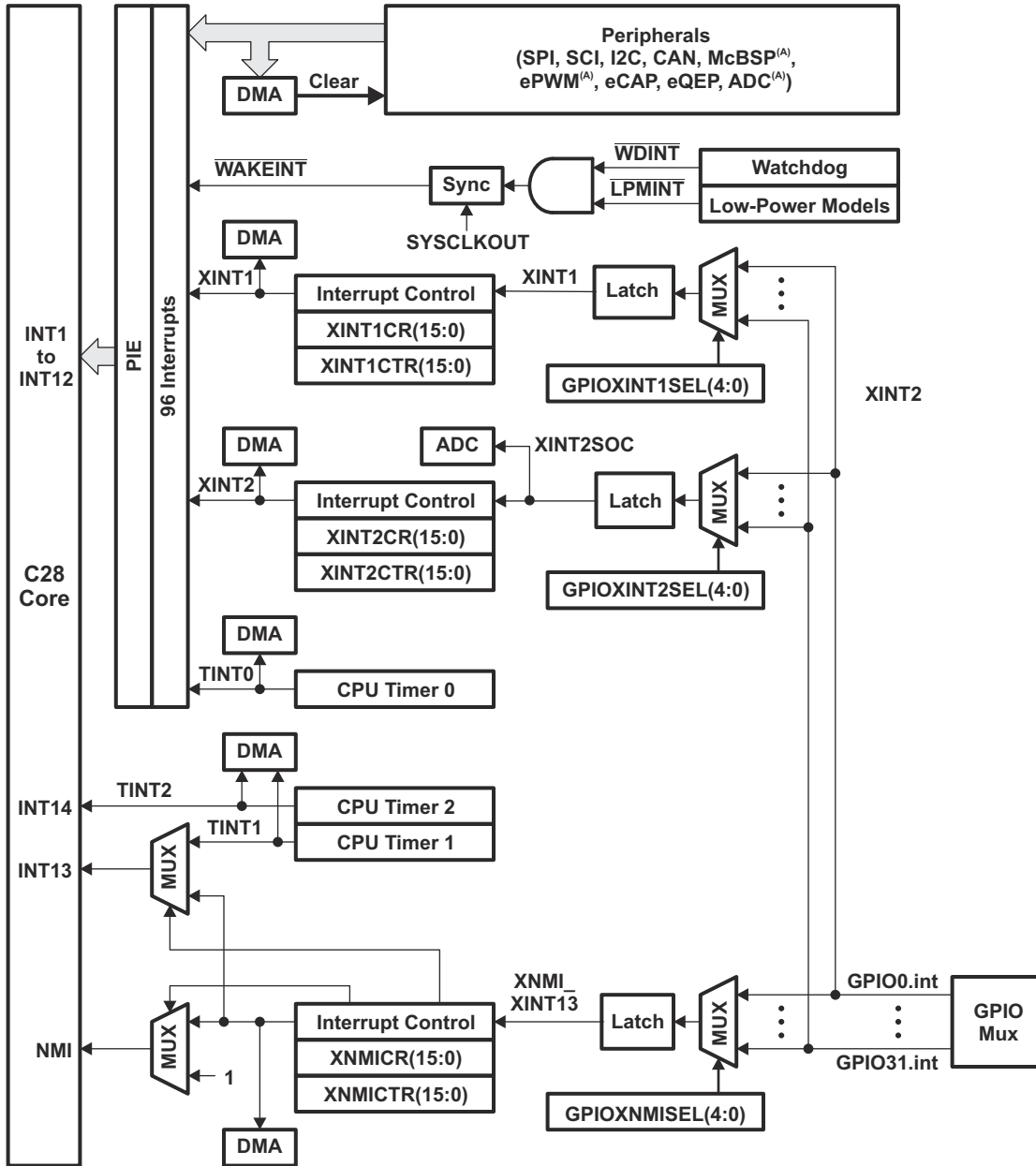
These registers are used to control the protection mode of the C28x CPU and to monitor some critical device signals. The registers are defined in [Table 8-31](#).

Table 8-31. Device Emulation Registers

NAME	ADDRESS RANGE	SIZE (x16)	DESCRIPTION		
DEVICECNF	0x0880 0x0881	2	Device Configuration Register		
PARTID	0x380090	1	Part ID Register	TMS320F28335	0x00EF
				TMS320F28334	0x00EE
				TMS320F28333	0x00E0
				TMS320F28332	0x00ED
				TMS320F28235	0x00E8
				TMS320F28234	0x00E7
				TMS320F28232	0x00E6
CLASSID	0x0882	1	TMS320F2833x Floating-Point Class Device	TMS320F28335	0x00EF
				TMS320F28334	0x00EF
				TMS320F28333	0x00EF
				TMS320F28332	0x00EF
			TMS320F2823x Fixed-Point Class Device	TMS320F28235	0x00E8
				TMS320F28234	0x00E8
				TMS320F28232	0x00E8
REVID	0x0883	1	Revision ID Register	0x0001 – Silicon Rev. A – TMS	
PROTSTART	0x0884	1	Block Protection Start Address Register		
PROTRANGE	0x0885	1	Block Protection Range Address Register		

8.5 Interrupts

Figure 8-26 shows how the various interrupt sources are multiplexed.



A. DMA-accessible

Figure 8-26. External and PIE Interrupt Sources

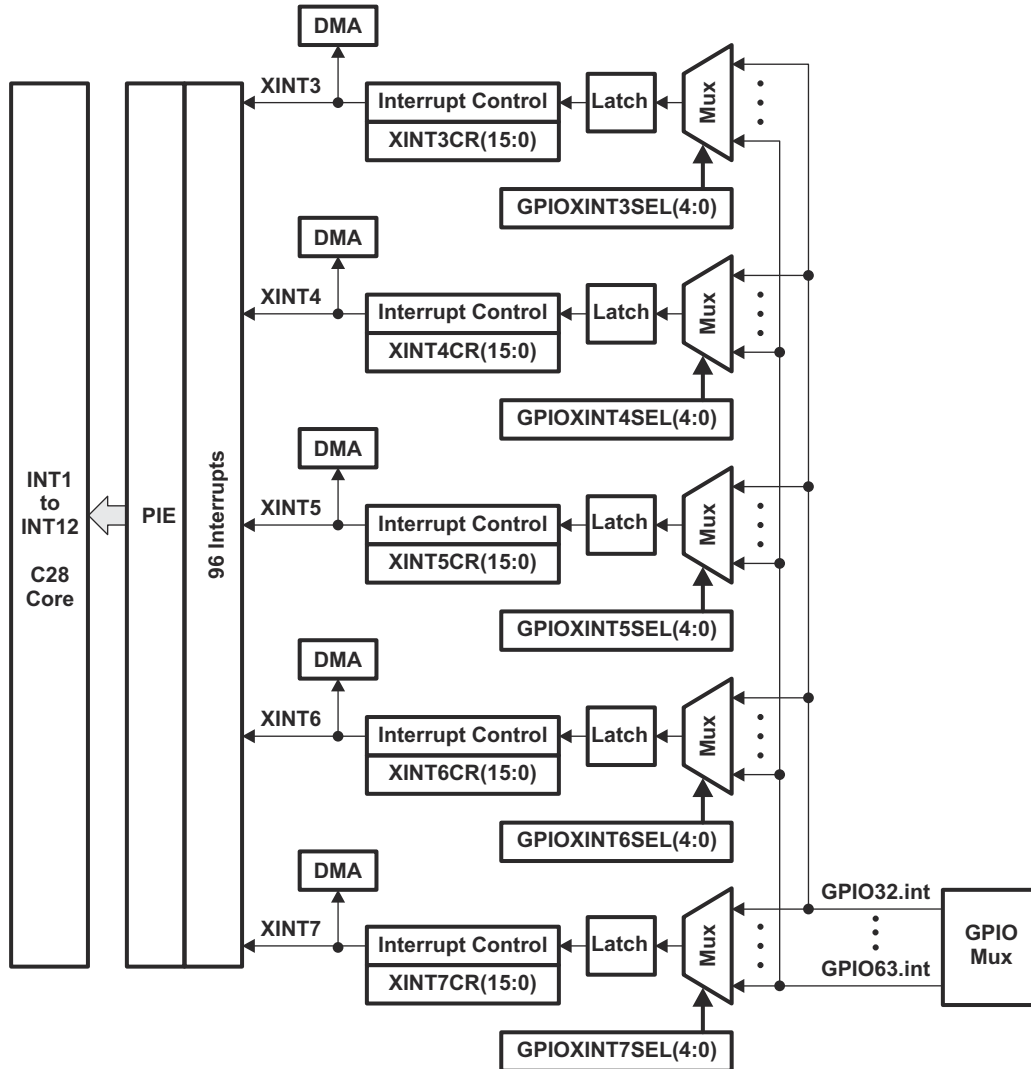


Figure 8-27. External Interrupts

Eight PIE block interrupts are grouped into one CPU interrupt. In total, 12 CPU interrupt groups, with 8 interrupts per group equals 96 possible interrupts. On the 2833x/2823x devices, 58 of these are used by peripherals as shown in [Table 8-32](#).

The TRAP #VectorNumber instruction transfers program control to the interrupt service routine corresponding to the vector specified. TRAP #0 tries to transfer program control to the address pointed to by the reset vector. The PIE vector table does not, however, include a reset vector. Therefore, TRAP #0 should not be used when the PIE is enabled. Doing so will result in undefined behavior.

When the PIE is enabled, TRAP #1 to TRAP #12 will transfer program control to the interrupt service routine corresponding to the first vector within the PIE group. For example: TRAP #1 fetches the vector from INT1.1, TRAP #2 fetches the vector from INT2.1, and so forth.

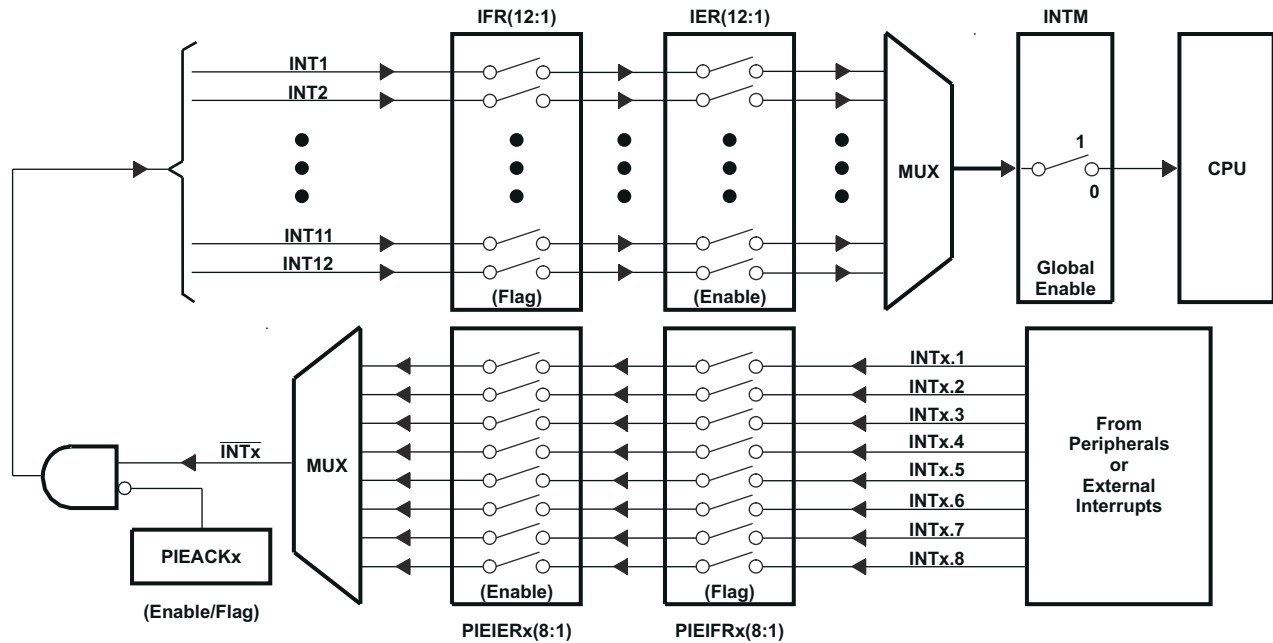


Figure 8-28. Multiplexing of Interrupts Using the PIE Block

Table 8-32. PIE Peripheral Interrupts ⁽¹⁾

CPU INTERRUPTS	PIE INTERRUPTS							
	INTx.8	INTx.7	INTx.6	INTx.5	INTx.4	INTx.3	INTx.2	INTx.1
INT1	WAKEINT (LPM/WD)	TINT0 (TIMER 0)	ADCINT ⁽²⁾ (ADC)	XINT2	XINT1	Reserved	SEQ2INT (ADC)	SEQ1INT (ADC)
INT2	Reserved	Reserved	EPWM6_TZINT (ePWM6)	EPWM5_TZINT (ePWM5)	EPWM4_TZINT (ePWM4)	EPWM3_TZINT (ePWM3)	EPWM2_TZINT (ePWM2)	EPWM1_TZINT (ePWM1)
INT3	Reserved	Reserved	EPWM6_INT (ePWM6)	EPWM5_INT (ePWM5)	EPWM4_INT (ePWM4)	EPWM3_INT (ePWM3)	EPWM2_INT (ePWM2)	EPWM1_INT (ePWM1)
INT4	Reserved	Reserved	ECAP6_INT (eCAP6)	ECAP5_INT (eCAP5)	ECAP4_INT (eCAP4)	ECAP3_INT (eCAP3)	ECAP2_INT (eCAP2)	ECAP1_INT (eCAP1)
INT5	Reserved	Reserved	Reserved	Reserved	Reserved	Reserved	EQEP2_INT (eQEP2)	EQEP1_INT (eQEP1)
INT6	Reserved	Reserved	MXINTA (McBSP-A)	MRINTA (McBSP-A)	MXINTB (McBSP-B)	MRINTB (McBSP-B)	SPITXINTA (SPI-A)	SPIRXINTA (SPI-A)
INT7	Reserved	Reserved	DINTCH6 (DMA)	DINTCH5 (DMA)	DINTCH4 (DMA)	DINTCH3 (DMA)	DINTCH2 (DMA)	DINTCH1 (DMA)
INT8	Reserved	Reserved	SCITXINTC (SCI-C)	SCIRXINTC (SCI-C)	Reserved	Reserved	I2CINT2A (I2C-A)	I2CINT1A (I2C-A)
INT9	ECAN1_INTB (CAN-B)	ECAN0_INTB (CAN-B)	ECAN1_INTA (CAN-A)	ECAN0_INTA (CAN-A)	SCITXINTB (SCI-B)	SCIRXINTB (SCI-B)	SCITXINTA (SCI-A)	SCIRXINTA (SCI-A)
INT10	Reserved	Reserved	Reserved	Reserved	Reserved	Reserved	Reserved	Reserved
INT11	Reserved	Reserved	Reserved	Reserved	Reserved	Reserved	Reserved	Reserved
INT12	LUF (FPU)	LVF (FPU)	Reserved	XINT7	XINT6	XINT5	XINT4	XINT3

- (1) Out of the 96 possible interrupts, 58 interrupts are currently used. The remaining interrupts are reserved for future devices. These interrupts can be used as software interrupts if they are enabled at the PIEIFRx level, provided none of the interrupts within the group is being used by a peripheral. Otherwise, interrupts coming in from peripherals may be lost by accidentally clearing their flag while modifying the PIEIFR. To summarize, there are two safe cases when the reserved interrupts could be used as software interrupts:
- 1) No peripheral within the group is asserting interrupts.
 - 2) No peripheral interrupts are assigned to the group (example PIE group 11).
- (2) ADCINT is sourced as a logical "OR" of both the SEQ1INT and SEQ2INT signals. This is to support backward compatibility with the implementation found on the TMS320F281x series of devices, where SEQ1INT and SEQ2INT did not exist, only ADCINT. For new implementations, TI recommends using SEQ1INT and SEQ2INT and not enabling ADCINT in the PIEIER register.

Table 8-33. PIE Configuration and Control Registers

NAME	ADDRESS	SIZE (x16)	DESCRIPTION ⁽¹⁾
PIECTRL	0x0CE0	1	PIE, Control Register
PIEACK	0x0CE1	1	PIE, Acknowledge Register
PIEIER1	0x0CE2	1	PIE, INT1 Group Enable Register
PIEIFR1	0x0CE3	1	PIE, INT1 Group Flag Register
PIEIER2	0x0CE4	1	PIE, INT2 Group Enable Register
PIEIFR2	0x0CE5	1	PIE, INT2 Group Flag Register
PIEIER3	0x0CE6	1	PIE, INT3 Group Enable Register
PIEIFR3	0x0CE7	1	PIE, INT3 Group Flag Register
PIEIER4	0x0CE8	1	PIE, INT4 Group Enable Register
PIEIFR4	0x0CE9	1	PIE, INT4 Group Flag Register
PIEIER5	0x0CEA	1	PIE, INT5 Group Enable Register
PIEIFR5	0x0CEB	1	PIE, INT5 Group Flag Register
PIEIER6	0x0CEC	1	PIE, INT6 Group Enable Register
PIEIFR6	0x0CED	1	PIE, INT6 Group Flag Register
PIEIER7	0x0CEE	1	PIE, INT7 Group Enable Register
PIEIFR7	0x0CEF	1	PIE, INT7 Group Flag Register
PIEIER8	0x0CF0	1	PIE, INT8 Group Enable Register
PIEIFR8	0x0CF1	1	PIE, INT8 Group Flag Register
PIEIER9	0x0CF2	1	PIE, INT9 Group Enable Register
PIEIFR9	0x0CF3	1	PIE, INT9 Group Flag Register
PIEIER10	0x0CF4	1	PIE, INT10 Group Enable Register
PIEIFR10	0x0CF5	1	PIE, INT10 Group Flag Register
PIEIER11	0x0CF6	1	PIE, INT11 Group Enable Register
PIEIFR11	0x0CF7	1	PIE, INT11 Group Flag Register
PIEIER12	0x0CF8	1	PIE, INT12 Group Enable Register
PIEIFR12	0x0CF9	1	PIE, INT12 Group Flag Register
Reserved	0x0CFA – 0x0CFF	6	Reserved

- (1) The PIE configuration and control registers are not protected by EALLOW mode. The PIE vector table is protected.

8.5.1 External Interrupts

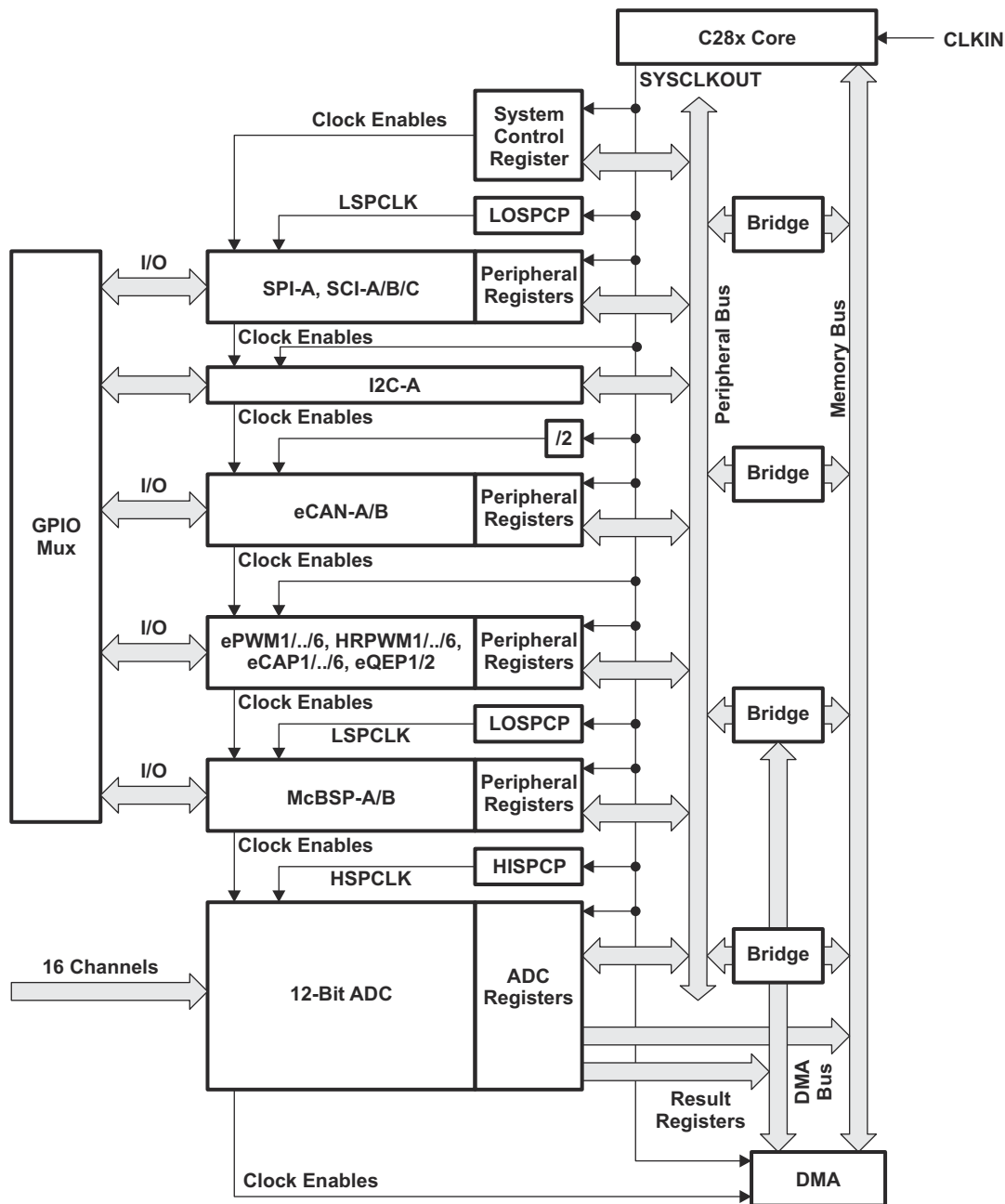
Table 8-34. External Interrupt Registers

NAME	ADDRESS	SIZE (x16)	DESCRIPTION
XINT1CR	0x00 7070	1	XINT1 configuration register
XINT2CR	0x00 7071	1	XINT2 configuration register
XINT3CR	0x00 7072	1	XINT3 configuration register
XINT4CR	0x00 7073	1	XINT4 configuration register
XINT5CR	0x00 7074	1	XINT5 configuration register
XINT6CR	0x00 7075	1	XINT6 configuration register
XINT7CR	0x00 7076	1	XINT7 configuration register
XNMICR	0x00 7077	1	XNMI configuration register
XINT1CTR	0x00 7078	1	XINT1 counter register
XINT2CTR	0x00 7079	1	XINT2 counter register
Reserved	0x707A – 0x707E	5	
XNMICTR	0x00 707F	1	XNMI counter register

Each external interrupt can be enabled or disabled or qualified using positive, negative, or both positive and negative edge. For more information, see the [TMS320x2833x, 2823x system control and interrupts reference guide](#).

8.6 System Control

This section describes the oscillator, PLL and clocking mechanisms, the watchdog function and the low-power modes. Figure 8-29 shows the various clock and reset domains that will be discussed.



- A. CLKIN is the clock into the CPU. It is passed out of the CPU as SYSCLKOUT (that is, CLKIN is the same frequency as SYSCLKOUT). See Figure 8-30 for an illustration of how CLKIN is derived.

Figure 8-29. Clock and Reset Domains

Note

There is a 2-SYSCLKOUT cycle delay from when the write to the PCLKCR0, PCLKCR1, and PCLKCR2 registers (enables peripheral clocks) occurs to when the action is valid. This delay must be considered before trying to access the peripheral configuration registers.

The PLL, clocking, watchdog and low-power modes, are controlled by the registers listed in [Table 8-35](#).

Table 8-35. PLL, Clocking, Watchdog, and Low-Power Mode Registers

NAME	ADDRESS	SIZE (x16)	DESCRIPTION
PLLSTS	0x00 7011	1	PLL Status Register
Reserved	0x00 7012 – 0x00 7018	7	Reserved
Reserved	0x00 7019	1	Reserved
HISPCP	0x00 701A	1	High-Speed Peripheral Clock Prescaler Register
LOSPCP	0x00 701B	1	Low-Speed Peripheral Clock Prescaler Register
PCLKCR0	0x00 701C	1	Peripheral Clock Control Register 0
PCLKCR1	0x00 701D	1	Peripheral Clock Control Register 1
LPMCR0	0x00 701E	1	Low-Power Mode Control Register 0
Reserved	0x00 701F	1	Reserved
PCLKCR3	0x00 7020	1	Peripheral Clock Control Register 3
PLLCR	0x00 7021	1	PLL Control Register
SCSR	0x00 7022	1	System Control and Status Register
WDCNTR	0x00 7023	1	Watchdog Counter Register
Reserved	0x00 7024	1	Reserved
WDKEY	0x00 7025	1	Watchdog Reset Key Register
Reserved	0x00 7026 – 0x00 7028	3	Reserved
WDCR	0x00 7029	1	Watchdog Control Register
Reserved	0x00 702A – 0x00 702D	4	Reserved
MAPCNF	0x00 702E	1	ePWM/HRPWM Re-map Register

8.6.1 OSC and PLL Block

Figure 8-30 shows the OSC and PLL block.

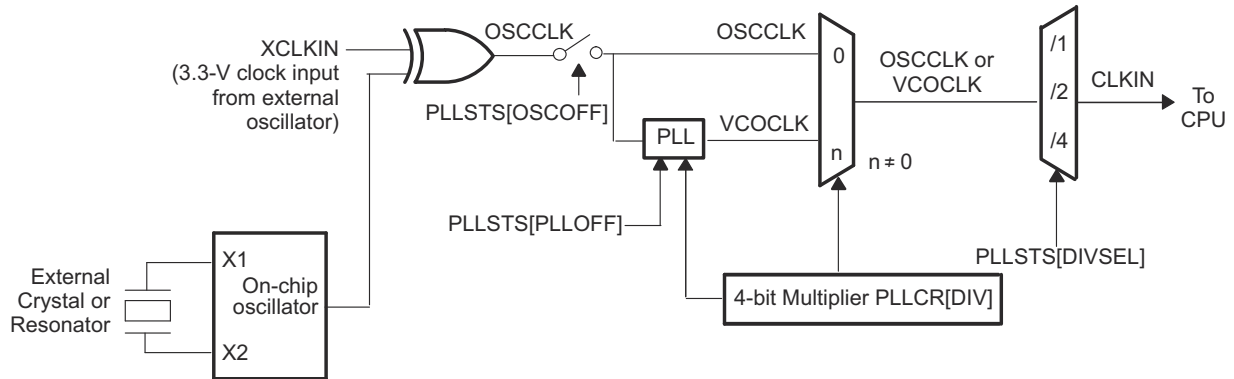


Figure 8-30. OSC and PLL Block Diagram

The on-chip oscillator circuit enables a crystal/resonator to be attached to the 2833x/2823x devices using the X1 and X2 pins. If the on-chip oscillator is not used, an external oscillator can be used in either one of the following configurations:

- A 3.3-V external oscillator can be directly connected to the XCLKIN pin. The X2 pin should be left unconnected and the X1 pin tied low. The logic-high level in this case should not exceed V_{DDIO} .
- A 1.9-V (1.8-V for 100 MHz devices) external oscillator can be directly connected to the X1 pin. The X2 pin should be left unconnected and the XCLKIN pin tied low. The logic-high level in this case should not exceed V_{DD} .

The three possible input-clock configurations are shown in Figure 8-31 to Figure 8-33.

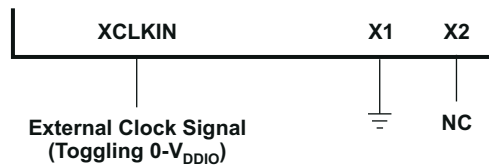


Figure 8-31. Using a 3.3-V External Oscillator

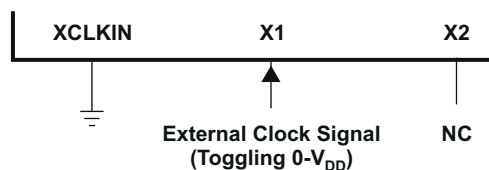


Figure 8-32. Using a 1.9-V External Oscillator

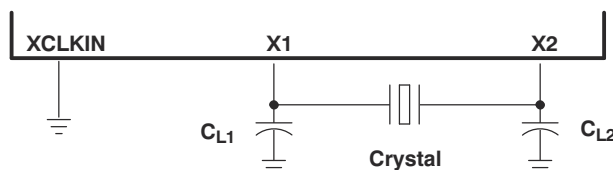


Figure 8-33. Using the Internal Oscillator

8.6.1.1 External Reference Oscillator Clock Option

The typical specifications for the external quartz crystal for a frequency of 30 MHz follow:

- Fundamental mode, parallel resonant

- C_L (load capacitance) = 12 pF
- $C_{L1} = C_{L2} = 24$ pF
- $C_{shunt} = 6$ pF
- ESR range = 25 to 40 Ω

TI recommends that customers have the resonator/crystal vendor characterize the operation of their device with the DSC chip. The resonator/crystal vendor has the equipment and expertise to tune the tank circuit. The vendor can also advise the customer regarding the proper tank component values that will produce proper start-up and stability over the entire operating range.

8.6.1.2 PLL-Based Clock Module

The devices have an on-chip, PLL-based clock module. This module provides all the necessary clocking signals for the device, as well as control for low-power mode entry. The PLL has a 4-bit ratio control PLLCR[DIV] to select different CPU clock rates. The watchdog module should be disabled before writing to the PLLCR register. It can be re-enabled (if need be) after the PLL module has stabilized, which takes 131072 OSCCLK cycles. The input clock and PLLCR[DIV] bits should be chosen in such a way that the output frequency of the PLL (VCOCLK) does not exceed 300 MHz.

Table 8-36. PLL Settings ⁽¹⁾

PLLCR[DIV] VALUE ^{(2) (3)}	PLLSTS[DIVSEL] = 0 or 1	SYSCLKOUT (CLKIN)	
		PLLSTS[DIVSEL] = 2	PLLSTS[DIVSEL] = 3 ⁽⁴⁾
0000 (PLL bypass)	OSCCLK/4 (Default)	OSCCLK/2	OSCCLK
0001	(OSCCLK * 1)/4	(OSCCLK * 1)/2	–
0010	(OSCCLK * 2)/4	(OSCCLK * 2)/2	–
0011	(OSCCLK * 3)/4	(OSCCLK * 3)/2	–
0100	(OSCCLK * 4)/4	(OSCCLK * 4)/2	–
0101	(OSCCLK * 5)/4	(OSCCLK * 5)/2	–
0110	(OSCCLK * 6)/4	(OSCCLK * 6)/2	–
0111	(OSCCLK * 7)/4	(OSCCLK * 7)/2	–
1000	(OSCCLK * 8)/4	(OSCCLK * 8)/2	–
1001	(OSCCLK * 9)/4	(OSCCLK * 9)/2	–
1010	(OSCCLK * 10)/4	(OSCCLK * 10)/2	–
1011 – 1111	Reserved	Reserved	Reserved

- (1) By default, PLLSTS[DIVSEL] is configured for /4. (The boot ROM changes this to /2.) PLLSTS[DIVSEL] must be 0 before writing to the PLLCR and should be changed only after PLLSTS[PLLLOCKS] = 1.
- (2) The PLL control register (PLLCR) and PLL Status Register (PLLSTS) are reset to their default state by the \bar{XRS} signal or a watchdog reset only. A reset issued by the debugger or the missing clock detect logic have no effect.
- (3) This register is EALLOW protected. See the [TMS320x2833x, 2823x system control and interrupts reference guide](#) for more information.
- (4) A divider at the output of the PLL is necessary to ensure correct duty cycle of the clock fed to the core. For this reason, a DIVSEL value of 3 is not allowed when the PLL is active.

Table 8-37. CLKIN Divide Options

PLLSTS [DIVSEL]	CLKIN DIVIDE
0	/4
1	/4
2	/2
3	/1 ⁽¹⁾

(1) This mode can be used only when the PLL is bypassed or off.

The PLL-based clock module provides two modes of operation:

- Crystal-operation - This mode allows the use of an external crystal/resonator to provide the time base to the device.
- External clock source operation - This mode allows the internal oscillator to be bypassed. The device clocks are generated from an external clock source input on the X1 or the XCLKIN pin.

Table 8-38. Possible PLL Configuration Modes

PLL MODE	REMARKS	PLLSTS[DIVSEL]	CLKIN AND SYSCLOCKOUT
PLL Off	Invoked by the user setting the PLOFF bit in the PLLSTS register. The PLL block is disabled in this mode. This can be useful to reduce system noise and for low power operation. The PLLCR register must first be set to 0x0000 (PLL Bypass) before entering this mode. The CPU clock (CLKIN) is derived directly from the input clock on either X1/X2, X1 or XCLKIN.	0, 1 2 3	OSCCLK/4 OSCCLK/2 OSCCLK/1
PLL Bypass	PLL Bypass is the default PLL configuration upon power up or after an external reset (XRS). This mode is selected when the PLLCR register is set to 0x0000 or while the PLL locks to a new frequency after the PLLCR register has been modified. In this mode, the PLL itself is bypassed but the PLL is not turned off.	0, 1 2 3	OSCCLK/4 OSCCLK/2 OSCCLK/1
PLL Enable	Achieved by writing a nonzero value n into the PLLCR register. Upon writing to the PLLCR the device will switch to PLL Bypass mode until the PLL locks.	0, 1 2	OSCCLK*n/4 OSCCLK*n/2

8.6.1.3 Loss of Input Clock

In PLL-enabled and PLL-bypass mode, if the input clock OSCCLK is removed or absent, the PLL will still issue a limp-mode clock. The limp-mode clock continues to clock the CPU and peripherals at a typical frequency of 1–5 MHz. Limp mode is not specified to work from power up, only after input clocks have been present initially. In PLL bypass mode, the limp mode clock from the PLL is automatically routed to the CPU if the input clock is removed or absent.

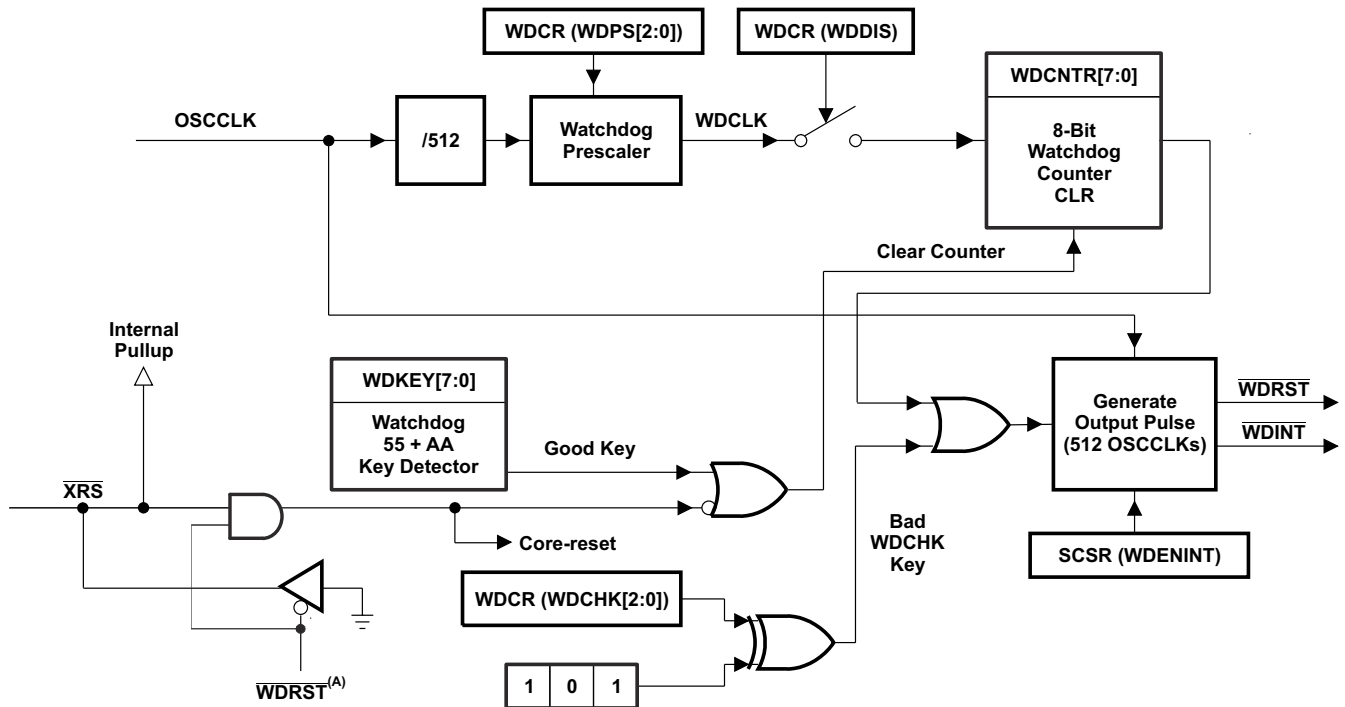
Normally, when the input clocks are present, the watchdog counter decrements to initiate a watchdog reset or WDINT interrupt. However, when the external input clock fails, the watchdog counter stops decrementing (that is, the watchdog counter does not change with the limp-mode clock). In addition to this, the device will be reset and the “Missing Clock Status” (MCLKSTS) bit will be set. These conditions could be used by the application firmware to detect the input clock failure and initiate necessary shut-down procedure for the system.

Note

Applications in which the correct CPU operating frequency is absolutely critical should implement a mechanism by which the DSC will be held in reset, should the input clocks ever fail. For example, an R-C circuit may be used to trigger the XRS pin of the DSC, should the capacitor ever get fully charged. An I/O pin may be used to discharge the capacitor on a periodic basis to prevent it from getting fully charged. Such a circuit would also help detect failure of the flash memory and the V_{DD3VFL} rail.

8.6.2 Watchdog Block

The watchdog block on the 2833x/2823x device is similar to the one used on the 240x and 281x devices. The watchdog module generates an output pulse, 512 oscillator clocks wide (OSCCLK), whenever the 8-bit watchdog up counter has reached its maximum value. To prevent this, the user disables the counter or the software must periodically write a 0x55 + 0xAA sequence into the watchdog key register which will reset the watchdog counter. Figure 8-34 shows the various functional blocks within the watchdog module.



A. The $\overline{\text{WDRST}}$ signal is driven low for 512 OSCCLK cycles.

Figure 8-34. Watchdog Module

The $\overline{\text{WDINT}}$ signal enables the watchdog to be used as a wakeup from IDLE/STANDBY mode.

In STANDBY mode, all peripherals are turned off on the device. The only peripheral that remains functional is the watchdog. The WATCHDOG module will run off OSCCLK. The $\overline{\text{WDINT}}$ signal is fed to the LPM block so that it can wake the device from STANDBY (if enabled). See Section 8.7, Low-Power Modes Block, for more details.

In IDLE mode, the $\overline{\text{WDINT}}$ signal can generate an interrupt to the CPU, through the PIE, to take the CPU out of IDLE mode.

In HALT mode, this feature cannot be used because the oscillator (and PLL) are turned off and hence so is the WATCHDOG.

8.7 Low-Power Modes Block

The low-power modes on the 2833x/2823x devices are similar to the 240x devices. [Table 8-39](#) summarizes the various modes.

Table 8-39. Low-Power Modes

MODE	LPMCR0(1:0)	OSCCLK	CLKIN	SYSCCLKOUT	EXIT ⁽¹⁾
IDLE	00	On	On	On ⁽²⁾	\overline{XRS} , watchdog interrupt, any enabled interrupt, XNMI
STANDBY	01	On (watchdog still running)	Off	Off	\overline{XRS} , watchdog interrupt, GPIO Port A signal, debugger ⁽³⁾ , XNMI
HALT	1X	Off (oscillator and PLL turned off, watchdog not functional)	Off	Off	\overline{XRS} , GPIO port A signal, XNMI, debugger ⁽³⁾

- (1) The EXIT column lists which signals or under what conditions the low-power mode will be exited. A low signal, on any of the signals, will exit the low power condition. This signal must be kept low long enough for an interrupt to be recognized by the device. Otherwise, the IDLE mode will not be exited and the device will go back into the indicated low-power mode.
- (2) The IDLE mode on the C28x behaves differently than on the 24x/240x. On the C28x, the clock output from the CPU (SYSCCLKOUT) is still functional while on the 24x/240x the clock is turned off.
- (3) On the C28x, the JTAG port can still function even if the CPU clock (CLKIN) is turned off.

The various low-power modes operate as follows:

IDLE mode:	This mode is exited by any enabled interrupt or an XNMI that is recognized by the processor. The LPM block performs no tasks during this mode as long as the LPMCR0(LPM) bits are set to 0,0.
STANDBY mode:	Any GPIO port A signal (GPIO[31:0]) can wake the device from STANDBY mode. The user must select which signal(s) will wake the device in the GPIOLPMSEL register. The selected signal(s) are also qualified by the OSCCLK before waking the device. The number of OSCCLKs is specified in the LPMCR0 register.
HALT mode:	Only the \overline{XRS} and any GPIO port A signal (GPIO[31:0]) can wake the device from HALT mode. The user selects the signal in the GPIOLPMSEL register.

Note

The low-power modes do not affect the state of the output pins (PWM pins included). They will be in whatever state the code left them in when the IDLE instruction was executed. See the [TMS320x2833x, 2823x system control and interrupts reference guide](#) for more details.

9 Applications, Implementation, and Layout

Note

Information in the following applications sections is not part of the TI component specification, and TI does not warrant its accuracy or completeness. TI's customers are responsible for determining suitability of components for their purposes, as well as validating and testing their design implementation to confirm system functionality.

9.1 TI Design or Reference Design

TI Designs Reference Design Library is a robust reference design library spanning analog, embedded processor, and connectivity. Created by TI experts to help you jump start your system design, all TI Designs include schematic or block diagrams, BOMs, and design files to speed your time to market. Search and download designs at [TIDesigns](#).

[EtherCAT Interface for High Performance MCU Reference Design](#)

This reference design demonstrates how to connect a C2000 Delfino MCU to an EtherCAT® ET1100 slave controller. The interface supports both demultiplexed address/data busses for maximum bandwidth and minimum latency and a SPI mode for low pin-count EtherCAT communication. The slave controller offloads the processing of 100Mbps Ethernet-based fieldbus communication, thereby eliminating CPU overhead for these tasks.

[C2000 Resolver to Digital Conversion Kit](#)

This is a motherboard-style Resolver to Digital conversion kit used to experiment with various C2000 microcontrollers for software-based resolver to digital conversion using on-chip ADCs. The Resolver Kit also allows interface to resolvers and inverter control processor.

10 Device and Documentation Support

10.1 Getting Started

This section gives a brief overview of the steps to take when first developing for a C28x device. For more detail on each of these steps, see the following:

- [C2000 Real-Time Control MCUs – Getting started](#)
- [C2000 Real-Time Control MCUs – Tools & software](#)
- [Motor drive and control](#)
- [Digital power](#)

10.2 Device and Development Support Tool Nomenclature

To designate the stages in the product development cycle, TI assigns prefixes to the part numbers of all TMS320™ DSC devices and support tools. Each TMS320™ DSP commercial family member has one of three prefixes: TMX, TMP, or TMS (for example, **TMS** 320F28335). Texas Instruments recommends two of three possible prefix designators for its support tools: TMDX and TMDS. These prefixes represent evolutionary stages of product development from engineering prototypes (TMX/TMDX) through fully qualified production devices/tools (TMS/TMDS).

Device development evolutionary flow:

TMX	Experimental device that is not necessarily representative of the final device's electrical specifications
TMP	Final silicon die that conforms to the device's electrical specifications but has not completed quality and reliability verification
TMS	Fully qualified production device

Support tool development evolutionary flow:

TMDX	Development-support product that has not yet completed Texas Instruments internal qualification testing
TMDS	Fully qualified development-support product

TMX and TMP devices and TMDX development-support tools are shipped against the following disclaimer: "Developmental product is intended for internal evaluation purposes."

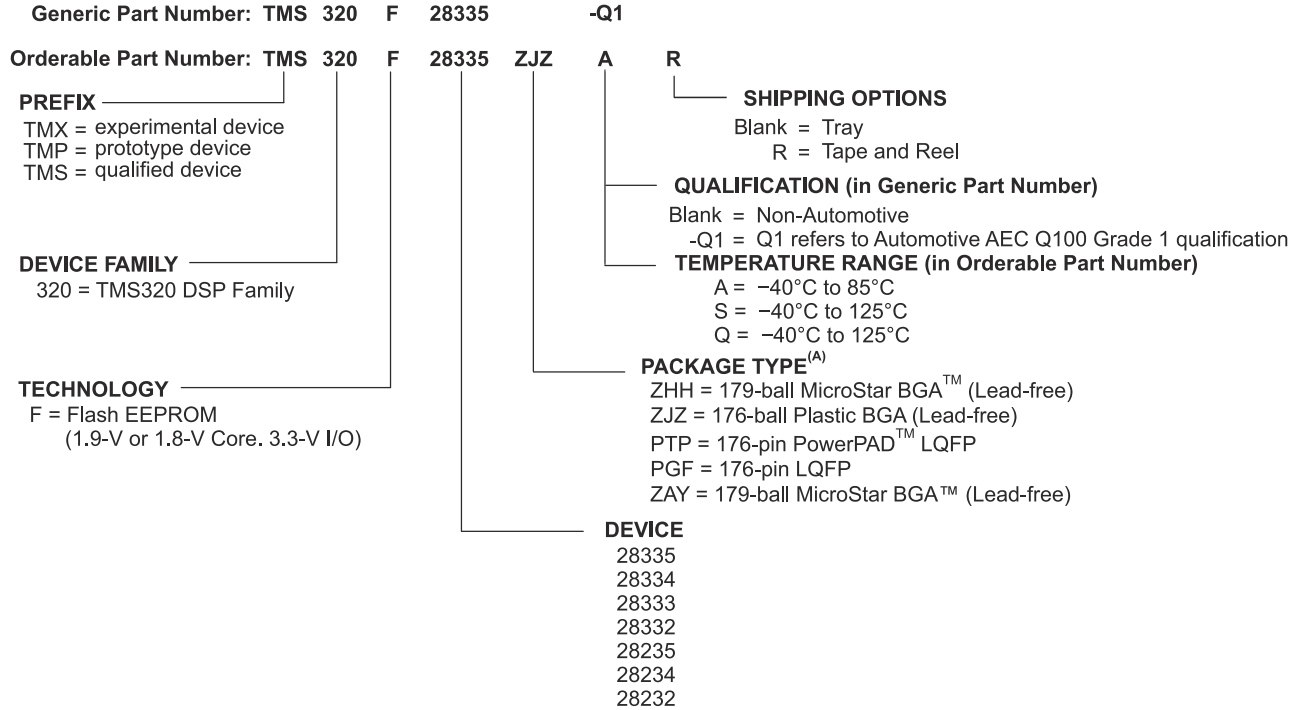
TMS devices and TMDS development-support tools have been characterized fully, and the quality and reliability of the device have been demonstrated fully. TI's standard warranty applies.

Predictions show that prototype devices (TMX or TMP) have a greater failure rate than the standard production devices. Texas Instruments recommends that these devices not be used in any production system because their expected end-use failure rate still is undefined. Only qualified production devices are to be used.

TI device nomenclature also includes a suffix with the device family name. This suffix indicates the package type (for example, ZJZ) and temperature range (for example, A). [Figure 10-1](#) provides a legend for reading the complete device name for any family member.

For device part numbers and further ordering information, see the Package Option Addendum of this document, the TI website (www.ti.com), or contact your TI sales representative.

For additional description of the device nomenclature markings on the die, see the [TMS320F2833x, TMS320F2823x DSC silicon errata](#).



A. BGA = Ball Grid Array LQFP = Low-Profile Quad Flatpack

Figure 10-1. Example of F2833x, F2823x Device Nomenclature

10.3 Tools and Software

TI offers an extensive line of development tools. Some of the tools and software to evaluate the performance of the device, generate code, and develop solutions are listed below. To view all available tools and software for C2000™ real-time control MCUs, visit the [C2000 MCU Tools and Software](#) page.

Design Kits and Evaluation Modules

[C2000 DesignDRIVE Development Kit for Industrial Motor Control](#)

DesignDRIVE is a single hardware and software platform that makes it easy to develop and evaluate solutions for many industrial drive, motor control, and servo topologies. DesignDRIVE offers support for a wide variety of motor types, sensing technologies, encoder standards and communications networks, as well as easy expansion to develop with industrial communications and functional safety topologies, thus enabling more comprehensive, integrated drive system solutions. Based on the real-time control architecture of TI's C2000 microcontrollers (MCUs), DesignDRIVE is ideal for the development of industrial inverter and servo drives used in robotics, computer numerical control machinery (CNC), elevators, materials conveyance and other industrial manufacturing applications.

[C2000 Delfino MCUs F28377S LaunchPad Development Kit](#)

The C2000™ Delfino™ MCUs LaunchPad™ development kit is an inexpensive evaluation platform that provides designers with a low-cost development kit for high-performance digital control applications. This tool provides a great starting point for development of many high-end digital control applications such as industrial drives and automation; power line communications; solar inverters; and more.

[TMS320F28335 Experimenter Kit](#)

C2000™ MCU Experimenter Kits provide a robust hardware prototyping platform for real-time, closed loop control development with C2000 microcontrollers. This platform is a great tool to customize and prove-out solutions for many common power electronics applications, including motor control, digital power supplies, solar inverters, digital LED lighting, precision sensing, and more.

Software

[C2000 DesignDRIVE Software for Industrial Drives and Motor Control](#)

The DesignDRIVE platform combines software solutions with DesignDRIVE Development Kits to make it easy to develop and evaluate solutions for many industrial drive and servo topologies. DesignDRIVE offers support for a wide variety of motor types, sensing technologies, position sensors and communications networks, including specific examples for vector control of motors, incorporating current, speed and position loops, to help developers jumpstart their evaluation and development. Based on the real-time control architecture of TI's C2000™ microcontrollers (MCUs), DesignDRIVE is ideal for the development of industrial inverter and servo drives used in robotics, computer numerical control machinery (CNC), elevators, materials conveyance and other industrial manufacturing applications.

[C2000 SafeTI™ 60730 SW Packages](#)

The C2000 MCU SafeTI-60730 Software package includes UL-certified, as recognized components, SafeTI™ software packages that help make designing for functional safety consumer applications with TI C2000™ real-time control microcontrollers (MCUs) easier and faster. The software in these SafeTI software packages is UL-certified, as recognized components, to the UL 1998:2008 Class 1 standard, and is compliant with IEC 60730-1:2010 Class B, both of which include home appliances, arc detectors, power converters, power tools, e-bikes, and many others. SafeTI software packages are available for select TI C2000 MCUs and can be embedded in applications using these MCUs to help customers simplify certification for functional safety-compliant consumer devices. Because of the similarity of the two standards, the IEC 60730 software libraries can also help assist customers developing consumer applications compliant with the IEC 60335-1:2010 standard.

[powerSUITE Digital Power Supply Software Frequency Response Analyzer Tool for C2000™ MCUs](#)

The Software Frequency Response Analyzer (SFRA) is one of several tools included in the powerSUITE Digital Power Supply Design Software Tools for C2000™ Microcontrollers. The SFRA includes a software library that enables developers to quickly measure the frequency response of their digital power converter. The SFRA library contains software functions that inject a frequency into the control loop and measure the response of the system using the C2000 MCUs' on-chip analog to digital converter (ADC). This process provides the plant frequency response characteristics and the open loop gain frequency response of the closed loop system. The user can then view the plant and open loop gain frequency response on a PC-based GUI. All of the frequency response data is exported into a CSV file, or optionally an Excel spreadsheet, which can then be used to design the compensation loop using the Compensation Designer.

[C2000Ware for C2000 MCUs](#)

C2000Ware for C2000™ microcontrollers is a cohesive set of development software and documentation designed to minimize software development time. From device-specific drivers and libraries to device peripheral examples, C2000Ware provides a solid foundation to begin development and evaluation of your product.

Development Tools

[C2000 Gang Programmer](#)

The C2000 Gang Programmer is a C2000 device programmer that can program up to eight identical C2000 devices at the same time. The C2000 Gang Programmer connects to a host PC using a standard RS-232 or USB connection and provides flexible programming options that allow the user to fully customize the process.

[Code Composer Studio™ \(CCS\) Integrated Development Environment \(IDE\) for C2000 Microcontrollers](#)

Code Composer Studio is an integrated development environment (IDE) that supports TI's Microcontroller and Embedded Processors portfolio. Code Composer Studio comprises a suite of tools used to develop and debug embedded applications. It includes an optimizing C/C++ compiler, source code editor, project build environment, debugger, profiler, and many other features. The intuitive IDE provides a single user interface taking the user through each step of the application development flow. Familiar tools and interfaces allow users to get started faster than ever before. Code Composer Studio combines the advantages of the Eclipse software framework with advanced embedded debug capabilities from TI resulting in a compelling feature-rich development environment for embedded developers.

[Uniflash Standalone Flash Tool](#)

CCS Uniflash is a standalone tool used to program on-chip flash memory on TI MCUs.

Models

Various models are available for download from the product Tools & Software pages. These include I/O Buffer Information Specification (IBIS) Models and Boundary-Scan Description Language (BSDL) Models. To view all available models, visit the Models section of the Tools & Software page for each device.

10.4 Documentation Support

To receive notification of documentation updates, navigate to the device product folder on [ti.com](#). In the upper right corner, click on *Alert me* to register and receive a weekly digest of any product information that has changed. For change details, review the revision history included in any revised document.

The current documentation that describes the processor, related peripherals, and other technical collateral is listed below.

Errata

[TMS320F2833x, TMS320F2823x DSC silicon errata](#) describes the advisories and usage notes for different versions of silicon.

CPU User's Guides

[TMS320C28x CPU and Instruction Set Reference Guide](#) describes the central processing unit (CPU) and the assembly language instructions of the TMS320C28x fixed-point digital signal processors (DSPs). It also describes emulation features available on these DSPs.

[TMS320C28x Extended Instruction Sets Technical Reference Manual](#) describes the architecture, pipeline, and instruction set of the TMU, VCU-II, and FPU accelerators.

Peripheral Guides

[C2000 Real-Time Control MCU Peripherals Reference Guide](#) describes the peripheral reference guides of the 28x digital signal processors (DSPs).

[TMS320x2833x, 2823x system control and interrupts reference guide](#) describes the various interrupts and system control features of the 2833x and 2823x digital signal controllers (DSCs).

[TMS320x2833x Analog-to-Digital Converter \(ADC\) module reference guide](#) describes how to configure and use the on-chip ADC module, which is a 12-bit pipelined ADC.

[TMS320x2833x, 2823x DSC External Interface \(XINTF\) reference guide](#) describes the XINTF, which is a nonmultiplexed asynchronous bus, as it is used on the 2833x and 2823x devices.

[TMS320x2833x, 2823x Boot ROM reference guide](#) describes the purpose and features of the bootloader (factory-programmed boot-loading software) and provides examples of code. It also describes other contents of the device on-chip boot ROM and identifies where all of the information is located within that memory.

[TMS320F2833x/2823x Multichannel Buffered Serial Port \(McBSP\) reference guide](#) describes the McBSP available on the 2833x and 2823x devices. The McBSPs allow direct interface between a DSP and other devices in a system.

[TMS320x2833x, 2823x Direct Memory Access \(DMA\) module reference guide](#) describes the DMA on the 2833x and 2823x devices.

[TMS320x2833x, 2823x Enhanced Pulse Width Modulator \(ePWM\) module reference guide](#) describes the main areas of the enhanced pulse width modulator that include digital motor control, switch mode power supply control, UPS (uninterruptible power supplies), and other forms of power conversion.

[TMS320x2833x, 2823x High Resolution Pulse Width Modulator \(HRPWM\) reference guide](#) describes the operation of the high-resolution extension to the pulse width modulator (HRPWM).

[TMS320x2833x, 2823x Enhanced Capture \(eCAP\) module reference guide](#) describes the enhanced capture module. It includes the module description and registers.

[TMS320x2833x, 2823x Enhanced Quadrature Encoder Pulse \(eQEP\) module reference guide](#) describes the eQEP module, which is used for interfacing with a linear or rotary incremental encoder to get position, direction, and speed information from a rotating machine in high-performance motion and position control systems. It includes the module description and registers.

[TMS320F2833x, 2823x Enhanced Controller Area Network \(eCAN\) reference guide](#) describes the eCAN that uses established protocol to communicate serially with other controllers in electrically noisy environments.

[TMS320x2833x, 2823x Serial Communications Interface \(SCI\) reference guide](#) describes the SCI, which is a two-wire asynchronous serial port, commonly known as a UART. The SCI modules support digital communications between the CPU and other asynchronous peripherals that use the standard nonreturn-to-zero (NRZ) format.

[TMS320x2833x, 2823x Serial Peripheral Interface \(SPI\) reference guide](#) describes the SPI - a high-speed synchronous serial input/output (I/O) port - that allows a serial bit stream of programmed length (one to sixteen bits) to be shifted into and out of the device at a programmed bit-transfer rate.

[TMS320x2833x, 2823x Inter-Integrated Circuit \(I2C\) module reference guide](#) describes the features and operation of the inter-integrated circuit (I2C) module.

Tools Guides

[TMS320C28x Assembly Language Tools v20.2.0.LTS User's Guide](#) describes the assembly language tools (assembler and other tools used to develop assembly language code), assembler directives, macros, common object file format, and symbolic debugging directives for the TMS320C28x device.

[TMS320C28x Optimizing C/C++ Compiler v20.2.0.LTS User's Guide](#) describes the TMS320C28x C/C++ compiler. This compiler accepts ANSI standard C/C++ source code and produces TMS320 DSP assembly language source code for the TMS320C28x device.

[TMS320C28x DSP/BIOS 5.x Application Programming Interface \(API\) Reference Guide](#) describes development using DSP/BIOS.

Application Reports

The [SMT & packaging application notes](#) website lists documentation on TI's surface mount technology (SMT) and application notes on a variety of packaging-related topics.

[TMS320x281x to TMS320x2833x or 2823x migration overview](#) describes how to migrate from the 281x device design to 2833x or 2823x designs.

[TMS320x280x to TMS320x2833x or 2823x migration overview](#) describes how to migrate from a 280x device design to 2833x or 2823x designs.

[TMS320C28x FPU Primer](#) provides an overview of the floating-point unit (FPU) in the C2000™ Delfino microcontroller devices.

[Running an Application from Internal Flash Memory on the TMS320F28xxx DSP](#) covers the requirements needed to properly configure application software for execution from on-chip flash memory. Requirements for both DSP/BIOS and non-DSP/BIOS projects are presented. Example code projects are included.

[Programming TMS320x28xx and TMS320x28xxx Peripherals in C/C++](#) explores a hardware abstraction layer implementation to make C/C++ coding easier on 28x DSPs. This method is compared to traditional #define macros and topics of code efficiency and special case registers are also addressed.

[Using PWM Output as a Digital-to-Analog Converter on a TMS320F280x Digital Signal Controller](#) presents a method for using the on-chip pulse width modulated (PWM) signal generators on the TMS320F280x family of digital signal controllers as a digital-to-analog converter (DAC).

[TMS320F280x Digital Signal Controller USB Connectivity using the TUSB3410 USB-to-UART Bridge Chip](#) presents hardware connections as well as software preparation and operation of the development system using a simple communication echo program.

[Using the Enhanced Quadrature Encoder Pulse \(eQEP\) Module in TMS320x280x, 28xxx as a Dedicated Capture](#) provides a guide for the use of the eQEP module as a dedicated capture unit and is applicable to the TMS320x280x, 28xxx family of processors.

[Using the ePWM Module for 0% - 100% Duty Cycle Control](#) provides a guide for the use of the ePWM module to provide 0% to 100% duty cycle control and is applicable to the TMS320x280x family of processors.

[TMS320x280x and TMS320F2801x ADC calibration](#) describes a method for improving the absolute accuracy of the 12-bit ADC found on the TMS320x280x and TMS320F2801x devices. Inherent gain and offset errors affect the absolute accuracy of the ADC. The methods described in this report can improve the absolute accuracy of the ADC to levels better than 0.5%. This application report has an option to download an example program that executes from RAM on the F2808 EzDSP.

[Online Stack Overflow Detection on the TMS320C28x DSP](#) presents the methodology for online stack overflow detection on the TMS320C28x DSP. C-source code is provided that contains functions for implementing the overflow detection on both DSP/BIOS and non-DSP/BIOS applications.

[PowerPAD™ thermally enhanced package](#) focuses on the specifics of integrating a PowerPAD™ package into the PCB design.

[Semiconductor Packing Methodology](#) describes the packing methodologies employed to prepare semiconductor devices for shipment to end users.

[Calculating Useful Lifetimes of Embedded Processors](#) provides a methodology for calculating the useful lifetime of TI embedded processors (EPs) under power when used in electronic systems. It is aimed at general engineers who wish to determine if the reliability of the TI EP meets the end system reliability requirement.

[Semiconductor and IC Package Thermal Metrics](#) describes traditional and new thermal metrics and puts their application in perspective with respect to system-level junction temperature estimation.

[An Introduction to IBIS \(I/O Buffer Information Specification\) Modeling](#) discusses various aspects of IBIS including its history, advantages, compatibility, model generation flow, data requirements in modeling the input/output structures and future trends.

[Serial flash programming of C2000™ microcontrollers](#) discusses using a flash kernel and ROM loaders for serial programming a device.

10.5 Support Resources

[TI E2E™ support forums](#) are an engineer's go-to source for fast, verified answers and design help — straight from the experts. Search existing answers or ask your own question to get the quick design help you need.

Linked content is provided "AS IS" by the respective contributors. They do not constitute TI specifications and do not necessarily reflect TI's views; see TI's [Terms of Use](#).

10.6 Trademarks

Code Composer Studio™, DSP/BIOS™, MicroStar BGA™, TMS320C2000™, Delfino™, C2000™, Piccolo™, PowerPAD™, TI E2E™ are trademarks of Texas Instruments.

EtherCAT® is a registered trademark of Beckhoff Automation GmbH, Germany.

All trademarks are the property of their respective owners.

10.7 Electrostatic Discharge Caution



This integrated circuit can be damaged by ESD. Texas Instruments recommends that all integrated circuits be handled with appropriate precautions. Failure to observe proper handling and installation procedures can cause damage.

ESD damage can range from subtle performance degradation to complete device failure. Precision integrated circuits may be more susceptible to damage because very small parametric changes could cause the device not to meet its published specifications.

10.8 Glossary

[TI Glossary](#) This glossary lists and explains terms, acronyms, and definitions.

11 Mechanical, Packaging, and Orderable Information

11.1 Packaging Information

The following pages include mechanical, packaging, and orderable information. This information is the most current data available for the designated devices. This data is subject to change without notice and revision of this document. For browser-based versions of this data sheet, refer to the left-hand navigation.

For packages with a thermal pad, the MECHANICAL DATA figure shows a generic thermal pad without dimensions. For the actual thermal pad dimensions that are applicable to this device, see the THERMAL PAD MECHANICAL DATA figure.

To learn more about TI packaging, visit the [Packaging information](#) website.

PACKAGING INFORMATION

Orderable Device	Status (1)	Package Type	Package Drawing	Pins	Package Qty	Eco Plan (2)	Lead finish/ Ball material (6)	MSL Peak Temp (3)	Op Temp (°C)	Device Marking (4/5)	Samples
TMS320F28232PGFA	ACTIVE	LQFP	PGF	176	40	RoHS & Green	NIPDAU	Level-3-260C-168 HR	-40 to 85	F28232PGFA TMS320	Samples
TMS320F28232PTPQ	ACTIVE	HLQFP	PTP	176	40	RoHS & Green	NIPDAU	Level-4-260C-72 HR	-40 to 125	TMS320 F28232PTPQ	Samples
TMS320F28232PTPS	ACTIVE	HLQFP	PTP	176	40	RoHS & Green	NIPDAU	Level-4-260C-72 HR	-40 to 125	TMS320 F28232PTPS	Samples
TMS320F28232ZAYA	ACTIVE	NFBGA	ZAY	179	160	RoHS & Green	SNAGCU	Level-3-260C-168 HR	-40 to 85	TMS320 F28232ZAYA	Samples
TMS320F28234PGFA	ACTIVE	LQFP	PGF	176	40	RoHS & Green	NIPDAU	Level-3-260C-168 HR	-40 to 85	F28234PGFA TMS320	Samples
TMS320F28234PTPQ	ACTIVE	HLQFP	PTP	176	40	RoHS & Green	NIPDAU	Level-4-260C-72 HR	-40 to 125	TMS320 F28234PTPQ	Samples
TMS320F28234PTPS	ACTIVE	HLQFP	PTP	176	40	RoHS & Green	NIPDAU	Level-4-260C-72 HR	-40 to 125	TMS320 F28234PTPS	Samples
TMS320F28234ZAYA	ACTIVE	NFBGA	ZAY	179	160	RoHS & Green	SNAGCU	Level-3-260C-168 HR	-40 to 85	TMS320 F28234ZAYA	Samples
TMS320F28234ZJZA	ACTIVE	BGA	ZJZ	176	126	RoHS & Green	SNAGCU	Level-3-260C-168 HR	-40 to 85	320F28234ZJZA TMS	Samples
TMS320F28234ZJZQ	ACTIVE	BGA	ZJZ	176	126	RoHS & Green	SNAGCU	Level-3-260C-168 HR	-40 to 125	320F28234ZJZQ TMS	Samples
TMS320F28234ZJZS	ACTIVE	BGA	ZJZ	176	126	RoHS & Green	SNAGCU	Level-3-260C-168 HR	-40 to 125	320F28234ZJZS TMS	Samples
TMS320F28235PGFA	ACTIVE	LQFP	PGF	176	40	RoHS & Green	NIPDAU	Level-3-260C-168 HR	-40 to 85	F28235PGFA TMS320	Samples
TMS320F28235PTPQ	ACTIVE	HLQFP	PTP	176	40	RoHS & Green	NIPDAU	Level-4-260C-72 HR	-40 to 125	TMS320 F28235PTPQ	Samples
TMS320F28235PTPS	ACTIVE	HLQFP	PTP	176	40	RoHS & Green	NIPDAU	Level-4-260C-72 HR	-40 to 125	TMS320 F28235PTPS	Samples
TMS320F28235ZJZA	ACTIVE	BGA	ZJZ	176	126	RoHS & Green	SNAGCU	Level-3-260C-168 HR	-40 to 85	320F28235ZJZA TMS	Samples
TMS320F28235ZJZQ	ACTIVE	BGA	ZJZ	176	126	RoHS & Green	SNAGCU	Level-3-260C-168 HR	-40 to 125	320F28235ZJZQ TMS	Samples
TMS320F28235ZJZQR	ACTIVE	BGA	ZJZ	176	1000	RoHS & Green	SNAGCU	Level-3-260C-168 HR	-40 to 125	320F28235ZJZQ	Samples

Orderable Device	Status (1)	Package Type	Package Drawing	Pins	Package Qty	Eco Plan (2)	Lead finish/ Ball material (6)	MSL Peak Temp (3)	Op Temp (°C)	Device Marking (4/5)	Samples
										TMS	
TMS320F28235ZJZS	ACTIVE	BGA	ZJZ	176	126	RoHS & Green	SNAGCU	Level-3-260C-168 HR	-40 to 125	320F28235ZJZS TMS	Samples
TMS320F28332PGFA	ACTIVE	LQFP	PGF	176	40	RoHS & Green	NIPDAU	Level-3-260C-168 HR	-40 to 85	F28332PGFA TMS320	Samples
TMS320F28332PTPS	ACTIVE	HLQFP	PTP	176	40	RoHS & Green	NIPDAU	Level-4-260C-72 HR	-40 to 125	TMS320 F28332PTPS	Samples
TMS320F28333PGFA	ACTIVE	LQFP	PGF	176	40	RoHS & Green	NIPDAU	Level-3-260C-168 HR	-40 to 85	F28333PGFA TMS320	Samples
TMS320F28334PGFA	ACTIVE	LQFP	PGF	176	40	RoHS & Green	NIPDAU	Level-3-260C-168 HR	-40 to 85	F28334PGFA TMS320	Samples
TMS320F28334PTPS	ACTIVE	HLQFP	PTP	176	40	RoHS & Green	NIPDAU	Level-4-260C-72 HR		TMS320 F28334PTPS	Samples
TMS320F28334ZAYA	ACTIVE	NFBGA	ZAY	179	160	RoHS & Green	SNAGCU	Level-3-260C-168 HR	-40 to 85	TMS320 F28334ZAYA	Samples
TMS320F28334ZJZA	ACTIVE	BGA	ZJZ	176	126	RoHS & Green	SNAGCU	Level-3-260C-168 HR	-40 to 85	320F28334ZJZA TMS	Samples
TMS320F28334ZJZS	ACTIVE	BGA	ZJZ	176	126	RoHS & Green	SNAGCU	Level-3-260C-168 HR	-40 to 125	320F28334ZJZS TMS	Samples
TMS320F28335PGFA	ACTIVE	LQFP	PGF	176	40	RoHS & Green	NIPDAU	Level-3-260C-168 HR	-40 to 85	F28335PGFA TMS320	Samples
TMS320F28335PTPQ	ACTIVE	HLQFP	PTP	176	40	RoHS & Green	NIPDAU	Level-4-260C-72 HR	-40 to 125	TMS320 F28335PTPQ	Samples
TMS320F28335PTPS	ACTIVE	HLQFP	PTP	176	40	RoHS & Green	NIPDAU	Level-4-260C-72 HR	-40 to 125	TMS320 F28335PTPS	Samples
TMS320F28335ZAYA	ACTIVE	NFBGA	ZAY	179	160	RoHS & Green	SNAGCU	Level-3-260C-168 HR	-40 to 85	TMS320 F28335ZAYA	Samples
TMS320F28335ZAYAR	ACTIVE	NFBGA	ZAY	179	1000	RoHS & Green	SNAGCU	Level-3-260C-168 HR	-40 to 85	TMS320 F28335ZAYA	Samples
TMS320F28335ZJZA	ACTIVE	BGA	ZJZ	176	126	RoHS & Green	SNAGCU	Level-3-260C-168 HR	-40 to 85	320F28335ZJZA TMS	Samples
TMS320F28335ZJZQ	ACTIVE	BGA	ZJZ	176	126	RoHS & Green	SNAGCU	Level-3-260C-168 HR	-40 to 125	320F28335ZJZQ TMS	Samples
TMS320F28335ZJZQR	ACTIVE	BGA	ZJZ	176	1000	RoHS & Green	SNAGCU	Level-3-260C-168 HR	-40 to 125	320F28335ZJZQ TMS	Samples

Orderable Device	Status (1)	Package Type	Package Drawing	Pins	Package Qty	Eco Plan (2)	Lead finish/ Ball material (6)	MSL Peak Temp (3)	Op Temp (°C)	Device Marking (4/5)	Samples
TMS320F28335ZJZS	ACTIVE	BGA	ZJZ	176	126	RoHS & Green	SNAGCU	Level-3-260C-168 HR	-40 to 125	320F28335ZJZS TMS	Samples

(1) The marketing status values are defined as follows:

ACTIVE: Product device recommended for new designs.

LIFEBUY: TI has announced that the device will be discontinued, and a lifetime-buy period is in effect.

NRND: Not recommended for new designs. Device is in production to support existing customers, but TI does not recommend using this part in a new design.

PREVIEW: Device has been announced but is not in production. Samples may or may not be available.

OBSOLETE: TI has discontinued the production of the device.

(2) **RoHS:** TI defines "RoHS" to mean semiconductor products that are compliant with the current EU RoHS requirements for all 10 RoHS substances, including the requirement that RoHS substance do not exceed 0.1% by weight in homogeneous materials. Where designed to be soldered at high temperatures, "RoHS" products are suitable for use in specified lead-free processes. TI may reference these types of products as "Pb-Free".

RoHS Exempt: TI defines "RoHS Exempt" to mean products that contain lead but are compliant with EU RoHS pursuant to a specific EU RoHS exemption.

Green: TI defines "Green" to mean the content of Chlorine (Cl) and Bromine (Br) based flame retardants meet JS709B low halogen requirements of <=1000ppm threshold. Antimony trioxide based flame retardants must also meet the <=1000ppm threshold requirement.

(3) MSL, Peak Temp. - The Moisture Sensitivity Level rating according to the JEDEC industry standard classifications, and peak solder temperature.

(4) There may be additional marking, which relates to the logo, the lot trace code information, or the environmental category on the device.

(5) Multiple Device Markings will be inside parentheses. Only one Device Marking contained in parentheses and separated by a "~" will appear on a device. If a line is indented then it is a continuation of the previous line and the two combined represent the entire Device Marking for that device.

(6) Lead finish/Ball material - Orderable Devices may have multiple material finish options. Finish options are separated by a vertical ruled line. Lead finish/Ball material values may wrap to two lines if the finish value exceeds the maximum column width.

Important Information and Disclaimer:The information provided on this page represents TI's knowledge and belief as of the date that it is provided. TI bases its knowledge and belief on information provided by third parties, and makes no representation or warranty as to the accuracy of such information. Efforts are underway to better integrate information from third parties. TI has taken and continues to take reasonable steps to provide representative and accurate information but may not have conducted destructive testing or chemical analysis on incoming materials and chemicals. TI and TI suppliers consider certain information to be proprietary, and thus CAS numbers and other limited information may not be available for release.

In no event shall TI's liability arising out of such information exceed the total purchase price of the TI part(s) at issue in this document sold by TI to Customer on an annual basis.

OTHER QUALIFIED VERSIONS OF TMS320F28232, TMS320F28232-Q1, TMS320F28234, TMS320F28234-Q1, TMS320F28235, TMS320F28235-Q1, TMS320F28335, TMS320F28335-Q1 :

- Catalog : [TMS320F28232](#), [TMS320F28234](#), [TMS320F28235](#), [TMS320F28335](#)
- Automotive : [TMS320F28232-Q1](#), [TMS320F28234-Q1](#), [TMS320F28235-Q1](#), [TMS320F28335-Q1](#)

NOTE: Qualified Version Definitions:

- Catalog - TI's standard catalog product
- Automotive - Q100 devices qualified for high-reliability automotive applications targeting zero defects

TRAY


Chamfer on Tray corner indicates Pin 1 orientation of packed units.

*All dimensions are nominal

Device	Package Name	Package Type	Pins	SPQ	Unit array matrix	Max temperature (°C)	L (mm)	W (mm)	K0 (µm)	P1 (mm)	CL (mm)	CW (mm)
TMS320F28232PGFA	PGF	LQFP	176	40	4x10	150	315	135.9	7620	20.7	30.4	20.7
TMS320F28232ZAYA	ZAY	NFBGA	179	160	8 x 20	150	315	135.9	7620	15.4	11.2	19.65
TMS320F28234PGFA	PGF	LQFP	176	40	4x10	150	315	135.9	7620	20.7	30.4	20.7
TMS320F28234PTPQ	PTP	HLQFP	176	40	4x10	150	315	135.9	7620	20.7	30.4	20.7
TMS320F28234ZAYA	ZAY	NFBGA	179	160	8 x 20	150	315	135.9	7620	15.4	11.2	19.65
TMS320F28234ZJZA	ZJZ	BGA	176	126	7 X 18	150	315	135.9	7620	17.2	11.3	16.35
TMS320F28234ZJZS	ZJZ	BGA	176	126	7 X 18	150	315	135.9	7620	17.2	11.3	16.35
TMS320F28235PGFA	PGF	LQFP	176	40	4x10	150	315	135.9	7620	20.7	30.4	20.7
TMS320F28235PTPS	PTP	HLQFP	176	40	4x10	150	315	135.9	7620	20.7	30.4	20.7
TMS320F28235ZJZA	ZJZ	BGA	176	126	7 X 18	150	315	135.9	7620	17.2	11.3	16.35
TMS320F28235ZJZQ	ZJZ	BGA	176	126	7 X 18	150	315	135.9	7620	17.2	11.3	16.35
TMS320F28235ZJZS	ZJZ	BGA	176	126	7 X 18	150	315	135.9	7620	17.2	11.3	16.35
TMS320F28332PGFA	PGF	LQFP	176	40	4x10	150	315	135.9	7620	20.7	30.4	20.7
TMS320F28333PGFA	PGF	LQFP	176	40	4x10	150	315	135.9	7620	20.7	30.4	20.7
TMS320F28334PGFA	PGF	LQFP	176	40	4x10	150	315	135.9	7620	20.7	30.4	20.7
TMS320F28334PTPS	PTP	HLQFP	176	40	4x10	150	315	135.9	7620	20.7	30.4	20.7
TMS320F28334ZAYA	ZAY	NFBGA	179	160	8 x 20	150	315	135.9	7620	15.4	11.2	19.65

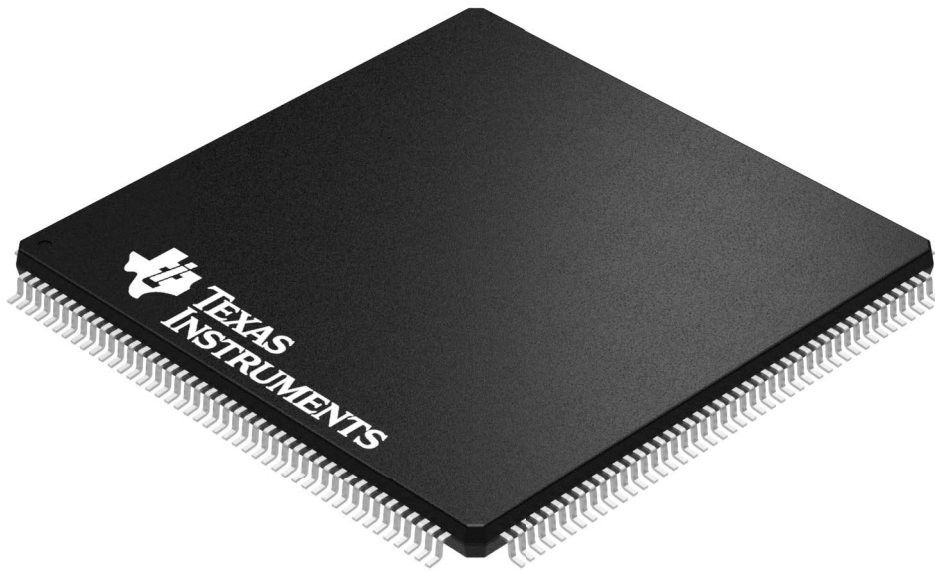
Device	Package Name	Package Type	Pins	SPQ	Unit array matrix	Max temperature (°C)	L (mm)	W (mm)	K0 (µm)	P1 (mm)	CL (mm)	CW (mm)
TMS320F28334ZJZA	ZJZ	BGA	176	126	7 X 18	150	315	135.9	7620	17.2	11.3	16.35
TMS320F28334ZJZS	ZJZ	BGA	176	126	7 X 18	150	315	135.9	7620	17.2	11.3	16.35
TMS320F28335PGFA	PGF	LQFP	176	40	4x10	150	315	135.9	7620	20.7	30.4	20.7
TMS320F28335PTPQ	PTP	HLQFP	176	40	4x10	150	315	135.9	7620	20.7	30.4	20.7
TMS320F28335PTPS	PTP	HLQFP	176	40	4x10	150	315	135.9	7620	20.7	30.4	20.7
TMS320F28335ZAYA	ZAY	NFBGA	179	160	8 x 20	150	315	135.9	7620	15.4	11.2	19.65
TMS320F28335ZJZA	ZJZ	BGA	176	126	7 X 18	150	315	135.9	7620	17.2	11.3	16.35
TMS320F28335ZJZQ	ZJZ	BGA	176	126	7 X 18	150	315	135.9	7620	17.2	11.3	16.35
TMS320F28335ZJZS	ZJZ	BGA	176	126	7 X 18	150	315	135.9	7620	17.2	11.3	16.35

GENERIC PACKAGE VIEW

PGF 176

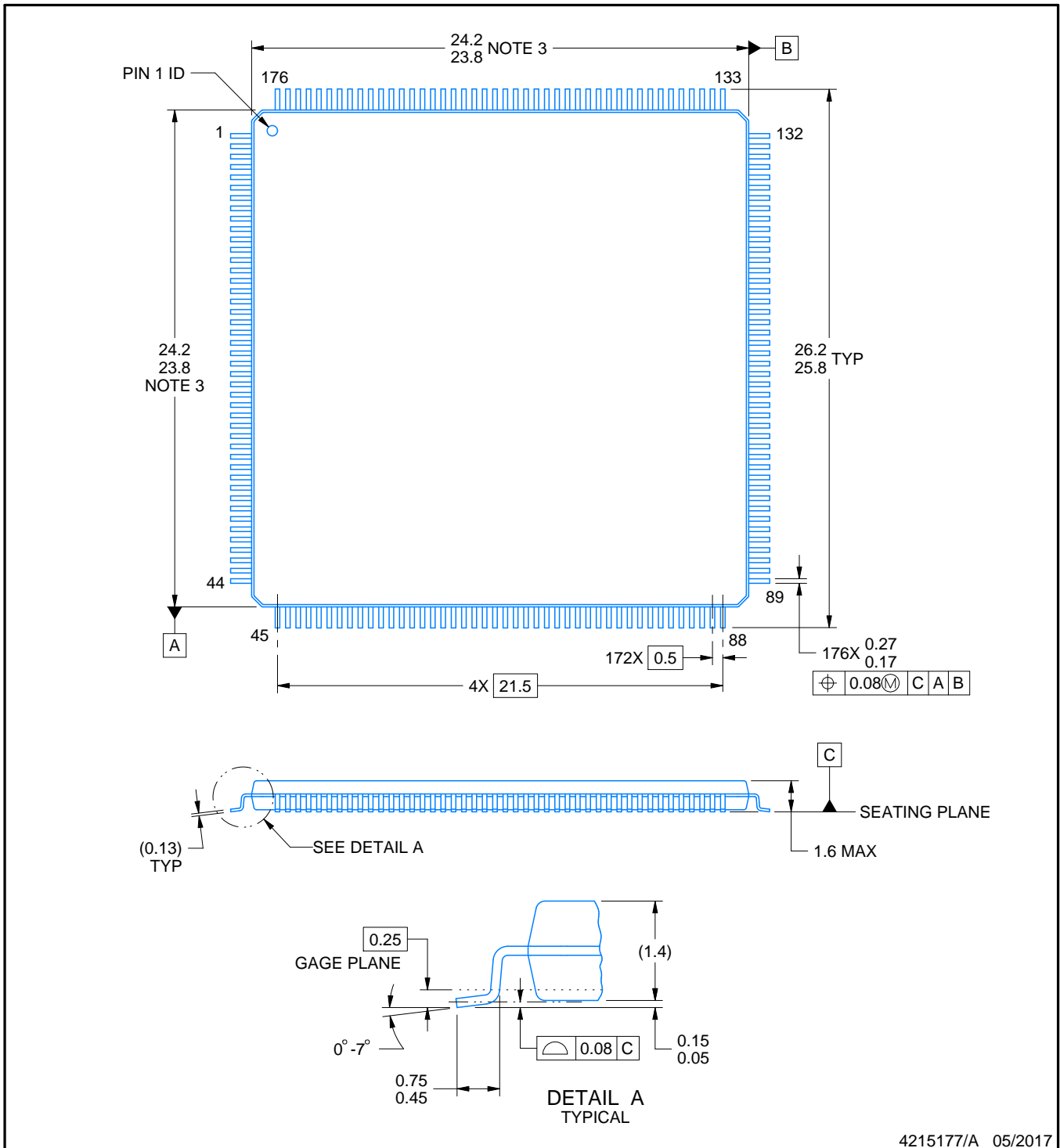
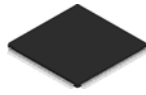
LQFP - 1.6 mm max height

PLASTIC QUAD FLATPACK



Images above are just a representation of the package family, actual package may vary.
Refer to the product data sheet for package details.

4040134/C



4215177/A 05/2017

NOTES:

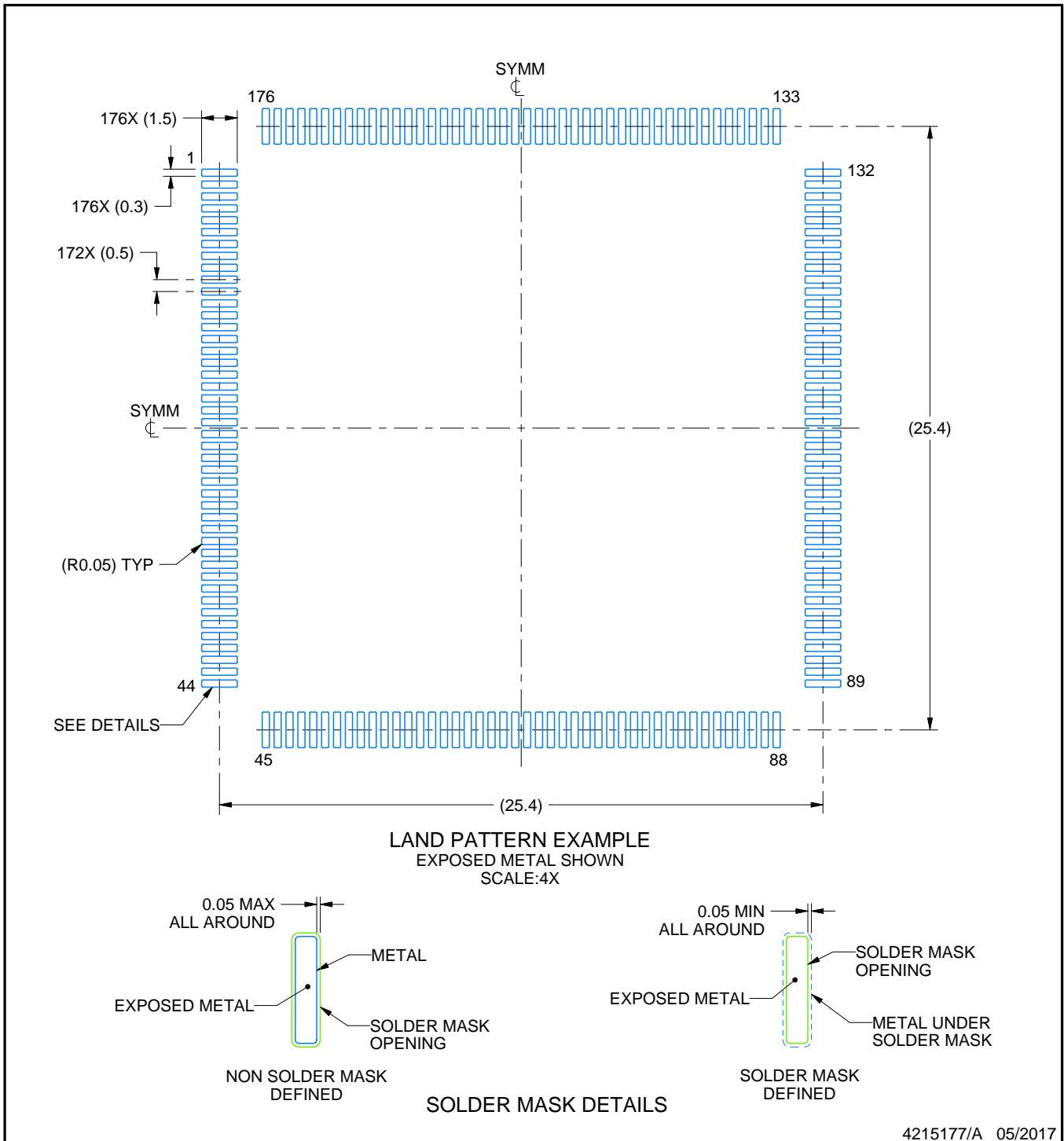
1. All linear dimensions are in millimeters. Any dimensions in parenthesis are for reference only. Dimensioning and tolerancing per ASME Y14.5M.
2. This drawing is subject to change without notice.
3. This dimension does not include mold flash, protrusions, or gate burrs.
4. Reference JEDEC registration MS-026.

EXAMPLE BOARD LAYOUT

PGF0176A

LQFP - 1.6 mm max height

PLASTIC QUAD FLATPACK



NOTES: (continued)

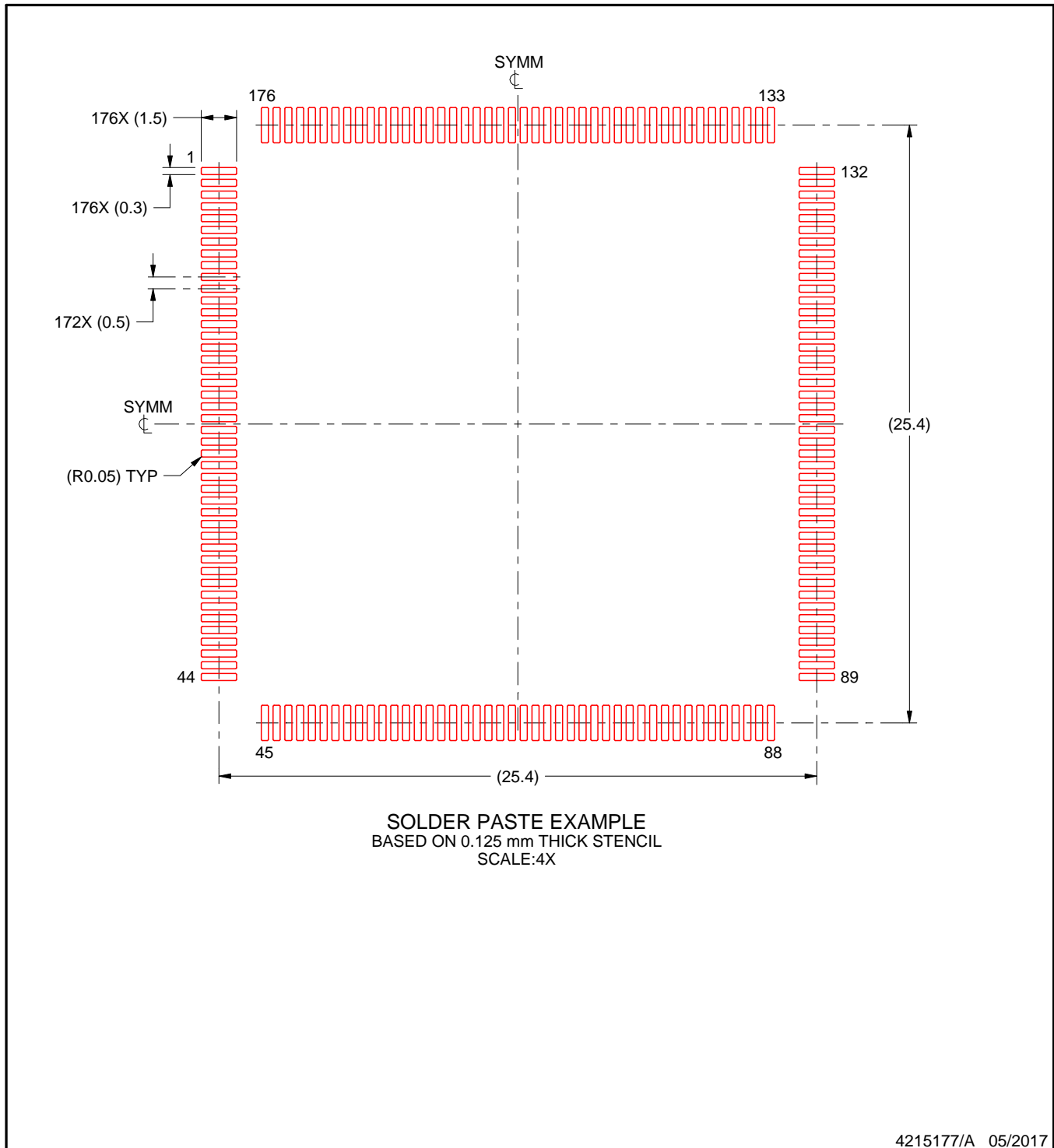
5. Publication IPC-7351 may have alternate designs.
6. Solder mask tolerances between and around signal pads can vary based on board fabrication site.

EXAMPLE STENCIL DESIGN

PGF0176A

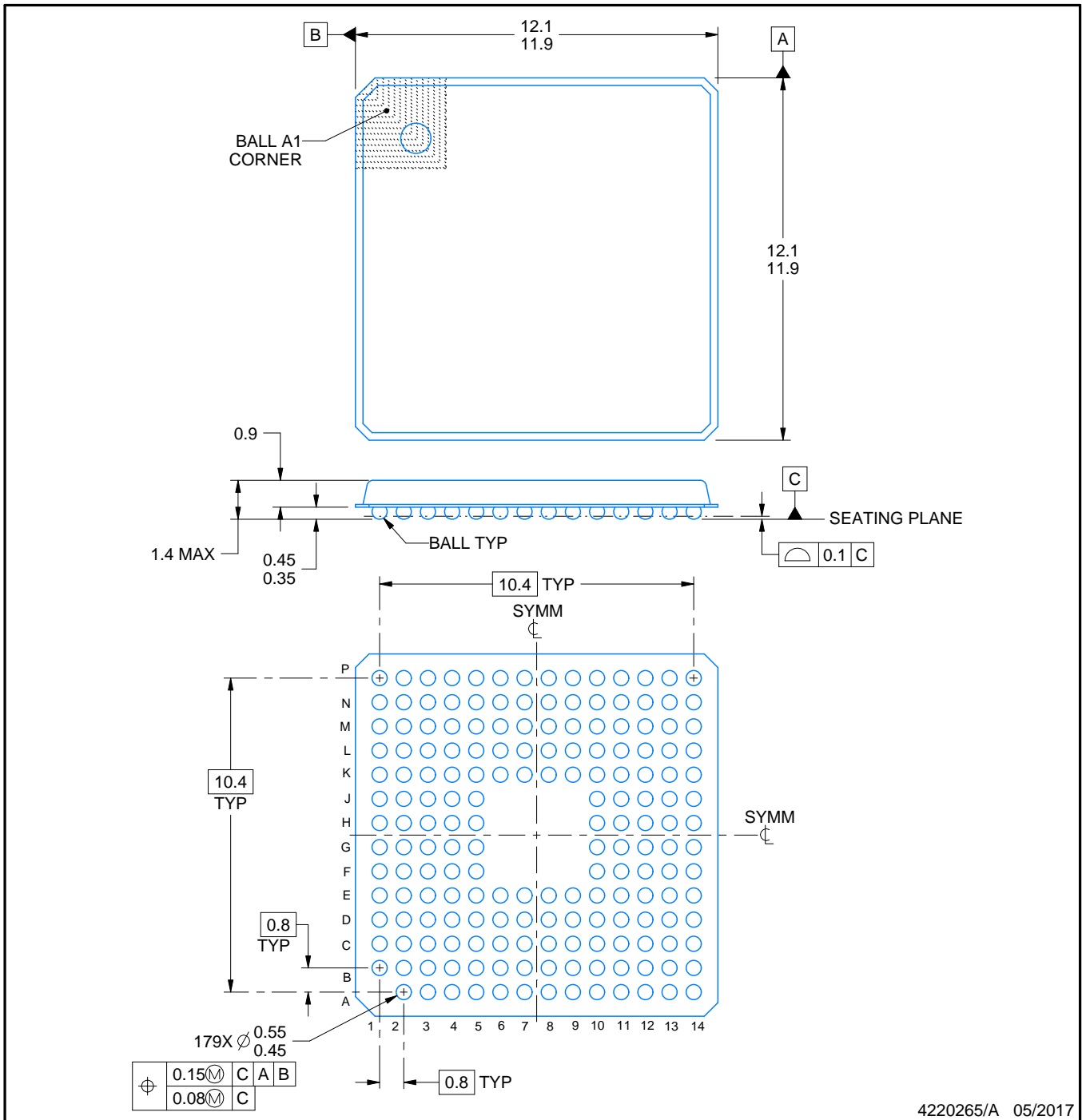
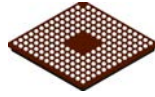
LQFP - 1.6 mm max height

PLASTIC QUAD FLATPACK



NOTES: (continued)

7. Laser cutting apertures with trapezoidal walls and rounded corners may offer better paste release. IPC-7525 may have alternate design recommendations.
8. Board assembly site may have different recommendations for stencil design.



NOTES:

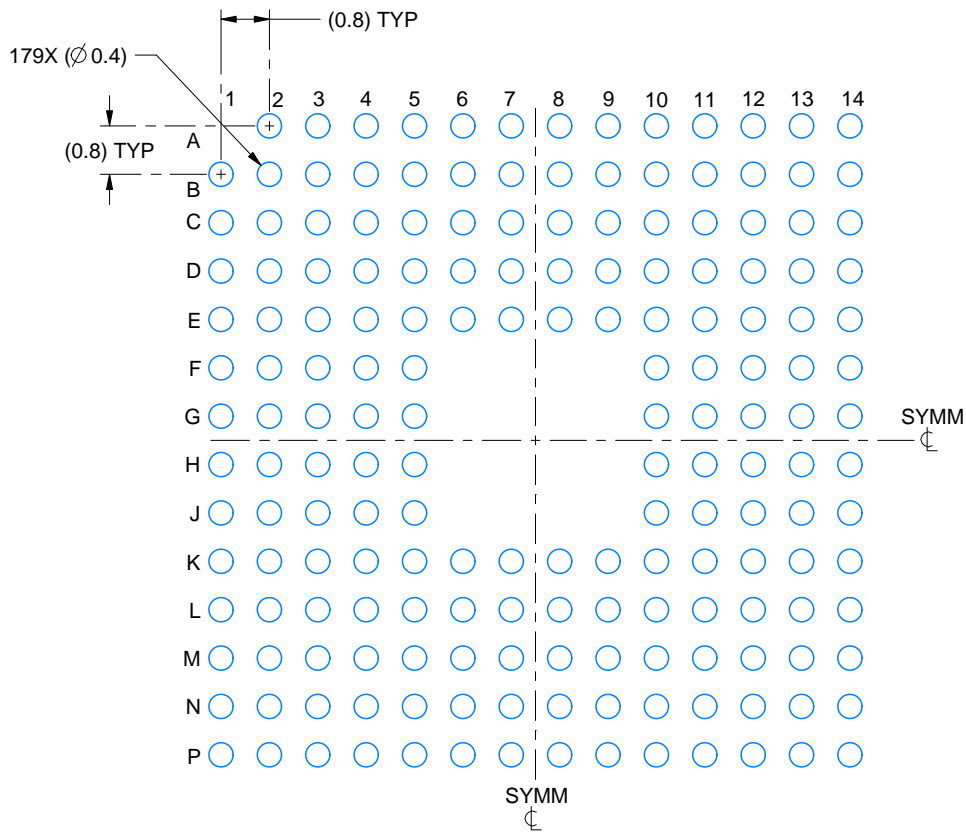
1. All linear dimensions are in millimeters. Any dimensions in parenthesis are for reference only. Dimensioning and tolerancing per ASME Y14.5M.
2. This drawing is subject to change without notice.
3. This is a Pb-free solder ball design.

EXAMPLE BOARD LAYOUT

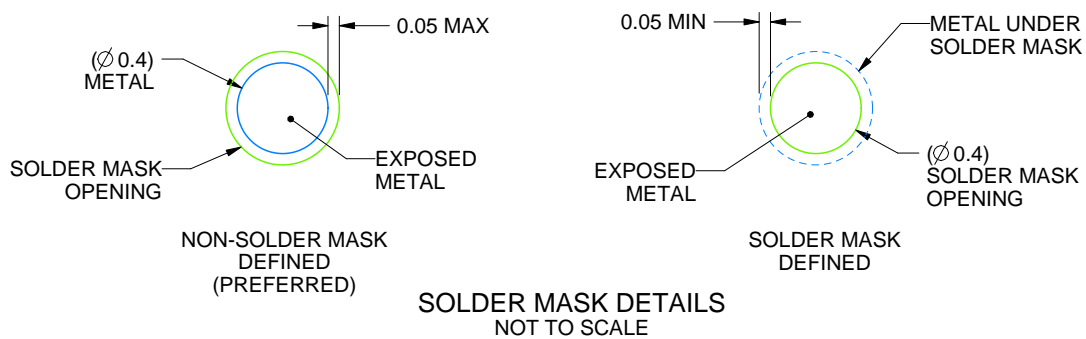
ZHH0179A

UBGA - 1.4 mm max height

BALL GRID ARRAY



LAND PATTERN EXAMPLE
EXPOSED METAL SHOWN
SCALE: 8X



SOLDER MASK DETAILS
NOT TO SCALE

4220265/A 05/2017

NOTES: (continued)

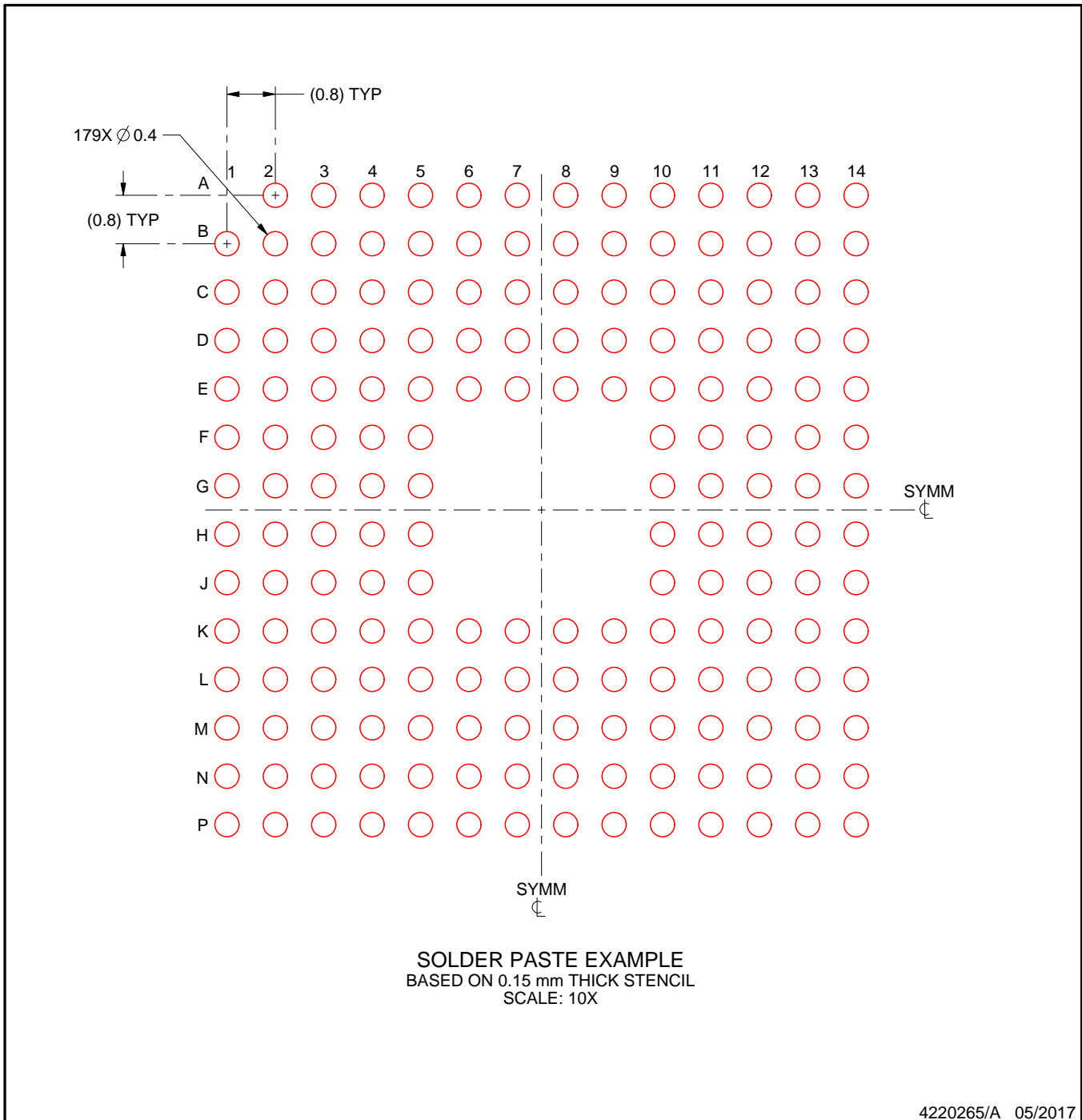
- Final dimensions may vary due to manufacturing tolerance considerations and also routing constraints. See Texas Instruments Literature No. SSZA002 (www.ti.com/lit/ssza002).

EXAMPLE STENCIL DESIGN

ZHH0179A

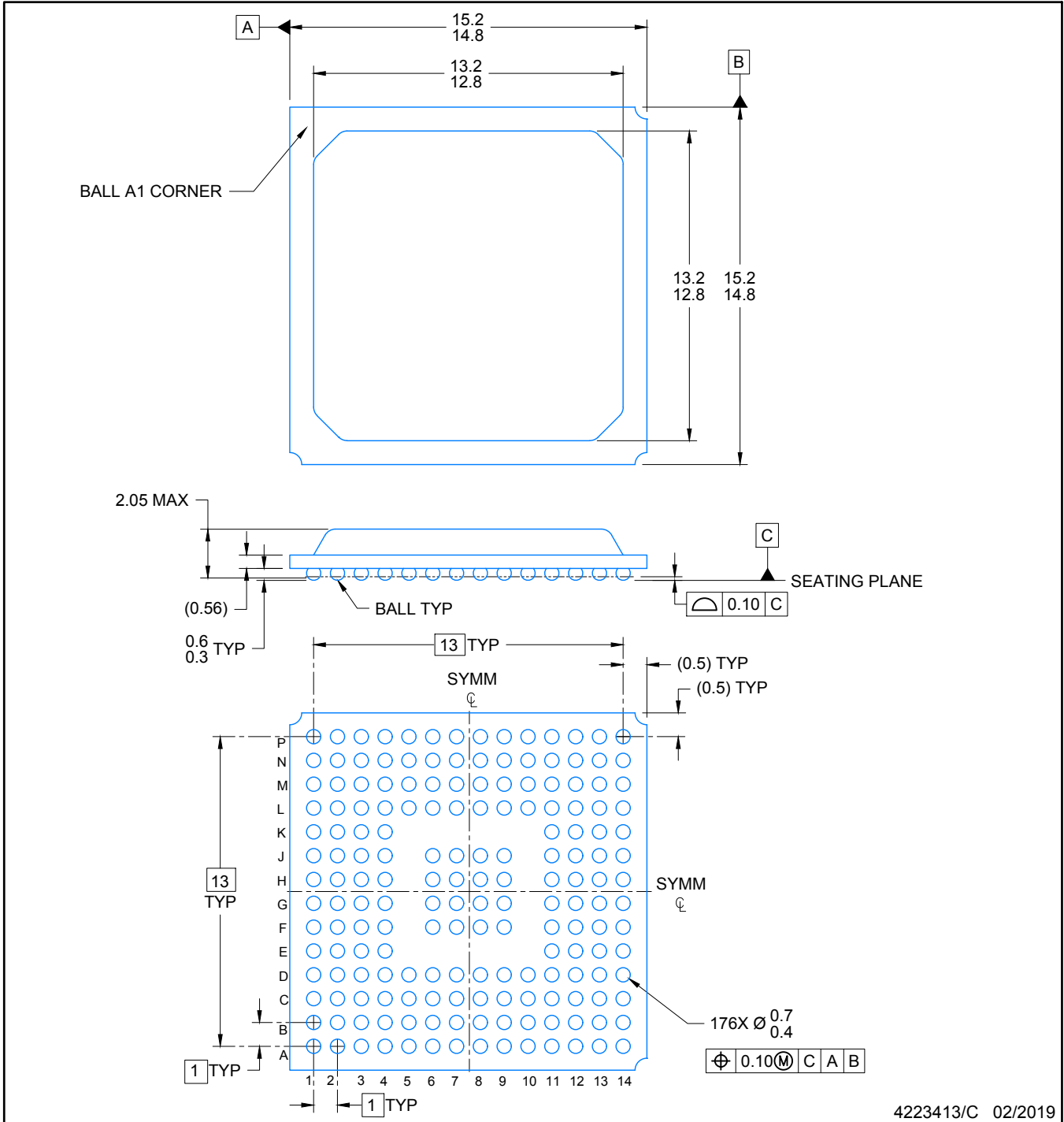
UBGA - 1.4 mm max height

BALL GRID ARRAY



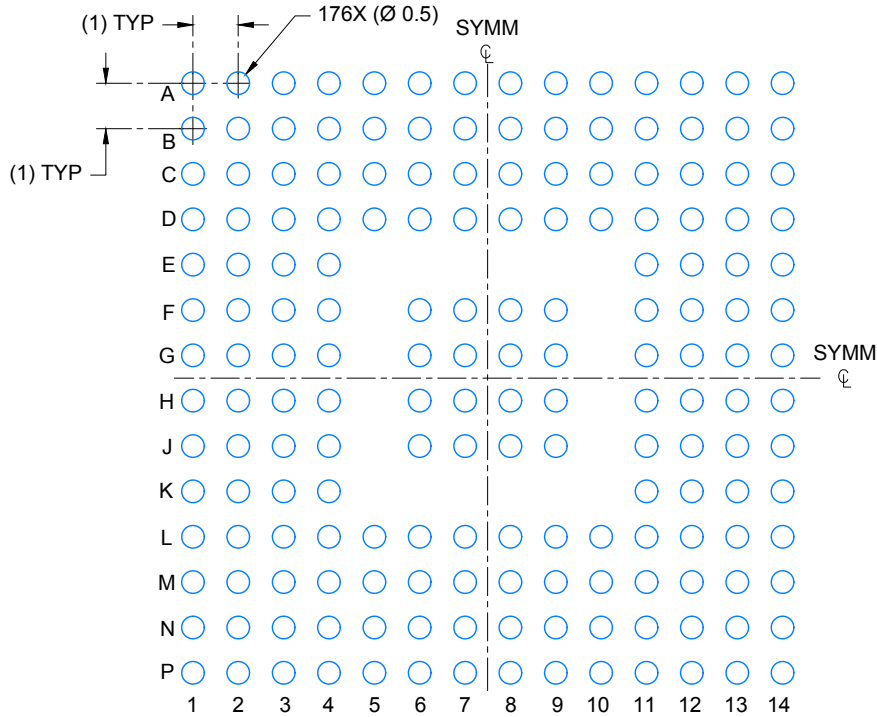
NOTES: (continued)

5. Laser cutting apertures with trapezoidal walls and rounded corners may offer better paste release.

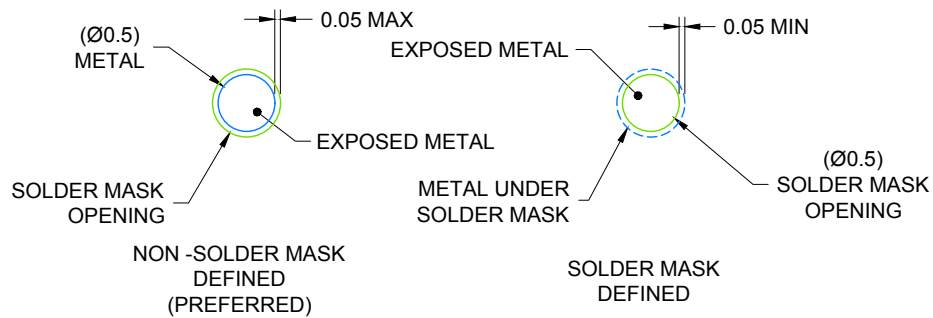


NOTES:

1. All linear dimensions are in millimeters. Any dimensions in parenthesis are for reference only. Dimensioning and tolerancing per ASME Y14.5M.
2. This drawing is subject to change without notice.
3. This is a lead-free solder ball design.



LAND PATTERN EXAMPLE
SCALE: 6X



SOLDER MASK DETAILS
NOT TO SCALE

4223413/C 02/2019

NOTES: (continued)

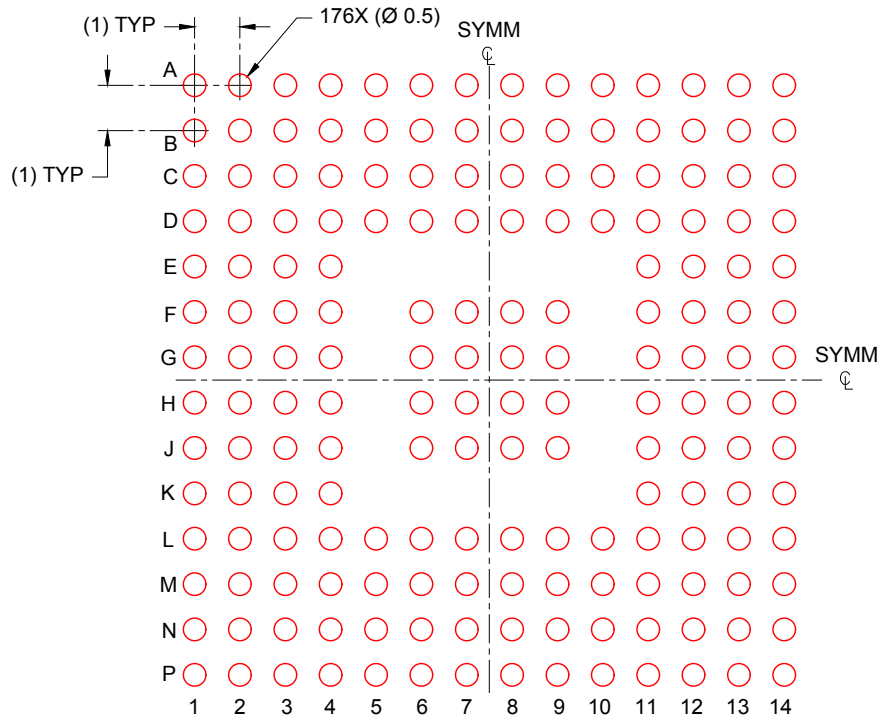
- Final dimension may vary due to manufacturing tolerance considerations and also routing constraints. For information, see Texas Instruments literature number SSZA002 (www.ti.com/lit/ssza002).

EXAMPLE STENCIL DESIGN

ZJZ0176A

PBGA - 2.05 mm max height

PLASTIC BALL GRID ARRAY

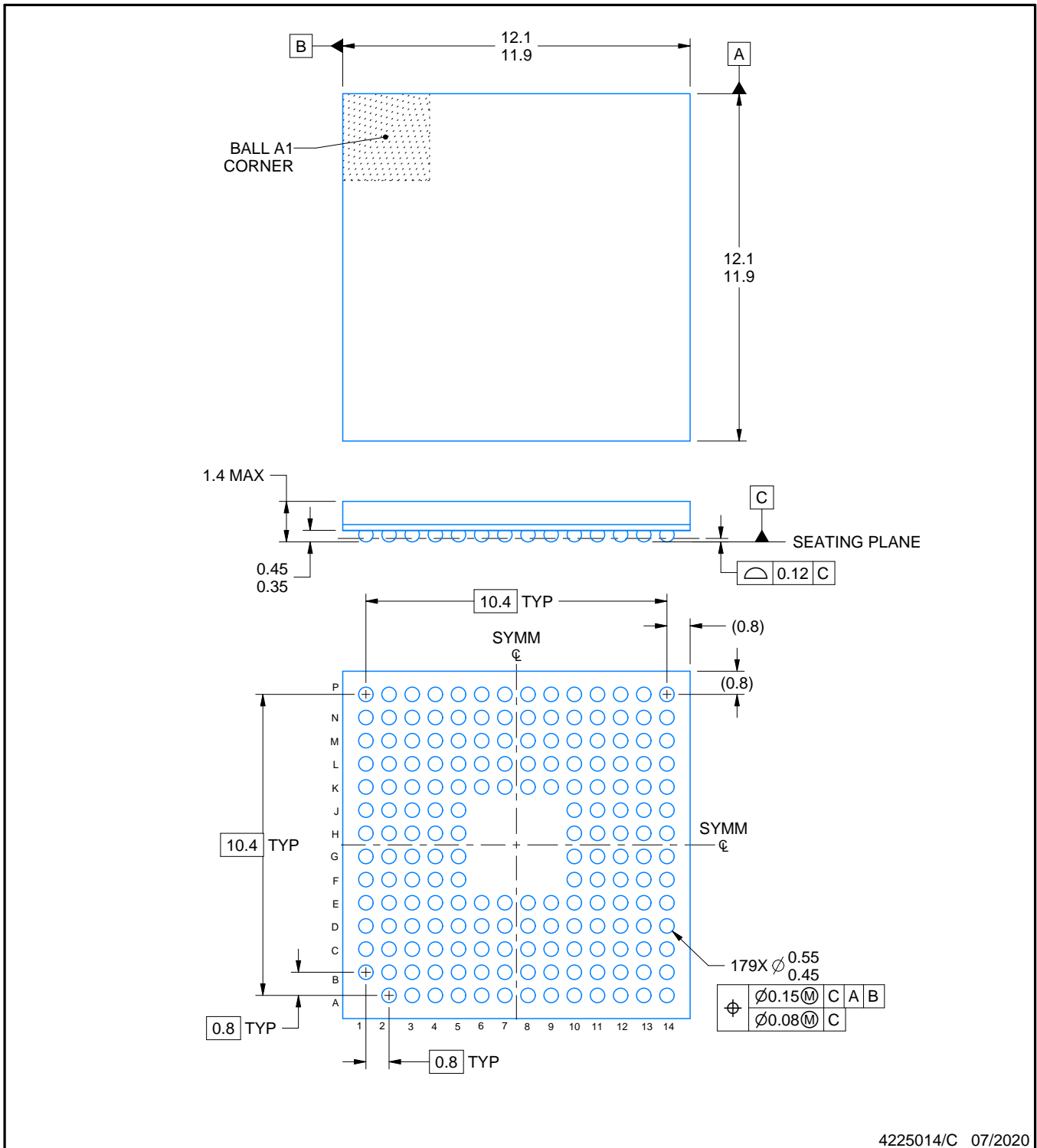
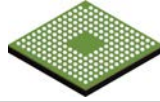


SOLDER PASTE EXAMPLE
BASED ON 0.15 mm THICK STENCIL
SCALE: 6X

4223413/C 02/2019

NOTES: (continued)

5. Laser cutting apertures with trapezoidal walls and rounded corners may offer better paste release.



4225014/C 07/2020

NOTES:

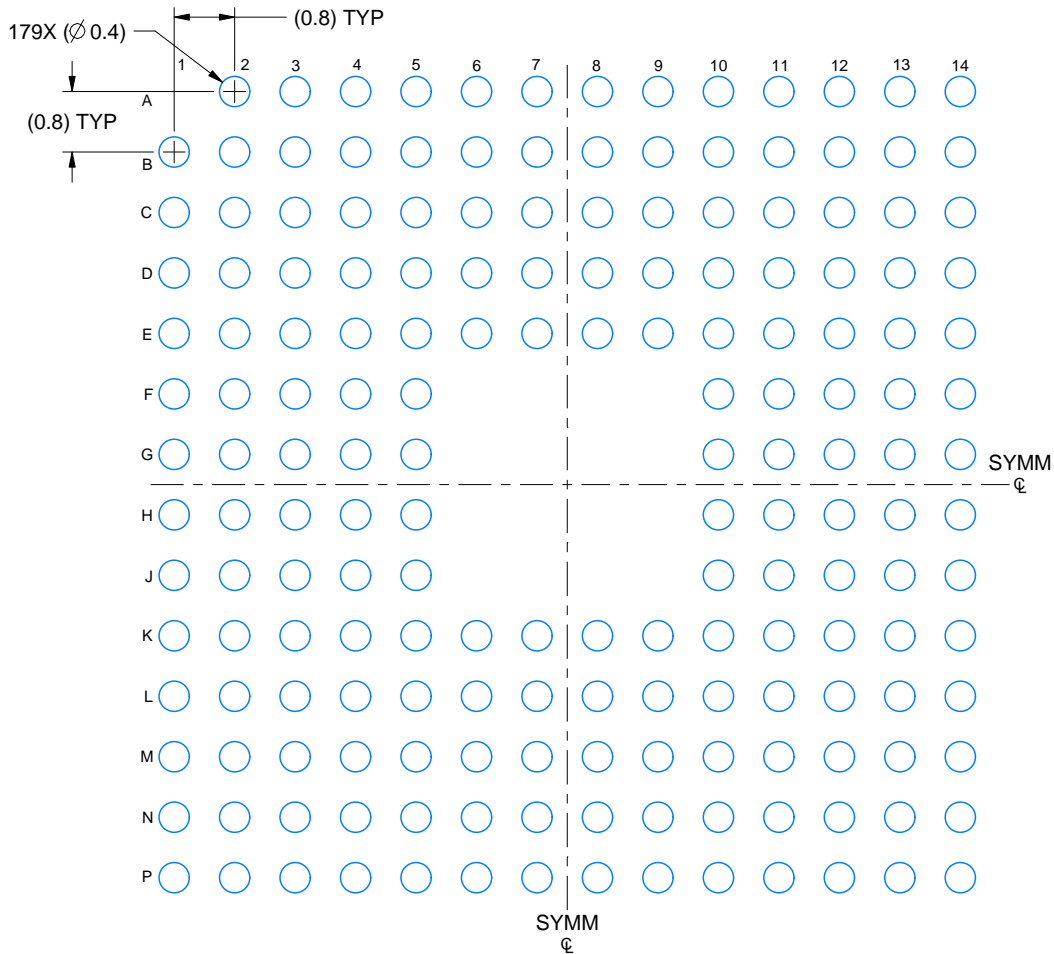
1. All linear dimensions are in millimeters. Any dimensions in parenthesis are for reference only. Dimensioning and tolerancing per ASME Y14.5M.
2. This drawing is subject to change without notice.

EXAMPLE BOARD LAYOUT

ZAY0179A

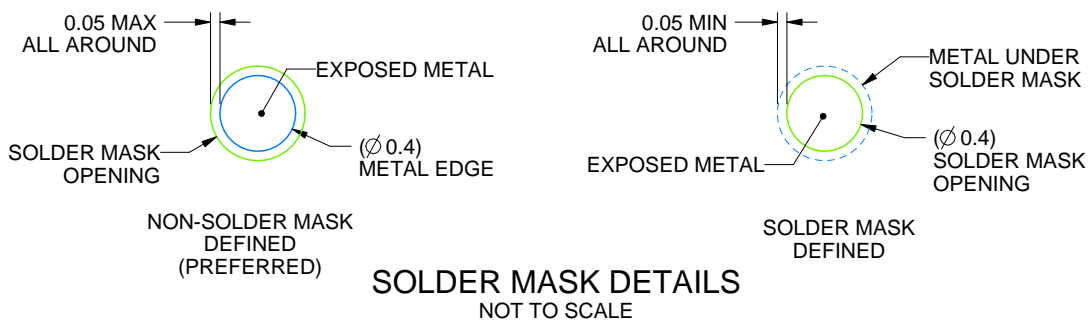
NFBGA - 1.4 mm max height

PLASTIC BALL GRID ARRAY



LAND PATTERN EXAMPLE

EXPOSED METAL SHOWN
SCALE: 10X



4225014/C 07/2020

NOTES: (continued)

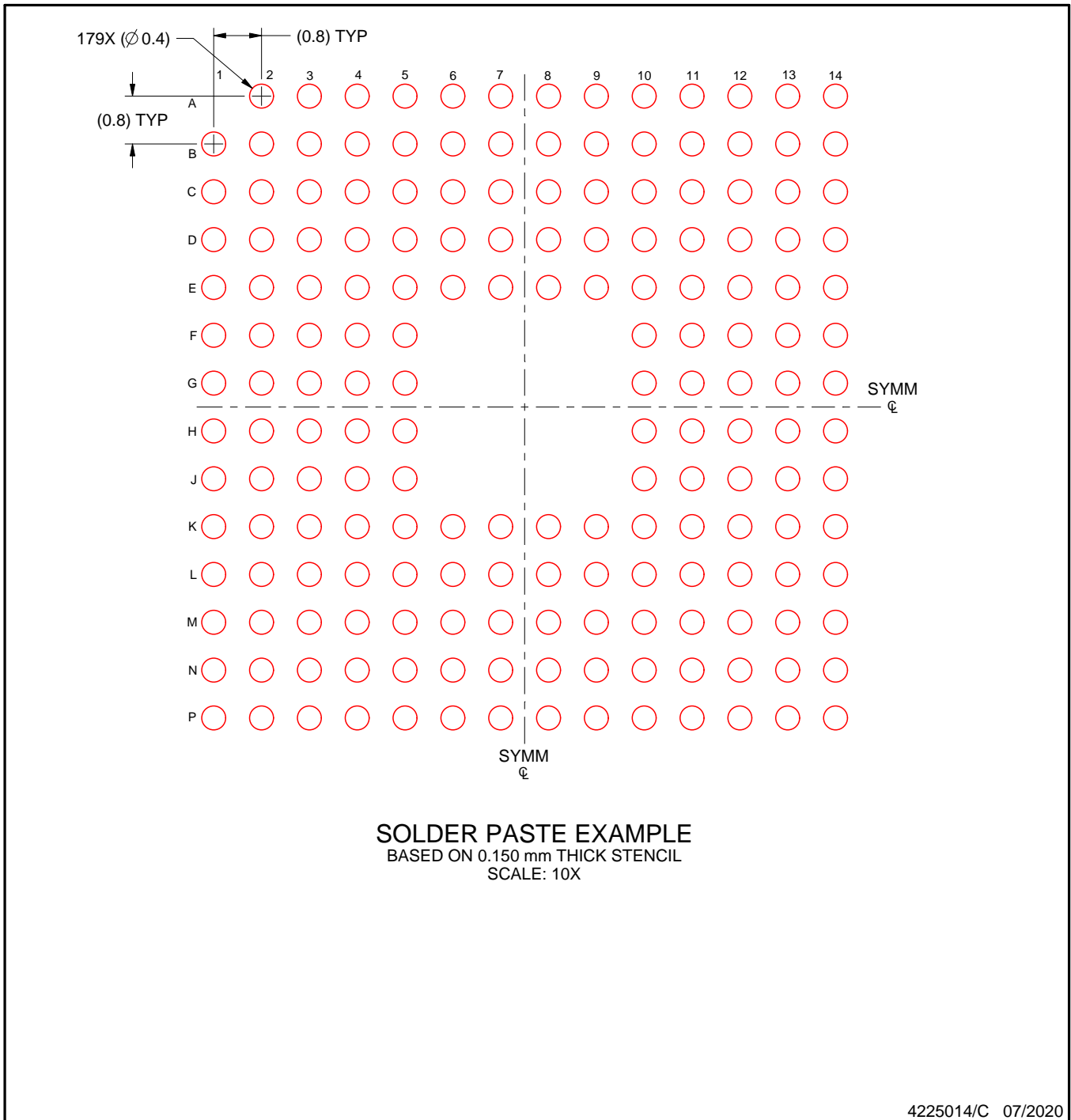
- Final dimensions may vary due to manufacturing tolerance considerations and also routing constraints. For information, see Texas Instruments literature number SPRAA99 (www.ti.com/lit/spraa99).

EXAMPLE STENCIL DESIGN

ZAY0179A

NFBGA - 1.4 mm max height

PLASTIC BALL GRID ARRAY



NOTES: (continued)

4. Laser cutting apertures with trapezoidal walls and rounded corners may offer better paste release.

GENERIC PACKAGE VIEW

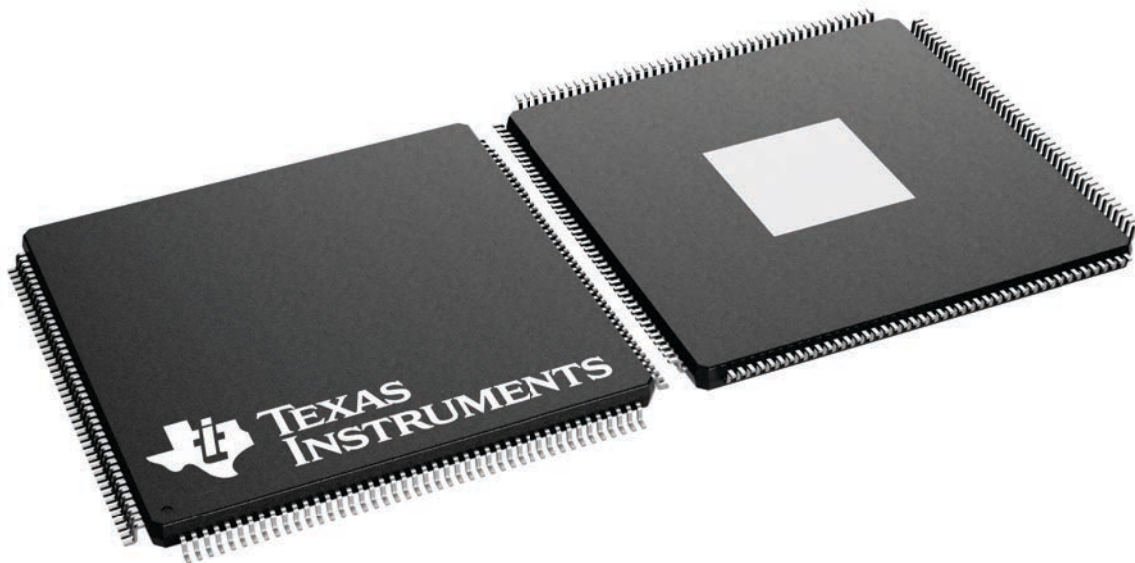
PTP 176

HLQFP - 1.6 mm max height

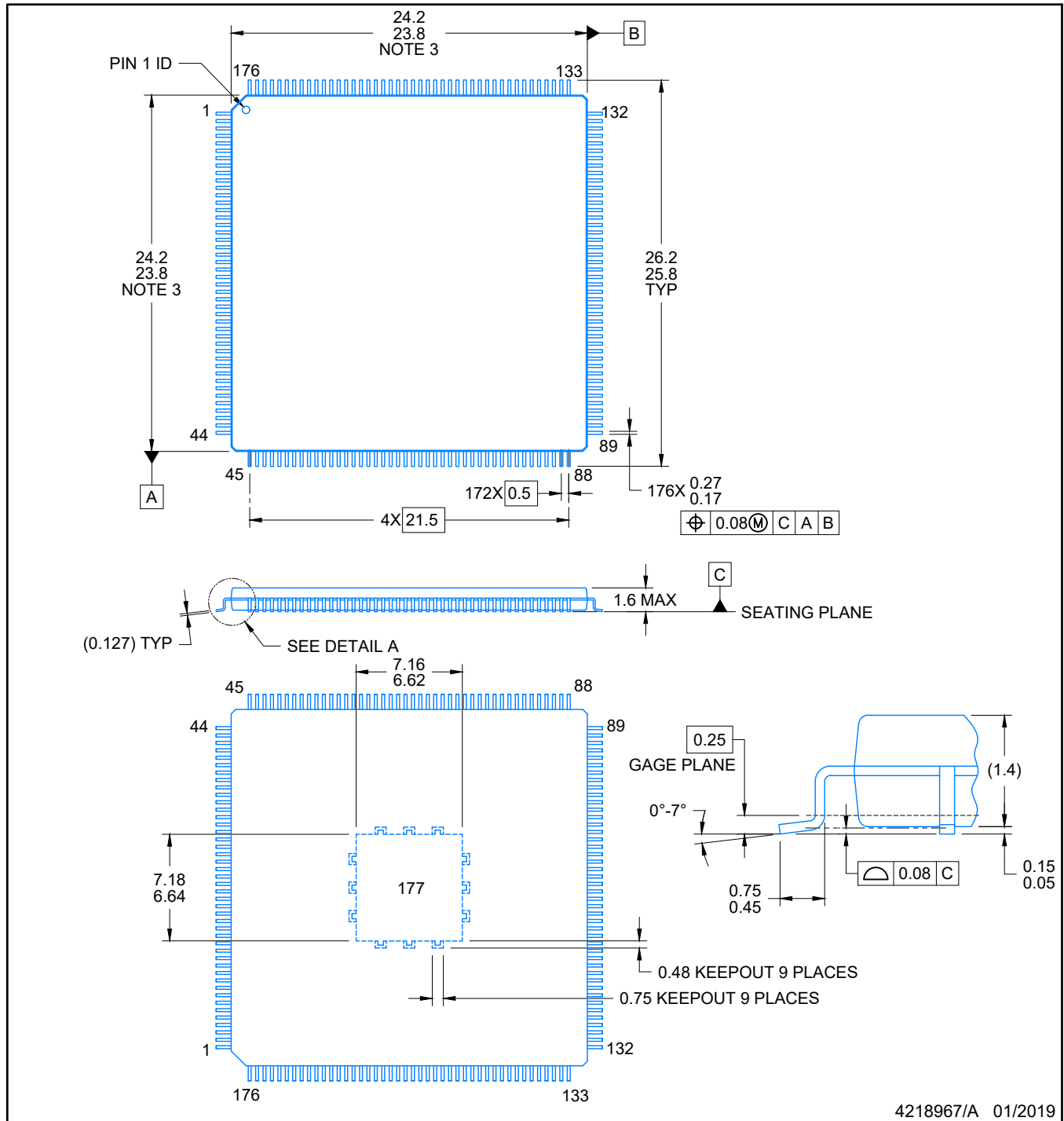
24 x 24, 0.5 mm pitch

PLASTIC QUAD FLATPACK

This image is a representation of the package family, actual package may vary.
Refer to the product data sheet for package details.

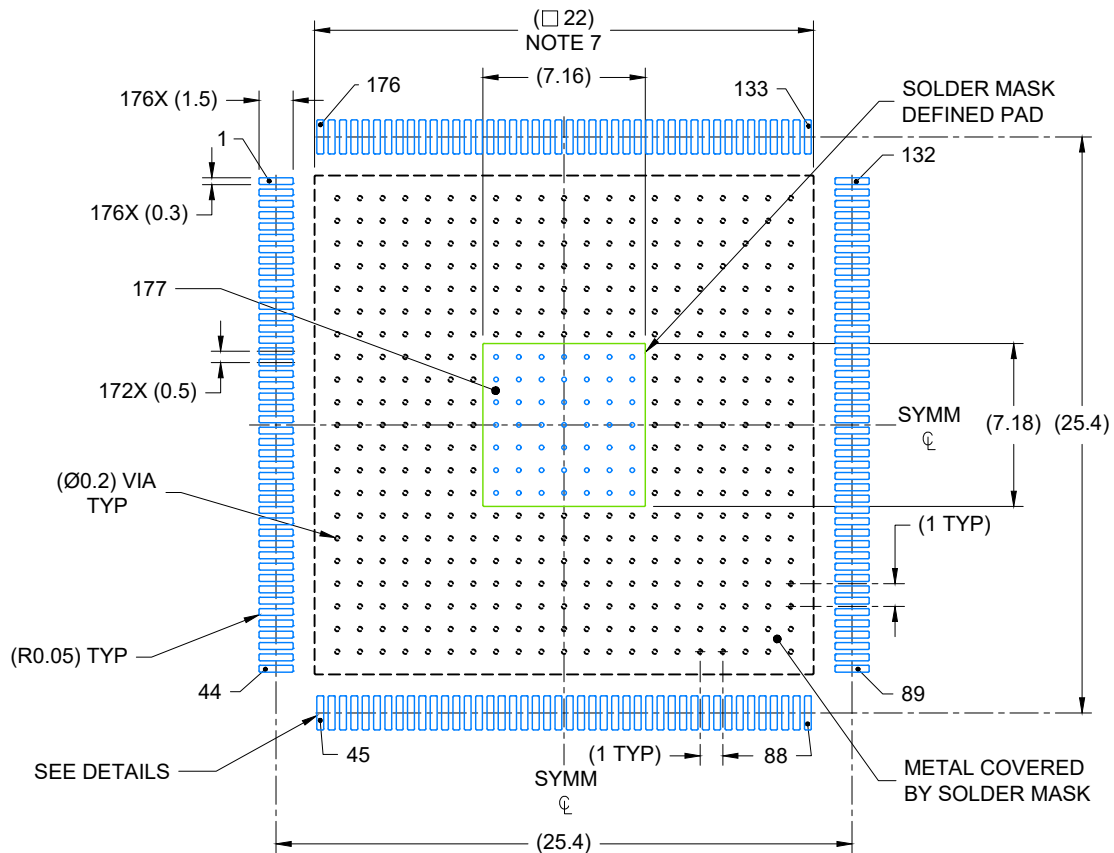


4226435/A

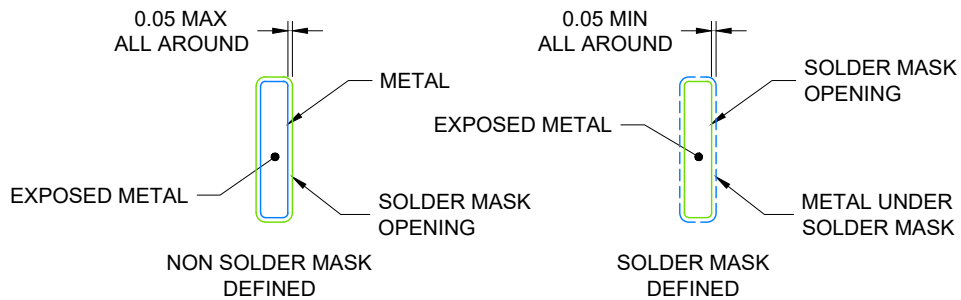


NOTES:

1. All linear dimensions are in millimeters. Any dimensions in parenthesis are for reference only. Dimensioning and tolerancing per ASME Y14.5M.
2. This drawing is subject to change without notice.
3. This dimension does not include mold flash, protrusions, or gate burrs. Mold flash, protrusions, or gate burrs shall not exceed 0.15 per side.



LAND PATTERN EXAMPLE
EXPOSED METAL SHOWN
SCALE: 3X



SOLDER MASK DETAILS

4218967/A 01/2019

NOTES: (continued)

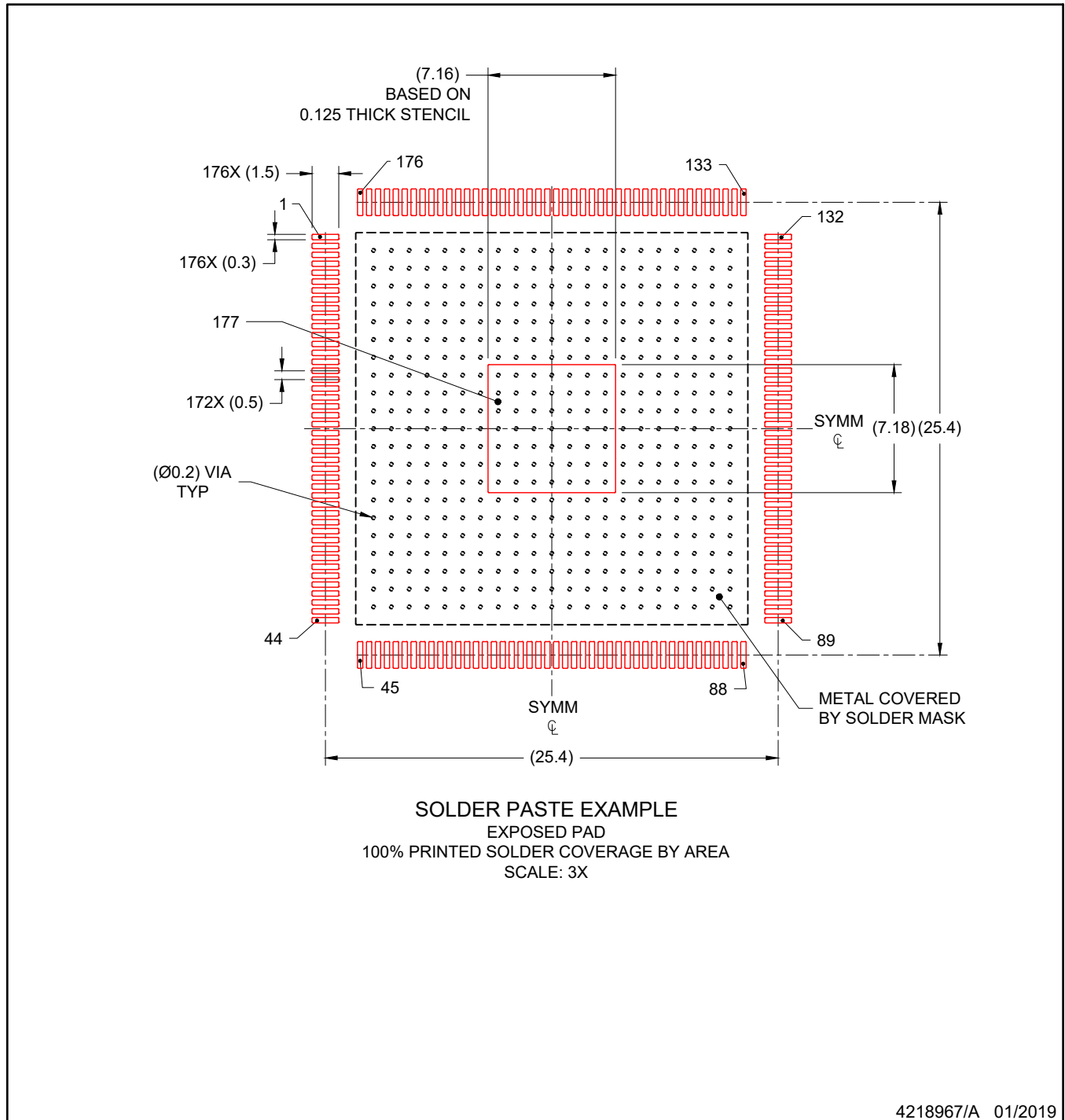
5. Publication IPC-7351 may have alternate designs.
6. Solder mask tolerances between and around signal pads can vary based on board fabrication site.
7. This package is designed to be soldered to a thermal pad on the board. See technical brief. Powerpad thermally enhanced package, Texas Instruments Literature No. SLMA002 (www.ti.com/lit/slma002) and SLMA004 (www.ti.com/lit/slma004).
8. Vias are optional depending on application, refer to device data sheet. It is recommended that vias under paste be filled, plugged or tented.

EXAMPLE STENCIL DESIGN

HLQFP - 1.6 mm max height

PTP0176E

PLASTIC QUAD FLATPACK



NOTES: (continued)

7. Laser cutting apertures with trapezoidal walls and rounded corners may offer better paste release. IPC-7525 may have alternate design recommendations.
8. Board assembly site may have different recommendations for stencil design.

IMPORTANT NOTICE AND DISCLAIMER

TI PROVIDES TECHNICAL AND RELIABILITY DATA (INCLUDING DATA SHEETS), DESIGN RESOURCES (INCLUDING REFERENCE DESIGNS), APPLICATION OR OTHER DESIGN ADVICE, WEB TOOLS, SAFETY INFORMATION, AND OTHER RESOURCES "AS IS" AND WITH ALL FAULTS, AND DISCLAIMS ALL WARRANTIES, EXPRESS AND IMPLIED, INCLUDING WITHOUT LIMITATION ANY IMPLIED WARRANTIES OF MERCHANTABILITY, FITNESS FOR A PARTICULAR PURPOSE OR NON-INFRINGEMENT OF THIRD PARTY INTELLECTUAL PROPERTY RIGHTS.

These resources are intended for skilled developers designing with TI products. You are solely responsible for (1) selecting the appropriate TI products for your application, (2) designing, validating and testing your application, and (3) ensuring your application meets applicable standards, and any other safety, security, regulatory or other requirements.

These resources are subject to change without notice. TI grants you permission to use these resources only for development of an application that uses the TI products described in the resource. Other reproduction and display of these resources is prohibited. No license is granted to any other TI intellectual property right or to any third party intellectual property right. TI disclaims responsibility for, and you will fully indemnify TI and its representatives against, any claims, damages, costs, losses, and liabilities arising out of your use of these resources.

TI's products are provided subject to [TI's Terms of Sale](#) or other applicable terms available either on ti.com or provided in conjunction with such TI products. TI's provision of these resources does not expand or otherwise alter TI's applicable warranties or warranty disclaimers for TI products.

TI objects to and rejects any additional or different terms you may have proposed.

Mailing Address: Texas Instruments, Post Office Box 655303, Dallas, Texas 75265
Copyright © 2022, Texas Instruments Incorporated