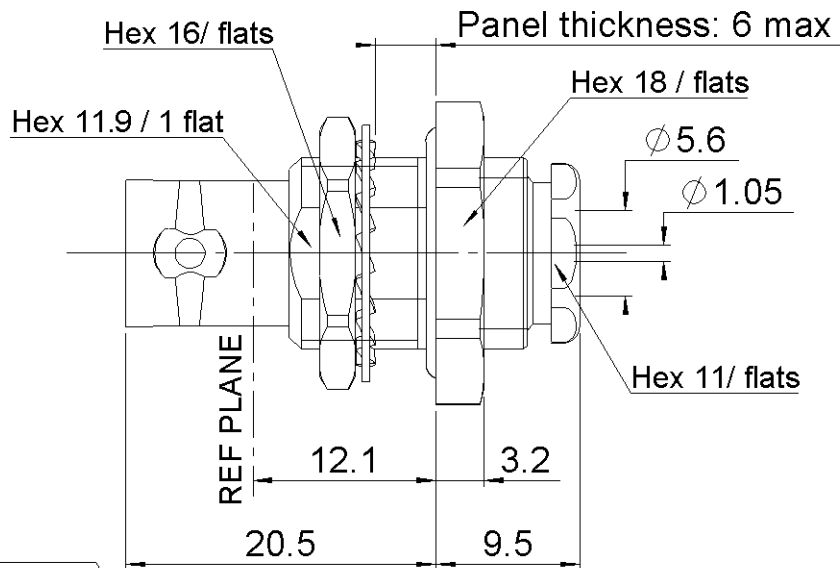
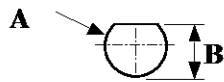


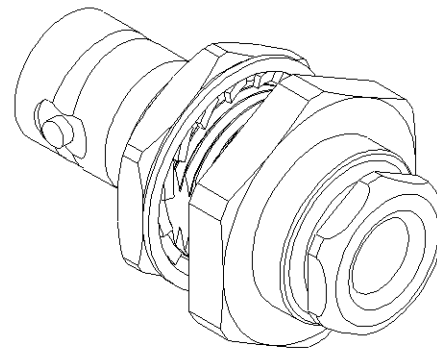
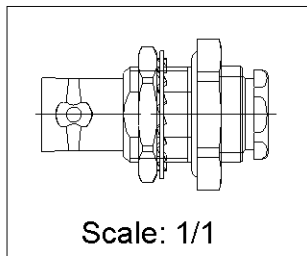
PAGE 1/2	ISSUE 25-02-21B	SERIES BNC	PART NUMBER R141327000
----------	-----------------	------------	------------------------



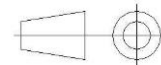
PANEL CUT OUT



mm		
	Maxi	mini
A	12.8	12.7
B	12.1	12



All dimensions are in mm. Tolerances according ISO 2768 m-H



COMPONENTS	MATERIALS	PLATING (µm)
Body	BRASS	NICKEL 2
Center contact	BERYLLIUM COPPER	GOLD 0.5 OVER NICKEL 2
Outer contact	-	-
Insulator	PTFE	
Gasket	SILICONE RUBBER	
Others parts	BRASS	NICKEL 2
-	-	-
-	-	-

PAGE 2/2	ISSUE 25-02-21B	SERIES BNC	PART NUMBER R141327000
-----------------	------------------------	-------------------	-------------------------------

PACKAGING

Standard	Unit	Other
100	Contact us	Contact us

ELECTRICAL CHARACTERISTICS

Impedance		50	Ω
Frequency		0-4	GHz
VSWR	1.2	+	0 x F(GHz) Maxi
Insertion loss		0.115	√F(GHz) dB Maxi
RF leakage	- (57	- F(GHz)) dB Maxi
Voltage rating		500	Veff Maxi
Dielectric withstanding voltage		1500	Veff mini
Insulation resistance		5000	MΩ mini

MECHANICAL CHARACTERISTICS

Center contact retention		NA	N mini
Axial force – Mating End		NA	N mini
Axial force – Opposite end		NA	N.cm mini
Torque		NA	N.cm mini
Recommended torque			
Mating		NA	N.cm
Panel nut		370	N.cm
Clamp nut		450	N.cm
A/F clamp nut		11	mm
Mating life	500		Cycles mini
Nominal Weight (Add +15% for max weight)	20		g

ENVIRONMENTAL

Operating temperature	-65/+165	°C
Hermetic seal	NA	Atm.cm3/s
Panel leakage	NA	

SPECIFICATION

QAE 06-02

CABLE ASSEMBLY

Stripping	a	b	c	d	e	f
mm	2,6	8,5	0	0	2,5	0

Assembly instruction: **Clamp 02**

Recommended cable(s)

RG 141
KX 23
RG 142 FTX
RG 58
RG 142
RG 223
RG 400
KX 15

Characteristics indicated on this data sheet are those that can be achieved with the highest performance cable. Intrinsic limitations of the cable may diminish the performance of the assembly

Cable retention

- pull off	180	N mini
- torque	NA	N.cm

TOOLING

Part Number	Description	Hexagon
.	.	.

OTHER CHARACTERISTICS

-