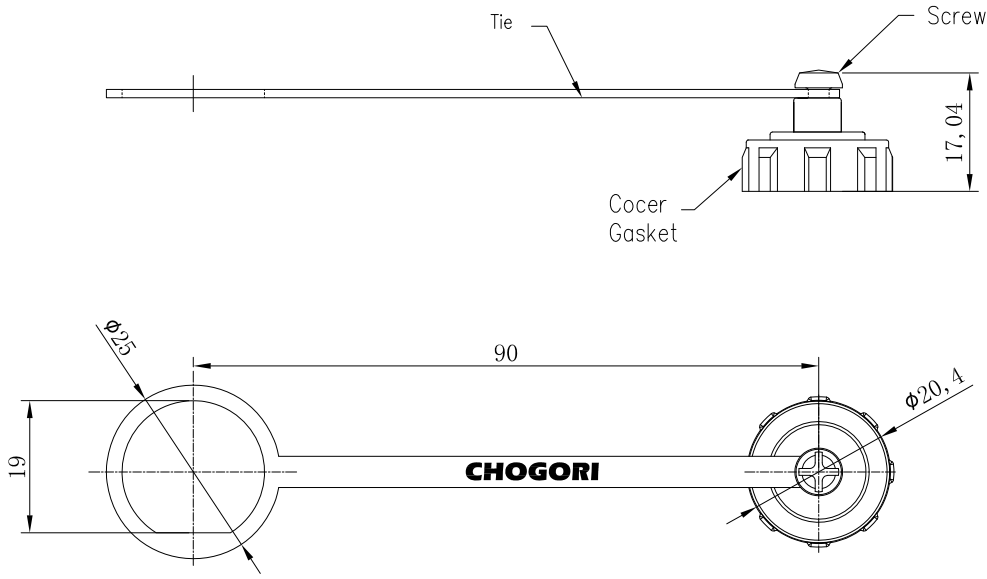


THIS INFORMATION IS CONFIDENTIAL AND IS DISCLOSED TO YOU ON CONDITION THAT NO FURTHER DISCLOSURE IS MADE BY YOU TO OTHER THAN CHOGORI PERSONNEL WITHOUT AUTHORIZATION FROM CHOGORI CORP.

REV.	ECN NO.	DESCRIPTION	SIGN	DATE
C1	N/A	Initial Drawing	liyongsheng	2020/04/29



- Specification:
- 1.The Surface Must Not Be Dirty, Burning Glue, Lack Of Materials, Cracks And Severe Shrinkage.
 - 2.RoHS Compliant.
 - 3.RJ45 Waterproof Cover: Nylon+GF
 - 4.Tie: Nylon+GF
 - 5.Gasket: Silicon
 - 6.Waterproof Rate: IP67(Mated)

UNIT: mm		DESCRIPTION RJ45 Protecting Cover(Screw Type)	CHOGORI		PART NO 806-00003-00	DRAWN BY liyongsheng	DATE 2020/04/29
TOLERANCE .X ±0.25 .XX ±0.15 .XXX ±0.05 ANGLES ±1°	SCALE 1:1	SHEET 1 OF 1	CHOGORI		DWG NO	CHECKED BY Allen	DATE 2020/04/29
REV. C1	SIZE A4	* :Inspection Item	CHOGORI		CUSTOMER	APPROVED BY Panson	DATE 2020/04/29

1 2 3 4 5 6 7 8

A B C D E F