

FHZ SERIES 5 STUD & 7 STUD ZCASE® FUSE HOLDERS

400A • 32V DC • 5 Stud & 7 Stud • ZCASE®

Description

The 5 Stud and 7 Stud ZCASE Fuse Holders are configurable products designed for primary high current power distribution. They use a power input terminal, which is usually paired with a ZCASE shunt for the input. With common bussed power, configurable studs (choose M6, M8, or M10) and appropriate ZCASE fuses, a wide variety of configurations are possible. The dust covers keep dust out of the backside of the fuse box and the cover protects the fuses from debris.

Features and Benefits

- High Current Distribution with Flexible bussing and configurable stud sizes to improve assembly Poka Yoke
- Midi range ZCASE fuses (40A-200A) and Mega range ZCASE Fuses (80A-600A) can be used in any location, so no dedicated locations improving flexibility
- Corrosion resistant coatings
- Stainless steel nuts can be applied with high speed nut runners

Applications

- Construction Equipment
- Agricultural Equipment
- Body Builders
- HD/MD Truck



FHZ SERIES 5 STUD ZCASE® FUSE HOLDER



Specifications

Amperage:	400A Continuous
Available Fuse Rating:	40- 600A
Accessories:	Studs, Bus Bar, Tether, Dust Cover
Box Dimensions:	217mm x 86mm x 59mm
Contact Temp:	-40° to 105° C
Connections:	M6, M8, and M10 Bolt Down Connection
Color:	Black

Ordering Information

PART NUMBERS	DESCRIPTION
0FHZ0001Z	5 Stud Assembly with Bolts and Bus Bar
0FHZ0002Z	5 Stud Full Assembly with M10 Input
0FHZ0003Z	5 Stud Box Only for Configuration
0FHZ0005Z	5 Stud Full Assembly with M8 Input

Replacement Parts Ordering Information

PART NUMBERS	DESCRIPTION
908-066	M6 x 1.5 Thread Stud
908-067	M8 x 1.25 Thread Stud
908-068	M10 x 1.0 Thread Stud
882-869-2	2 Position Bus Bar
882-869-3	3 Position Bus Bar
882-869-4	4 Position Bus Bar
882-869-5	5 Position Bus Bar

Web Resources

Download the 2D print, 3D model and more at:
littelfuse.com/5studzcase

FHZ SERIES 7 STUD ZCASE® FUSE HOLDER



Specifications

Amperage:	400A Continuous
Available Fuse Rating:	40- 600A
Accessories:	Studs, Bus Bar, Tether, Dust Cover
Box Dimensions:	281mm x 86mm x 59mm
Contact Temp:	-40° to 105° C
Connections:	M6, M8, and M10 Bolt Down Connection
Color:	Black
Material:	Base Cover: Black FR530 Dust Cover: Green Silicon Rubber Tether: Black Silicon Rubber Bottom Cap: Blue PA66
Max Main Input:	400A
M8 Mounting Torque:	12-15 Nm
Max Wire Size:	105 sqmm OR AWG 4/0

Ordering Information

PART NUMBERS	DESCRIPTION
0FHZ0006Z	7 Stud Assembly with Bolts and Bus Bar
0FHZ0007Z	7 Stud Full Assembly With M8 Input Without Fuses
0FHZ0008Z	7 Stud Box Only for Configuration
0FHZ0009Z	7 Stud Full Assembly with M8 Input

Replacement Parts Ordering Information

PART NUMBERS	DESCRIPTION
908-066	M6 x 1.5 Thread Stud
908-067	M8 x 1.25 Thread Stud
908-068	M10 x 1.0 Thread Stud
882-869-2	2 Position Bus Bar
882-869-3	3 Position Bus Bar
882-869-4	4 Position Bus Bar
882-869-5	5 Position Bus Bar
882-869-6	6 Position Bus Bar
882-869-7	7 Position Bus Bar

Web Resources

Download the 2D print, 3D model and more at:
littelfuse.com/7studzcase

Related Products



ZCASE® 40-600A Bolt-Down Fuses

The ZCASE is a bolt down fuse with a wide rating range up to 600A. The Time Current characteristic is similar to the well known MEGA® design and can be used as full wire protection until 250A. Higher ratings typically used for short circuit protector.

Learn more at: littelfuse.com/ZCASE



M10-M6 Thread Studs

M10, M8 and M6 Studs are available to match with similar sized ZCASE fuses (M10, 80-600A, M8, 40-600S, and M6, 40-250A). The different sizes support error proofing for assembly. All studs are electrically isolated when dropped into the holder. The studs are robust coated Steel so they can be used with stainless steel hardware even when high speed assembly equipment is used.

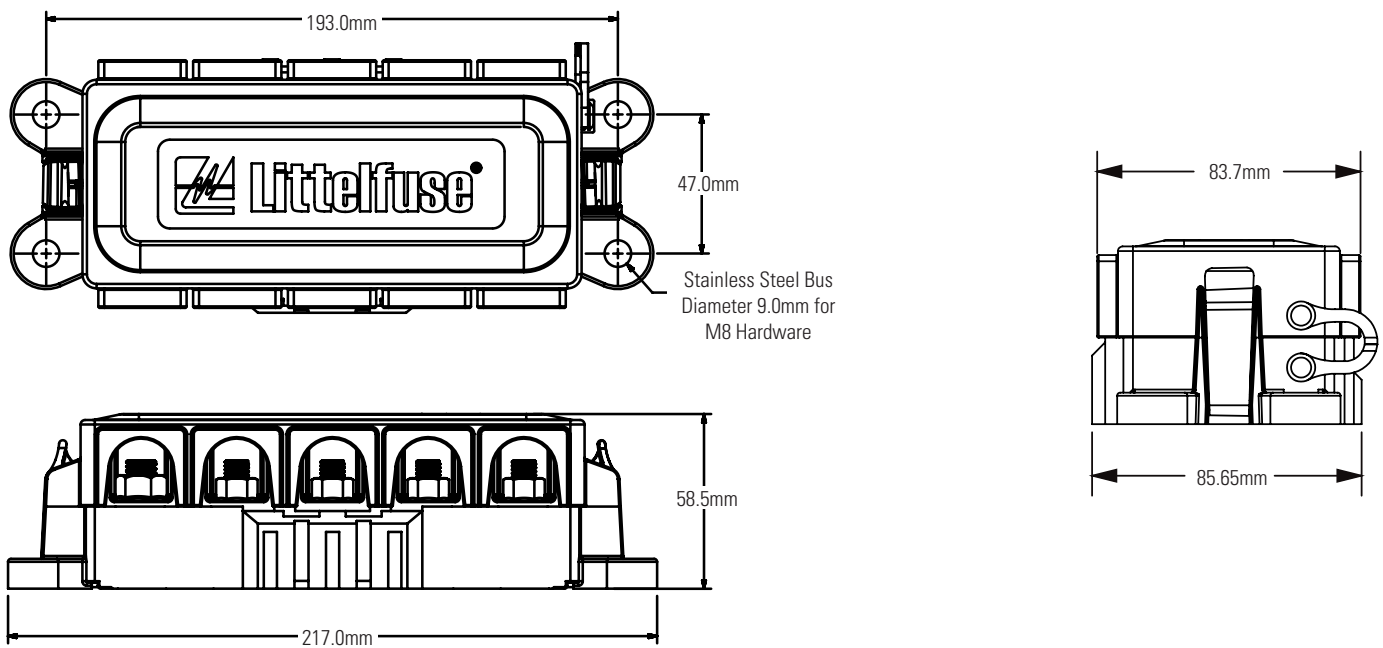


2-7 Way Bus Bars

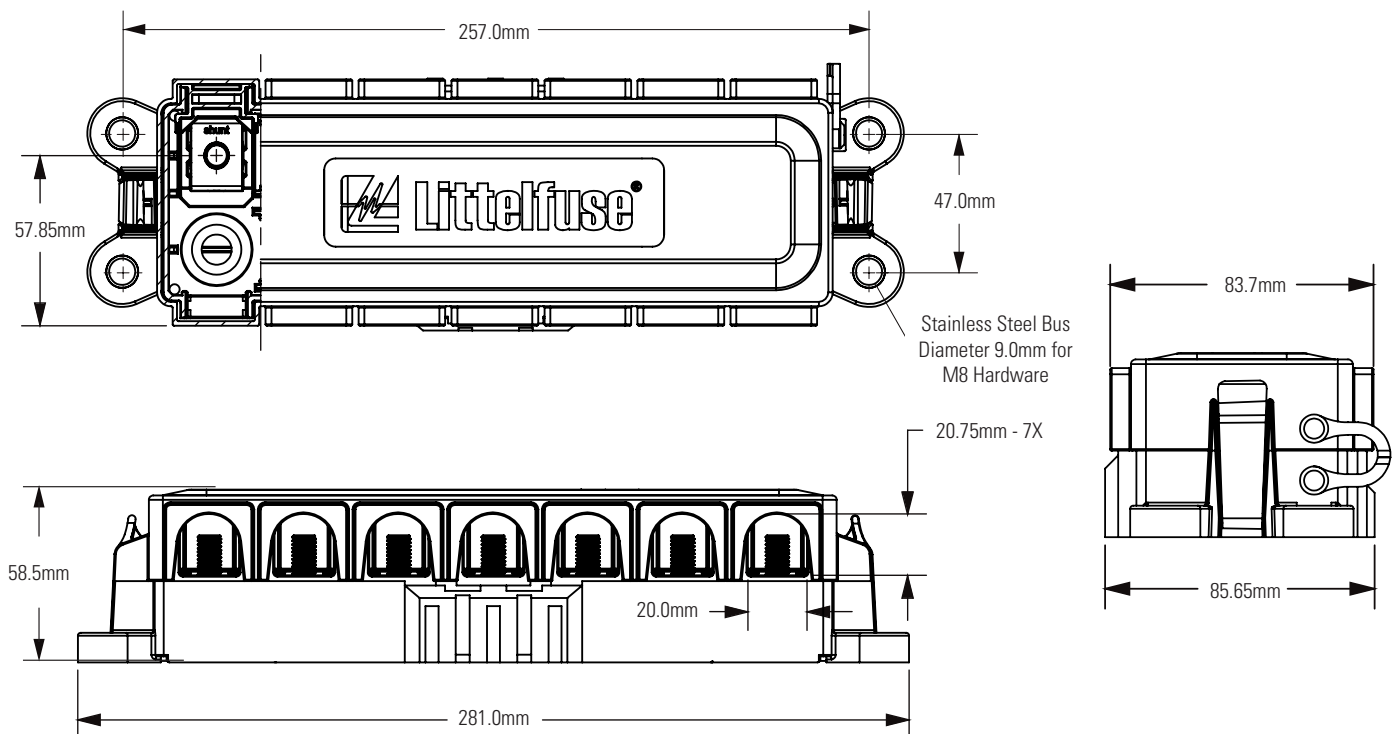
Bus Bars are available in a number of sizes so that the ZCASE Fuse Box can be customized. The Bus Bars allow the box to handle multiple circuits so that one high current box can handle multiple power sources. This includes multi-voltage applications or switches and unswitched power circuits, Bus Bars are solid copper with tin plating for corrosion resistance and good power transfer.

FHZ SERIES 5 STUD & 7 STUD ZCASE® FUSE HOLDERS

5 Stud ZCASE Fuse Holder Dimensions in Millimeters



7 Stud ZCASE Fuse Holder Dimensions in Millimeters



Visit Littelfuse.com for the most up-to-date product information. Littelfuse reserves the right to make product changes, without notice. Material in this document is as accurate as known at the time of publication.