

74AHC377; 74AHCT377

Octal D-type flip-flop with data enable; positive-edge trigger

Rev. 02 — 12 June 2008

Product data sheet

1. General description

The 74AHC377; 74AHCT377 is a high-speed Si-gate CMOS device and is pin compatible with Low-power Schottky TTL (LSTTL). It is specified in compliance with JEDEC standard No. 7-A.

The 74AHC377; 74AHCT377 has eight edge-triggered, D-type flip-flops with individual D inputs and Q outputs. A common clock input (CP) loads all flip-flops simultaneously when the data enable input (\bar{E}) is LOW. The state of each D input, one set-up time before the LOW-to-HIGH clock transition, is transferred to the corresponding output (Q_n) of the flip-flop. The \bar{E} input is only required to be stable one set-up time prior to the LOW-to-HIGH transition for predictable operation.

For versions associated with the 74AHC377; 74AHCT377, refer to the following:

- For the master reset version, see 74AHC273; 74AHCT273
- For the transparent latch version, see 74AHC373; 74AHCT373
- For the 3-state version, see 74AHC374; 74AHCT374

2. Features

- Balanced propagation delays
- All inputs have Schmitt-trigger actions
- Inputs accept voltages higher than V_{CC}
- Ideal for addressable register applications
- Data enable for address and data synchronization
- Eight positive-edge triggered D-type flip-flops
- Input levels:
 - ◆ For 74AHC377: CMOS level
 - ◆ For 74AHCT377: TTL level
- ESD protection:
 - ◆ HBM EIA/JESD22-A114E exceeds 2000 V
 - ◆ MM EIA/JESD22-A115-A exceeds 200 V
 - ◆ CDM EIA/JESD22-C101C exceeds 1000 V
- Multiple package options
- Specified from $-40\text{ }^{\circ}\text{C}$ to $+85\text{ }^{\circ}\text{C}$ and from $-40\text{ }^{\circ}\text{C}$ to $+125\text{ }^{\circ}\text{C}$

3. Ordering information

Table 1. Ordering information

| Type number | Package | | | Version |
|------------------|-------------------|---------|---|----------|
| | Temperature range | Name | Description | |
| 74AHC377 | | | | |
| 74AHC377D | -40 °C to +125 °C | SO20 | plastic small outline package; 20 leads; body width 7.5 mm | SOT163-1 |
| 74AHC377PW | -40 °C to +125 °C | TSSOP20 | plastic thin shrink small outline package; 20 leads; body width 4.4 mm | SOT360-1 |
| 74AHCT377 | | | | |
| 74AHCT377D | -40 °C to +125 °C | SO20 | plastic small outline package; 20 leads; body width 7.5 mm | SOT163-1 |
| 74AHCT377PW | -40 °C to +125 °C | TSSOP20 | plastic thin shrink small outline package; 20 leads; body width 4.4 mm | SOT360-1 |

4. Functional diagram

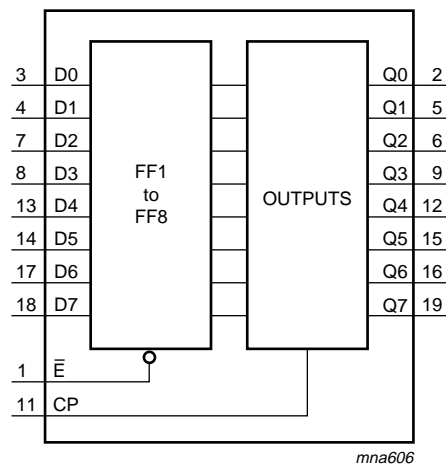


Fig 1. Functional diagram

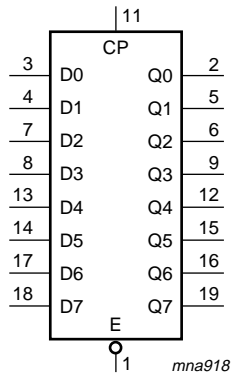


Fig 2. Logic symbol

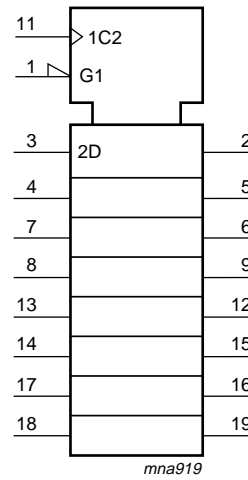


Fig 3. IEC logic symbol

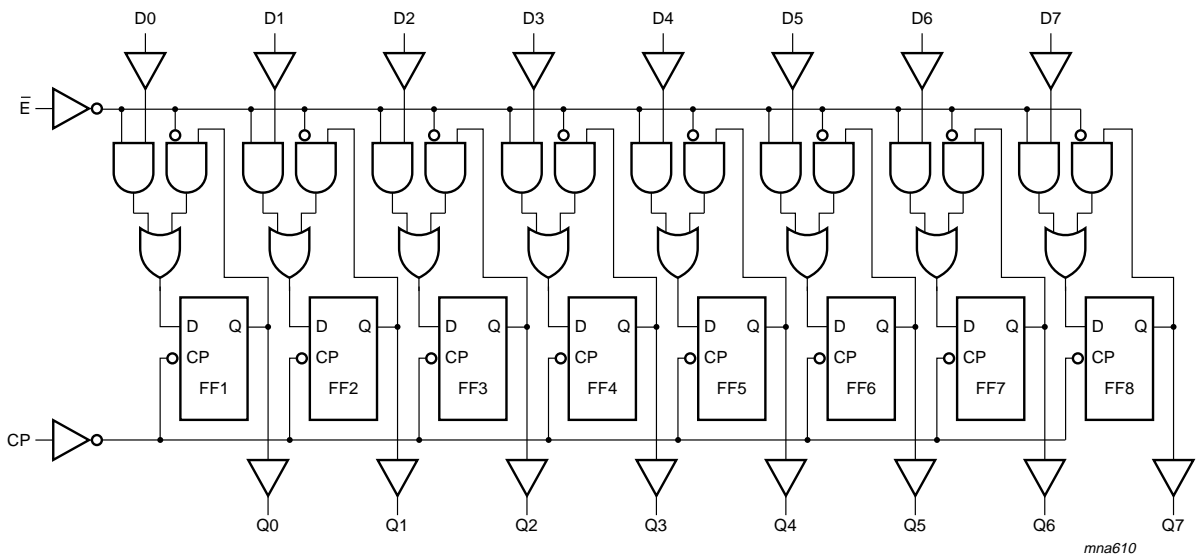


Fig 4. Logic diagram

5. Pinning information

5.1 Pinning

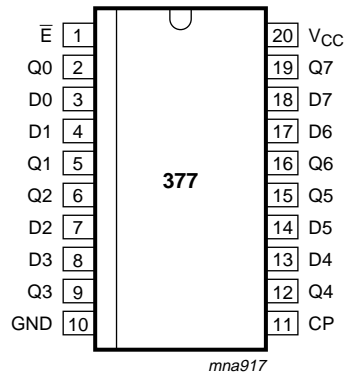


Fig 5. Pin configuration SO20 and TSSOP20

5.2 Pin description

Table 2. Pin description

| Symbol | Pin | Description |
|-----------------|-----|---|
| \bar{E} | 1 | data enable input (active LOW) |
| Q0 | 2 | flip-flop output |
| D0 | 3 | data input |
| D1 | 4 | data input |
| Q1 | 5 | flip-flop output |
| Q2 | 6 | flip-flop output |
| D2 | 7 | data input |
| D3 | 8 | data input |
| Q3 | 9 | flip-flop output |
| GND | 10 | ground (0 V) |
| CP | 11 | clock input (LOW-to-HIGH, edge triggered) |
| Q4 | 12 | flip-flop output |
| D4 | 13 | data input |
| D5 | 14 | data input |
| Q5 | 15 | flip-flop output |
| Q6 | 16 | flip-flop output |
| D6 | 17 | data input |
| D7 | 18 | data input |
| Q7 | 19 | flip-flop output |
| V _{CC} | 20 | supply voltage |

6. Functional description

Table 3. Function table^[1]

| Operating mode | Control | | Input | Output |
|-------------------|-----------|----|-------|-----------|
| | \bar{E} | CP | Dn | Qn |
| Load 1 | l | ↑ | h | H |
| Load 0 | l | ↑ | l | L |
| Hold (do nothing) | h | ↑ | X | no change |
| | H | X | X | no change |

- [1] H = HIGH voltage level;
 h = HIGH voltage level one set-up time prior to the LOW-to-HIGH CP transition;
 L = LOW voltage level;
 l = LOW voltage level one set-up time prior to the LOW-to-HIGH CP transition;
 ↑ = LOW-to-HIGH CP transition;
 X = don't care.

7. Limiting values

Table 4. Limiting values

In accordance with the Absolute Maximum Rating System (IEC 60134). Voltages are referenced to GND (ground = 0 V).

| Symbol | Parameter | Conditions | Min | Max | Unit |
|-----------|-------------------------|--|--------------------|------|------|
| V_{CC} | supply voltage | | -0.5 | +7.0 | V |
| V_I | input voltage | | -0.5 | +7.0 | V |
| I_{IK} | input clamping current | $V_I < -0.5$ V | ^[1] -20 | - | mA |
| I_{OK} | output clamping current | $V_O < -0.5$ V or $V_O > V_{CC} + 0.5$ V | ^[1] -20 | +20 | mA |
| I_O | output current | $V_O = -0.5$ V to $(V_{CC} + 0.5)$ V | -25 | +25 | mA |
| I_{CC} | supply current | | - | +75 | mA |
| I_{GND} | ground current | | -75 | - | mA |
| T_{stg} | storage temperature | | -65 | +150 | °C |
| P_{tot} | total power dissipation | $T_{amb} = -40$ °C to +125 °C | ^[2] - | 500 | mW |

- [1] The input and output voltage ratings may be exceeded if the input and output current ratings are observed.
 [2] For SO20 packages: above 70 °C the value of P_{tot} derates linearly at 8 mW/K.
 For TSSOP20 packages: above 60 °C the value of P_{tot} derates linearly at 5.5 mW/K.

8. Recommended operating conditions

Table 5. Operating conditions

| Symbol | Parameter | Conditions | Min | Typ | Max | Unit |
|---------------------|-------------------------------------|---|-----|-----|----------|------|
| 74AHC377 | | | | | | |
| V_{CC} | supply voltage | | 2.0 | 5.0 | 5.5 | V |
| V_I | input voltage | | 0 | - | 5.5 | V |
| V_O | output voltage | | 0 | - | V_{CC} | V |
| T_{amb} | ambient temperature | | -40 | +25 | +125 | °C |
| $\Delta t/\Delta V$ | input transition rise and fall rate | $V_{CC} = 3.0\text{ V to }3.6\text{ V}$ | - | - | 100 | ns/V |
| | | $V_{CC} = 4.5\text{ V to }5.5\text{ V}$ | - | - | 20 | ns/V |
| 74AHCT377 | | | | | | |
| V_{CC} | supply voltage | | 4.5 | 5.0 | 5.5 | V |
| V_I | input voltage | | 0 | - | 5.5 | V |
| V_O | output voltage | | 0 | - | V_{CC} | V |
| T_{amb} | ambient temperature | | -40 | +25 | +125 | °C |
| $\Delta t/\Delta V$ | input transition rise and fall rate | $V_{CC} = 4.5\text{ V to }5.5\text{ V}$ | - | - | 20 | ns/V |

9. Static characteristics

Table 6. Static characteristics

At recommended operating conditions; voltages are referenced to GND (ground = 0 V).

| Symbol | Parameter | Conditions | 25 °C | | | -40 °C to +85 °C | | -40 °C to +125 °C | | Unit |
|-----------------|---|---|-------|------|------|------------------|------|-------------------|------|------|
| | | | Min | Typ | Max | Min | Max | Min | Max | |
| 74AHC377 | | | | | | | | | | |
| V_{IH} | HIGH-level input voltage | $V_{CC} = 2.0\text{ V}$ | 1.5 | - | - | 1.5 | - | 1.5 | - | V |
| | | $V_{CC} = 3.0\text{ V}$ | 2.1 | - | - | 2.1 | - | 2.1 | - | V |
| | | $V_{CC} = 5.5\text{ V}$ | 3.85 | - | - | 3.85 | - | 3.85 | - | V |
| V_{IL} | LOW-level input voltage | $V_{CC} = 2.0\text{ V}$ | - | - | 0.5 | - | 0.5 | - | 0.5 | V |
| | | $V_{CC} = 3.0\text{ V}$ | - | - | 0.9 | - | 0.9 | - | 0.9 | V |
| | | $V_{CC} = 5.5\text{ V}$ | - | - | 1.65 | - | 1.65 | - | 1.65 | V |
| V_{OH} | HIGH-level output voltage | $V_I = V_{IH}$ or V_{IL} | | | | | | | | |
| | | $I_O = -50\ \mu\text{A}; V_{CC} = 2.0\text{ V}$ | 1.9 | 2.0 | - | 1.9 | - | 1.9 | - | V |
| | | $I_O = -50\ \mu\text{A}; V_{CC} = 3.0\text{ V}$ | 2.9 | 3.0 | - | 2.9 | - | 2.9 | - | V |
| | | $I_O = -50\ \mu\text{A}; V_{CC} = 4.5\text{ V}$ | 4.4 | 4.5 | - | 4.4 | - | 4.4 | - | V |
| | | $I_O = -4.0\text{ mA}; V_{CC} = 3.0\text{ V}$ | 2.58 | - | - | 2.48 | - | 2.40 | - | V |
| | $I_O = -8.0\text{ mA}; V_{CC} = 4.5\text{ V}$ | 3.94 | - | - | 3.80 | - | 3.70 | - | V | |
| V_{OL} | LOW-level output voltage | $V_I = V_{IH}$ or V_{IL} | | | | | | | | |
| | | $I_O = 50\ \mu\text{A}; V_{CC} = 2.0\text{ V}$ | - | 0 | 0.1 | - | 0.1 | - | 0.1 | V |
| | | $I_O = 50\ \mu\text{A}; V_{CC} = 3.0\text{ V}$ | - | 0 | 0.1 | - | 0.1 | - | 0.1 | V |
| | | $I_O = 50\ \mu\text{A}; V_{CC} = 4.5\text{ V}$ | - | 0 | 0.1 | - | 0.1 | - | 0.1 | V |
| | | $I_O = 4.0\text{ mA}; V_{CC} = 3.0\text{ V}$ | - | - | 0.36 | - | 0.44 | - | 0.55 | V |
| | $I_O = 8.0\text{ mA}; V_{CC} = 4.5\text{ V}$ | - | - | 0.36 | - | 0.44 | - | 0.55 | V | |

Table 6. Static characteristics ...continued

At recommended operating conditions; voltages are referenced to GND (ground = 0 V).

| Symbol | Parameter | Conditions | 25 °C | | | -40 °C to +85 °C | | -40 °C to +125 °C | | Unit |
|------------------|---------------------------|--|-------|-----|------|------------------|------|-------------------|------|---------------|
| | | | Min | Typ | Max | Min | Max | Min | Max | |
| I_I | input leakage current | $V_I = 5.5\text{ V}$ or GND; $V_{CC} = 0\text{ V}$ to 5.5 V | - | - | 0.1 | - | 1.0 | - | 2.0 | μA |
| I_{CC} | supply current | $V_I = V_{CC}$ or GND; $I_O = 0\text{ A}$; $V_{CC} = 5.5\text{ V}$ | - | - | 4.0 | - | 40 | - | 80 | μA |
| C_I | input capacitance | $V_I = V_{CC}$ or GND | - | 3 | 10 | - | 10 | - | 10 | pF |
| 74AHCT377 | | | | | | | | | | |
| V_{IH} | HIGH-level input voltage | $V_{CC} = 4.5\text{ V}$ to 5.5 V | 2.0 | - | - | 2.0 | - | 2.0 | - | V |
| V_{IL} | LOW-level input voltage | $V_{CC} = 4.5\text{ V}$ to 5.5 V | - | - | 0.8 | - | 0.8 | - | 0.8 | V |
| V_{OH} | HIGH-level output voltage | $V_I = V_{IH}$ or V_{IL} ; $V_{CC} = 4.5\text{ V}$ | | | | | | | | |
| | | $I_O = -50\ \mu\text{A}$ | 4.4 | 4.5 | - | 4.4 | - | 4.4 | - | V |
| | | $I_O = -8.0\text{ mA}$ | 3.94 | - | - | 3.80 | - | 3.70 | - | V |
| V_{OL} | LOW-level output voltage | $V_I = V_{IH}$ or V_{IL} ; $V_{CC} = 4.5\text{ V}$ | | | | | | | | |
| | | $I_O = 50\ \mu\text{A}$ | - | 0 | 0.1 | - | 0.1 | - | 0.1 | V |
| | | $I_O = 8.0\text{ mA}$ | - | - | 0.36 | - | 0.44 | - | 0.55 | V |
| I_I | input leakage current | $V_I = 5.5\text{ V}$ or GND; $V_{CC} = 0\text{ V}$ to 5.5 V | - | - | 0.1 | - | 1.0 | - | 2.0 | μA |
| I_{CC} | supply current | $V_I = V_{CC}$ or GND; $I_O = 0\text{ A}$; $V_{CC} = 5.5\text{ V}$ | - | - | 4.0 | - | 40 | - | 80 | μA |
| ΔI_{CC} | additional supply current | per input pin; $V_I = V_{CC} - 2.1\text{ V}$; other pins at V_{CC} or GND; $I_O = 0\text{ A}$; $V_{CC} = 4.5\text{ V}$ to 5.5 V | - | - | 1.35 | - | 1.5 | - | 1.5 | mA |
| C_I | input capacitance | $V_I = V_{CC}$ or GND | - | 3 | 10 | - | 10 | - | 10 | pF |

10. Dynamic characteristics

Table 7. Dynamic characteristics

Voltages are referenced to GND (ground = 0 V); for test circuit see [Figure 8](#).

| Symbol | Parameter | Conditions | 25 °C | | | –40 °C to +85 °C | | –40 °C to +125 °C | | Unit |
|-----------------|-------------------------------|---|-------|--------------------|------|------------------|------|-------------------|------|------|
| | | | Min | Typ ^[1] | Max | Min | Max | Min | Max | |
| 74AHC377 | | | | | | | | | | |
| t_{pd} | propagation delay | CP to Qn; see Figure 6 ^[2] | | | | | | | | |
| | | $V_{CC} = 3.0\text{ V to }3.6\text{ V}$ | | | | | | | | |
| | | $C_L = 15\text{ pF}$ | - | 5.6 | 12.8 | 1.0 | 15.0 | 1.0 | 16.0 | ns |
| | | $C_L = 50\text{ pF}$ | - | 8.0 | 16.0 | 1.0 | 18.0 | 1.0 | 20.0 | ns |
| | | $V_{CC} = 4.5\text{ V to }5.5\text{ V}$ | | | | | | | | |
| | | $C_L = 15\text{ pF}$ | - | 3.9 | 9.0 | 1.0 | 10.5 | 1.0 | 11.5 | ns |
| f_{max} | maximum frequency | see Figure 6 | | | | | | | | |
| | | $V_{CC} = 3.0\text{ V to }3.6\text{ V}$ | | | | | | | | |
| | | $C_L = 15\text{ pF}$ | 80 | 125 | - | 70 | - | 70 | - | MHz |
| | | $C_L = 50\text{ pF}$ | 50 | 75 | - | 45 | - | 45 | - | MHz |
| | | $V_{CC} = 4.5\text{ V to }5.5\text{ V}$ | | | | | | | | |
| | | $C_L = 15\text{ pF}$ | 125 | 175 | - | 110 | - | 110 | - | MHz |
| t_W | pulse width | CP HIGH or LOW; see Figure 6 | | | | | | | | |
| | | $V_{CC} = 3.0\text{ V to }3.6\text{ V}$ | 5.0 | - | - | 5.0 | - | 5.0 | - | ns |
| | | $V_{CC} = 4.5\text{ V to }5.5\text{ V}$ | 5.0 | - | - | 5.0 | - | 5.0 | - | ns |
| t_{su} | set-up time | Dn, \bar{E} to CP; see Figure 7 | | | | | | | | |
| | | $V_{CC} = 3.0\text{ V to }3.6\text{ V}$ | 5.0 | - | - | 5.0 | - | 5.0 | - | ns |
| | | $V_{CC} = 4.5\text{ V to }5.5\text{ V}$ | 4.5 | - | - | 4.5 | - | 4.5 | - | ns |
| t_h | hold time | Dn, \bar{E} to CP; see Figure 7 | | | | | | | | |
| | | $V_{CC} = 3.0\text{ V to }3.6\text{ V}$ | 1.5 | - | - | 1.5 | - | 1.5 | - | ns |
| | | $V_{CC} = 4.5\text{ V to }5.5\text{ V}$ | 2.0 | - | - | 2.0 | - | 2.0 | - | ns |
| C_{PD} | power dissipation capacitance | $f_i = 1\text{ MHz}; V_I = \text{GND to }V_{CC}$ ^[3] | - | 20 | - | - | - | - | - | pF |

Table 7. Dynamic characteristics ...continued

Voltages are referenced to GND (ground = 0 V); for test circuit see [Figure 8](#).

| Symbol | Parameter | Conditions | 25 °C | | | -40 °C to +85 °C | | -40 °C to +125 °C | | Unit |
|---|-------------------------------|---|-------|--------------------|------|------------------|------|-------------------|------|------|
| | | | Min | Typ ^[1] | Max | Min | Max | Min | Max | |
| 74AHCT377; V_{CC} = 4.5 V to 5.5 V | | | | | | | | | | |
| t _{pd} | propagation delay | CP to Qn; see Figure 6 | | | | | | | | |
| | | | | | | | | | | |
| | | C _L = 15 pF | - | 4.0 | 9.0 | 1.0 | 10.5 | 1.0 | 11.5 | ns |
| | | C _L = 50 pF | - | 5.7 | 10.5 | 1.0 | 12.0 | 1.0 | 13.5 | ns |
| f _{max} | maximum frequency | see Figure 6 | | | | | | | | |
| | | | | | | | | | | |
| | | C _L = 15 pF | 90 | 140 | - | 80 | - | 80 | - | MHz |
| | | C _L = 50 pF | 85 | 130 | - | 75 | - | 75 | - | MHz |
| t _W | pulse width | CP HIGH or LOW; see Figure 6 | 5.0 | - | - | 5.0 | - | 5.0 | - | ns |
| t _{su} | set-up time | Dn, \bar{E} to CP; see Figure 7 | 4.5 | - | - | 4.5 | - | 4.5 | - | ns |
| t _h | hold time | Dn, \bar{E} to CP; see Figure 7 | 2.0 | - | - | 2.0 | - | 2.0 | - | ns |
| C _{PD} | power dissipation capacitance | f _i = 1 MHz; V _I = GND to V _{CC} | - | 23 | - | - | - | - | - | pF |

[1] Typical values are measured at nominal supply voltage (V_{CC} = 3.3 V and V_{CC} = 5.0 V).

[2] t_{pd} is the same as t_{PLH} and t_{PHL}.

[3] C_{PD} is used to determine the dynamic power dissipation (P_D in μW).

$$P_D = C_{PD} \times V_{CC}^2 \times f_i \times N + \Sigma(C_L \times V_{CC}^2 \times f_o) \text{ where:}$$

f_i = input frequency in MHz;

f_o = output frequency in MHz;

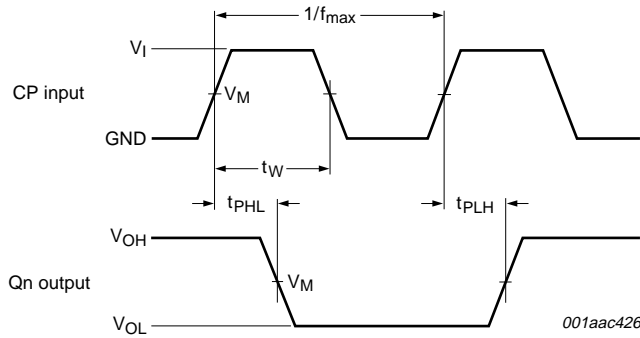
C_L = output load capacitance in pF;

V_{CC} = supply voltage in V;

N = number of inputs switching;

Σ(C_L × V_{CC}² × f_o) = sum of the outputs.

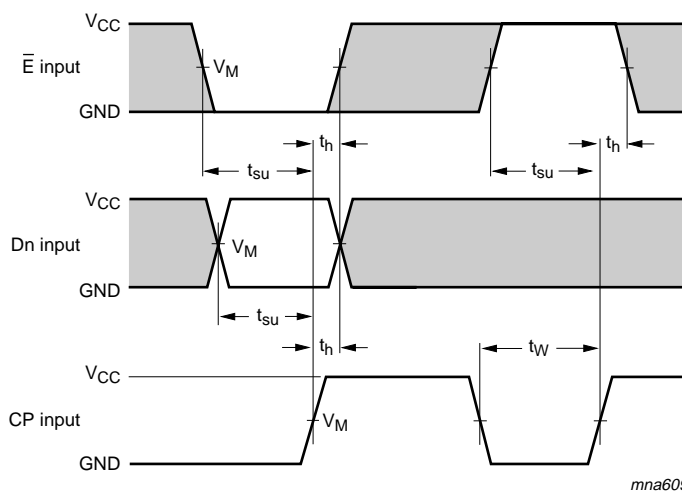
11. Waveforms



Measurement points are given in [Table 8](#).

V_{OL} and V_{OH} are typical voltage output levels that occur with the output load.

Fig 6. Clock pulse width, maximum frequency and input to output propagation delays



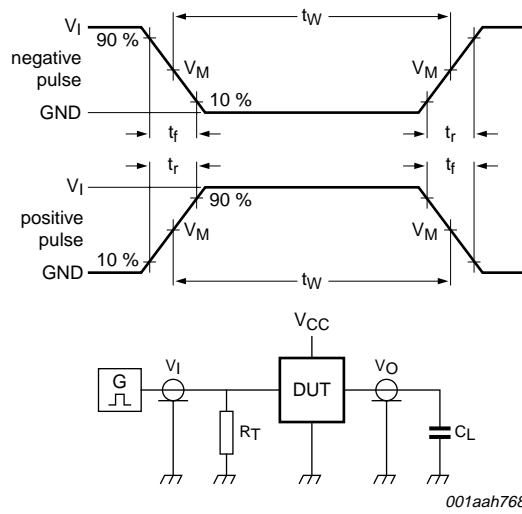
Measurement points are given in [Table 8](#).

The shaded areas indicate when the input is permitted to change for predictable output performance.

Fig 7. Data set-up and hold times

Table 8. Measurement points

| Type | Input | Output |
|-----------|---------------------|---------------------|
| | V_M | V_M |
| 74AHC377 | $0.5 \times V_{CC}$ | $0.5 \times V_{CC}$ |
| 74AHCT377 | 1.5 V | $0.5 \times V_{CC}$ |



001aah768

Test data is given in [Table 9](#).

Definitions test circuit:

R_T = termination resistance should be equal to output impedance Z_o of the pulse generator.

C_L = load capacitance including jig and probe capacitance.

Fig 8. Load circuitry for measuring switching times

Table 9. Test data

| Type | Input | | Load | Test |
|-----------|----------|---------------|--------------|--------------------|
| | V_I | t_r, t_f | C_L | |
| 74AHC377 | V_{CC} | ≤ 3.0 ns | 15 pF, 50 pF | t_{PLH}, t_{PHL} |
| 74AHCT377 | 3.0 V | ≤ 3.0 ns | 15 pF, 50 pF | t_{PLH}, t_{PHL} |

12. Package outline

SO20: plastic small outline package; 20 leads; body width 7.5 mm

SOT163-1

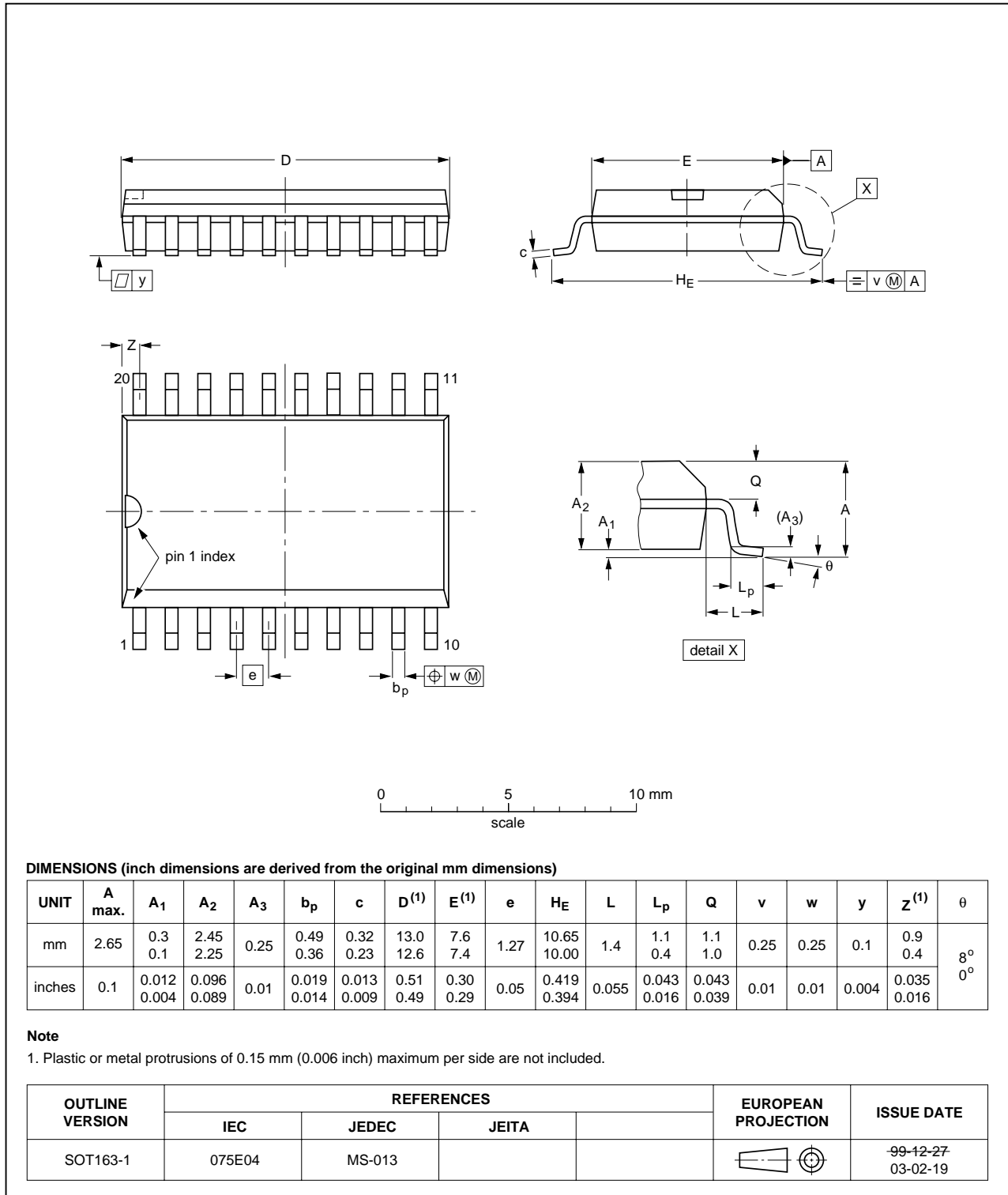


Fig 9. Package outline SOT163-1 (SO20)

TSSOP20: plastic thin shrink small outline package; 20 leads; body width 4.4 mm

SOT360-1

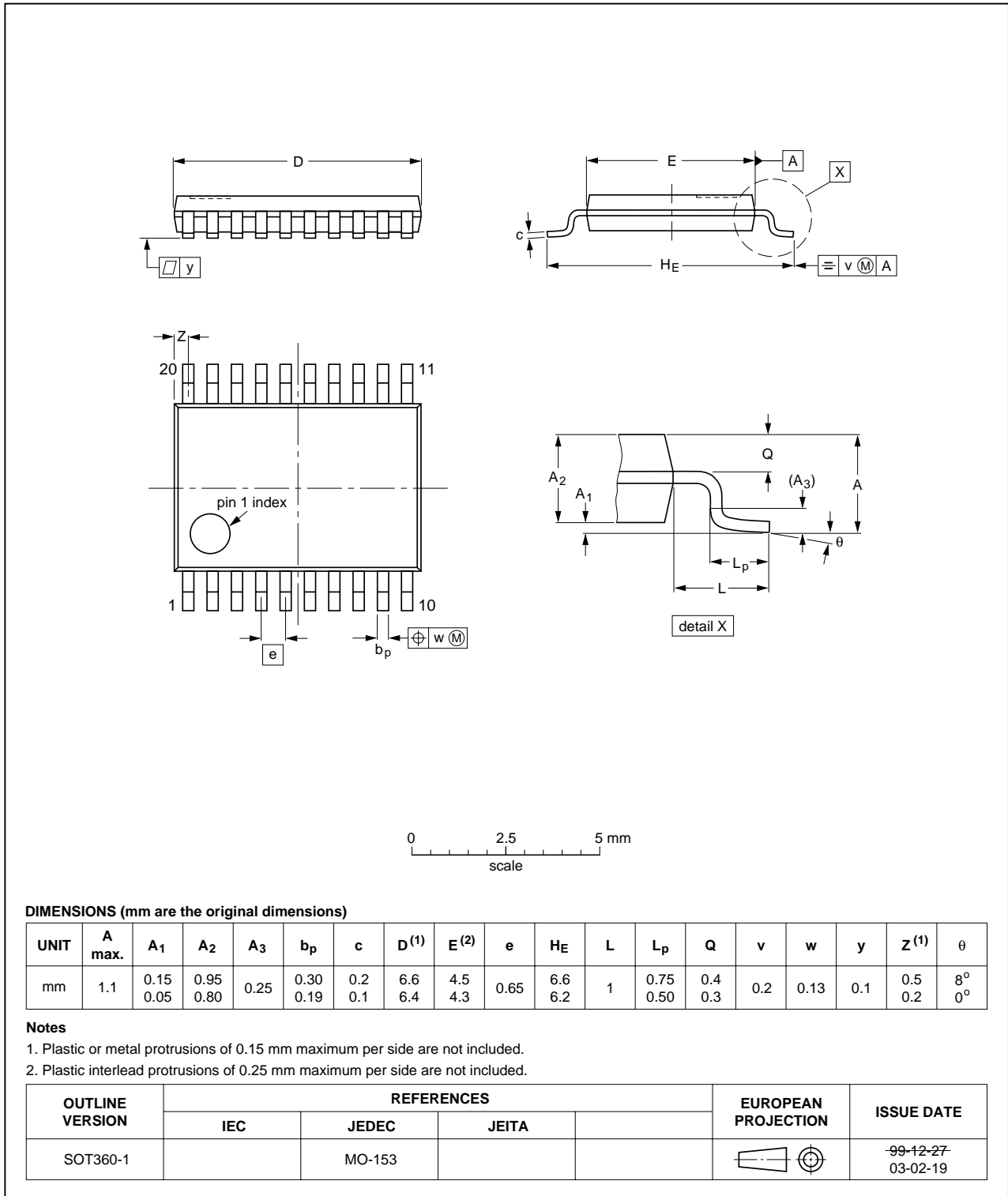


Fig 10. Package outline SOT360-1 (TSSOP20)

13. Abbreviations

Table 10. Abbreviations

| Acronym | Description |
|---------|--|
| CDM | Charged Device Model |
| CMOS | Complementary Metal-Oxide Semiconductor |
| DUT | Device Under Test |
| ESD | ElectroStatic Discharge |
| HBM | Human Body Model |
| LSTTL | Low-power Schottky Transistor-Transistor Logic |
| MM | Machine Model |

14. Revision history

Table 11. Revision history

| Document ID | Release date | Data sheet status | Change notice | Supersedes |
|-----------------|---|-----------------------|---------------|-----------------|
| 74AHC_AHCT377_2 | 20080612 | Product data sheet | - | 74AHC_AHCT377_1 |
| Modifications: | <ul style="list-style-type: none"> The format of this data sheet has been redesigned to comply with the new identity guidelines of NXP Semiconductors. Legal texts have been adapted to the new company name where appropriate. Table 6: the conditions for input leakage current have been changed. | | | |
| 74AHC_AHCT377_1 | 20000815 | Product specification | - | - |

15. Legal information

15.1 Data sheet status

| Document status ^{[1][2]} | Product status ^[3] | Definition |
|-----------------------------------|-------------------------------|---|
| Objective [short] data sheet | Development | This document contains data from the objective specification for product development. |
| Preliminary [short] data sheet | Qualification | This document contains data from the preliminary specification. |
| Product [short] data sheet | Production | This document contains the product specification. |

[1] Please consult the most recently issued document before initiating or completing a design.

[2] The term 'short data sheet' is explained in section "Definitions".

[3] The product status of device(s) described in this document may have changed since this document was published and may differ in case of multiple devices. The latest product status information is available on the Internet at URL <http://www.nexperia.com>.

15.2 Definitions

Draft — The document is a draft version only. The content is still under internal review and subject to formal approval, which may result in modifications or additions. Nexperia does not give any representations or warranties as to the accuracy or completeness of information included herein and shall have no liability for the consequences of use of such information.

Short data sheet — A short data sheet is an extract from a full data sheet with the same product type number(s) and title. A short data sheet is intended for quick reference only and should not be relied upon to contain detailed and full information. For detailed and full information see the relevant full data sheet, which is available on request via the local Nexperia sales office. In case of any inconsistency or conflict with the short data sheet, the full data sheet shall prevail.

15.3 Disclaimers

General — Information in this document is believed to be accurate and reliable. However, Nexperia does not give any representations or warranties, expressed or implied, as to the accuracy or completeness of such information and shall have no liability for the consequences of use of such information.

Right to make changes — Nexperia reserves the right to make changes to information published in this document, including without limitation specifications and product descriptions, at any time and without notice. This document supersedes and replaces all information supplied prior to the publication hereof.

Suitability for use — Nexperia products are not designed, authorized or warranted to be suitable for use in medical, military, aircraft, space or life support equipment, nor in applications where failure or

malfunction of a Nexperia product can reasonably be expected to result in personal injury, death or severe property or environmental damage. Nexperia accepts no liability for inclusion and/or use of Nexperia products in such equipment or applications and therefore such inclusion and/or use is at the customer's own risk.

Applications — Applications that are described herein for any of these products are for illustrative purposes only. Nexperia makes no representation or warranty that such applications will be suitable for the specified use without further testing or modification.

Limiting values — Stress above one or more limiting values (as defined in the Absolute Maximum Ratings System of IEC 60134) may cause permanent damage to the device. Limiting values are stress ratings only and operation of the device at these or any other conditions above those given in the Characteristics sections of this document is not implied. Exposure to limiting values for extended periods may affect device reliability.

Terms and conditions of sale — Nexperia products are sold subject to the general terms and conditions of commercial sale, as published at <http://www.nexperia.com/profile/terms>, including those pertaining to warranty, intellectual property rights infringement and limitation of liability, unless explicitly otherwise agreed to in writing by Nexperia. In case of any inconsistency or conflict between information in this document and such terms and conditions, the latter will prevail.

No offer to sell or license — Nothing in this document may be interpreted or construed as an offer to sell products that is open for acceptance or the grant, conveyance or implication of any license under any copyrights, patents or other industrial or intellectual property rights.

15.4 Trademarks

Notice: All referenced brands, product names, service names and trademarks are the property of their respective owners.

16. Contact information

For more information, please visit: <http://www.nexperia.com>

For sales office addresses, please send an email to: salesaddresses@nexperia.com

17. Contents

| | | |
|-----------|---|-----------|
| 1 | General description | 1 |
| 2 | Features | 1 |
| 3 | Ordering information | 2 |
| 4 | Functional diagram | 2 |
| 5 | Pinning information | 4 |
| 5.1 | Pinning | 4 |
| 5.2 | Pin description | 4 |
| 6 | Functional description | 5 |
| 7 | Limiting values | 5 |
| 8 | Recommended operating conditions | 6 |
| 9 | Static characteristics | 6 |
| 10 | Dynamic characteristics | 8 |
| 11 | Waveforms | 10 |
| 12 | Package outline | 12 |
| 13 | Abbreviations | 14 |
| 14 | Revision history | 14 |
| 15 | Legal information | 15 |
| 15.1 | Data sheet status | 15 |
| 15.2 | Definitions | 15 |
| 15.3 | Disclaimers | 15 |
| 15.4 | Trademarks | 15 |
| 16 | Contact information | 15 |
| 17 | Contents | 16 |