

Materials

- 1. Brass, nickel plating, 1µm minimum
- 2. Nylon PA46, black

Electrical requirements

Dielectric strength: 1 min @ 500 Vac
 Insulation resistance: 100 MΩ @ 500 Vdc
 Contact resistance: 50 mΩ or less

Mechanical requirements

Insertion force: 0.4 ~ 4 kgf
 Withdrawl force: 0.4 ~ 4 kgf
 Durability: 5000 mating cycles while maintaining insertion force of 0.3 ~ 4 kg; withdrawl force of 0.3 ~ 4 kgf; contact resistance of 60mΩ or less.

Environmental tests

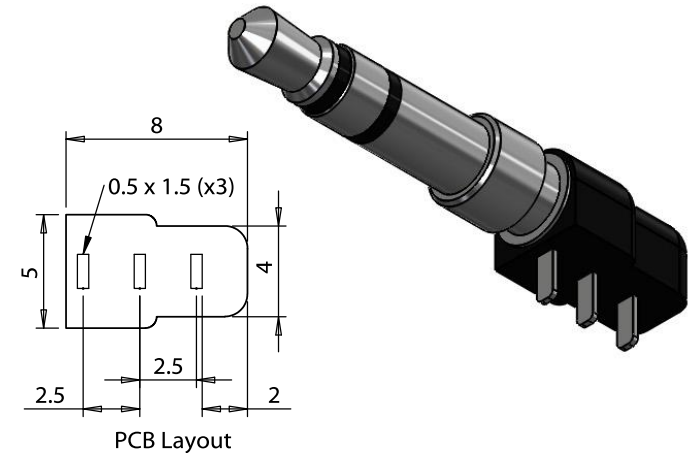
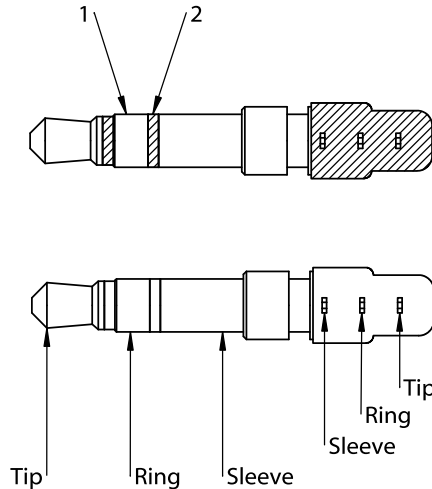
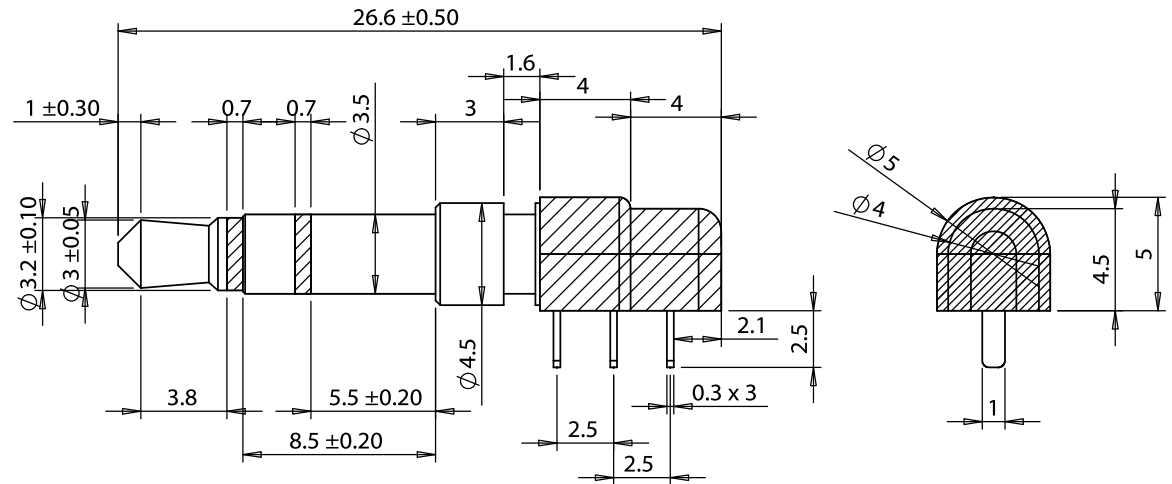
Damp test: 40 °C, RH 90-100% for 96 hrs. Cool to ambient and recover for 2 hours. Maintain dielectric strength of 500 Vac for 1 min, insulation resistance of 50 MΩ @ 500 Vdc minimum.

Dry test: 70 °C, RH 70-85% for 96 hrs. Cool to ambient and recover for 2 hours. Maintain contact resistance of 100 mΩ or less with no looseness or deformation.

Salt spray test: 35 ±2 °C, RH 90-95%, 5% NaCl mist for 24 hrs. Wash parts after test. Maintain mechanical requirements and a contact resistance of less than 100 mΩ.

Operating range

-25 to 70 °C, relative humidity of 85% or less



REVISION	DATE	DESCRIPTION
A	7/9/2015	Initial release
A1	10/27/2015	Added PCB dimensioning and wiring information

PREPARED:
GL 2015.10.27 15:50:15 -07'00'

VERIFIED:
 AG 2015.10.27 15:51:37 -07'00'

DIMENSIONS ARE IN MILLIMETERS

TOLERANCES:
 X: ± 0.5 mm
 X.X: ± 0.3 mm
 X.XX: ± 0.05 mm

NOTES
 RoHS compliant
 Drawing in third angle projected

DESCRIPTION:
 Connector, 3C audio plug, 3.5xL26.6 mm, brass, nickel plated, PCB mount

TENSILITY

20802 Sockeye Place #130
 Bend, OR 97701 USA
 tel 541.323.3228 fax 541.323.4202
 800 877.670.7118 www.tensility.com

SIZE A	PART NUMBER 54-00036
SCALE: 5:1	WEIGHT:
SHEET 1 OF 1	