

# Type LPR-02 In-Line Fuse Holder Automotive Blade Fuses - APRs Splashproof Type



www.optifuse.com

(619) 593-5050

## Ratings:

**Fuse Type:** Automotive Blade – APRs, ANRs

**Electrical Rating:** 58VDC

**Temperature Rating:** -40° C to 85° C

**Body:** PVC (UL94V-0)

**Contacts:** Brass

**IP Rating:** IP65

**Wire Type:** UL1015 rated to FT1 (VW1) – Stranded

**Standard Wire Sizes:** #12 ~ #18 AWG

**Standard Wire Colors:** See Table

**Standard Body colors:** Black

**Standard Wire Length:** 4 inches

## Part number format

**LPR-02B-##Z**

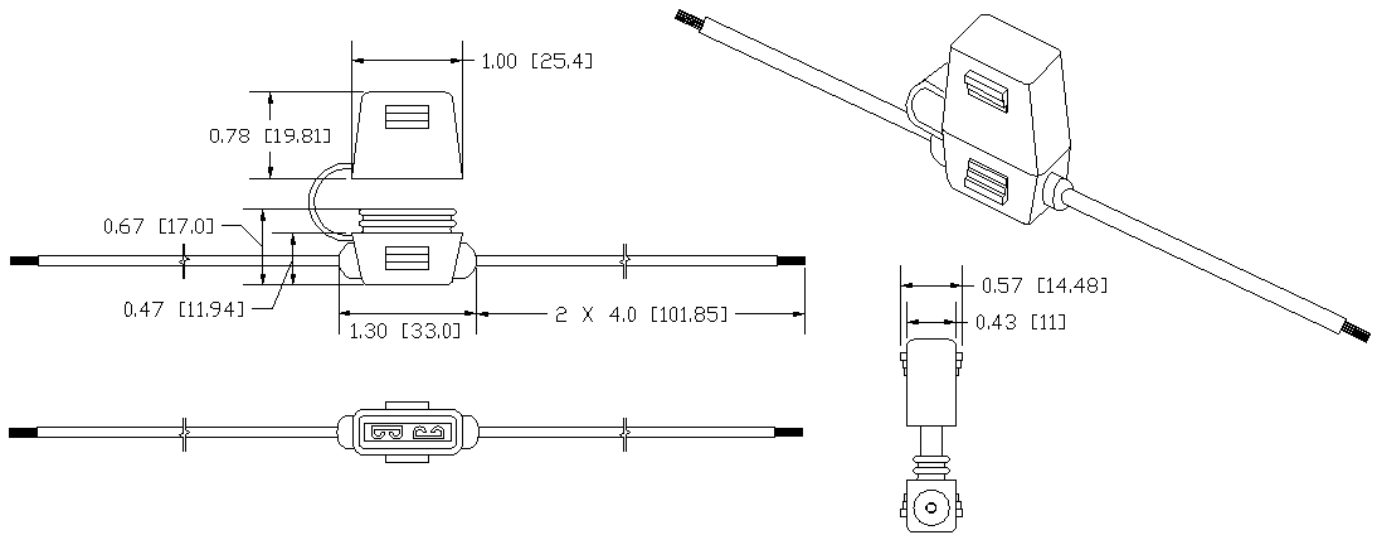
Where ## = Wire Gauge

Z = Wire color (R, Y, OR, B)

Wire Gauge	Standard Wire Colors	Max. Amperage
#12	Red, Yellow, Orange	30A
#14	Red, Black, Yellow	20A
#16	Red, Black	15A
#18	Red, Black	10A

Available in various wire gauges and lengths, and body and wire colors.  
Contact factory for those not listed above.

## Mechanical Dimensions: Inches [mm]



## Warning:



- Operation beyond the specified maximum ratings or improper use may result in damage and possible electrical arcing and/or flame.
- Avoid contact of device with chemical solvent. Prolonged contact may damage the device performance.
- Not designed for prolonged liquid exposure or submersible applications.