

Flexible LED Light Strip

30 LEDs per strip



OVQ12S30x7

Features:

- 1 Strip
- Length: 19.7 inches
- Contains 30 LEDs
- Unit Price = 1 strip



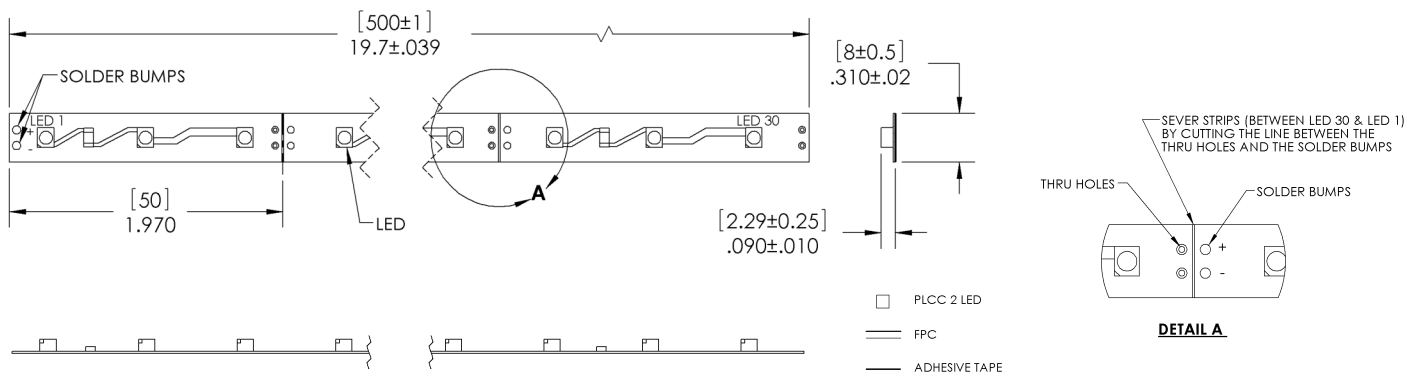
Description:

This LED Light Strip is a flexible and scalable lighting solution using high brightness LEDs to supply illumination for residential, commercial, and industrial applications. Up to 16 feet (5 meters) can be operated with a single 12V power supply. Dual-sided tape provides easy installation in most indoor applications and allows many different configurations.

Applications:

- Commercial and residential decoration
- Under-counter lighting
- Media illumination
- Large area backlighting
- Small to medium channel letters
- Point-of-sale displays
- Neon replacement

Part Number	Color	Material	Dominant Wavelength λ D (nm) or CCT (K) Typical	Typical Illumination (lux @ 0.5m)
OVQ12S30B7	Blue	InGaN	470nm	20
OVQ12S30G7	Green	InGaN	525nm	50
OVQ12S30R7	Red	AllnGaP	625nm	32
OVQ12S30W7	White	InGaN	5500°K	68
OVQ12S30Y7	Yellow	AllnGaP	590nm	32



Notes:

- All dimensions are in inches [millimeters].
- Each strip begins with solder pads for wire connection.
- 12-volt, 20 Watt power supply is sufficient for up to 300 LEDs (1 reel).
- For smaller applications, the strip can be cut at the end of any 1.97" section.
- To add solder bumps to the cut sections, the X-Acto® #16 scoring blade works very well to expose the copper contacts. Caution should be exercised so as not to remove the copper coating.



DO NOT LOOK DIRECTLY AT LED WITH UNSHIELDED EYES OR DAMAGE TO RETINA MAY OCCUR.

General Note

TT Electronics reserves the right to make changes in product specification without notice or liability. All information is subject to TT Electronics' own data and is considered accurate at time of going to print.

TT Electronics | OPTEK Technology
 2900 E. Plano Pkwy, Plano, TX 75074 | Ph: +1 972 323 2200
 www.ttelectronics.com | sensors@ttelectronics.com

Electrical Specifications

Absolute Maximum Ratings ($T_A = 25^\circ\text{C}$ unless otherwise noted)

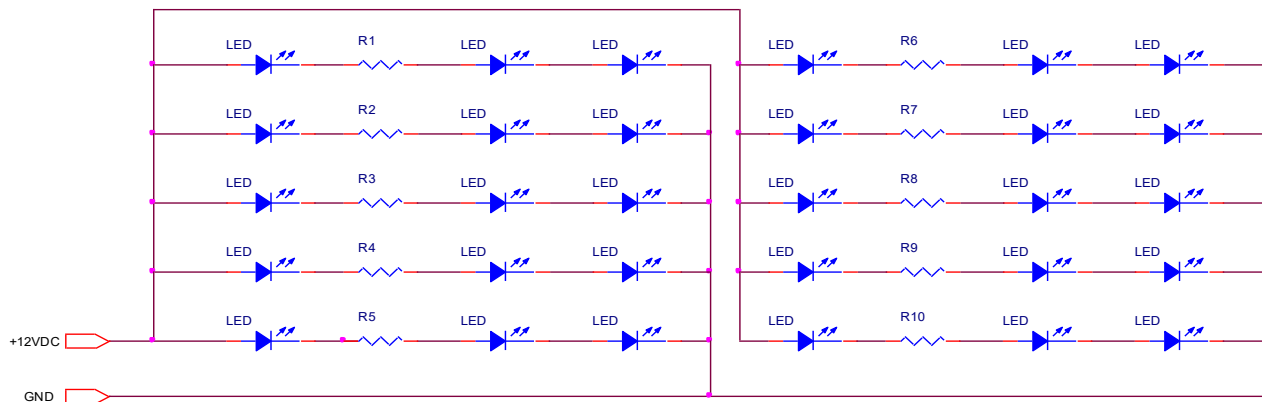
Storage Temperature Range		-40 ~ +80° C
Operating Temperature Range		-30 ~ +50° C
Mounting Surface Temperature		60° C
Input Voltage (DC)		12 V
Power Dissipation	Red / Yellow	2.7 W
	Green / Blue White	2.3 W
LED Junction Temperature		125° C
Electrostatic Discharge Classification (JEDEC-JESD22-A114F)		Class 1C
Flammability Rating of the Flex Circuit		V0

Typical Specification ($T_A = 25^\circ\text{C}$ unless otherwise noted)

Input Voltage (DC)*		12 V
Power Consumption	Red / Yellow	1.9 W
	Green / Blue White	1.6 W
Beam Angle		120°
Net Weight		5 g

* Exceeding the typical input voltage can damage the LEDs and reduce the operating life of the product.

Product Circuit



General Note

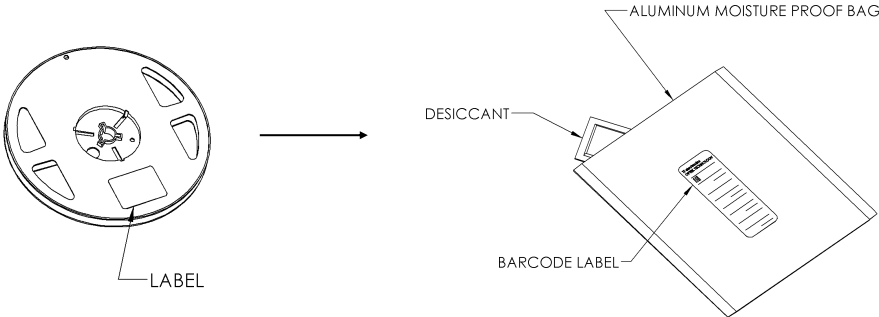
TT Electronics reserves the right to make changes in product specification without notice or liability. All information is subject to TT Electronics' own data and is considered accurate at time of going to print.

Flexible LED Light Strip

OVQ12S30x7



Packaging: 7" reel / 10 strips per reel



General Note
TT Electronics reserves the right to make changes in product specification without notice or liability. All information is subject to TT Electronics' own data and is considered accurate at time of going to print.