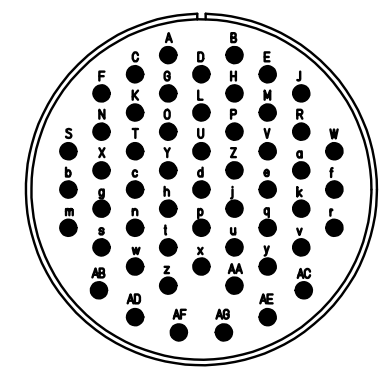
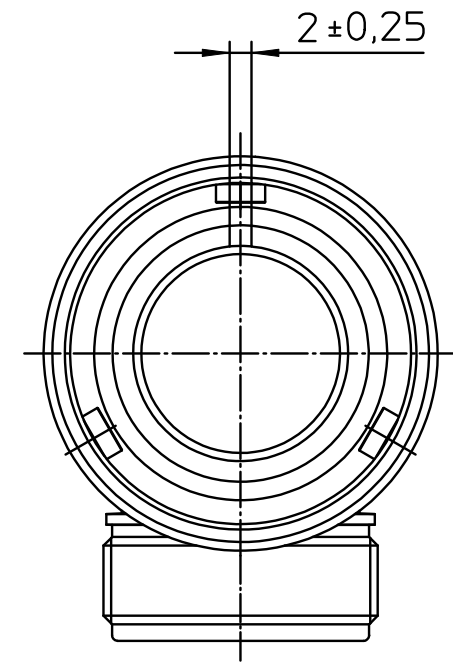
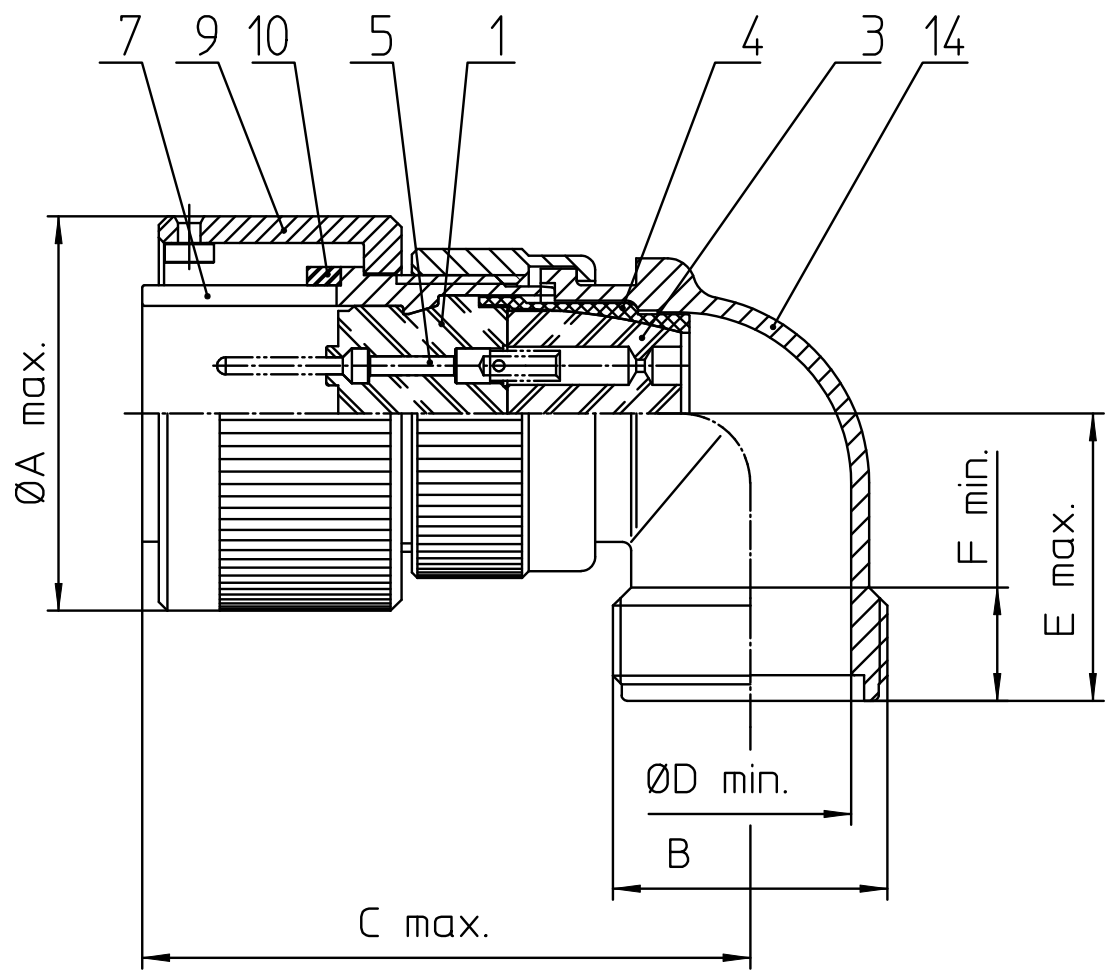


NO.	MASSE / DIMENSION
A	60.1
B	1 3/4-18UNS-2A
C	72
D	37.4
E	39.5
F	11



NO.	BESCHREIBUNG / DESCRIPTION
1	ISOLIERKÖRPER STIFT / INSULATOR PIN
3	DICHTKÖRPER / GROMMET
4	ENDRING / ENDRING
5	KONTAKTSTIFT/ CONTACT PIN
7	ZYLINDERGHÄUSE / BARREL
9	ÜBERWURFMUTTER / COUPLING NUT
10	DICHTRING FRONT / FRONT SEALING RING
11	SCHIRMKRANZ/SHIELDING BRAID
14	F-ENDGEHÄUSE / F-ENDBELL

Note: Due to an automatic nomenclature system, numbers generated may not be sequential.  
 Specification and Dimensions subject to change  
 Drawings illustrate normal insulator positioning

<b>Material Specification:</b>	
Shell Material:	Aluminium alloy
Shell Plating:	Olive drab chromate over cadmium (conductive)
Insulator Material:	CR-Elastomere
Contact Material:	Copper alloy
Contact Plating:	Hard silver

all dimensions are in mm  
 Dimensions without tolerance indications are general tolerances in acc. with DIN7168m

drawing for  
**CUSTOMER**

**ITT**  
 Engineered for life  
 ITT CANNON GmbH  
 D - 71384 Weinstadt/Germany

description **CA3108F32A10PXB-15**  
 Plug, 90° shielded  
 Shielded with endbell for shielded braids & heat shrinkable boots  
 AWG Crimp / Pin / Layout: 32A10