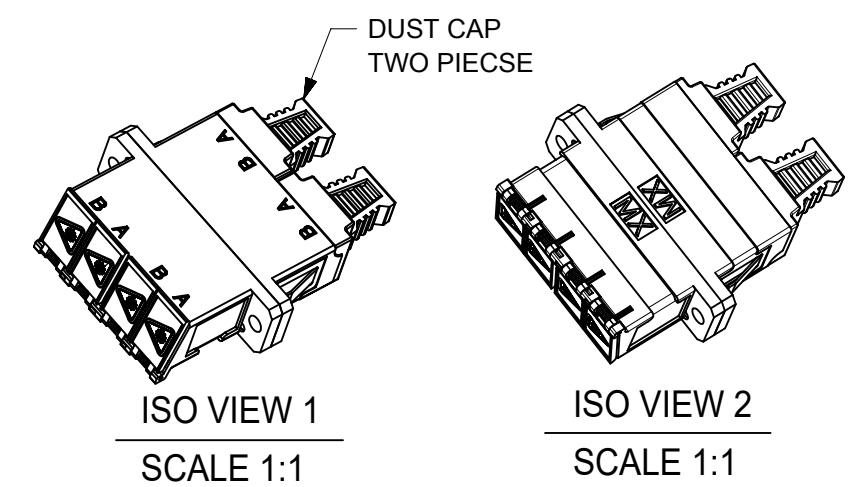
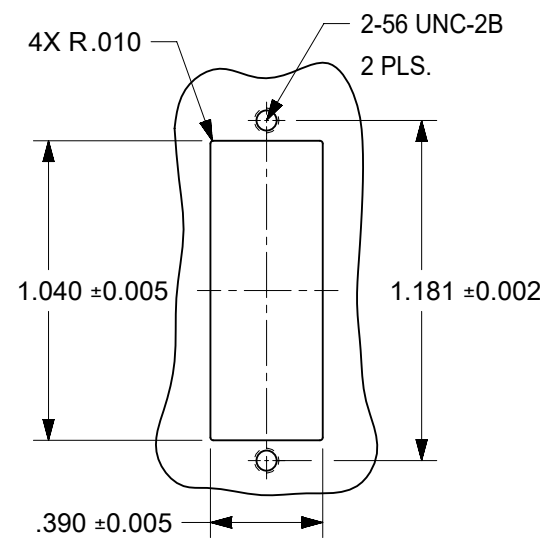
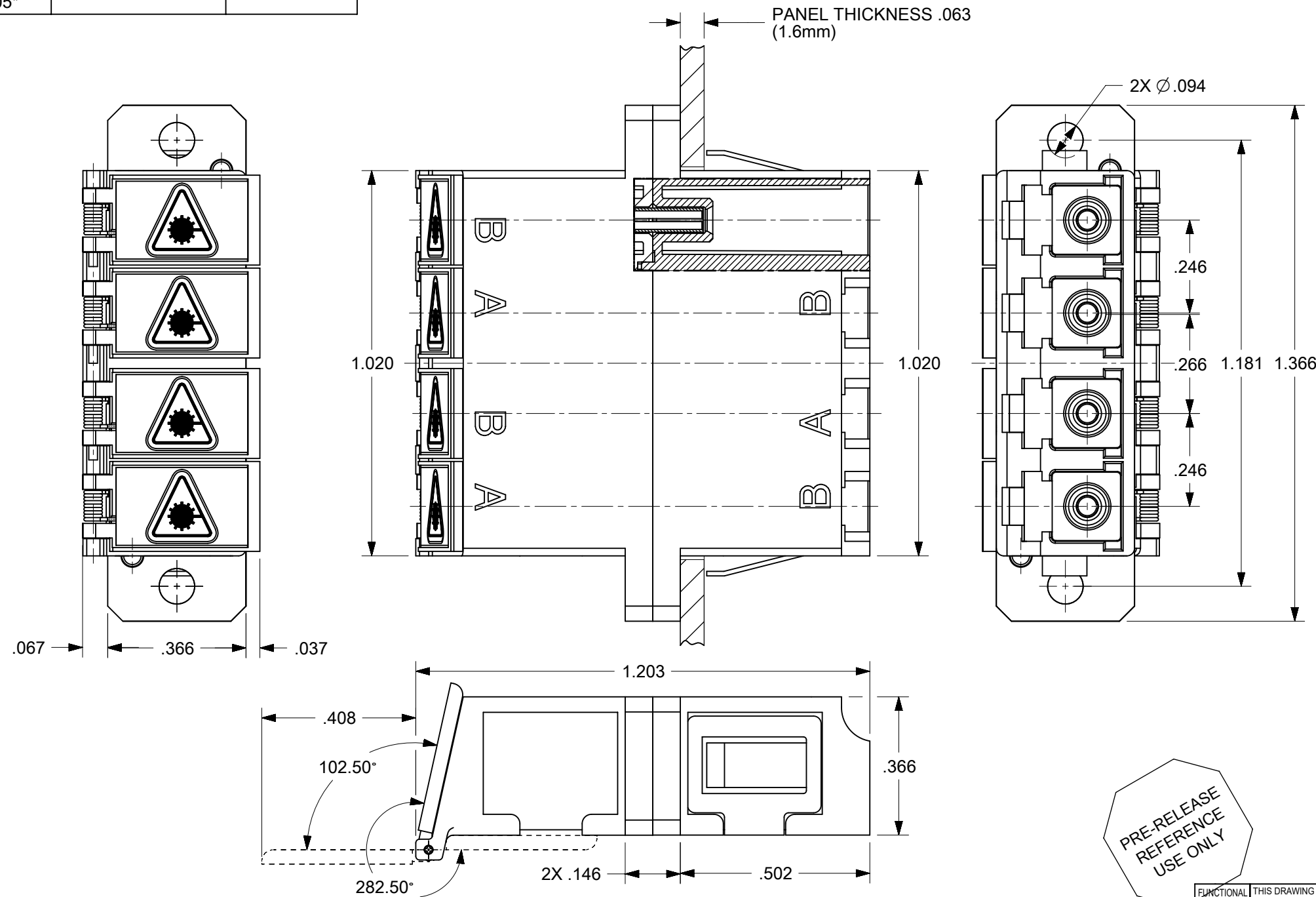


LC QUAD ADAPTER P/N	LC QUAD ADAPTER COLOR	SPLIT SLEEVE MATERIAL
106123-0200	BLUE	ZR
106123-0205*		
106123-1200	BEIGE	
106123-1205*		
106123-2200	GREEN	
106123-3200	AQUA	
106123-3205*		



NOTES:
 1. ALL DIMENSIONS ARE FOR REFERENCE
 2. DUST CAPS NOT SHOWN ON FRONT, BOTTOM AND RIGHT VIEW.
 3. LC QUAD ADAPTER HAS SC DUPLEX ADAPTER FOOTPRINT.
 4.P/NS MARKED WITH() ARE BULK PACKED IN QUANTITIES OF 100PCS

FUNCTIONAL SYMBOLS	DIMENSION UNITS	SCALE	CURRENT REV DESC:			
∇ = 0	INCH	4:1	THIS DRAWING CONTAINS INFORMATION THAT IS PROPRIETARY TO MOLEX ELECTRONIC TECHNOLOGIES, LLC AND SHOULD NOT BE USED WITHOUT WRITTEN PERMISSION			
∇ = 0	GENERAL TOLERANCES (UNLESS SPECIFIED)		EC NO: 689237			
∇ = 0	ANGULAR TOL ± °		DRWN: JHUANG18 2021/12/10			
DIVISIONAL SYMBOLS	4 PLACES ±		CHKD: IGUMIN 2021/12/21			
	3 PLACES ±		APPR: IGUMIN 2021/12/21			
	2 PLACES ±		INITIAL REVISION:			
	1 PLACE ±		DRWN: PGIBLIN 2005/12/06			
	0 PLACES ±		APPR: IGUMIN 2005/12/06			
DRAFT WHERE APPLICABLE MUST REMAIN WITHIN DIMENSIONS	THIRD ANGLE PROJECTION	DRAWING	SERIES	MATERIAL NUMBER	CUSTOMER	SHEET NUMBER
		B-SIZE	106123	SEE TABLE	GENERAL MARKET	1 OF 1

molex

LC QUAD ADAPTER WITH SHUTTERS (SCREW AND SNAP MOUNT)

PRODUCT CUSTOMER DRAWING

DOCUMENT NUMBER: SD-106123-X200
 DOC TYPE: PSD
 DOC PART: 001
 REVISION: B

DOCUMENT STATUS	RELEASE DATE