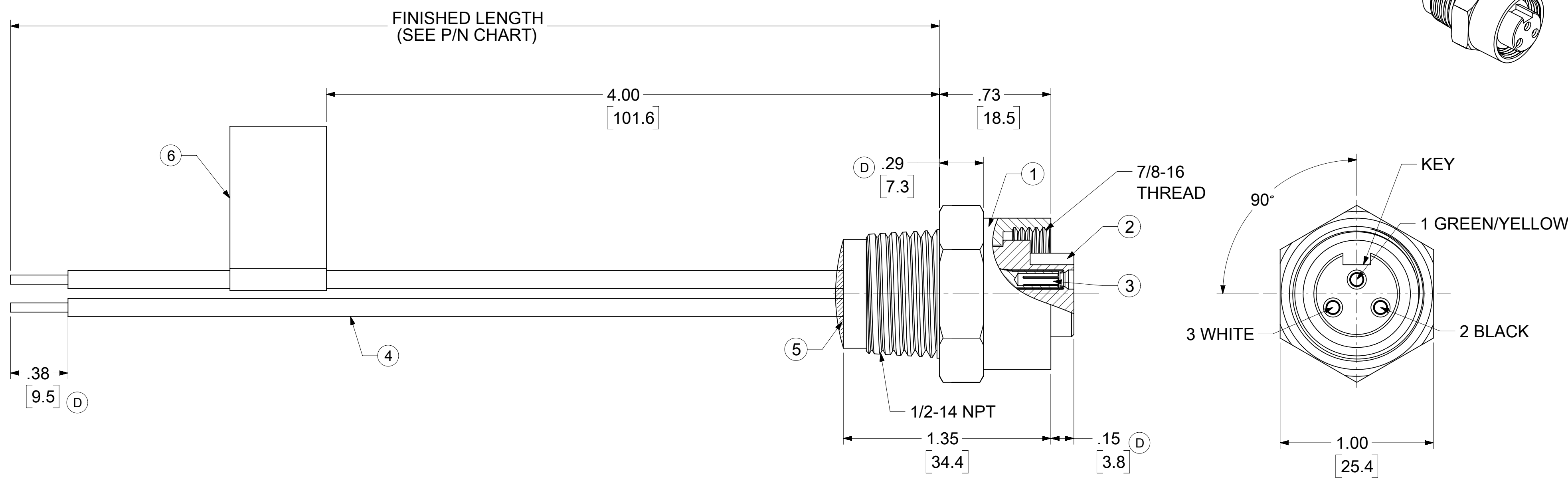
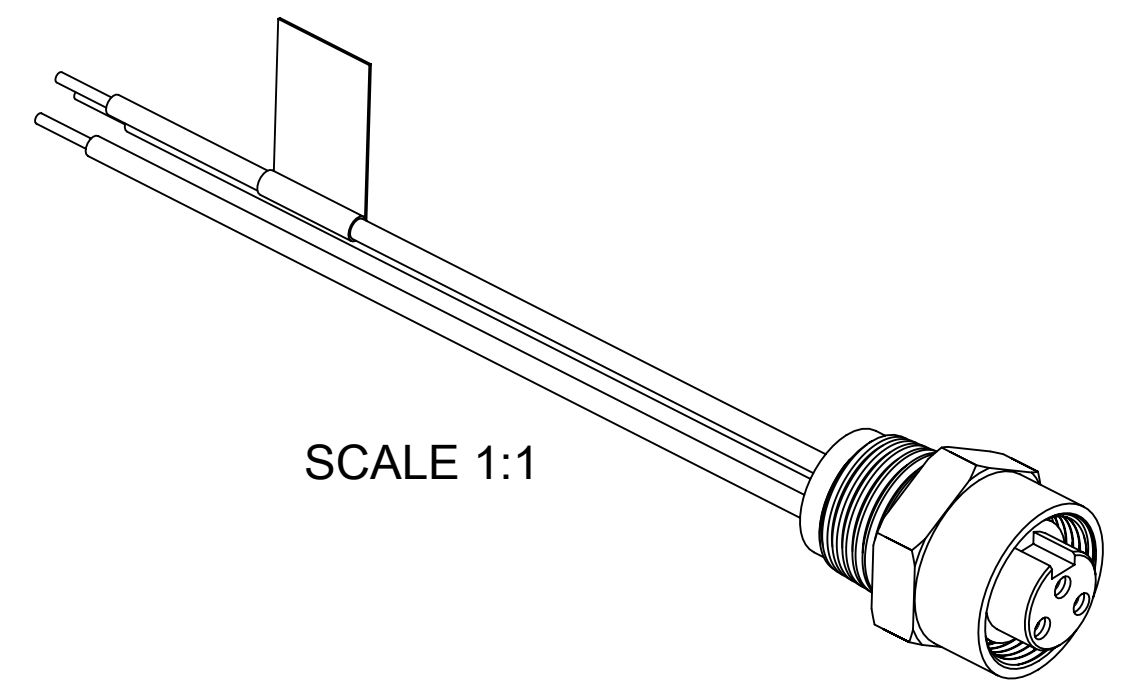
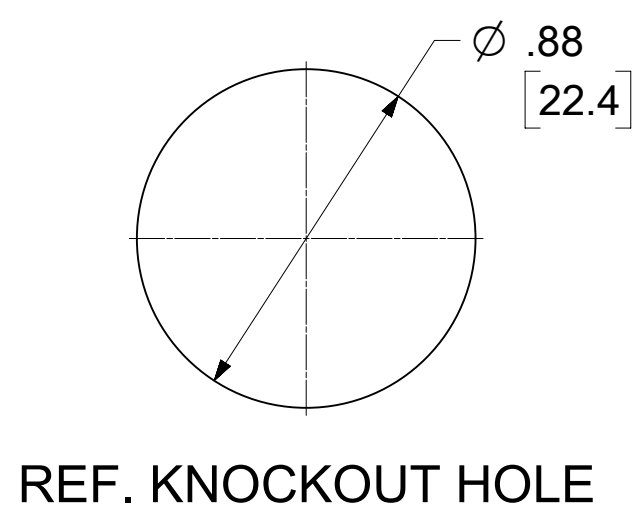


MATERIAL NO.	ENGINEERING NO.	FINISHED LENGTH
1300130110	1R3000A20M005	1 FT 7.7 IN (0.5M)
1300130113	1R3000A20M030	9 FT 10.1 IN (3.0M)
1300130115	1R3000A20M050	16 FT 4.9 IN (5.0M)

TOLERANCE CHART					
FINISH LENGTH [FT]			FINISH LENGTH [M]		
OVER	UNDER	TOLERANCE [IN]	OVER	UNDER	TOLERANCE [mm]
0.00	.167	N/A	0.0	0.05	NA
.167	.500	+ .63 -0	0.05	0.15	+16 -0
.500	1.00	+ .75 -0	0.15	0.3	+19 -0
1.00	3.00	+1.75 -0	0.3	0.9	+44.5 -0
3.00	6.00	+2.19 -0	0.9	1.8	+55.6 -0
6.00	12.00	+3.50 -0	1.8	3.7	+88.8 -0
12.00	24.00	+6.50 -0	3.7	7.3	+165.1 -0
24.00	48.00	+12.50 -0	7.3	21.9	+317.5 -0
48.00	96.00	+24.50 -0	21.9	29.3	+622.3 -0
96.00	~	+2.00% -0	29.3	~	+2% OF FIN LGTH



- NOTES:
1. MATERIAL: AS NOTED
  2. FINISH: AS NOTED
  3. ELECTRICAL:  
VOLTAGE: 500V PER IEC60664  
600V PER UL2238  
CURRENT: 13A
  4. TEMP RATING: -20°C TO +105°C
  5. PROTECTION: IP67 (WHEN MATED)
  6. UL RECOGNIZED FILE: E152210  
CSA CERTIFIED FILE: LR6837
  7. ALL DIMS ARE FOR REFERENCE UNLESS TOLERANCED OR NOTED OTHERWISE



**PART NO. MATRIX**  
**1R3000A20M005**

FINISHED LENGTH  
M005 = 0.5 METER  
M010 = 1.0 METER  
M100 = 10.0 METERS

ITEM	DESCRIPTION	MATERIAL	FINISH
6	FLAG LABEL	VINYL	BLACK/YELLOW
5	POTTING MATERIAL	EPOXY	
4	WIRE #16 (UL 1015)	PVC INSULATION	SEE FACE VIEW
3	CONTACT SOCKET & SLEEVE ASSY.	Cu ALLOY	GOLD PLATED
2	INSERT	TPE	YELLOW
1	RECEPTACLE SHELL	ZINC (DIE-CAST)	NICKEL PLATED

THIS DRAWING CONTAINS INFORMATION THAT IS PROPRIETARY TO MOLEX ELECTRONIC TECHNOLOGIES, LLC AND SHOULD NOT BE USED WITHOUT WRITTEN PERMISSION

DIMENSION UNITS <b>INCH/MM</b>	SCALE <b>2:1</b>	CURRENT REV DESC: ITEM 2 WAS PVC, MATERIAL TAB, UL & TOLERANCE CHART MODIFIED. DIMS & CSA ADDED.	<b>molex</b>		
GENERAL TOLERANCES (UNLESS SPECIFIED)	ANGULAR TOL ± 0.5°	EC NO: 641453			
4 PLACES ±		DRWN: PDODDAMANEMY 2020/03/31	PRODUCT CUSTOMER DRAWING		
3 PLACES ±		CHK'D: RSTONE 2020/07/20	DOCUMENT NUMBER		
2 PLACES ± 0.13		APPR: BWOODMAN 2020/07/27	SD-130013-085		
1 PLACE ± 0.3		INITIAL REVISION:	DOC TYPE	DOC PART	REVISION
0 PLACES ±		DRWN: RSTONE 2009/08/26	PSD	001	D
		APPR: JFMURPHY 2009/08/27	MATERIAL NUMBER	CUSTOMER	SHEET NUMBER
DRAFT WHERE APPLICABLE MUST REMAIN WITHIN DIMENSIONS	THIRD ANGLE PROJECTION	DRAWING	SEE TABLE	GENERAL MARKET	1 OF 1
		C-SIZE	SERIES		
			130013		