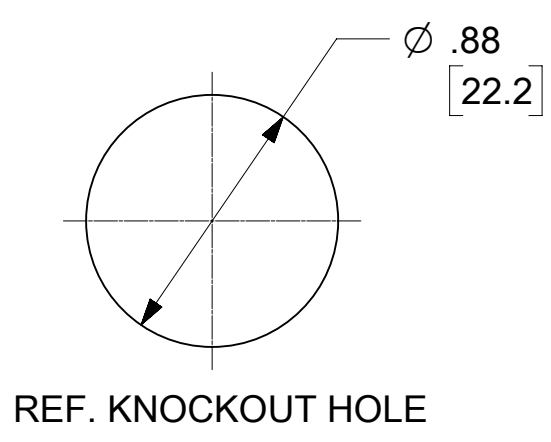
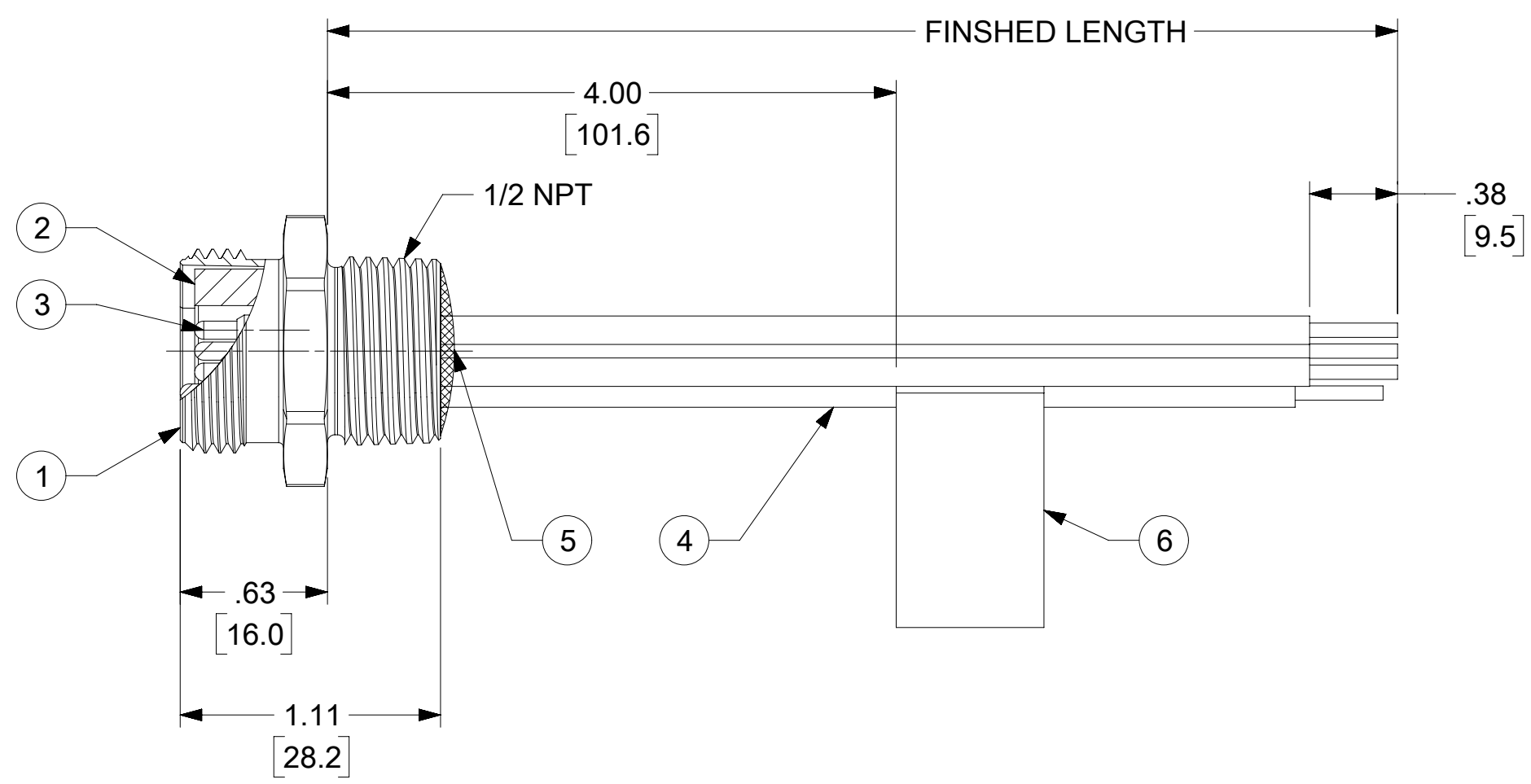
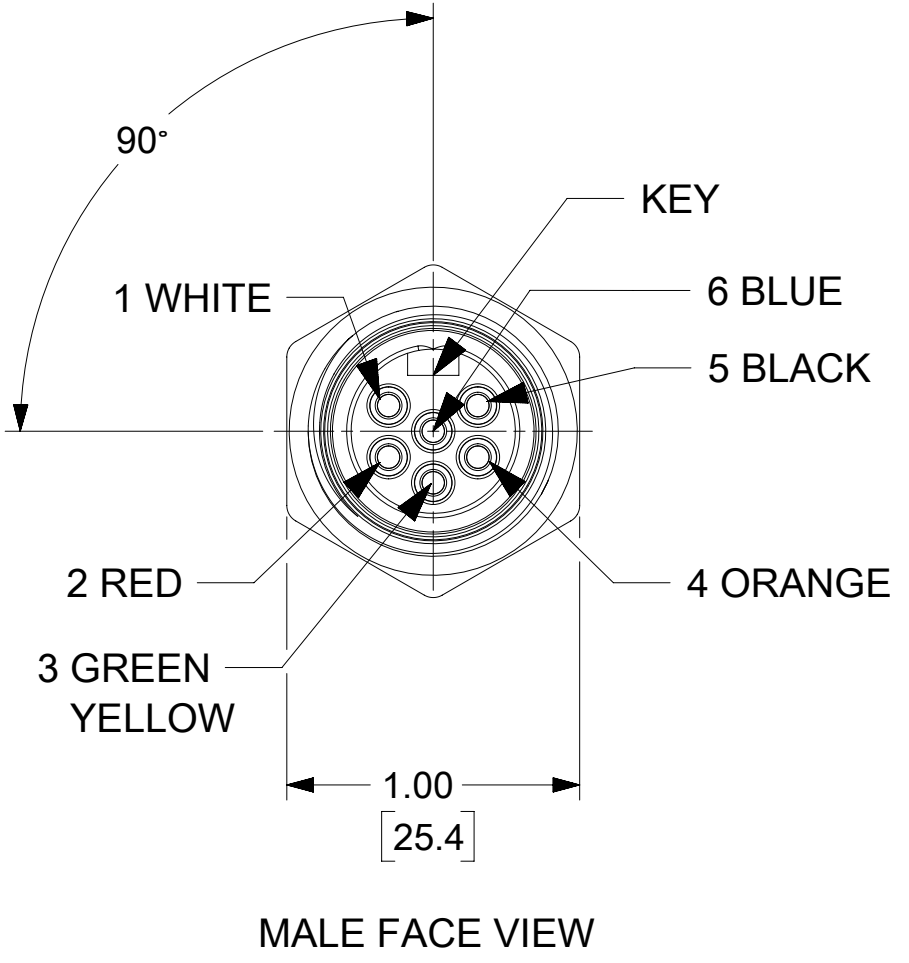
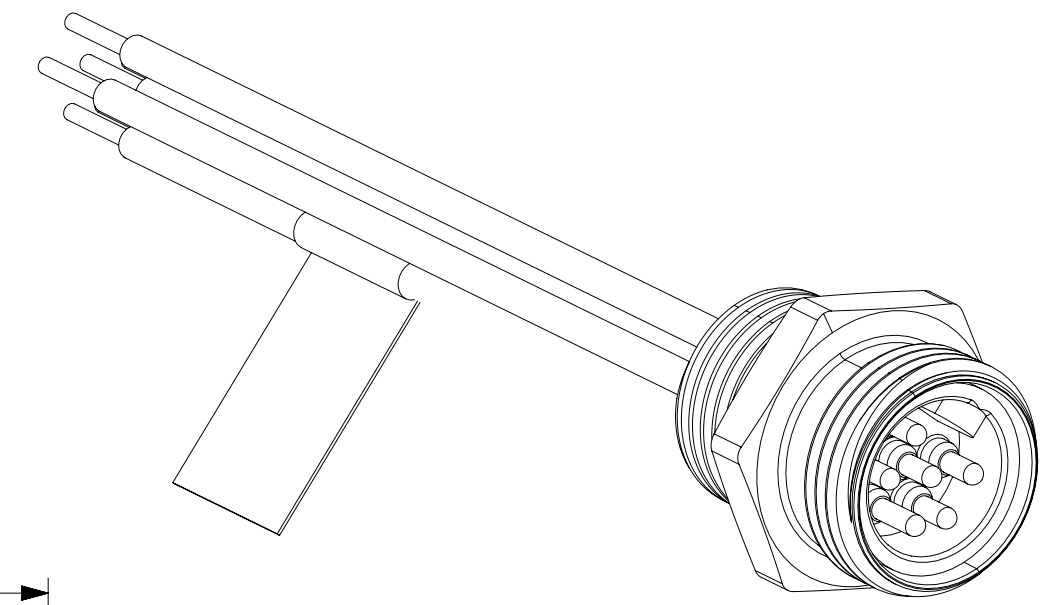


PART NO.	ENGINEERING NO.	FINISHED LENGTH
1300130593	1R6006A20A120	12 IN (0.30M)
1300130603	1R6006A20F030	3 FT (0.90M)
1300130017	1R6006A20M020	2M (6 FT, 7 IN)

CABLE LENGTH TOLERANCES  
 <.3M [1FT]: +19mm-0 [ +.75in-0]  
 .3 - .9M [1 - 3FT]: +44.5mm-0 [+1.75in-0]  
 .9 - 1.8M [3 - 6FT]: +55.6mm-0 [+2.19in-0]  
 1.8 - 3.7M [6 - 12FT]: +88.9mm-0 [+3.50in-0]  
 3.7 - 7.3M [12 - 24FT]: +165.1mm-0 [+6.50in-0]  
 7.3-14.6M [24 - 48FT]: +317.5mm-0 [+12.50in-0]  
 14.6 - 30.5M [48-100FT]: +622.3mm-0 [+24.50in-0]  
 OVER 30M [100FT] +2% OF FINISHED LENGTH



- NOTES:
1. MATERIAL: AS NOTED
  2. FINISH: AS NOTED
  3. ELECTRICAL:  
 VOLTAGE: 400V PER IEC60664  
 600V PER UL2238  
 CURRENT: 8A
  4. TEMP RATING: -20°C TO +105°C
  5. PROTECTION: IP67 (WHEN MATED)
  6. COUPLING THREAD: 7/8-16 UN
  7. UL RECOGNIZED FILE: E152210  
 CSA CERTIFIED: LR6837
  8. ALL DIMS ARE FOR REFERENCE UNLESS TOLERANCED OR NOTED OTHERWISE

**PART NUMBER LEGEND**

**1R6006A20A120**

LENGTH  
 A060 = 6 IN  
 A120 = 12 IN  
 F060 = 6.0 FT  
 M003 = 0.3 METERS  
 M010 = 1.0 METERS  
 M100 = 10.0 METERS

ITEM	DESCRIPTION	MATERIAL	FINISH
6	FLAG LABEL	VINYL	BLACK/YELLOW
5	POTTING MATERIAL	EPOXY	
4	WIRE #16 (UL 1015)	PVC INSULATION	SEE FACE VIEW
3	CONTACT PIN	Cu ALLOY	GOLD PLATED
2	INSERT	TPE	YELLOW
1	RECEPTACLE SHELL	ZINC (DIE-CAST)	BLACK E-COAT

FUNCTIONAL SYMBOLS	THIS DRAWING CONTAINS INFORMATION THAT IS PROPRIETARY TO MOLEX ELECTRONIC TECHNOLOGIES, LLC AND SHOULD NOT BE USED WITHOUT WRITTEN PERMISSION			
	DIMENSION UNITS	SCALE	CURRENT REV DESC:	
	INCH/MM	1:1		
DIVISIONAL SYMBOLS	GENERAL TOLERANCES (UNLESS SPECIFIED)			
	4 PLACES	±	MM	INCH
	3 PLACES	±		
EC NO: 668276		2021/06/24		
DRWN: RSTONE		2021/07/08		
CHK'D: MZIELINSKI		2021/07/12		
APPR: BWOODMAN				
INITIAL REVISION:				
DRWN: RSTONE		2021/06/24		
APPR: BWOODMAN		2021/07/12		
ANGULAR TOL ± °				
DRAFT WHERE APPLICABLE MUST REMAIN WITHIN DIMENSIONS		THIRD ANGLE PROJECTION	DRAWING	SERIES
			C-SIZE	130013
DOCUMENT NUMBER		DOC TYPE	DOC PART	REVISION
1300130017		PSD	000	A
MATERIAL NUMBER		CUSTOMER		SHEET NUMBER
SEE P/N LEGEND		GENERAL MARKET		1 OF 1