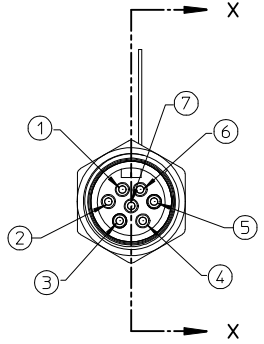
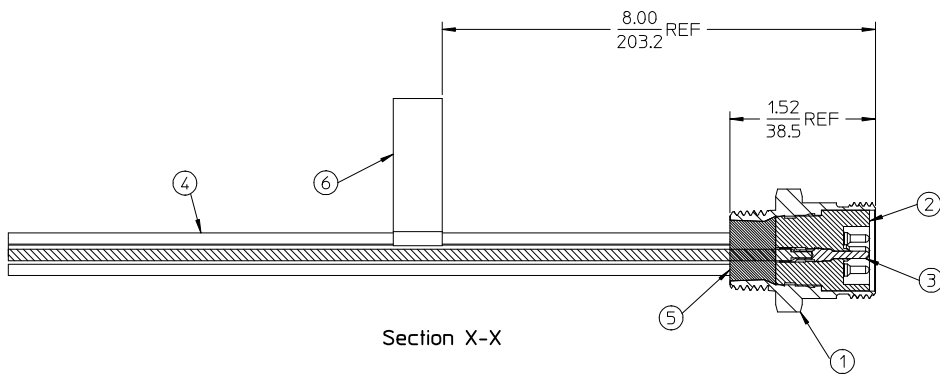
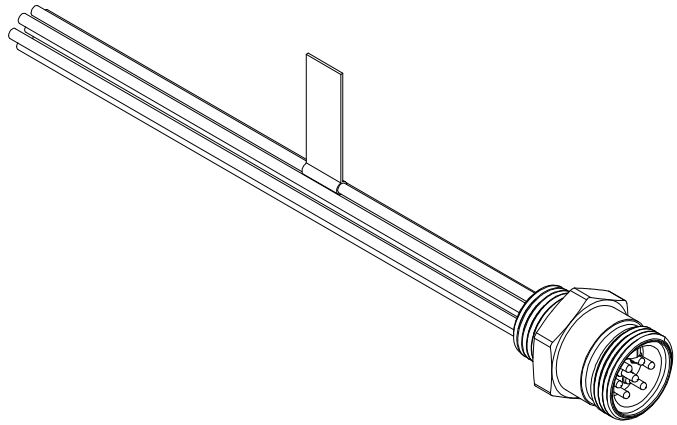
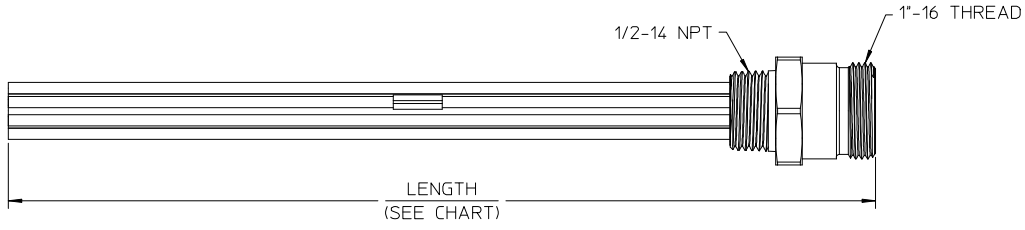
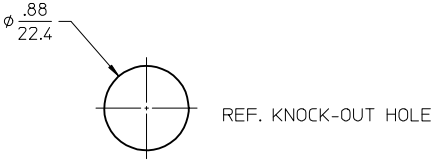


MATERIAL NO.	ENGINEERING NO.	LENGTH
1300140050	2R7006A20A120	12' +.75-0 [305mm +19.0-0]
1300140055	2R7006A20F060	6'0' +2.19 [1.8M +55.6-0]



1	WHITE/BLACK
2	BLACK
3	WHITE
4	RED
5	ORANGE
6	BLUE
7	GREEN/YELLOW-GND

- NOTES:
- MATERIAL: SEE TABLE
  - FINISHES: SEE TABLE
  - MATES WITH: 7/C MINI-CHANGE CORD ASSY.
  - ELECTRICAL SPECIFICATIONS:  
VOLTAGE RATING: 600V AC/DC  
CURRENT RATING: 8 AMPS
  - RoHS COMPLIANT

ITEM	QTY.	DESCRIPTION	MATERIAL	FINISH
6	1	LABEL	PLASTIC FILM	BLACK/YELLOW
5	1	POTTING	EPOXY	
4	7	WIRE, 16 AWG (UL 1015)	PVC INSULATED	SEE WIRE DIAGRAM
3	7	CONTACT PIN	BRASS	GOLD PLATED
2	1	INSERT	PVC	YELLOW
1	1	RECEPTACLE SHELL	ZINC ALLOY	E-COAT, BLACK

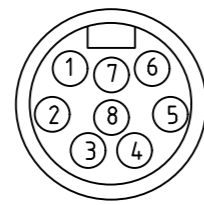
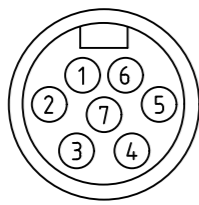
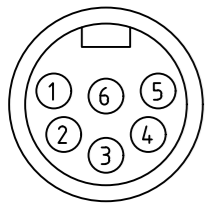
RELEASED	EC NO: MNA2009-0813	2009/06/09
DRWN:BRUPERT	CHKD:BRUPERT	APPR:JFMURPHY
DESCRIPTION	2009/06/10	

QUALITY SYMBOLS	GENERAL TOLERANCES (UNLESS SPECIFIED)
$\nabla=0$	mm
$\nabla=0$	INCH
	4 PLACES ± .005
	3 PLACES ± .005
	2 PLACES ± .01
	1 PLACE ± 0.3
	ANGULAR ± 1/2°

DIMENSION STYLE		SCALE	DESIGN UNITS	THIRD ANGLE PROJECTION
IN/MM		1:1	INCH	
DRAWN BY	DATE	TITLE		
B. RUPERT	06/05/2009	MINI-CHANGE RECEPTACLE		
CHECKED BY	DATE	MALE, 7 POLE		
B. WOODMAN	06/05/2009	1/2 IN NPT		
APPROVED BY	DATE	MATERIAL NO.		
J. MURPHY	06/05/2009	SEE CHART		

MOLEX INCORPORATED		DOCUMENT NO.	SHEET NO.
SD-130014-004		1 OF 1	
THIS DRAWING CONTAINS INFORMATION THAT IS PROPRIETARY TO MOLEX INCORPORATED AND SHOULD NOT BE USED WITHOUT WRITTEN PERMISSION			

FACE VIEW-MALE INSERT



1 ORANGE  
2 BLUE  
3 BLACK  
4 WHITE  
5 RED  
6 GREEN/YELLOW

1 WHITE/BLACK  
2 BLACK  
3 WHITE  
4 RED  
5 ORANGE  
6 BLUE  
7 GREEN/YELLOW

1 ORANGE  
2 BLUE  
3 WHITE/BLACK  
4 BLACK  
5 WHITE  
6 RED  
7 GREEN/YELLOW  
8 RED/BLACK

PART NO. MATRIX

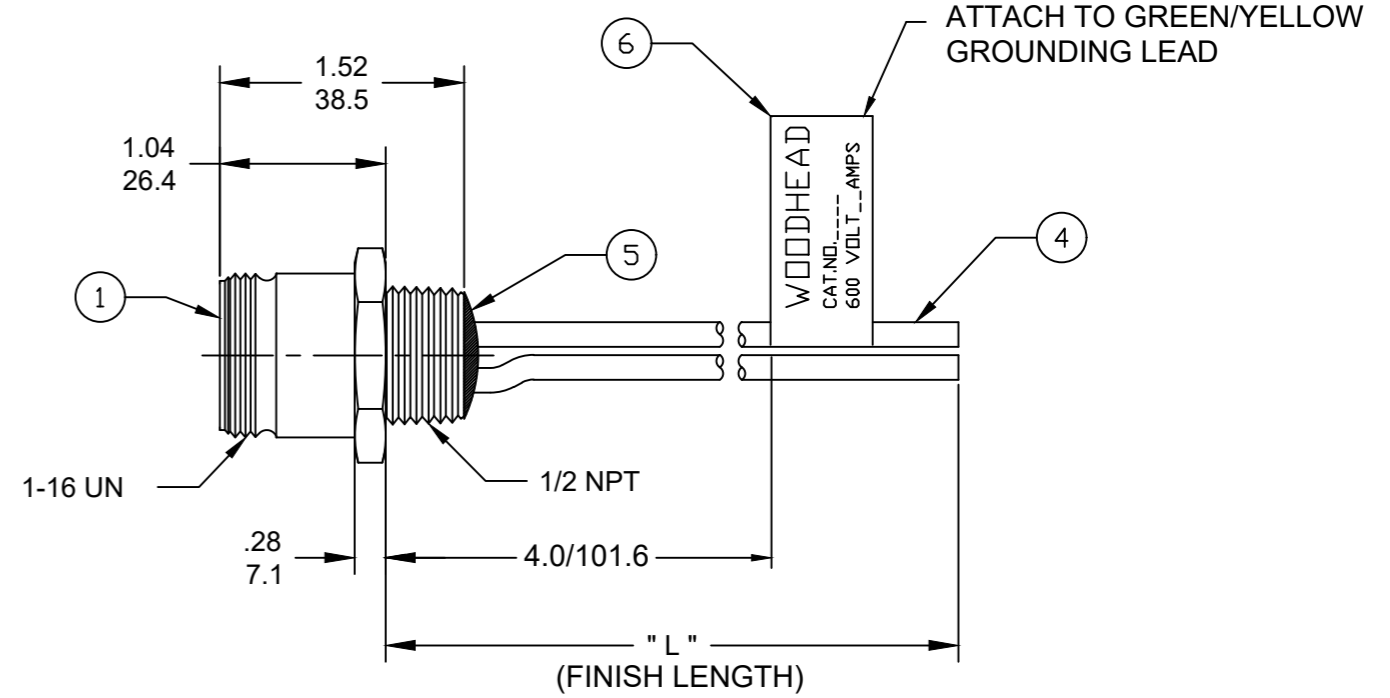
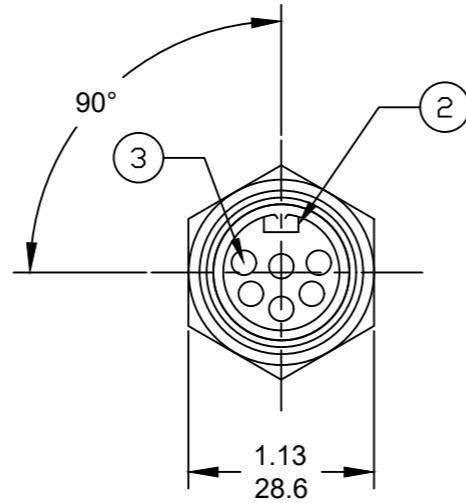
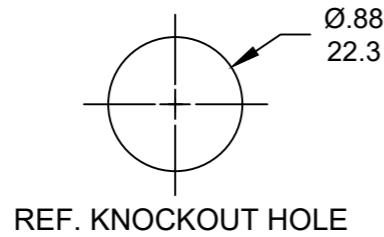
2R7006A20M010

POLES 6-8  
FINISHED LENGTH:  
A120= 12 IN.  
F060= 6 FEET  
F120= 12 FEET

M005= 0.5 METER  
M010= 1 METER  
M100= 10 METER

CABLE LENGTH TOLERANCES

>.3M [1FT]:	+19mm-0 [+ .75in-0]
.3 - .9M [1 - 3FT]:	+44.5mm-0 [+1.75in-0]
.9 - 1.8M [3 - 6FT]:	+55.6mm-0 [+2.19in-0]
1.8 - 3.7M [6 - 12FT]:	+88.9mm-0 [+3.50in-0]
3.7 - 7.3M [12 - 24FT]:	+165.1mm-0 [+6.50in-0]
7.3-14.6M [24 - 48FT]:	+317.5mm-0 [+12.50in-0]
14.6 - 30.5M [48-100FT]:	+622.3mm-0 [+24.50in-0]
OVER 30M [100FT]	+2% OF FINISHED LENGTH



NOTES:

- MATERIAL: AS NOTED
- FINISH: AS NOTED
- ELECTRICAL:  
VOLTAGE: 6 THRU 8P 600V PER UL 2238  
6P 400V PER IEC 60664  
7 & 8P 320V PER IEC 60664  
CURRENT: 6 & 7 POLE: 8A  
8 POLE: 7A
- TEMP RATING: -20°TO +105°C
- PROTECTION: IP67 (WHEN MATED)
- UL LISTED, FILE: E152210  
CSA CERTIFIED, FILE: LR6837 (B)
- ALL DIMENSIONS ARE FOR REFERENCE UNLESS TOLERANCED OR NOTED OTHERWISE

PART NO	ENGINEERING NO.	FINISHED LENGTH
1300140025	2R6006A20A120	12 IN [0.3M]
1300140149	2R7006A20F300	30 FT [9.1M]
1300140058	2R7006A20M005	0.5M [1.6 FT]

ITEM	DESCRIPTION	MATERIAL	FINISH
6	LABEL	VINYL	BLACK/YELLOW
5	POTTING MATERIAL	EPOXY	
4	WIRE, 16 AWG UL (1015)	PVC INSULATION	SEE FACE VIEW
3	CONTACT PIN	COPPER ALLOY	GOLD PLATED
2	INSERT	TPE	YELLOW
1	RECEPTACLE SHELL	ZINC DIE-CAST	BLACK

DOCUMENT STATUS P1 RELEASE DATE 2020/07/06 13:31:29

THIS DRAWING CONTAINS INFORMATION THAT IS PROPRIETARY TO MOLEX ELECTRONIC TECHNOLOGIES, LLC AND SHOULD NOT BE USED WITHOUT WRITTEN PERMISSION

FUNCTIONAL SYMBOLS: F/A=0, F/C=0, F/P=0

DIMENSION UNITS: INCH/MM, SCALE: ---

GENERAL TOLERANCES (UNLESS SPECIFIED): 4 PLACES ±--- ±---, 3 PLACES ±--- ±---, 2 PLACES ±--- ±---, 1 PLACE ±--- ±---, 0 PLACES ±--- ±---

ANGULAR TOL ± 0.5 °

DRAFT WHERE APPLICABLE MUST REMAIN WITHIN DIMENSIONS

THIRD ANGLE PROJECTION

DRAWING: B-SIZE, SERIES: 130014

CURRENT REV DESC: ITEM #2 WAS PVC, ADDED CSA IN NOTES & MODIFIED MATERIAL TABLE

EC NO: 640359  
DRWN: ABENJAMINLW 2020/05/18  
CHK'D: RSTONE 2020/06/26  
APPR: BWOODMAN 2020/07/06

INITIAL REVISION:  
DRWN: RSTONE 2016/12/07  
APPR: BWOODMAN 2017/01/16

DOCUMENT NUMBER: SD-130014-010, DOC TYPE: PSD, DOC PART: 001, REVISION: B

MATERIAL NUMBER: SEE\_CHART, CUSTOMER: GENERAL MARKET, SHEET NUMBER: 1 OF 1

**molex**

MINI-CHANGE RECEPTACLE, B-SIZE, 6 TO 8 POLE, MALE, STRAIGHT, SINGLE KEY, 16 AWG

PRODUCT CUSTOMER DRAWING