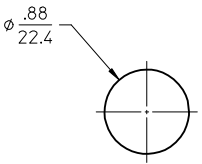
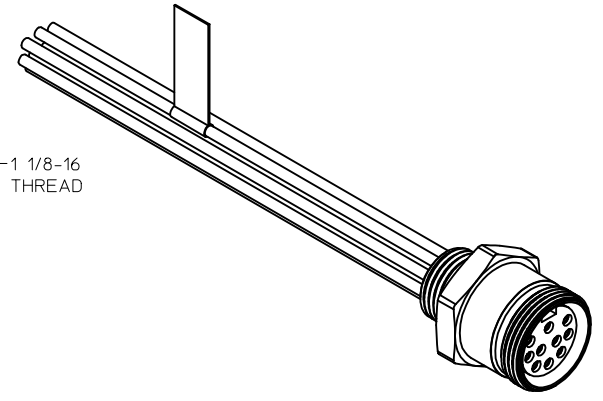
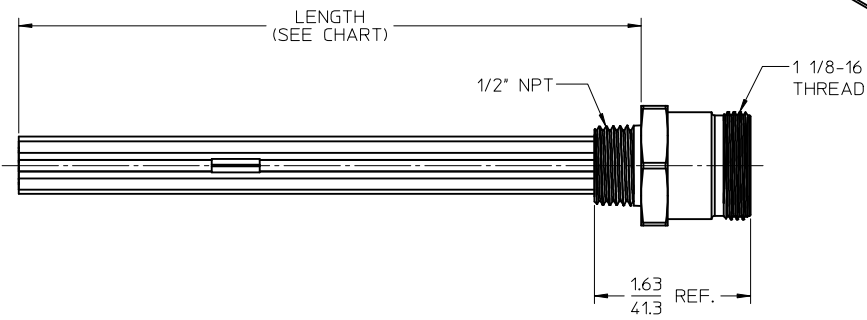


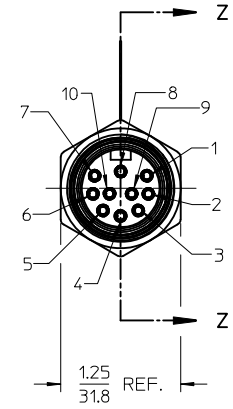
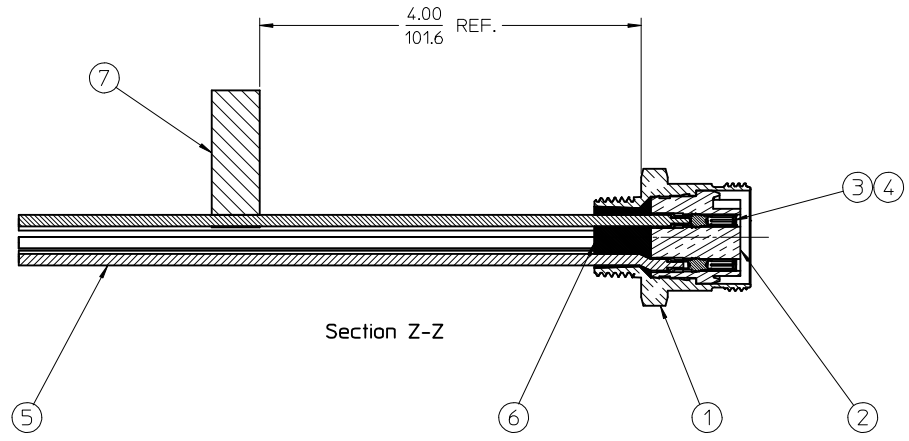
MATERIAL NO.	ENGINEERING NO.	LENGTH
1300150024	3R1004A20A120	12' +.75-0 [305mm +19.0-0]
1300150033	3R1004A20F060	6'0' +2.19-0 [1.8M +55.6-0]



REF. KNOCK-OUT HOLE



- NOTES:
1. MATERIAL: SEE TABLE
 2. FINISHES: SEE TABLE
 3. MATES WITH: NONE
 4. ELECTRICAL SPECIFICATIONS:
VOLTAGE RATING: 600V AC/DC
CURRENT RATING: 7 AMPS
 5. RoHS COMPLIANT



1	ORANGE
2	BLUE
3	WHITE-BLACK
4	RED-BLACK
5	GREEN-BLACK
6	ORANGE-BLACK
7	RED
8	GREEN-YELLOW
9	BLACK
10	WHITE

WIRING DIAGRAM

ITEM	QTY.	DESCRIPTION	MATERIAL	FINISH
7	1	LABEL	PLASTIC FILM	BLACK/YELLOW
6	1	POTTING	EPOXY	
5	10	WIRE, 16 AWG (UL 1015)	PVC INSULATED	SEE WIRE DIAGRAM
4	10	SOCKET SLEEVE	ST. STEEL	
3	10	CONTACT SOCKET	BRASS	GOLD PLATED
2	1	INSERT	PVC	YELLOW
1	1	RECEPTACLE SHELL	ZINC ALLOY	BLACK

RELEASED
EC NO: MNA2010-0101
DRAWN BY: R. STONE 2009/08/17
CHKD BY: WOODMAN
APPR: J. MURPHY 2009/08/21

QUALITY SYMBOLS
▽=0
▽=0

GENERAL TOLERANCES (UNLESS SPECIFIED)

	mm	INCH
4 PLACES	± .005	± .0005
3 PLACES	± .005	± .0005
2 PLACES	± .005	± .0005
1 PLACE	± 0.3	± .012

ANGULAR ±1/2°

DRAFT WHERE APPLICABLE
MUST REMAIN
WITHIN DIMENSIONS

DIMENSION STYLE
IN/MM

DRAWN BY: R. STONE
DATE: 2009/08/17

CHECKED BY: B. WOODMAN
DATE: 2009/08/17

APPROVED BY: J. MURPHY
DATE: 2009/08/20

MATERIAL NO.
SEE CHART

SIZE
C

SCALE 1:1
DESIGN UNITS INCH
THIRD ANGLE PROJECTION

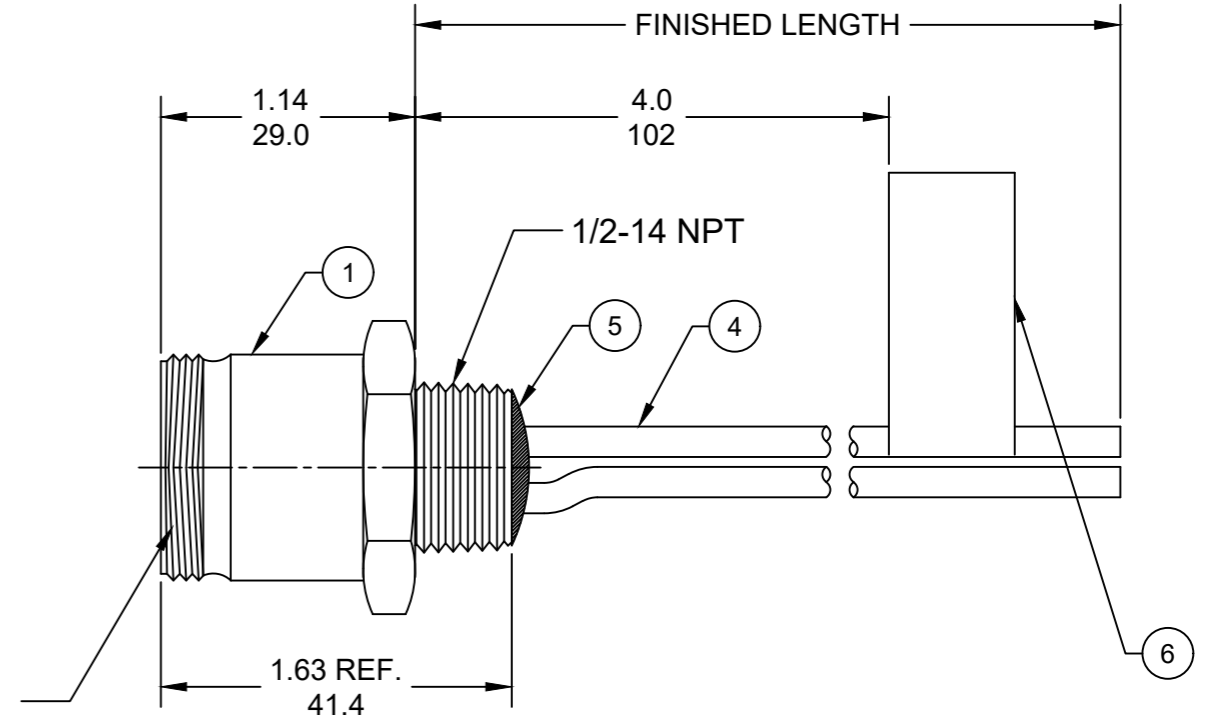
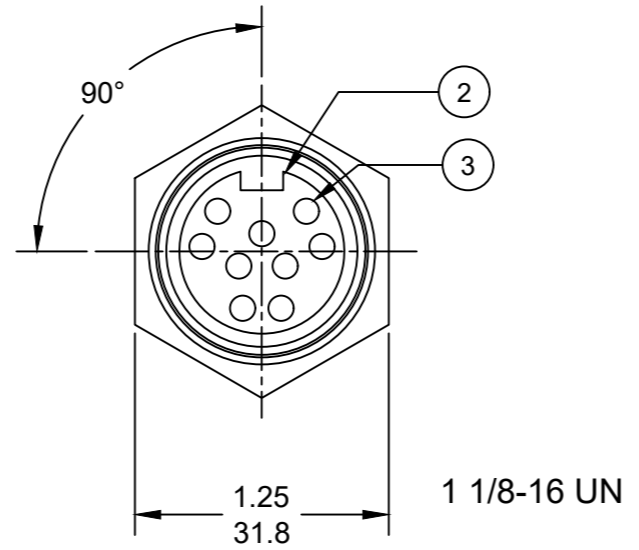
TITLE
MC RECEPTACLE, FEMALE
10 POLE, 1/2" NPT

MOLEX INCORPORATED

DOCUMENT NO. SD-130015-005
SHEET NO. 1 OF 1

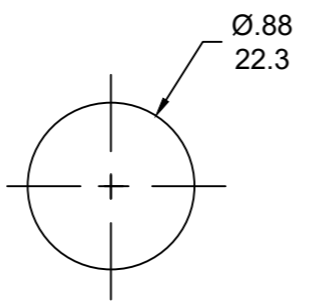
THIS DRAWING CONTAINS INFORMATION THAT IS PROPRIETARY TO MOLEX INCORPORATED AND SHOULD NOT BE USED WITHOUT WRITTEN PERMISSION

FACE VIEW-FEMALE INSERT		
1 ORANGE 2 BLUE 3 RED/BLACK 4 GREEN/BLACK 5 WHITE 6 RED 7 GREEN/YELLOW 8 WHITE/BLACK 9 BLACK	1 ORANGE 2 BLUE 3 WHITE/BLACK 4 RED/BLACK 5 GREEN/BLACK 6 ORANGE/BLACK 7 RED 8 GREEN/YELLOW 9 BLACK 10 WHITE	1 ORANGE 2 BLUE 3 WHITE/BLACK 4 RED/BLACK 5 GREEN/BLACK 6 ORANGE/BLACK 7 BLUE/BLACK 8 BLACK/WHITE 9 GREEN/YELLOW 10 RED 11 WHITE 12 BLACK



PART NO	ENGINEERING NO.	FINISHED LENGTH
1300150117	3R9004A20A120	12 IN [0.3M]
1300150038	3R1004A20F100	10 FT [3.0M]
1300150001	3R2004A20M060	6.0M [19 FT 8 IN]

- NOTES:
- MATERIAL: AS NOTED
 - FINISH: AS NOTED
 - ELECTRICAL:
 VOLTAGE: 320V PER IEC60664
 600V PER UL2238
 CURRENT: 9 POLE: 7A
 10 POLE: 7A
 12 POLE: 5A
 - TEMP RATING: -20°TO +105°C
 - PROTECTION: IP67 (WHEN MATED)
 - UL RECOGNIZED, FILE: E152210
 CSA CERTIFIED, FILE: LR6837 (C)
 - ALL DIMENSIONS ARE FOR REFERENCE UNLESS TOLERANCED OR NOTED OTHERWISE



REF. KNOCKOUT HOLE

PART NO. MATRIX
3R1004A20F010

LENGTH:
 A120= 12 INCHES
 F001= .1 FT
 F020= 2 FT
 F200= 20 FT

M005= 0.5 METER
 M010= 1 METER
 M100= 10 METER

CABLE LENGTH TOLERANCES	
>.3M [1FT]:	+19mm-0 [+1.75in-0]
.3 - .9M [1 - 3FT]:	+44.5mm-0 [+1.75in-0]
.9 - 1.8M [3 - 6FT]:	+55.6mm-0 [+2.19in-0]
1.8 - 3.7M [6 - 12FT]:	+88.9mm-0 [+3.50in-0]
3.7 - 7.3M [12 - 24FT]:	+165.1mm-0 [+6.50in-0]
7.3-14.6M [24 - 48FT]:	+317.5mm-0 [+12.50in-0]
14.6 - 30.5M [48-100FT]:	+622.3mm-0 [+24.50in-0]
OVER 30M [100FT]	+2% OF FINISHED LENGTH

ITEM	DESCRIPTION	MATERIAL	FINISH
6	FLAG LABEL	VINYL	BLACK/YELLOW
5	POTTING MATERIAL	EPOXY	
4	WIRE, 16 AWG UL (1015)	PVC INSULATION	SEE CHART
3	CONTACT SOCKET	COPPER ALLOY	GOLD PLATED
2	FEMALE INSERT (C-SIZE)	TPE	YELLOW
1	RECEPTACLE SHELL	ZINC DIE-CAST	BLACK

DOCUMENT STATUS P1 RELEASE DATE 2020/07/27 17:35:18

FUNCTIONAL SYMBOLS		THIS DRAWING CONTAINS INFORMATION THAT IS PROPRIETARY TO MOLEX ELECTRONIC TECHNOLOGIES, LLC AND SHOULD NOT BE USED WITHOUT WRITTEN PERMISSION		CURRENT REV DESC: ITEM #2 WAS PVC, ADDED CSA IN NOTES AND MODIFIED MATERIAL TABLE	
$F_A=0$	$F_C=0$	DIMENSION UNITS	SCALE	EC NO: 641453	
$F_D=0$		INCH/MM	NTS	DRWN: ABENJAMINLW	2020/06/25
DIVISIONAL SYMBOLS		GENERAL TOLERANCES (UNLESS SPECIFIED)		CHK'D: RSTONE	2020/07/20
		mm	INCH	APPR: BWOODMAN	2020/07/27
		4 PLACES	±----	INITIAL REVISION:	
		3 PLACES	±----	DRWN: RSTONE	2016/07/11
		2 PLACES	±----	APPR: TWOLDEGE	2016/08/19
		1 PLACE	±----	ANGULAR TOL ± 2.0 °	
		0 PLACES	±----	DRAFT WHERE APPLICABLE MUST REMAIN WITHIN DIMENSIONS	
THIRD ANGLE PROJECTION		DRAWING	SERIES	MATERIAL NUMBER	CUSTOMER
		B-SIZE	130015	SEE_CHART	GENERAL MARKET
DOCUMENT NUMBER		DOC TYPE	DOC PART	REVISION	
SD-130015-026		PSD	001	C	
SHEET NUMBER		1 OF 1			