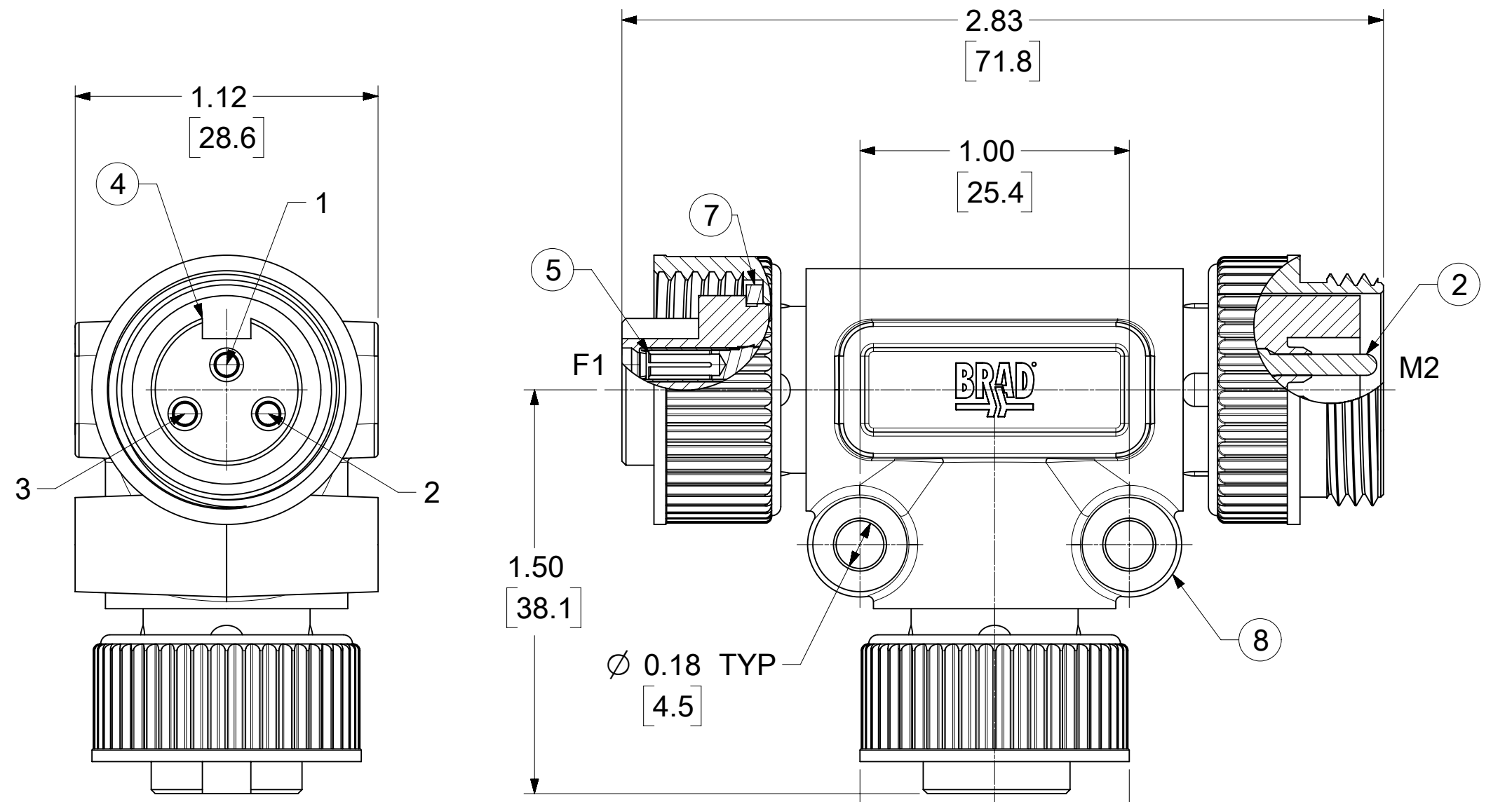
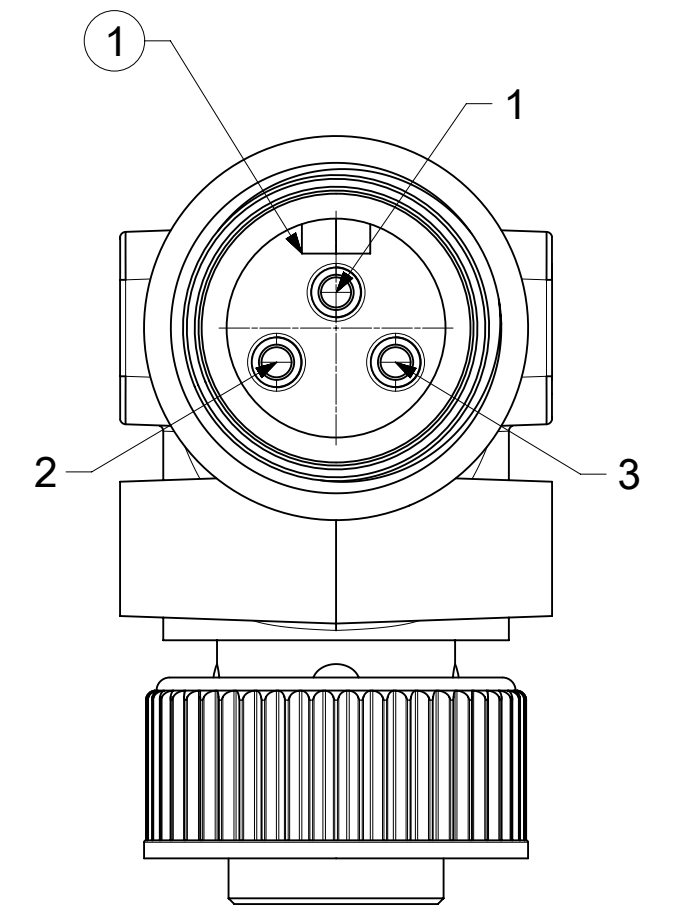


MATERIAL NO.	ENGINEERING NO.	OVERMOLD COLOR
1300180476	61056E	RED
1300180217	61056	YELLOW



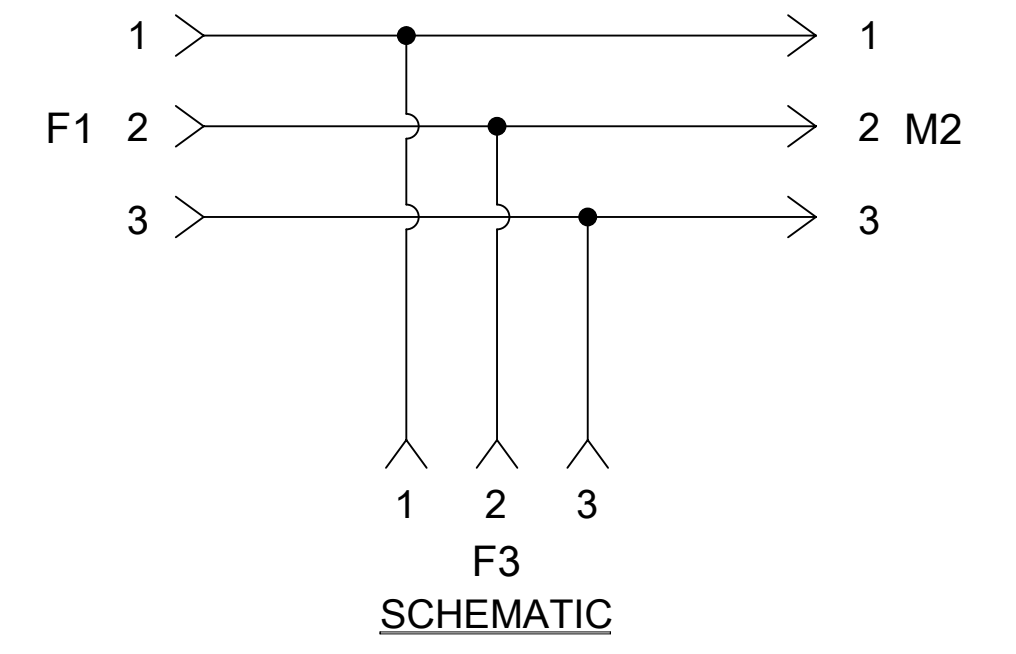
FEMALE FACE VIEW

- 1 - GREEN
- 2 - BLACK
- 3 - WHITE

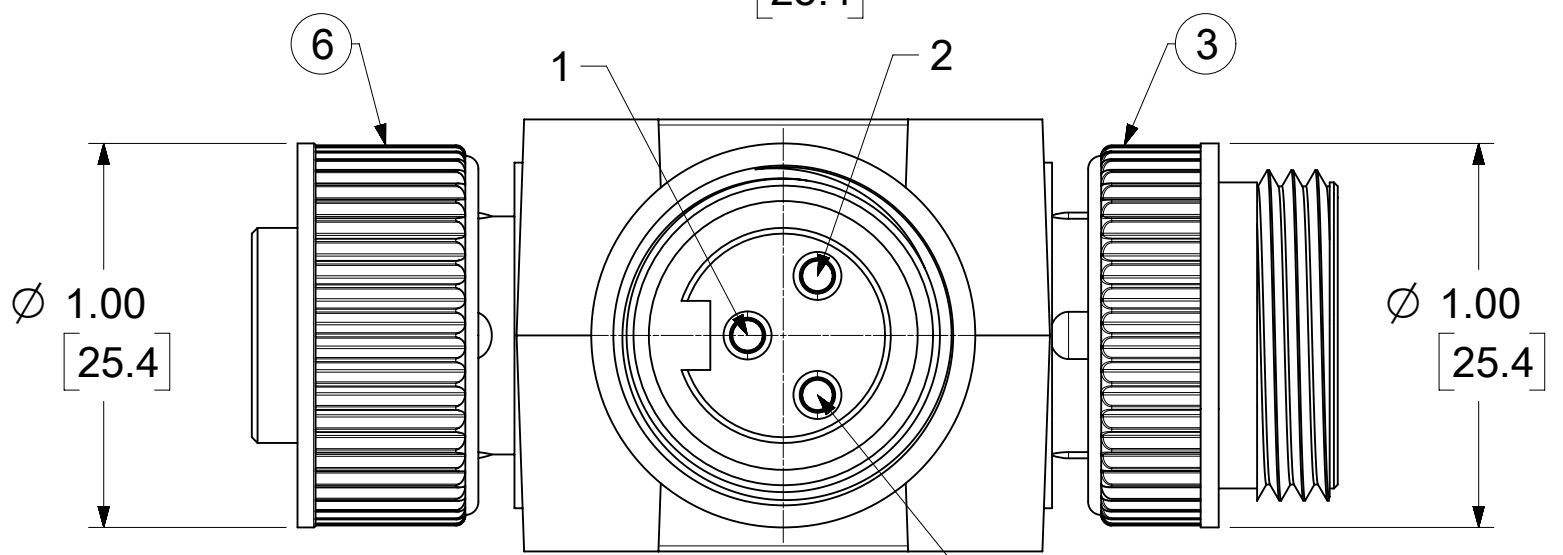


MALE FACE VIEW

- 1 - GREEN
- 2 - BLACK
- 3 - WHITE

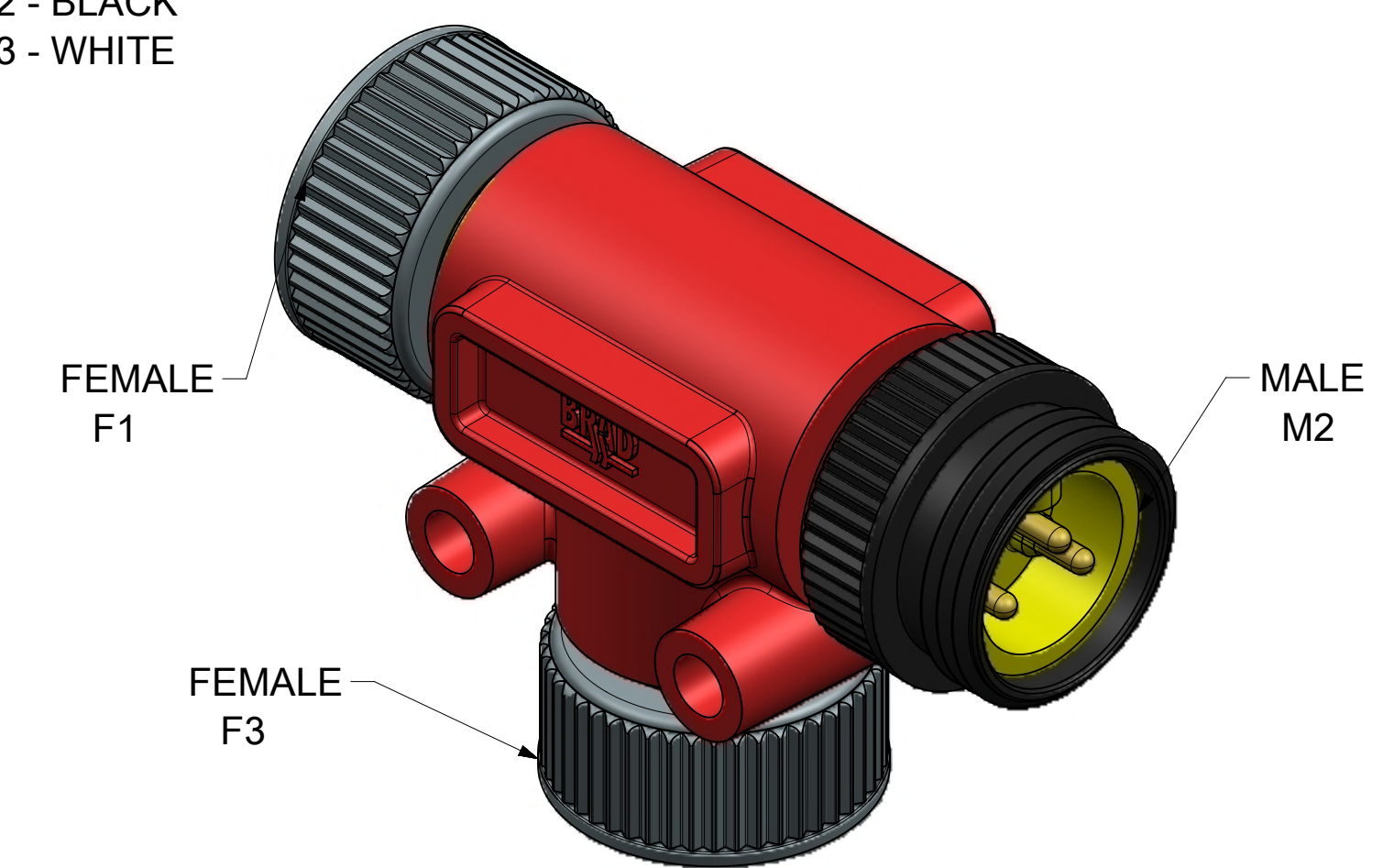


F3 SCHEMATIC



FEMALE FACE VIEW

- 1 - GREEN
- 2 - BLACK
- 3 - WHITE



- NOTES:
1. MATERIAL: AS NOTED
 2. FINISH: AS NOTED
 3. ELECTRICAL:
VOLTAGE; 600V AC/DC
CURRENT: 10A
 4. TEMP RATING: -20°C TO +80°C
 5. PROTECTION: IP67 (WHEN MATED)
 6. COUPLING THREADS: 7/8"-16UN
 7. ALL DIMS ARE FOR REFERENCE UNLESS NOTED OTHERWISE
 8. UL APPROVAL: PENDING

ITEM	DESCRIPTION	MATERIAL	FINISH
8	OVERMOLD	TPE	SEE TABLE
7	FRICTION RING	NYLON	NATURAL
6	FEMALE COUPLER	ZINC DIE CAST	BLACK E-COAT
5	CONTACT SOCKET	COPPER ALLOY	GOLD PLATED
4	FEMALE INSERT (A-SIZE)	TPE	YELLOW
3	MALE COUPLER	ZINC DIE CAST	BLACK E-COAT
2	CONTACT PIN	COPPER ALLOY	GOLD PLATED
1	MALE INSERT (A-SIZE)	TPE	YELLOW

THIS DOCUMENT SUPERSEDES DOC# SD-130018-006 REV A

SYMBOLS DIMENSION UNITS: HYBRID SCALE: 2:1 CURRENT REV DESC: UPDATE TO NX, ADD PN GENERAL TOLERANCES (UNLESS SPECIFIED) ANGULAR TOL ± ° 4 PLACES ± 3 PLACES ± 2 PLACES ± 1 PLACE ± 0 PLACES ± DRAFT WHERE APPLICABLE MUST REMAIN WITHIN DIMENSIONS THIRD ANGLE PROJECTION DRAWING SERIES: C-SIZE 130018		EC NO: 620987 DRWN: MZIELINSKI 2017/09/13 CHK'D: MZIELINSKI 2019/07/19 APPR: BWOODMAN 2019/07/19 INITIAL REVISION: DRWN: MZIELINSKI 2017/09/13 APPR: BWOODMAN 2019/07/19	 MC 3P TEE - 3-WIRE TAP RED OVM PRODUCT CUSTOMER DRAWING DOCUMENT NUMBER: 1300180476 DOC TYPE: PSD DOC PART: 000 REVISION: A MATERIAL NUMBER: SEE TABLE CUSTOMER: SEE TABLE SHEET NUMBER: 1 OF 1
---	--	--	---