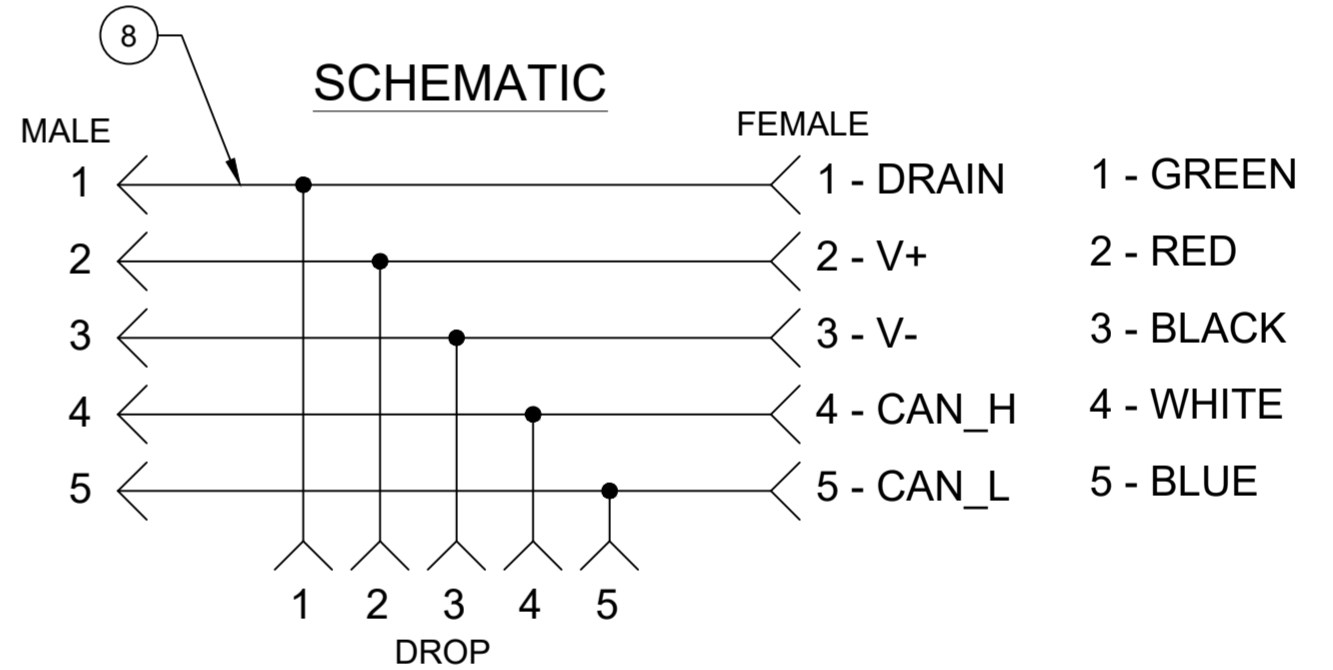
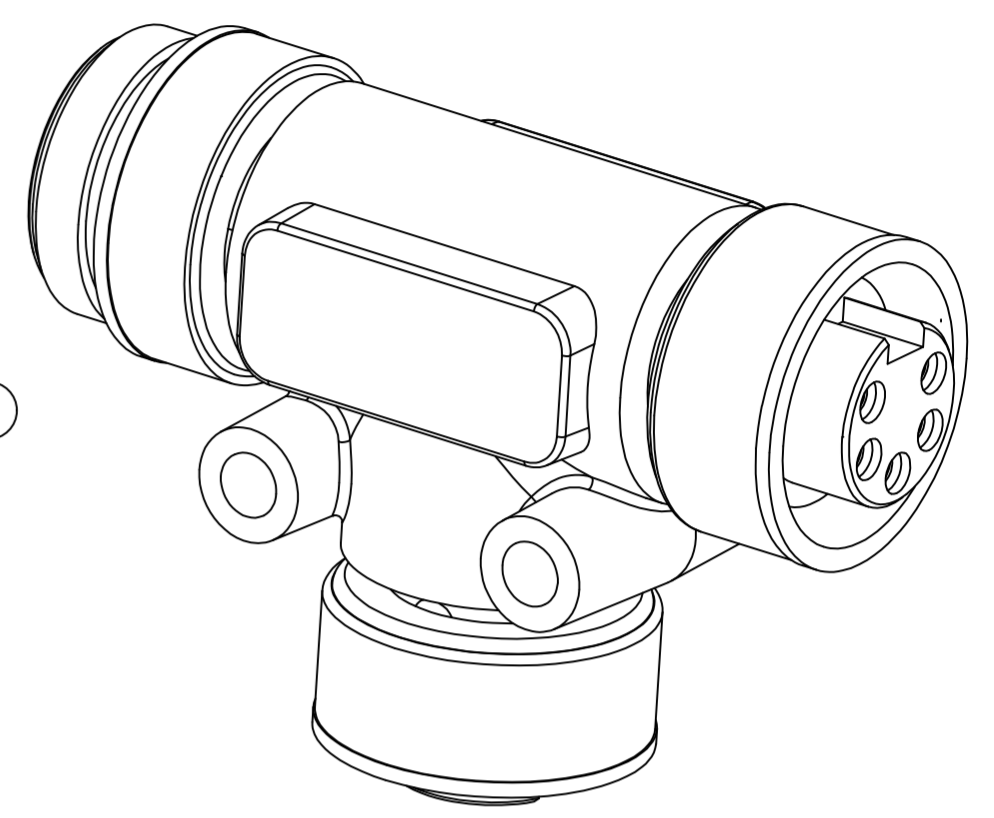
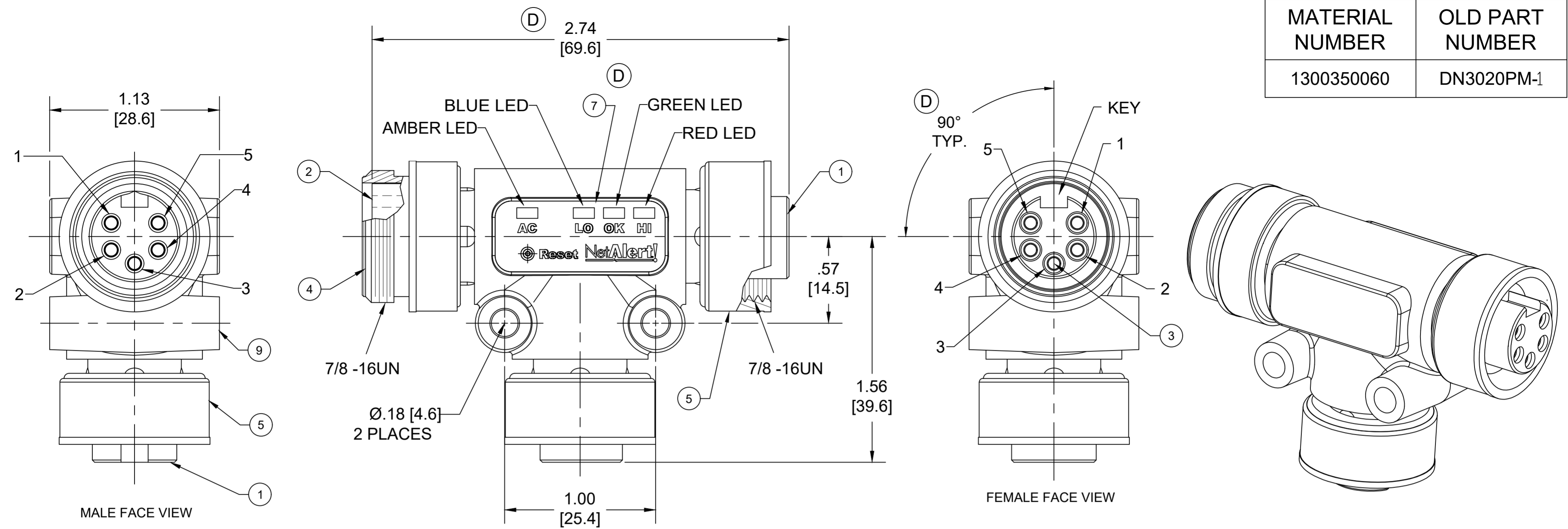


MATERIAL NUMBER	OLD PART NUMBER
1300350060	DN3020PM-1



- NOTES:
- MATERIAL: AS NOTED
 - FINISH: AS NOTED
 - ELECTRICAL:
VOLTAGE RATING: 600VDC (D)
CURRENT: 8A
 - TEMP RATING: -20° TO +105°C
 - PROTECTION: IP67 (WHEN MATED)
 - COUPLING THREAD- AS NOTED
 - UL RECOGNIZED FILE: E152210
 - ALL DIMENSIONS ARE FOR REFERENCE UNLESS TOLERANCED OR NOTED OTHERWISE

LED FUNCTIONALITY:

- SOLID GREEN LED = BUS VOLTAGE >12.90 AND <=24.78
- FLASHING GREEN LED = BUS VOLTAGE WITHIN LIMITS OF SOLID GREEN OPERATION, BUT POWER HAS BEEN CYCLED WITHIN PREVIOUS 24 HRS
- FLICKERING RED LED = BUS VOLTAGE >24.78 (GREATER THAN 25.3 TO GUARANTEE DETECTION)
- FLASHING RED LED = BUS VOLTAGE >24.78 (25.3) WITHIN PREVIOUS 24 HRS
- FLICKERING BLUE LED = BUS VOLTAGE <12.90 (12.4)
- FLASHING BLUE LED = BUS VOLTAGE <12.90 (12.4) WITHIN PREVIOUS 24 HRS
- FLICKERING AMBER LED = BUS VOLTAGE HAS A REPEATED TRANSIENT VOLTAGE (BETWEEN 10Hz AND 250Hz) PRESENT THAT EXCEEDS THE DETECTION THRESHOLD (THRESHOLD LEVEL VARIES BY FREQUENCY)
- FLASHING AMBER LED = BUS VOLTAGE HAS EXPERIENCED A TRANSIENT OR RIPPLE AS SPECIFIED FOR FLICKERING AMBER CONDITION WITH PREVIOUS 24 HRS}

ITEM	DESCRIPTION	MATERIAL	FINISH
9	OVERMOLD	TPC	GRAY
8	WIRE, 18AWG, UL 1015	PVC INSULATION	SEE SCHEMATIC
7	D-NET TEE LENS ASSY.	POLYCARBONATE	CLEAR
6	CONTACT SOCKET	COPPER ALLOY	GOLD PLATED
5	COUPLING NUT INT. THD	ZINC DIE-CAST	BLACK E-COAT
4	COUPLING NUT EXT. THD	ZINC DIE-CAST	BLACK E-COAT
3	CONTACT PIN/SOCKET	COPPER ALLOY	GOLD PLATED
2	MALE INSERT 5P	TPE	BLACK
1	FEMALE INSERT 5P	TPE	BLACK

FUNCTIONAL SYMBOLS				THIS DRAWING CONTAINS INFORMATION THAT IS PROPRIETARY TO MOLEX ELECTRONIC TECHNOLOGIES, LLC AND SHOULD NOT BE USED WITHOUT WRITTEN PERMISSION			
DIMENSION UNITS		SCALE		CURRENT REV DESC: CORRECT ARTWORK SHOWN ON LENS ASSEMBLY. WAS BRAD, LENGTH WAS 2.83			
INCH/MM		NTS		UPDATE BOM TABLE, ADD 90DEG KEY ORIENTATION, VOLTAGE CHANGED TO 600 VDC PER UL FILE,			
GENERAL TOLERANCES (UNLESS SPECIFIED)				EC NO: 695503			
		mm	INCH	DRWN: RSTONE 2022/02/10			
4 PLACES		±----	±----	CHK'D: ALEON01 2022/02/16			
3 PLACES		±----	±----	APPR: BWOODMAN 2022/02/17			
2 PLACES		±----	±0.01	INITIAL REVISION:			
1 PLACE		±----	±----	DRWN: BWOODMAN 2009/08/21			
0 PLACES		±----	±----	APPR: JFMURPHY 2009/08/27			
ANGULAR TOL ± --- °				THIRD ANGLE PROJECTION			
DRAFT WHERE APPLICABLE MUST REMAIN WITHIN DIMENSIONS				DRAWING		SERIES	
		C-SIZE		130035		MATERIAL NUMBER	
				SEE CHART		CUSTOMER	
				GENERAL MARKET		SHEET NUMBER	
				1 OF 1			