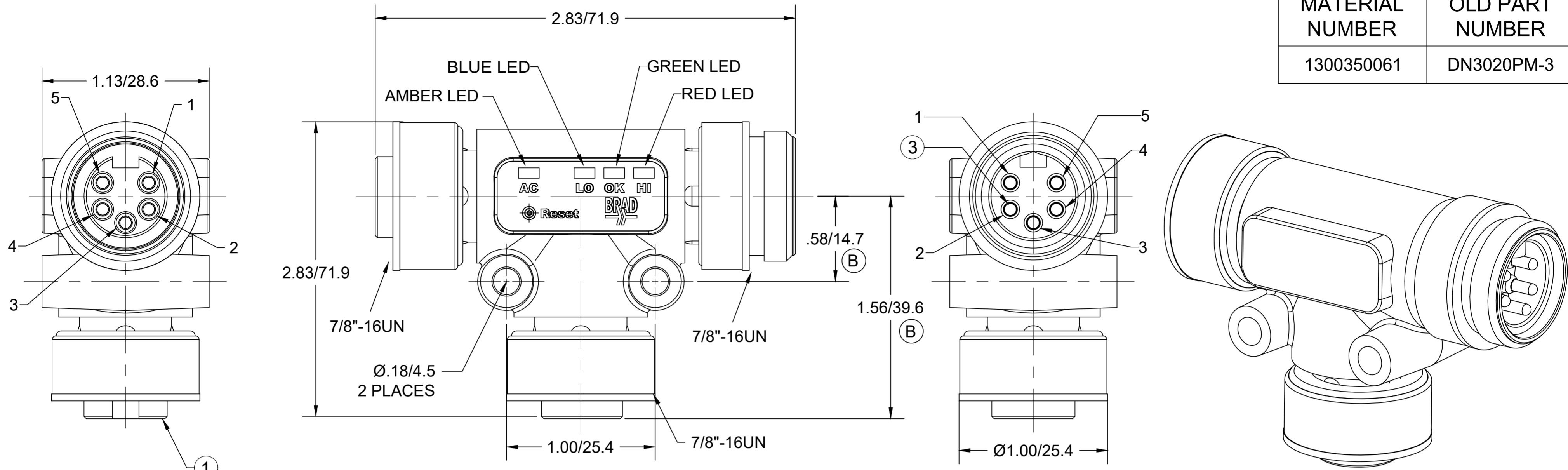
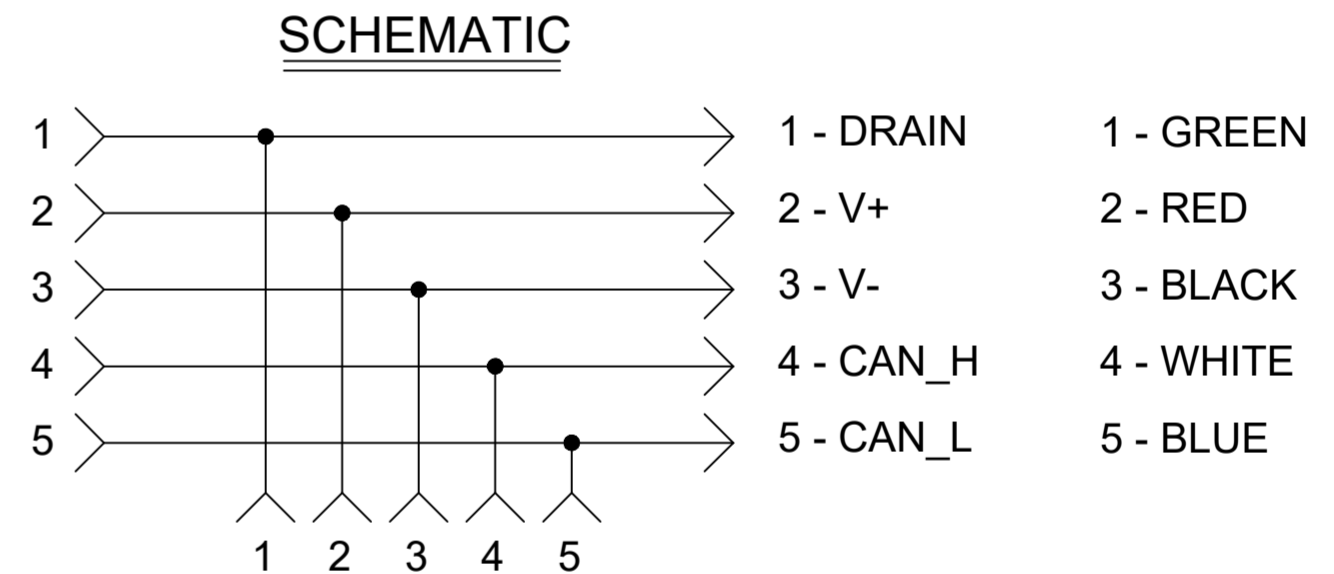


MATERIAL NUMBER	OLD PART NUMBER
1300350061	DN3020PM-3



- NOTES:**
- MATERIAL: AS NOTED
 - FINISH: AS NOTED
 - ELECTRICAL:
VOLTAGE RATING PER IEC 60664: 600V (B)
VOLTAGE RATING PER UL: 600V
CURRENT: 8A (B)
 - TEMP RATING: -20° TO +105°C (B)
 - PROTECTION: IP67 (WHEN MATED)
 - COUPLING THREAD- AS NOTED
 - UL RECOGNIZED FILE: E152210
 - ALL DIMENSIONS ARE FOR REFERENCE UNLESS TOLERANCED OR NOTED OTHERWISE



LED FUNCTIONALITY:
 SOLID GREEN LED = BUS VOLTAGE >12.90 AND <=24.78
 FLASHING GREEN LED = BUS VOLTAGE WITHIN LIMITS OF SOLID GREEN OPERATION, BUT POWER HAS BEEN CYCLED WITHIN PREVIOUS 24 HRS
 FLICKERING RED LED = BUS VOLTAGE >24.78 (GREATER THAN 25.3 TO GUARANTEE DETECTION)
 FLASHING RED LED = BUS VOLTAGE >24.78 (25.3) WITHIN PREVIOUS 24 HRS
 FLICKERING BLUE LED = BUS VOLTAGE <12.90 (12.4)
 FLASHING BLUE LED = BUS VOLTAGE <12.90 (12.4) WITHIN PREVIOUS 24 HRS
 FLICKERING AMBER LED = BUS VOLTAGE HAS A REPEATED TRANSIENT VOLTAGE (BETWEEN 10Hz AND 250Hz) PRESENT THAT EXCEEDS THE DETECTION THRESHOLD (THRESHOLD LEVEL VARIES BY FREQUENCY)
 FLASHING AMBER LED = BUS VOLTAGE HAS EXPERIENCED A TRANSIENT OR RIPPLE AS SPECIFIED FOR FLICKERING AMBER CONDITION WITH PREVIOUS 24 HRS}

ITEM	COMPONENT	MATERIAL	FINISH
1	INSERT	TPC	GRAY (B)
2	CONTACT SOCKET	COPPER ALLOY	GOLD OVER NICKEL
3	CONTACT PIN	COPPER ALLOY	GOLD OVER NICKEL
4	COUPLING NUT	ZINC DIE CAST	BLACK E-COATED
5	OVERMOLD	TPC	GRAY (B)

THIS DRAWING CONTAINS INFORMATION THAT IS PROPRIETARY TO MOLEX ELECTRONIC TECHNOLOGIES, LLC AND SHOULD NOT BE USED WITHOUT WRITTEN PERMISSION

FUNCTIONAL SYMBOLS	DIMENSION UNITS	SCALE	CURRENT REV DESC: ITEM# 1 & 5 WERE TPE. REMOVED CSA. ADDED TEMP RATING & CURRENT VALUE. UPDATED VOLTAGE RATING. ADDED DIMS
FA=0	INCH/MM	NTS	EC NO: 645633
FC=0	GENERAL TOLERANCES (UNLESS SPECIFIED)		DRWN: ABENJAMINLW 2020/09/07
FP=0			CHK'D: RSTONE 2020/09/29
DIVISIONAL SYMBOLS	mm	INCH	APPR: BWOODMAN 2020/10/23
	4 PLACES	±----	INITIAL REVISION:
	3 PLACES	±----	DRWN: BWOODMAN 2009/08/24
	2 PLACES	±---- ±0.01	APPR: JFMURPHY 2009/08/27
	1 PLACE	±0.3 ±----	ANGULAR TOL ± ---- °
	0 PLACES	±---- ±----	DRAFT WHERE APPLICABLE MUST REMAIN WITHIN DIMENSIONS
			THIRD ANGLE PROJECTION
			DRAWING C-SIZE
			SERIES 130035
			MATERIAL NUMBER SEE CHART
			CUSTOMER GENERAL MARKET
			SHEET NUMBER 1 OF 1

molex

MINI-CHANGE DNET, A SIZE,
5 POLE, FEMALE-MALE, POWER MONITOR TEE,
SINGLE KEY, 18 AWG

PRODUCT CUSTOMER DRAWING

DOCUMENT NUMBER: SD-130035-006
DOC TYPE/DOC PART/REVISION: PSD 001 B