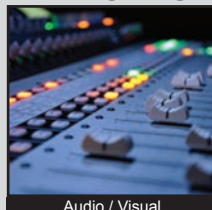


# TL9210 SERIES TACT SWITCH

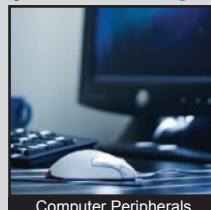
ANTI-VANDAL SWITCHES  
 DETECTOR SWITCHES  
 DIP SWITCHES  
 KEYLOCK SWITCHES  
 NAVIGATION SWITCHES  
 PUSHBUTTON SWITCHES  
 ROCKER SWITCHES  
 ROTARY SWITCHES  
 SLIDE SWITCHES  
 SNAP ACTION SWITCHES  
**TACTILE SWITCHES**  
 TOGGLE SWITCHES  
 CAP OPTIONS



## APPLICATIONS / MARKETS



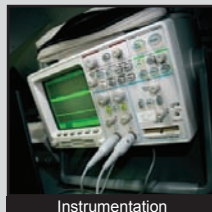
Audio / Visual



Computer Peripherals



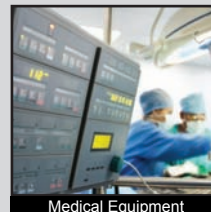
Consumer Electronics



Instrumentation



Telecommunication



Medical Equipment

**RoHS**

## SPECIFICATIONS

**Electrical Rating:** 50mA @ 12VDC  
**Electrical Life:** 100,000 Cycles  
**Mechanical Life:** 100,000 Cycles  
**Contact Resistance:** 100mΩ initial  
**Insulation Resistance:** 100MΩ Min. @ 100VDC  
**Dielectric Strength:** 250VAC for 1 min.  
**Operating Temperature:** -20°C to 70°C  
**Storage Temperature:** -30°C to 80°C  
**Operating Force:** 200 +/- 80 gf  
**Travel:** 1.3mm +/- 0.15mm  
**Contact Arrangement:** SPST

## FEATURES & BENEFITS

- Surface mount termination
- Multiple operating force options
- Long travel
- Quiet tactile feel
- Low contact resistance

## PART NUMBER CONFIGURATOR

Series	Model	Actuator "L" Dimensions	Operating Force	Contact Material
TL	9210	A - 5.0mm	F180 - 180 grams F260 - 260 grams	Q - Silver

*Specifications subject to change without notice*



**E-SWITCH®**

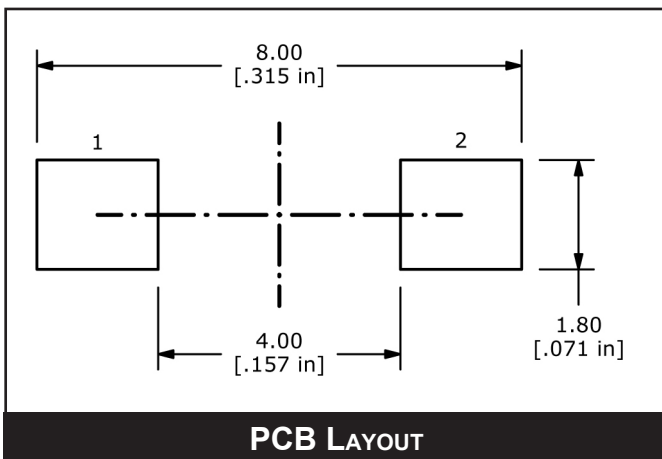
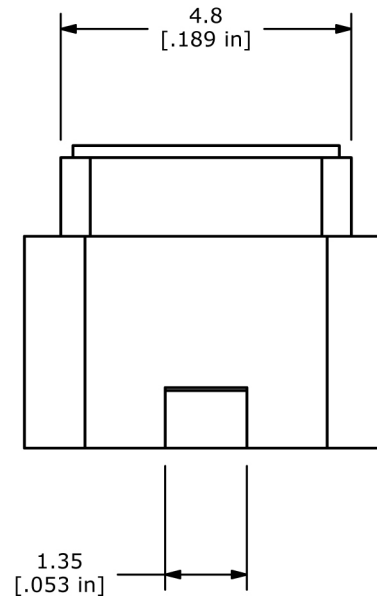
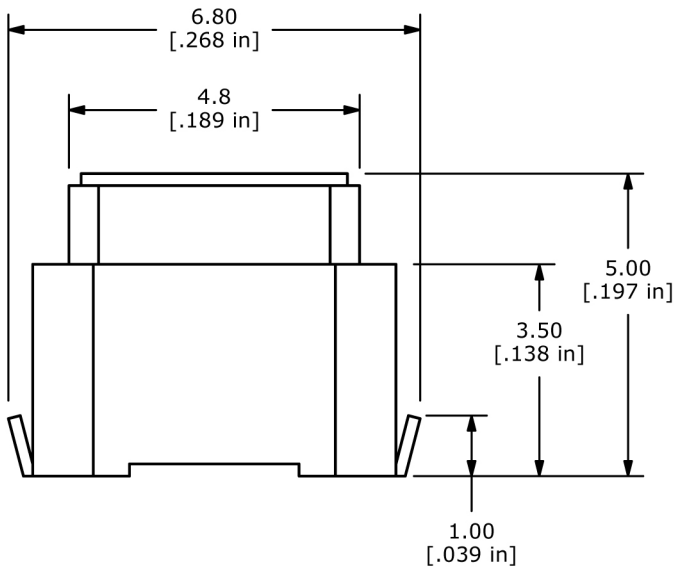
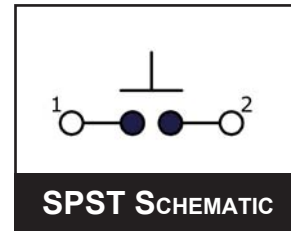
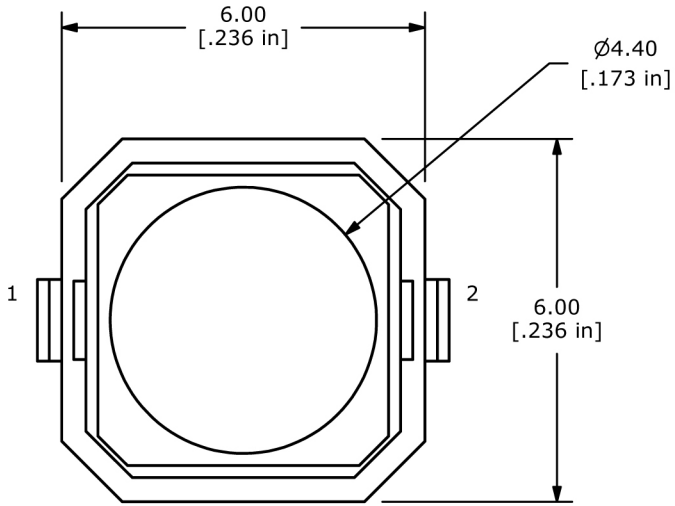
www.e-switch.com

800.867.2717

2

# TL9210 SERIES TACT SWITCH

## BODY DIMENSIONS



- ANTI-VANDAL SWITCHES
- DETECTOR SWITCHES
- DIP SWITCHES
- KEYLOCK SWITCHES
- NAVIGATION SWITCHES
- PUSHBUTTON SWITCHES
- ROCKER SWITCHES
- ROTARY SWITCHES
- SLIDE SWITCHES
- SNAP ACTION SWITCHES
- TACTILE SWITCHES
- TOGGLE SWITCHES
- CAP OPTIONS

