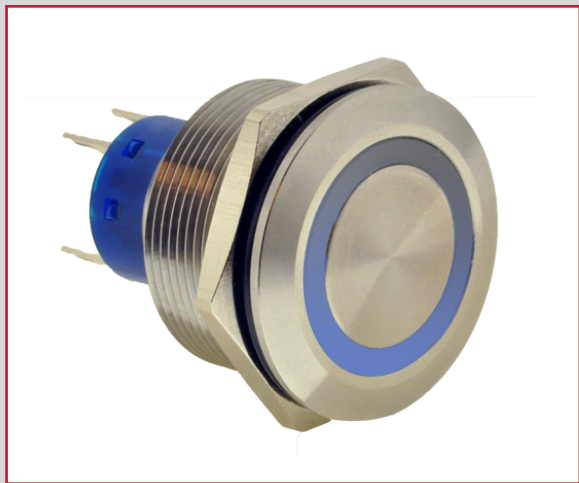
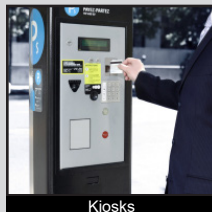
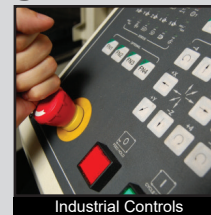
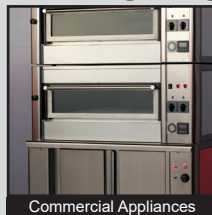


ULV8 SERIES ANTI-VANDAL SWITCH

ANTI-VANDAL SWITCHES
DETECTOR SWITCHES
DIP SWITCHES
KEYLOCK SWITCHES
NAVIGATION SWITCHES
PUSHBUTTON SWITCHES
ROCKER SWITCHES
ROTARY SWITCHES
SLIDE SWITCHES
SNAP ACTION SWITCHES
TACTILE SWITCHES
TOGGLE SWITCHES
CAP OPTIONS



APPLICATIONS / MARKETS



RoHS

SPECIFICATIONS

Electrical Rating: 3A, 125/250VAC
Mechanical Life: 1,000,000 cycles (momentary); 500,000 cycles (latching)
Electrical Life: 50,000 Cycles
Contact Resistance: 50mΩ Max. at 1A 12VDC
Insulation Resistance: ,000MΩ min. @ 500 VDC
Dielectric Strength: 2,000V RMS at sea level
Operating/Storage Temperature: -20°C to 55°C
Travel: 3.2mm
Moisture Protection: IP67
Contact Arrangement: SPDT or DPDT
Actuation Force: SPDT: 2.5N; DPDT: 3.5N, Molded Back: SPDT & DPDT: 5.5N
Panel Thickness: 1-10mm
Hex Nut Torque: 5-14Nm
Mechanical Impact Protection: IK08 (Stainless)
Agency Approvals: cURus

FEATURES & BENEFITS

- 25mm diameter panel cutout
- Ring or Ring/Power symbol illumination
- Multiple switch functions available
- Multiple illumination voltage options
- IP67 rated
- SPDT or DPDT
- UL Certified
- Soldered wire leads (300mm long) optional
- Detachable socket w/ wire leads (500mm long) optional
- Molded back w/ wire leads (500mm long) optional

PART NUMBER CONFIGURATOR

Series	Actuator	Terminal	Function	Body Finish	Actuator Finish	Contact Material	Lens Style	LED Color	Illumination Voltage	Graphic Options
ULV8	F - Flat	2 - Solder Lug W - Wire Leads 300mm long P - Detachable Socket w/ Wire Leads 500mm long M - Molded Back w/ Wire Leads 500mm long	3 - 1P ON-ON B - 1P ON-(ON)* G - 2P ON-ON H - 2P ON-(ON)*	S - Stainless Steel 1 - Black Anodized	S - Stainless Steel 1 - Black Anodized L - Silver for Graphic	None - Silver G - Gold	3 - Ring Illumination, movable with actuator 6 - Ring / Power Symbol Illumination, movable with actuator (Stainless Steel only) L - Graphic Illumination (Only Available with L Actuator Finish)	0 - White 1 - Red 2 - Orange 3 - Green 4 - Blue 5 - Yellow F - Red / Orange G - Red / Green H - Red / Blue J - Red / Yellow K - Orange / Green N - Blue / Green P - Green / Yellow Q - Blue / Yellow	1 - 3V 3 - 6V 4 - 12V 5 - 24V 6 - 110V 7 - 220V	L17 - Bluetooth L18 - Wifi L20 - START L21 - OFF L22 - ON L35 - STOP For more standard options reference the Graphic Options pages of Data Sheet

NOTES:
 *() denotes function is momentary

Specifications subject to change without notice 12.16.2021



E-SWITCH®

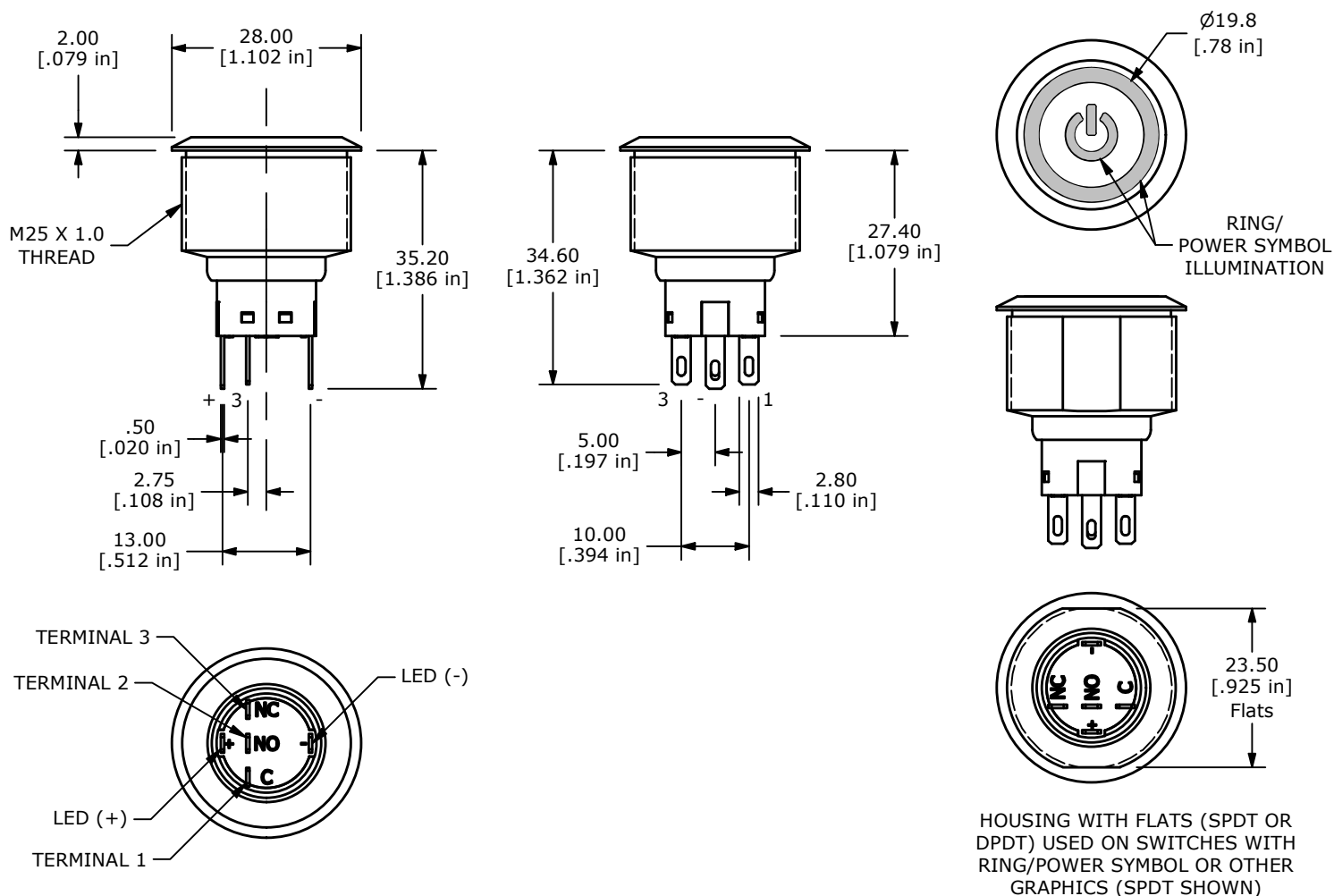
www.e-switch.com

800.867.2717

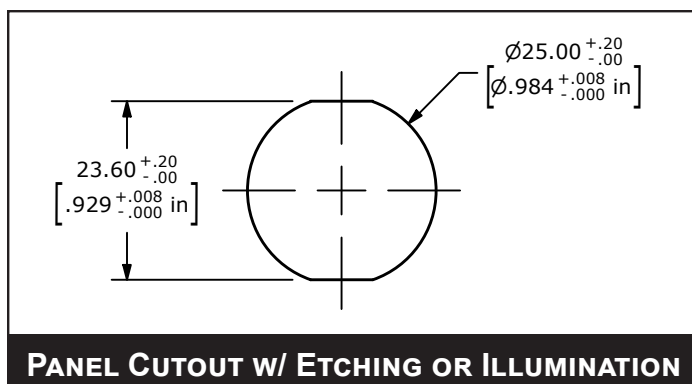
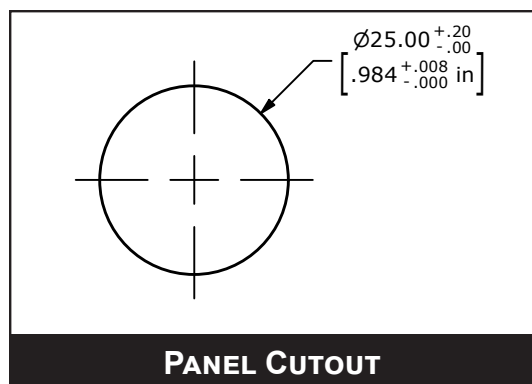
1

ULV8 SERIES ANTI-VANDAL SWITCH

BODY DIMENSIONS - SPDT



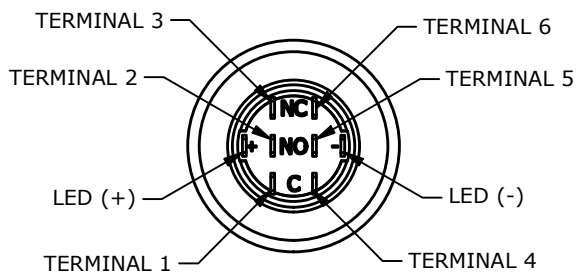
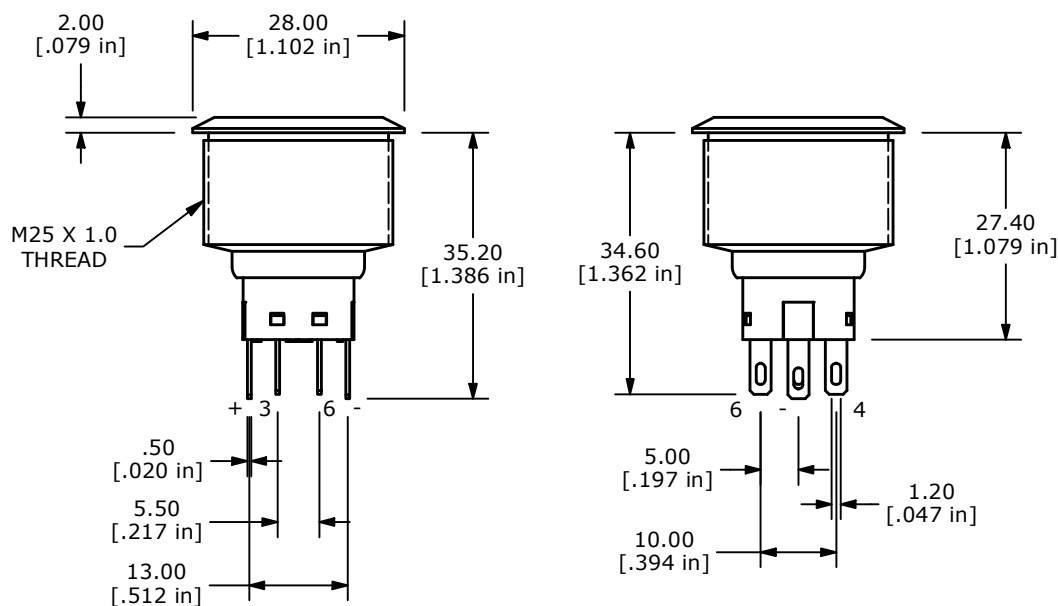
SPDT SWITCH DIMENSIONS



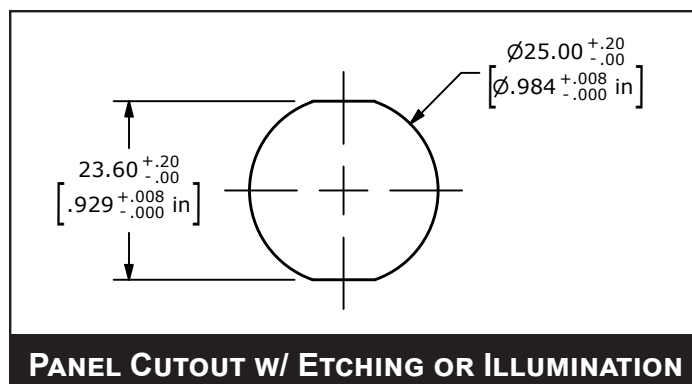
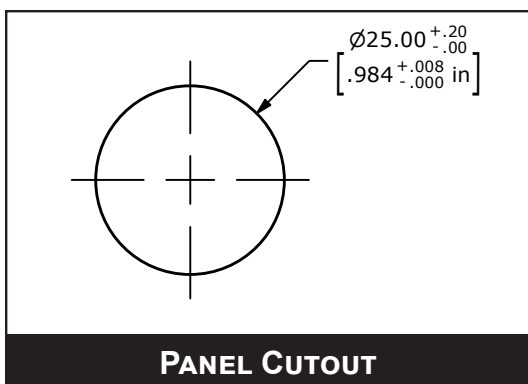
ANTI-VANDAL SWITCHES
 DETECTOR SWITCHES
 DIP SWITCHES
 KEYLOCK SWITCHES
 NAVIGATION SWITCHES
 PUSHBUTTON SWITCHES
 ROCKER SWITCHES
 ROTARY SWITCHES
 SLIDE SWITCHES
 SNAP ACTION SWITCHES
 TACTILE SWITCHES
 TOGGLE SWITCHES
 CAP OPTIONS

ULV8 SERIES ANTI-VANDAL SWITCH

BODY DIMENSIONS - DPDT

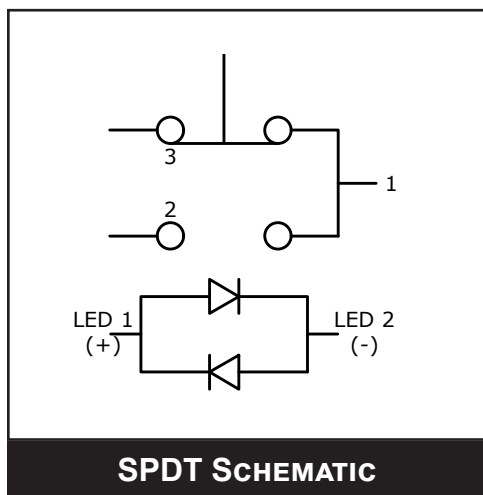


DPDT SWITCH DIMENSIONS

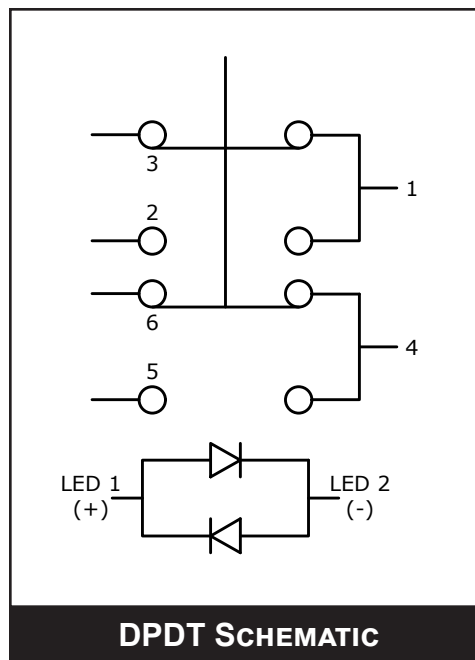


ULV8 SERIES ANTI-VANDAL SWITCH

SCHEMATICS

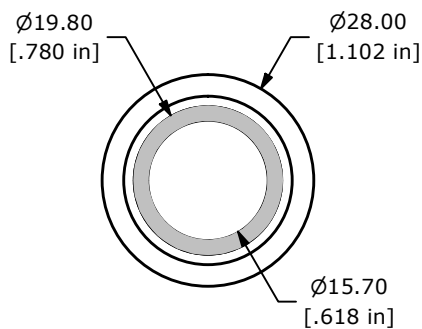


SPDT SCHEMATIC

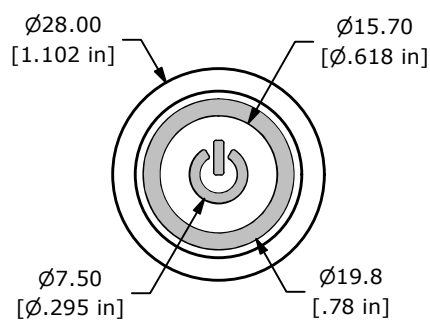


DPDT SCHEMATIC

ACTUATOR OPTIONS



RING ILLUMINATED



RING / POWER SYMBOL ILLUMINATED



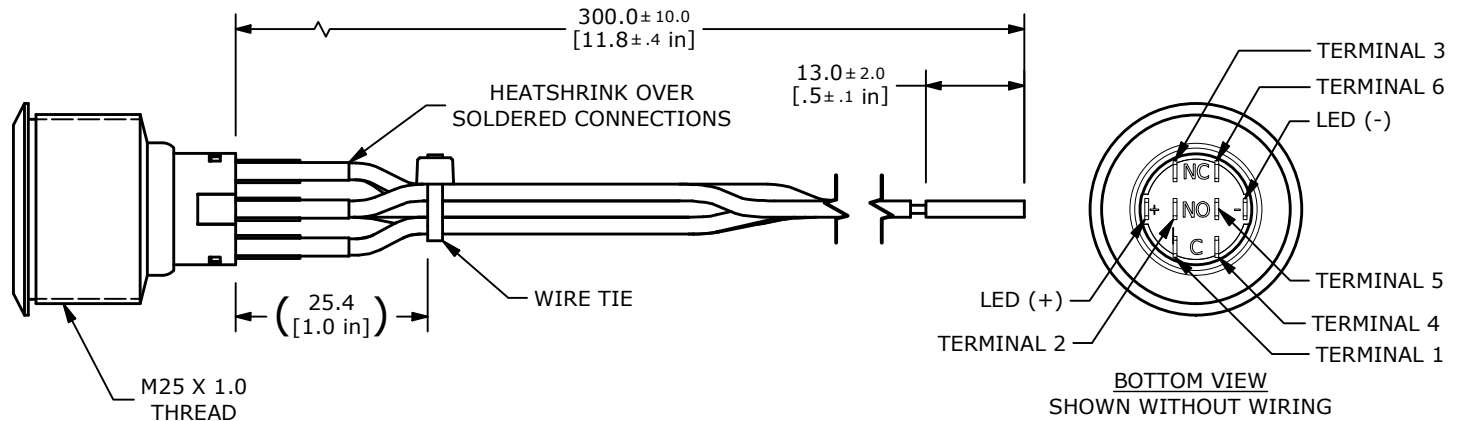
ULV8 SERIES ANTI-VANDAL SWITCH

WIRE OPTIONS

W - Wire Leads
300mm long

SWITCH	WIRE	LENGTH
SW1-1	WIRE, 24AWG AWM UL1015, BLUE	300.0 [11.8 in]
SW1-2	WIRE, 24AWG AWM UL1015, PURPLE	300.0 [11.8 in]
SW1-3	WIRE, 24AWG AWM UL1015, GREEN	300.0 [11.8 in]
SW1-4	WIRE, 24AWG AWM UL1015, WHITE	300.0 [11.8 in]
SW1-5	WIRE, 24AWG AWM UL1015, ORANGE	300.0 [11.8 in]
SW1-6	WIRE, 24AWG AWM UL1015, YELLOW	300.0 [11.8 in]
SW1- (-)	WIRE, 24AWG AWM UL1015, BLACK	300.0 [11.8 in]
SW1- (+)	WIRE, 24AWG AWM UL1015, RED	300.0 [11.8 in]

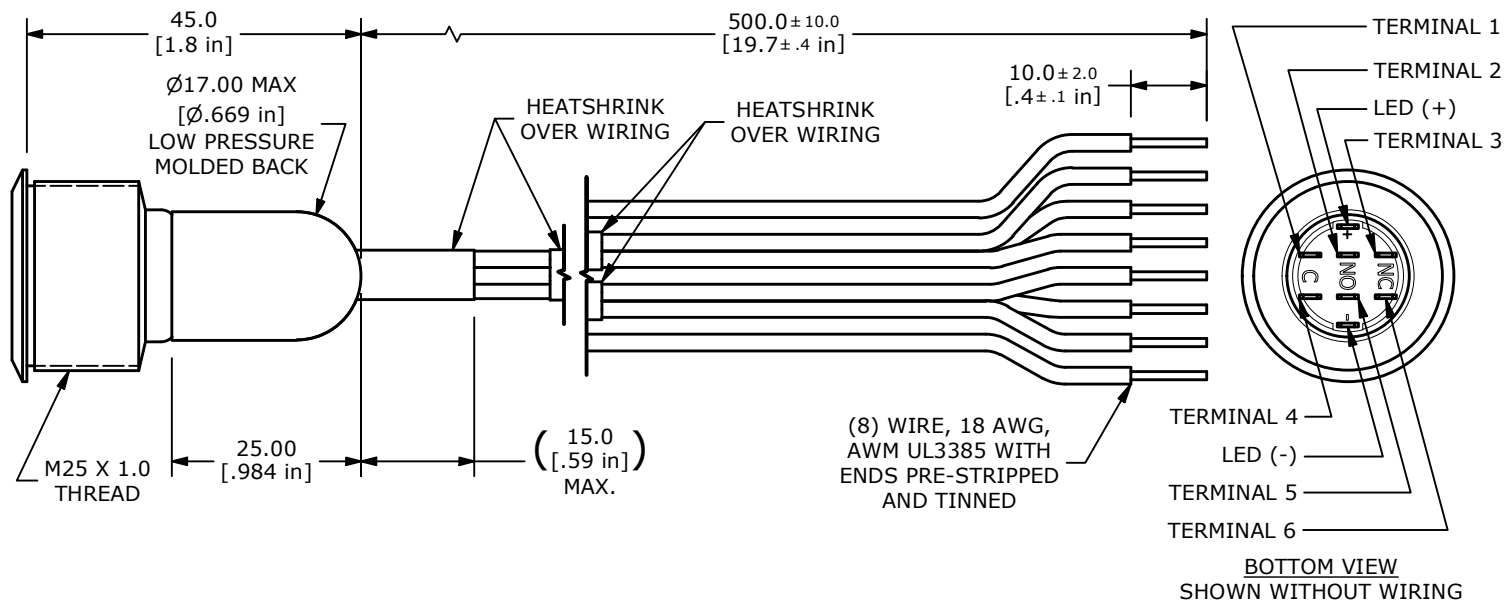
** WIRE LEADS PROVIDED ARE DEPENDENT ON THE FUNCTION SELECTED **



M - Molded Back
w/ Wire Leads
500mm long

SWITCH	WIRE	LENGTH
SW1-1	WIRE, 18 AWG AWM UL3385, YELLOW	500.0 [19.7 in]
SW1-2	WIRE, 18 AWG AWM UL3385, PURPLE	500.0 [19.7 in]
SW1-3	WIRE, 18 AWG AWM UL3385, GREEN	500.0 [19.7 in]
SW1-4	WIRE, 18 AWG AWM UL3385, YELLOW	500.0 [19.7 in]
SW1-5	WIRE, 18 AWG AWM UL3385, PURPLE	500.0 [19.7 in]
SW1-6	WIRE, 18 AWG AWM UL3385, GREEN	500.0 [19.7 in]
SW1- (-)	WIRE, 18 AWG AWM UL3385, BLACK	500.0 [19.7 in]
SW1- (+)	WIRE, 18 AWG AWM UL3385, RED	500.0 [19.7 in]

** WIRE LEADS PROVIDED ARE DEPENDENT ON THE FUNCTION SELECTED **



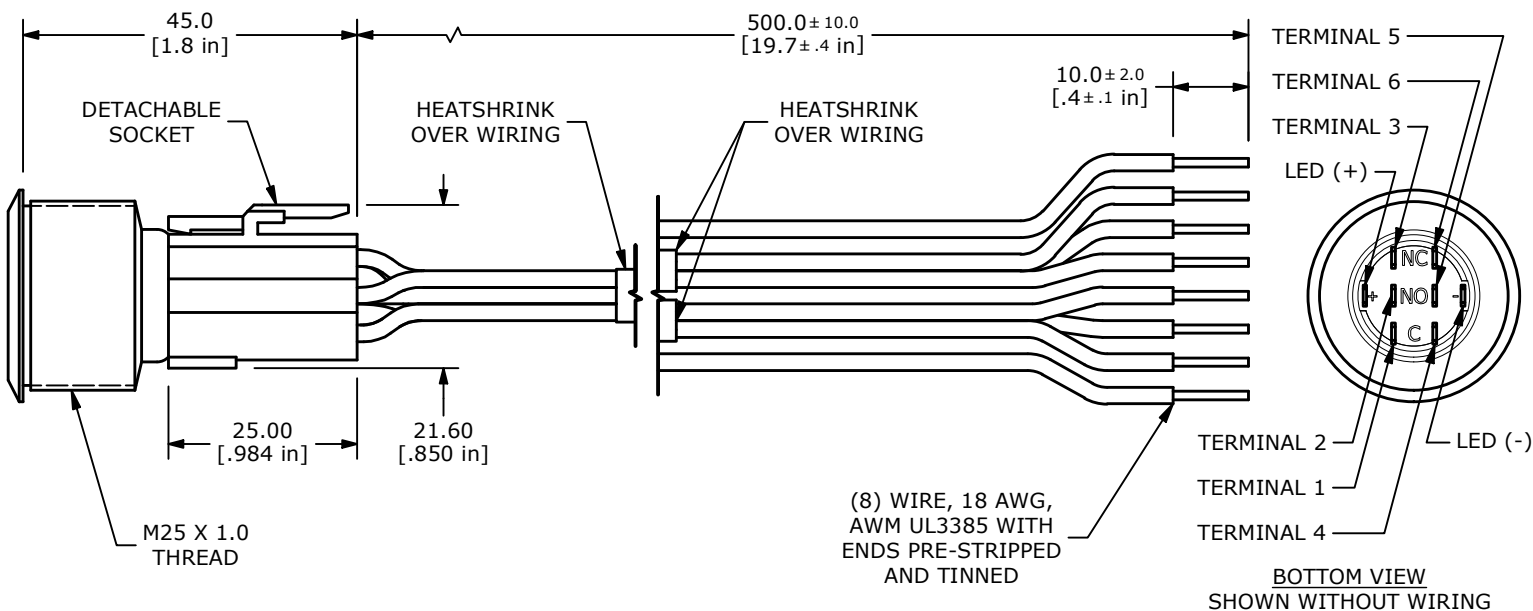
ULV8 SERIES ANTI-VANDAL SWITCH

WIRE OPTIONS

P - Detachable Socket
w/ Wire Leads
500mm long

SWITCH	WIRE	LENGTH
SW1-1	WIRE, 18 AWG AWM UL3385, GREEN	500.0 [19.7 in]
SW1-2	WIRE, 18 AWG AWM UL3385, PURPLE	500.0 [19.7 in]
SW1-3	WIRE, 18 AWG AWM UL3385, YELLOW	500.0 [19.7 in]
SW1-4	WIRE, 18 AWG AWM UL3385, GREEN	500.0 [19.7 in]
SW1-5	WIRE, 18 AWG AWM UL3385, PURPLE	500.0 [19.7 in]
SW1-6	WIRE, 18 AWG AWM UL3385, YELLOW	500.0 [19.7 in]
SW1- (-)	WIRE, 18 AWG AWM UL3385, BLACK	500.0 [19.7 in]
SW1- (+)	WIRE, 18 AWG AWM UL3385, RED	500.0 [19.7 in]

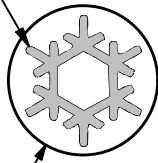
** WIRE LEADS PROVIDED ARE DEPENDENT ON THE FUNCTION SELECTED **



ULV8 SERIES ANTI-VANDAL SWITCH

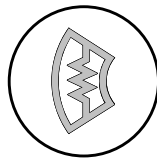
GRAPHIC OPTIONS

** REFER TO BODY DIMENSION PAGES 2 & 3 FOR GRAPHIC ORIENTATION **

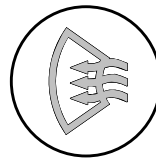
ILLUMINATED

 Ø19.70
 [Ø.776 in]
 GRAPHIC WITHOUT
 BORDER TYP.
 L01



L02



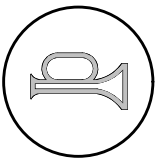
L03



L04



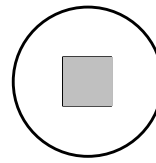
L05



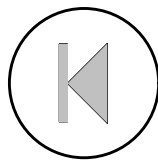
L06



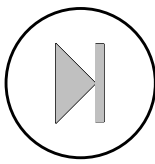
L07



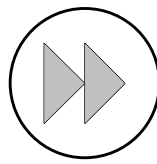
L08



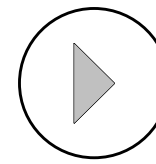
L09



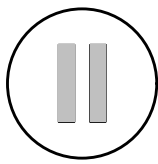
L10



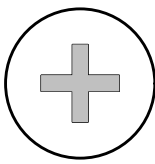
L11



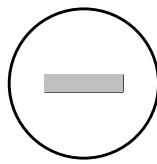
L12



L13



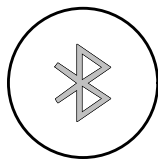
L14



L15



L16



L17



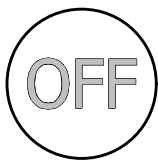
L18



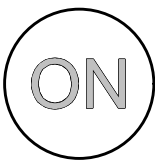
L19



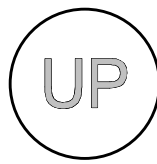
L20



L21



L22



L23



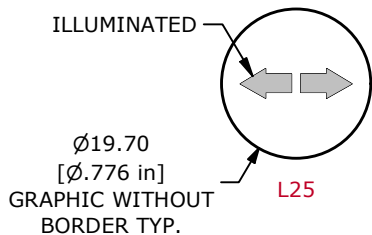
L24



ULV8 SERIES ANTI-VANDAL SWITCH

GRAPHIC OPTIONS (CONT.)

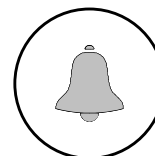
** REFER TO BODY DIMENSION PAGES 2 & 3 FOR GRAPHIC ORIENTATION **



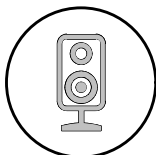
L26



L27



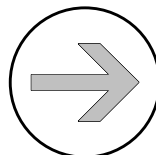
L28



L29



L30



L31



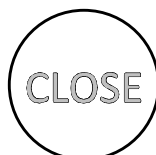
L32



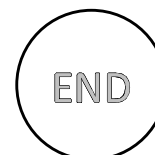
L35



L36



L37



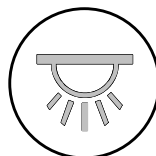
L38



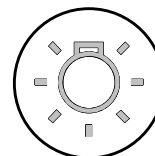
L42



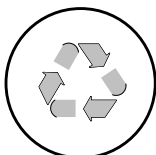
L43



L44



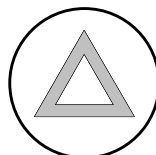
L45



L46



L47



L48

ANTI-VANDAL SWITCHES
DETECTOR SWITCHES
DIP SWITCHES
KEYLOCK SWITCHES
NAVIGATION SWITCHES
PUSHBUTTON SWITCHES
ROCKER SWITCHES
ROTARY SWITCHES
SLIDE SWITCHES
SNAP ACTION SWITCHES
TACTILE SWITCHES
TOGGLE SWITCHES
CAP OPTIONS

