

Description

The 3120-N...-...T1-... thermal circuit breaker/switch combination unites overcurrent protection and the function of an ON/OFF switch within a single component. The trip element is a thermobimetal. Type 3120-N...-...T1-... is ideally suited for overload protection of motors, pumps, transformers and cables. After tripping, it can reliably, easily and quickly be reset. The positively trip-free mechanism ensures reliable disconnection of the circuit even with the actuator blocked.

The 3120 - N type is also available with thermal-magnetic trip. (technical data p. 21 ff.)

Type 3120-N is also available as a switch in accordance IEC/EN 61058 (see data sheet switch 3120-N...Q1).



Typical applications

Medical and laboratory equipment, apparatus and machine construction, professional tools, household and garden appliances, offices machines, audio equipment, machine tools

Features

- Single or double pole thermal circuit breaker/switch combination
- Voltage ratings: AC 240 V, DC 50 V (AC 415 V upon request)
- Current rating range: 0.1 ... 20 A (up to 30 A upon request)
- Optional: push-in terminals for easy and quick wiring with a long-term stability
- Expandable functionality through appliance inlet module
- Functional extension options with add-on modules for low voltage release, auxiliary contact function, remote trip or fast magnetic trip

Approval logos



Conformity



Your benefits

- Maximum equipment availability is ensured by overload protection perfectly matched with the loads (prevention of nuisance tripping) and quick resettability
- Reduced mounting and wiring time
- Space saving design
- Reduced disposition and storage costs
- Increased overall reliability

Further information

The current data sheet as well as other relevant documents are available on our website: www.e-t-a.de/d016

Technical data

For detailed technical information please see www.e-t-a.de/ti_e

Rated voltage AC 240 V, DC 50 V
(AC 415 V upon request)

Current rating range 0.1 ... 20 A
(up to 30A upon request for 1-pole devices only)

Typical life 1-pole (EN 60934)

AC 240 V: 0.1 ... 20 A 30,000 cycles at $1 \times I_N$, inductive
DC 50 V: 0.1 ... 4 A 30,000 cycles at $1 \times I_N$, inductive
4.5 ... 16 A 30,000 cycles at $1 \times I_N$, resistive
DC 28 V: 0.1 ... 20 A 30,000 cycles at $1 \times I_N$, inductive

Typical life 2-pole (EN 60934)

AC 240 V: 0.1 ... 16 A 50,000 cycles at $1 \times I_N$, inductive
17 ... 20 A 30,000 cycles at $1 \times I_N$, inductive
DC 50 V: 0.1 ... 16 A 50,000 cycles at $1 \times I_N$, inductive
17 ... 20 A 10,000 cycles at $1 \times I_N$, inductive

Ambient temperature -30 ... 60 °C

Insulation coordination 2.5 kV /2 reinforced insulation at
(IEC 60664) operating area

Dielectric strength

Operating area Test voltage AC 3,000 V
pole to pole (2-pole) Test voltage AC 1,500 V

Insulation resistance > 100 MΩ (DC 500 V)

Rupture capacity I_{cn} (IEC/EN 60934)

	I_N	U_N	I_{cn}
1-pole, 2-pole	0.1 ... 2 A	AC 240 V / DC 50 V	$10 \times I_N$
1-pole	2.5 ... 10 A	DC 50 V	50 A
1-pole	2.5 ... 20 A	AC 240 V / DC 28 V	200 A
2-pole	2.5 ... 20 A	DC 50 V	250 A
2-pole	2.5 ... 20 A	AC 240 V / DC 28 V	300 A

Interrupting capacity I_{nc} (UL 1077)

	I_N	U_N	I_{nc}
1-pole, 2-pole	0.1 ... 20 A	AC 250 V	5,000 A, C, 1
1-pole, 2-pole	0.1 ... 20 A	DC 50 V	1,000 A, C, 1

Degree of protection (IEC 60529)

Operating area IP40

Terminal area IP00

Other degrees of protection possible,
depending on selected variant,
see further details in data sheet.

Vibration 8 g (57-500 Hz), ± 0.61 mm (10-57 Hz)
Test to IEC 60068-2-6, Test Fc
10 frequency cycles/axis

Shock 30 g (11 ms)
Test to IEC 60068-2-27, Test Ea

Corrosion 96 hours at 5 % salt mist,
Test to IEC 60068-2-11, Test Ka

Humidity 240 hours in 95 % RH
Test to IEC 60068-2-78,
Test Cab

Mass approx. 27 g (1-pole)
approx. 31 g (2-pole)
approx. 42 g (2-pole with PT terminals)

Current ratings and internal resistance values

Current rating (A)	Internal resistance per pole (Ω)	Current rating (A)	Internal resistance per pole (Ω)
0.1	94	4	0.0435
0.2	24	4.5	0.0435
0.3	12	5	0.0325
0.4	5.30	6	0.0215
0.5	4.20	7	0.0165
0.6	2.90	8	0.0165
0.8	1.50	10	< 0.02
1	0.9	12	< 0.02
1.2	0.80	14	< 0.02
1.5	0.45	15	< 0.02
2	0.27	16	< 0.02
2.5	0.0785	18	< 0.02
3	0.0595	20	< 0.02
3.5	0.0565		



Ordering information

Type no.	3120	Thermal rocker-actuated circuit breaker/switch combination
Mounting method		
N3		Snap-in, mounting cut-out 50.5 x 21.5 mm
N5		Snap-in, mounting cut-out 44.5 x 22 mm
Number of poles		
1		1-pole switching, 1-pole thermally protected
2		2-pole switching, 2-pole thermally protected
5		2-pole switching, 1-pole thermally protected
Style		
1		Standard
3		With actuator guard
4		With accordion-style seal, IP65
6		Version with shorter flange (only for mounting method N5)
7		With water splash cover (IP54 in the actuation area) and shorter flange
A		With actuator guard and cross-hole (for optional interlock)
Terminal design		
PT		Push-in terminals
P7		Blade terminals
H7		As P7, terminals 11 and 21 with flat head screws M3.5 - standard for devices with undervoltage release module
N7		As P7, with additional shunt terminals 12(i) and 22(i)
G7		As N7, terminals 11 and 21 with additional flat head screws M3.5
Trip curve		
T1		Thermal trip
Actuator		
W		Rocker
Rocker colour and illumination		
Opaque		
01 .	Black	without illumination
02 .	White	without illumination
04 .	Red	without illumination
Translucent	(when named with Y/R/T/G the rocker is illuminated)	
12 . (Y)	White	without illumination (illuminated)
14 . (R)	Red	without illumination (illuminated)
15 . (Y)	Orange	without illumination (illuminated)
16 . (T)	Blue	without illumination (illuminated)
19 . (G)	Green	without illumination (illuminated)
Marking of rocker		
A	(not for style 4)	
D		
F		
K		
L		
X		
3120-N5 2 4 - PT T1-W 19 D G ...		Ordering example

3120-N5 2 4 - PT T1-W 19 D G ...		Ordering example
Illumination voltage		(= operating voltage)
1	DC 12 V	
2	DC 24 V	
3	AC 115 V	
4	AC 230 V	
5	DC 48 V	
6	AC 400 V (for 2-pole versions up to 16 A)	
Current rating		
0.1 ... 20 A		
Terminal shroud		
A	With terminal shroud, mounted	
3120-N5 2 4 - PT T1-W 19 D G 4-16 A - A		Ordering - example





Ordering information

Type no.
3120 Thermal circuit breaker/switch combination with push button actuation

Mounting method

- N3** Snap-in, mounting cut-out 50.5 x 21.5 mm
- N5** Snap-in, mounting cut-out 44.5 x 22 mm

Number of poles

- 1** 1-pole switching, 1-pole thermally protected
- 2** 2-pole switching, 2-pole thermally protected
- 5** 2-pole switching, 1-pole thermally protected

Style

- D** With actuator guard
- E** With actuator guard and water splash cover IP54
- F** With power-on protection
- V** With power-on protection and water splash cover IP54

Terminal design

- PT** Push-in terminals
- P7** Blade terminals
- H7** As P7, terminals 11 and 21 with flat head screws M3.5 - standard for units with undervoltage release module
- N7** As P7, with additional shunt terminals 12(i) and 22(i)
- G7** As N7, terminals 11 and 21 with additional flat head screws M3.5

Trip curve

- T1** Thermal trip

Actuator

- S** Two push buttons

Colour of push button/illumination (Style D and F without water splash protection)

- GRD** Green/red without illumination
- GRDG** Green with LED illumination/red without illumination

Colour of push button/illumination (Style E and V with water splash protection)

- GRX** Green/red without illumination
- GRXG** Green with LED illumination/red without illumination

Illumination voltage range (= operating voltage)

- 1** DC 12 V
- 2** DC 24 V
- 3** AC 115 V
- 4** AC 230 V
- 5** DC 48 V
- 6** AC 400 V (for 2-pole versions up to 16 A)

Current rating

0.1 ... 20 A

Terminal shroud

- A** With terminal shroud, mounted

3120-N3 5 V - PT T1-S GRD - 20 A - A Ordering - example

Please observe our minimum ordering quantities.

Ordering information

Type no.
3120 Thermal resettable circuit breaker with push button

Mounting method

- N3** Snap-in, mounting cut-out 50.5 x 21.5 mm
- N5** Snap-in, mounting cut-out 44.5 x 22 mm

Number of poles

- 1** 1-pole thermally protected
- 2** 2-pole thermally protected
- 5** 2-pole, 1-pole thermally protected

Style

- G** Resettable circuit breaker

Terminal design

- PT** Push-in terminals
- P7** Blade terminals
- H7** As P7, terminals 11 and 21 with flat head screws M3.5 - standard for units with undervoltage release module
- N7** As P7, with additional shunt terminals 12(i) and 22(i)
- G7** As N7, terminals 11 and 21 with additional flat head screws M3.5

Trip curve

- T1** Thermal trip

Actuator

- D** One push button

Colour of push button

- 01** Black

Marking of the push button

- X** Without marking

Current rating

0.1 ... 20 A

Terminal shroud

- A** With terminal shroud, mounted

3120-N3 2 G - PT T1 - D 01 - X 20 A - A Ordering - example

Please observe our minimum ordering quantities.

Customer-specific solutions

Looking for a version you cannot find in our order numbering code? Please get in touch.

Approvals

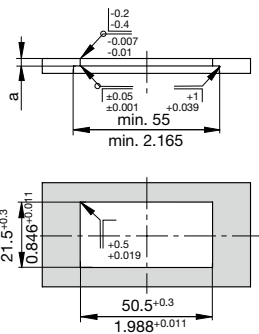
Approval authority	Standard	Rated voltage	Current rating range	Appr.-marks
VDE	IEC/EN 60934	AC 240 V DC 50 V DC 50 V DC 28 V	0.1 A ... 20 A 0.1 ... 20 A (2-pole) 0.1 ... 16 A (1-pole) 0.1 A ... 20 A	
UL	UL 1077	AC 250 V AC 250 V DC 50 V AC 250 V	0.1 A ... 16 A (TC1, OL1) 17 A ... 20 A (TC1, OL0) 0.1 A ... 20 A (TC1, OL0) 30 A* (TC1, OL0)	
CSA	C22.2 No 235	AC 250 V AC 250 V DC 50 V AC 250 V	0.1 A ... 16 A (TC1, OL1) 17 A ... 20 A (TC1, OL0) 0.1 A ... 20 A (TC1, OL0) 30 A* (TC1, OL0)	
CQC	GB 17701	AC 240 V DC 50 V	0.1 A ... 20 A 0.1 A ... 20 A	
KTL	KC60934	AC 240 V	0.1 ... 20 A (2-pole)	

* 2 poles in parallel

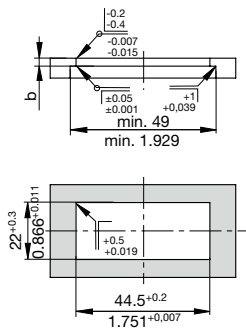
Mounting method

Mounting method

mounting cut-out -N3



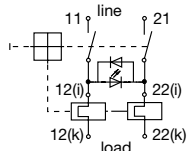
mounting cut-out -N5



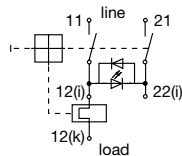
Panel thickness	Style variants 1/3/6/7/A/D/F/G	Style variants 4, E and V
a	1 – 6.35 mm	1 – 5.5 mm
b	1 – 4 mm	1 – 3.2 mm

Schematic diagrams

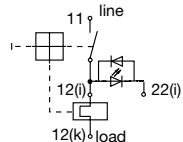
2-pole switching and 2-pole thermally protected



2-pole switching and 1-pole thermally protected

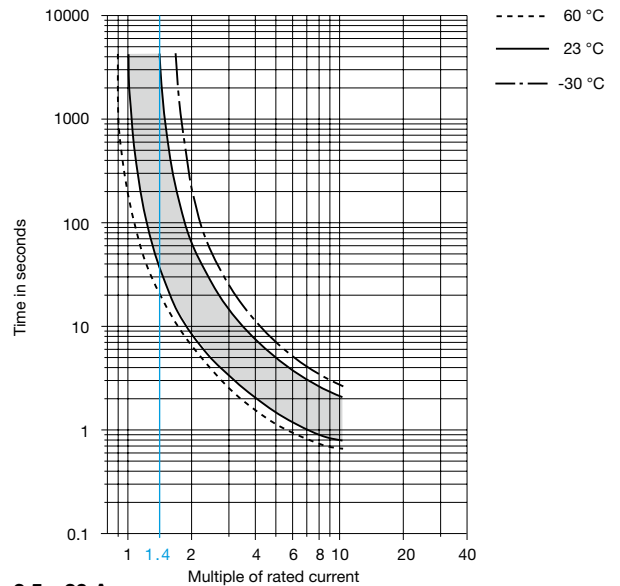


1-pole switching and 1-pole thermally protected

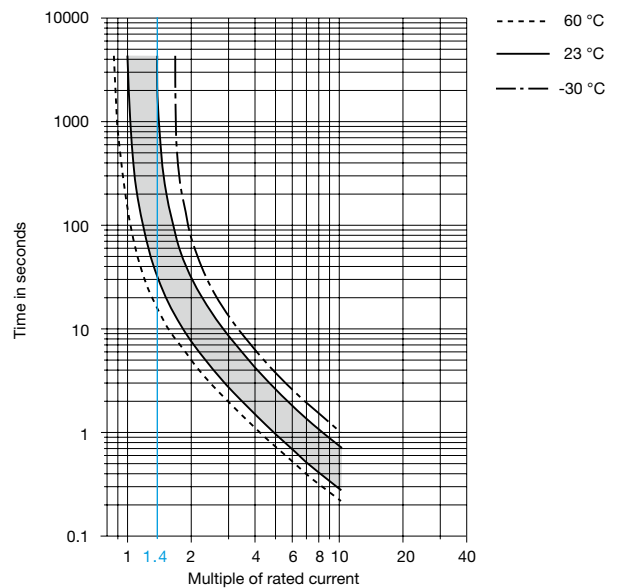


Time/current characteristics

0.1...2 A



2.5...20 A

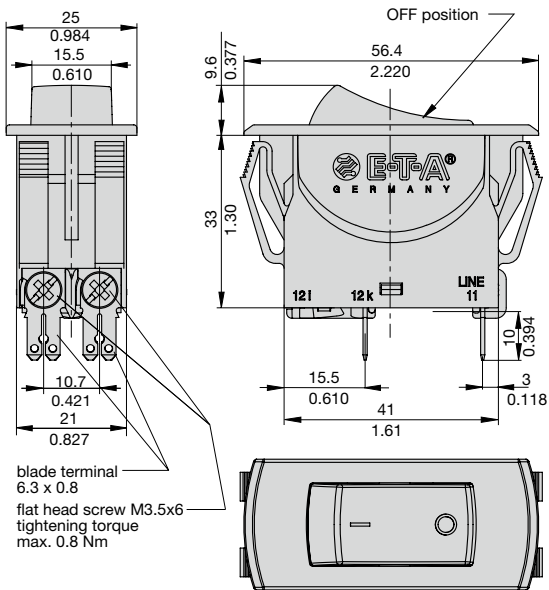


The time/current characteristic depends on the ambient temperature. In order to eliminate nuisance or late tripping, please multiply the current rating of the circuit breaker by a temperature factor (see chapter Technical Information) For detailed technical information please see www.e-t-a.de/ti_e

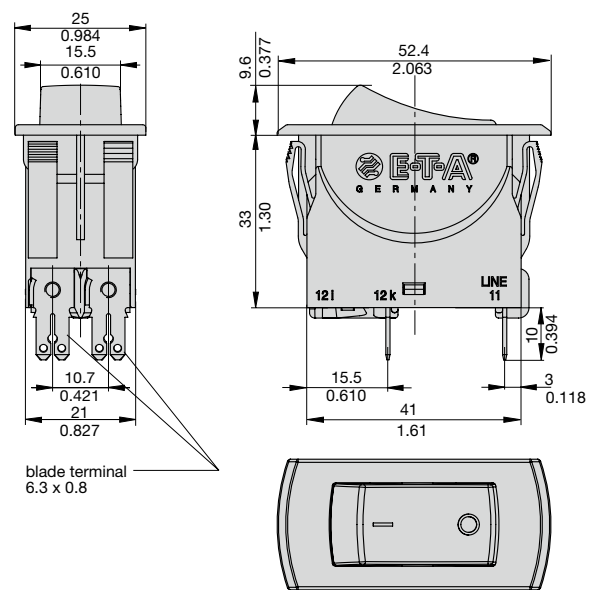
Ambient temperature [°C]	-30	-20	-10	0	23	40	50	60
Temperature factor	0.8	0.84	0.88	0.92	1	1.08	1.14	1.23

Dimensions

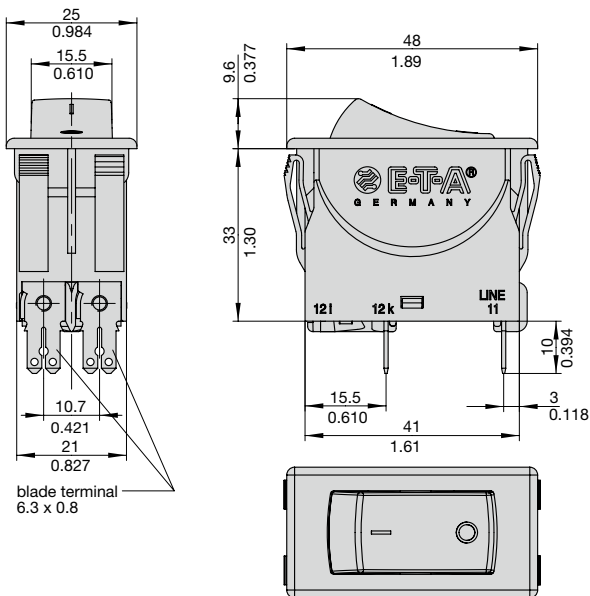
3120-N3.1-H7...



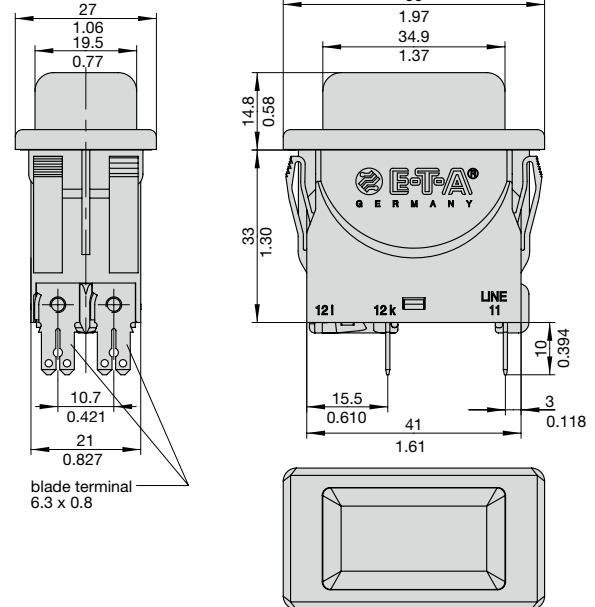
3120-N5.1-P7...



3120-N5.6-P7...

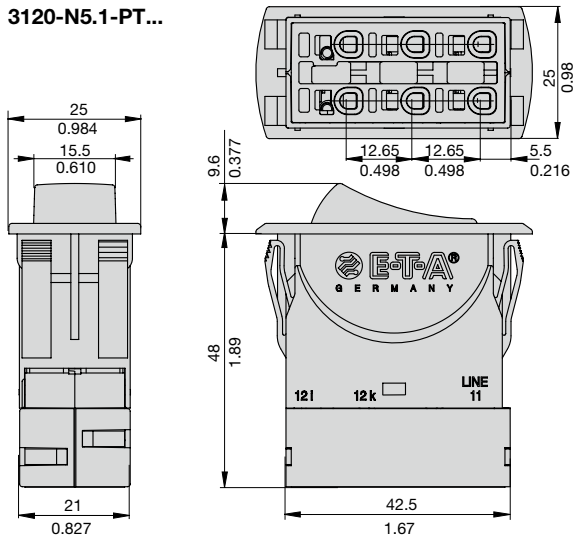


3120-N5.7-P7...

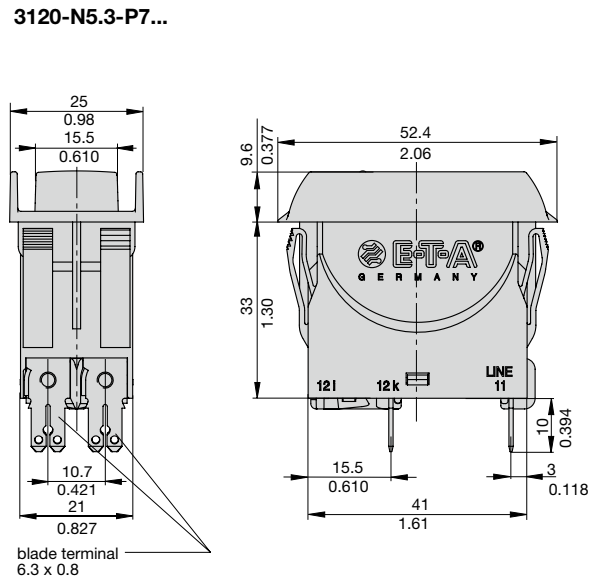


Dimensions

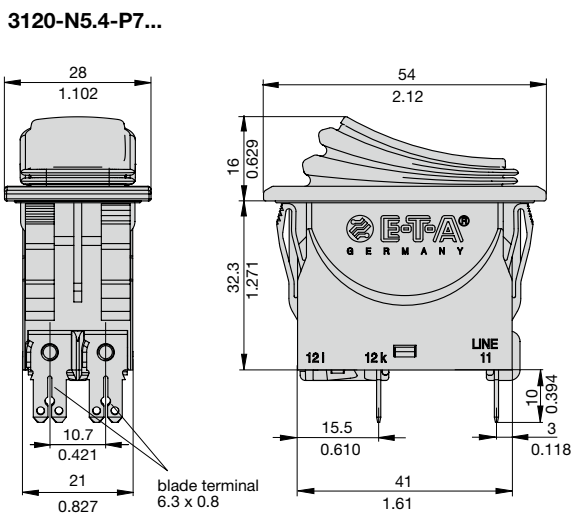
3120-N5.1-PT...



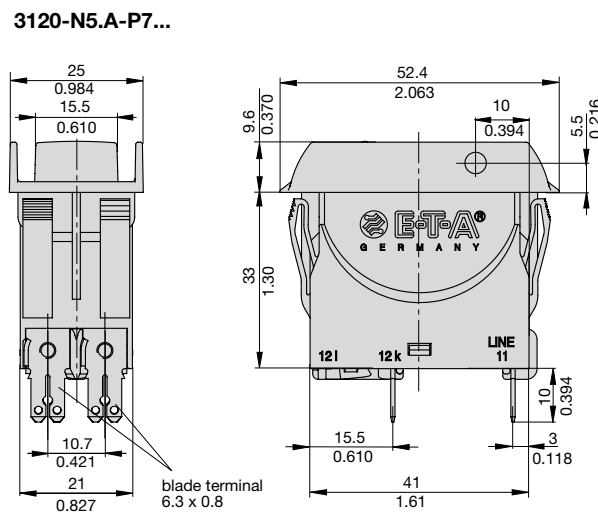
3120-N5.3-P7...



3120-N5.4-P7...



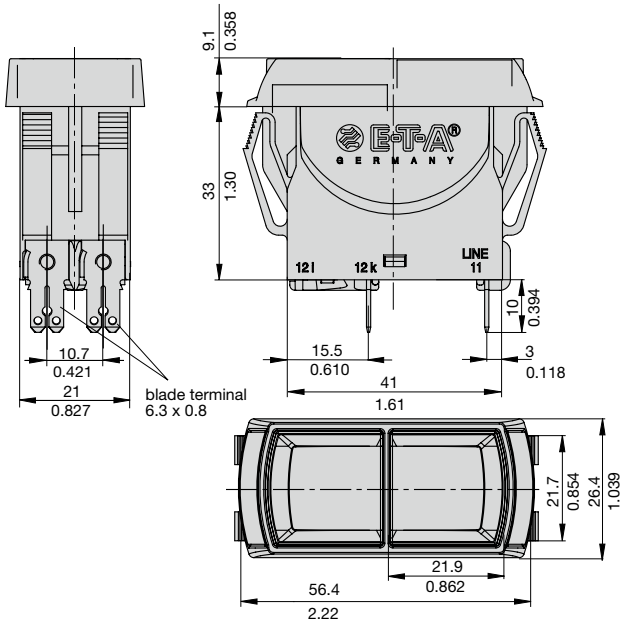
3120-N5.A-P7...



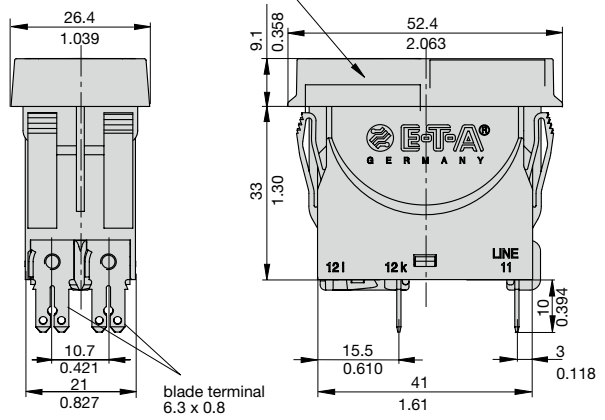
1

Dimensions

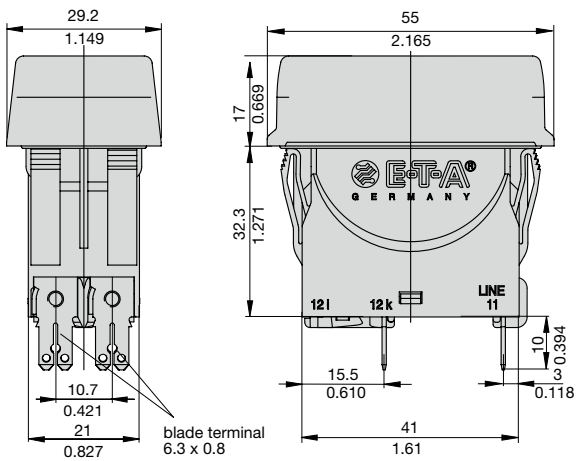
3120-N3.D-P7...



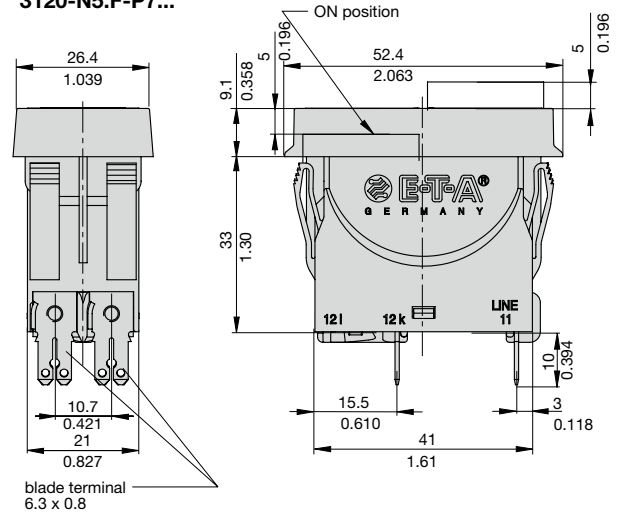
3120-N5.D-P7...



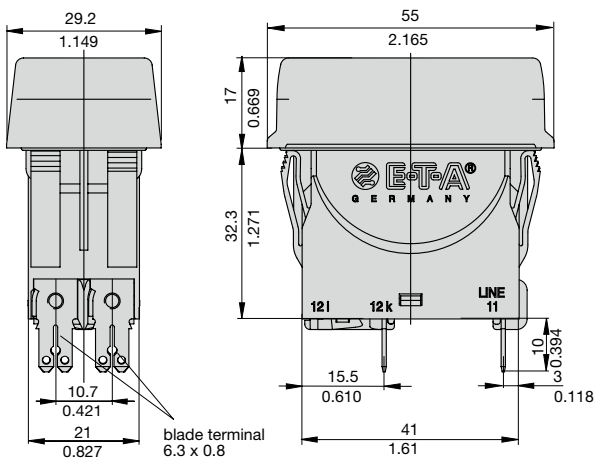
3120-N5.E-P7...



3120-N5.F-P7...

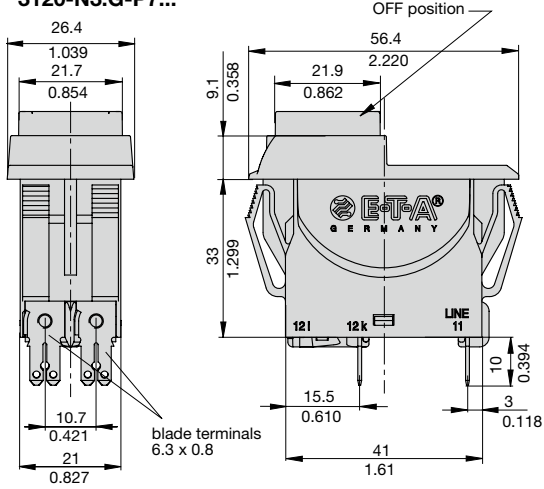


3120-N5.V-P7...

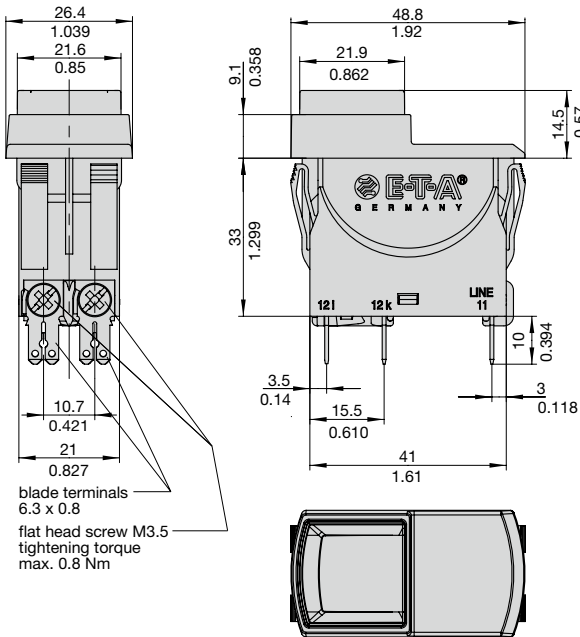


Dimensions

3120-N3.G-P7...



3120-N5.G-P7...



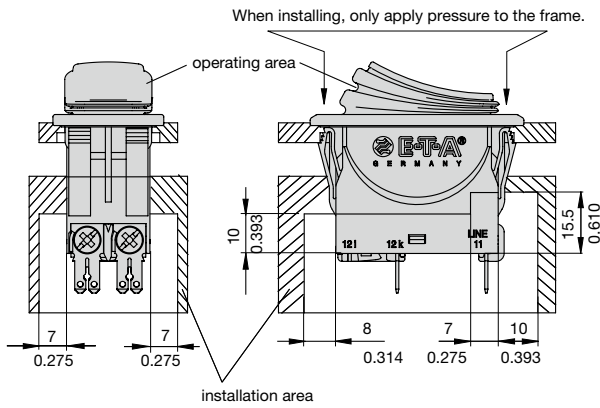
1

Cable cross sections PT terminals

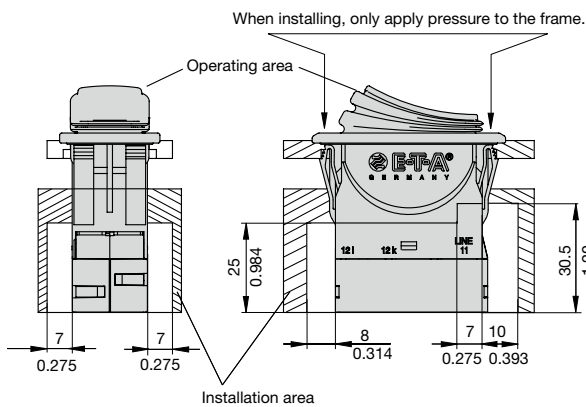
Cable	Cross section with direct push-in wiring
rigid	1...4 mm ² (stripping length: 10 mm)
flexible with wire end ferrule (with or without plastic sleeve)	0.5...2.5 mm ² , length of metal sleeve 8 - 12 mm
Cable	Cross section when opening the push-in terminals
rigid	0.5...4 mm ² (stripping length: 10 mm)
flexible without wire end ferrule	0.5...2.5 mm ²
flexible with wire end ferrule (with or without plastic sleeve)	0.5...2.5 mm ² , length of metal sleeve 8 - 12 mm

Installation drawing

3120 with blade terminals



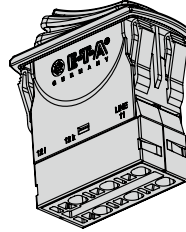
3120 with push-in terminals



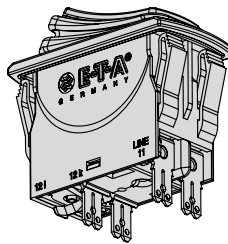
Terminal types

2-pole switching and 2-pole thermally protected

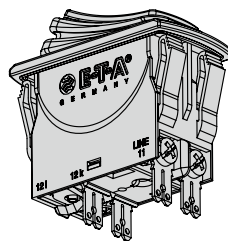
3120-N524-PT



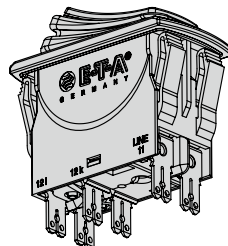
3120-N524-P7



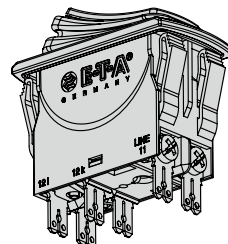
3120-N524-H7



3120-N524-N7

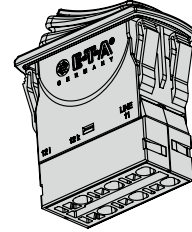


3120-N524-G7

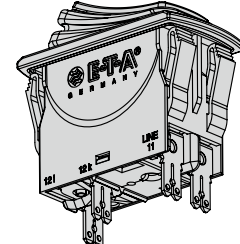


2-pole switching and 1-pole thermally protected

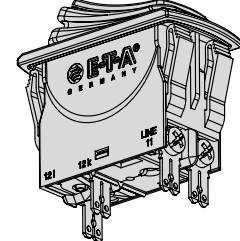
3120-N554-PT



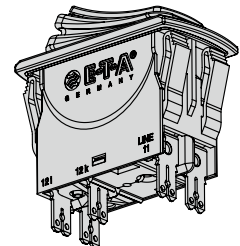
3120-N554-P7



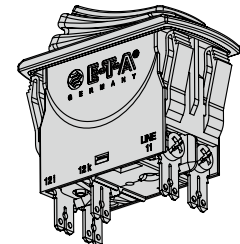
3120-N554-H7



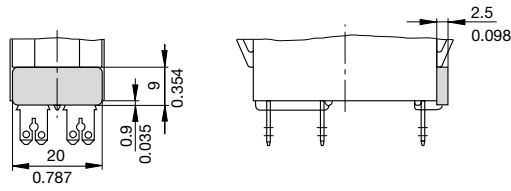
3120-N554-N7



3120-N554-G7



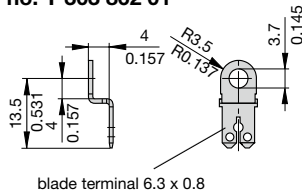
Terminal shroud



Selection A in the order numbering code

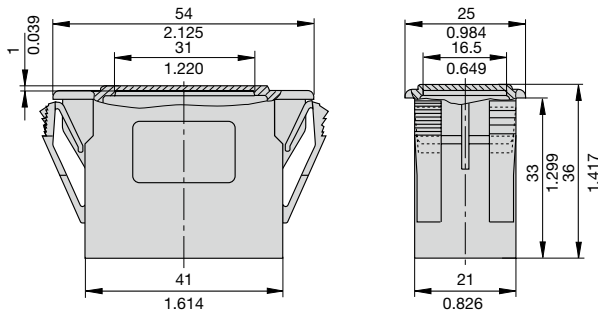
Accessories

Terminal adapter order no. Y 303 862 01

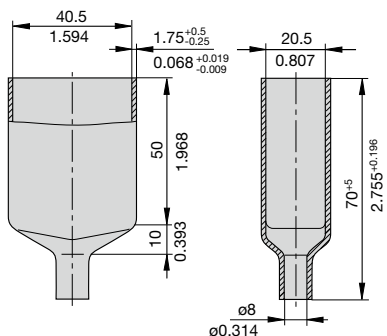


blade terminal 6.3 x 0.8

Cover for -N3 mounting cut-out order no. Y 303 885 31



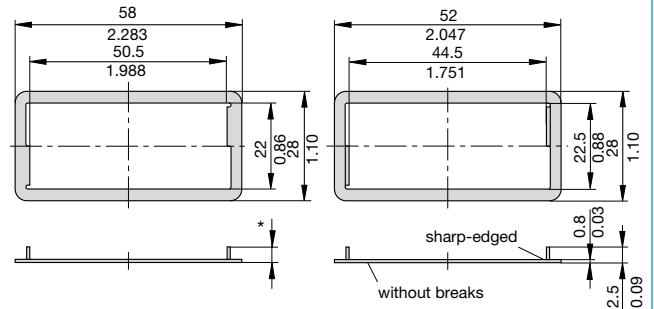
Water splash cover black for terminal area (IP64) order no. Y 304 275 01



Accessories

Snap-in frame for 3120-N3... order no. Y 303 675 01/02

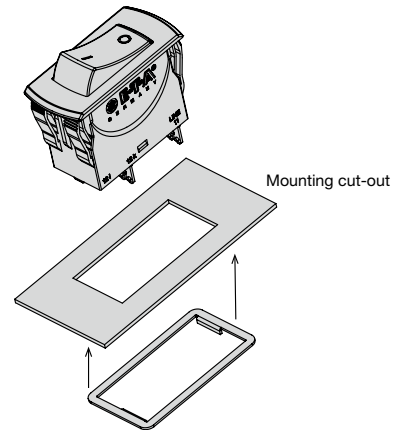
Snap-in frame for 3120-N5... order no. Y 303 676 01



* Y 303 675 01 can only be used for mounting panel thickness < 2 mm
* Y 303 675 02 can only be used for mounting panel thickness < 4 mm

The snap-in frame is used in special cases to ensure a tight fit of the circuit breaker in the mounting cut-out, e.g. in case of dimensional tolerances, soft materials or if the specified edge condition cannot be maintained.

Snap-in frame mounting



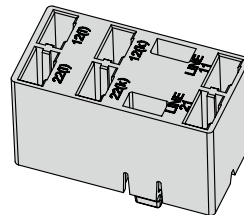
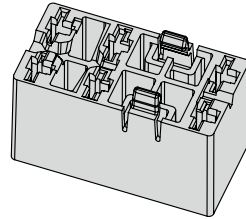
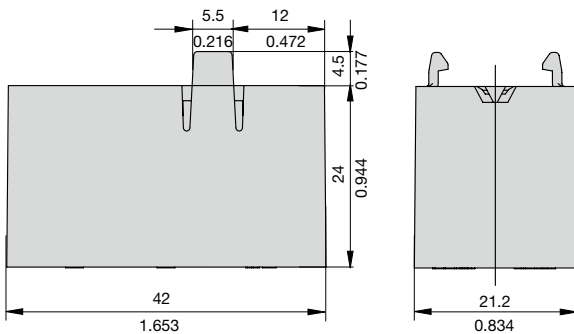
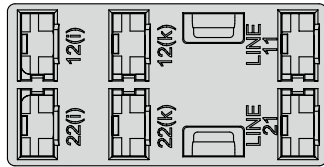
All information and data given on our products are accurate and reliable to the best of our knowledge, but E-T-A does not accept any responsibility for the use in applications which are not in accordance with the present specification. E-T-A reserves the right to change specifications at any time in the interest of improved design and performance. Dimensions are subject to change without notice. Please enquire for the latest dimensional drawing with tolerances if required. All dimensions, data, pictures and descriptions are for information only and are not binding. Amendments, errors and omissions excepted. Part numbers of the devices may differ from their marking.

Accessories

Connection adapter

Order number Y 31214001

For pre-assembly of the connection cables. Two snap-in hooks ensure a firm plug-in connection.



Benefits:

- Time and cost savings during final assembly
- Quick replacement of devices
- Cover for the blade terminals

Note:

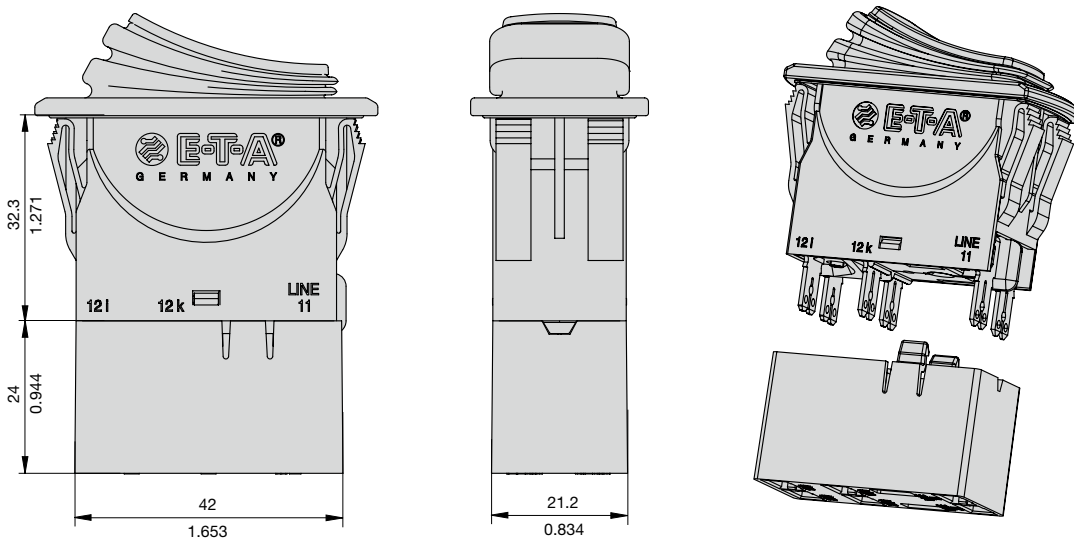
Supplied without female contacts.

The chamber dimensions for the female contacts (plug width 6.3 mm) are in accordance with DIN 46340 Part 3, Form A.

Examples of suitable receptacles: Stocko RSB 7916 F6.3-1, Klauke type 2730, Vogt type 3832d.67.

TE FASTON Terminals 250 Series, Delphi Packard 58 Series;

Connection adapter plugged onto circuit breaker:



E-T-A® 3120-N...-...T1-... Thermal Circuit Breaker

Description – appliance inlet module X3120 A/B

The X3120 appliance inlet module with 3120- N5 circuit breaker combines up to four functions within a single component: A C14/C20 appliance inlet, an ON/ OFF switch, resettable overcurrent protection and a line filter. Screw-type mounting from the front or from the rear.

Typical applications

Electrical medical apparatus, laboratory equipment, professional audio equipment and office machines.

Approvals

X3120-A – C14 inlet plugs

Approval authority	Standard	Rated voltage	Max. current rating
ENEC	IEC/EN 60320-1	AC 240 V	10 A
UL/CSA	UL 60320-1, CSA C22.2 no. 60320-1	AC 250 V	15 A
CQC	CCC	AC 250 V	10 A

X3120-A - filter

Design to UL 1283, CSA 22.2 No. 8 1986, IEC/EN 60939

X3120-B – C20 inlet plugs

Approval authority	Standard	Rated voltage	Max. current rating
ENEC	IEC/EN 60320-1	AC 240 V	16 A
UL/CSA	UL 60320-1, CSA C22.2 no. 60320-1	AC 240 V	20 A

Please note: the current rating of the circuit breaker must not exceed the max. current of the filter/inlet plug, depending on the approval.

Selection of filter rating

Current rating of circuit breaker	Min. rating of filter
0.1 ... 1 A	1 A
1.2 ... 3 A	3 A
3.5 ... 6 A	6 A
7 ... 8 A	8 A
9 ... 10 A	10 A
12 A	12 A
14 ... 15 A	15 A

The current rating of the circuit breaker must not be higher than the filter current rating. For best attenuation a filter with the smallest possible current rating should be selected. Depending on the IEC/EN or UL/CSA approval, other maximum values are permissible for the inlet plug. The table above serves as orientation.

For protection of the filter in the event of higher overcurrents, we recommend 3120- N circuit breakers with thermal-magnetic trip (3120- N...-M1...).

For further technical information please refer to page 21.



Ordering information

Type no.

X3120 Appliance inlet module for circuit breaker type 3120- N

Module

A C14 appliance inlet

(can be combined with 3120-N5.6/-N5.7/-N5.G)

B C20 appliance inlet

(without filter, can be combined with 3120-N5.6/-N5.G)

Mounting method

04 Screw-type mounting

Filters

00 Without filter

01 Standard line filter

03 Standard line filter for medical equipment

06 High-power line filter for medical equipment

Current rating for filter (only with module A)

01 1 A

03 3 A

06 6 A

08 8 A

10 10 A

12 12 A

15 15 A

Version

01 Not wired, mounting position 3120: OFF position at connector

11 Wired; mounting position 3120: OFF position at connector

Supply status

M Module supplied with mounted 3120 circuit breaker and connector

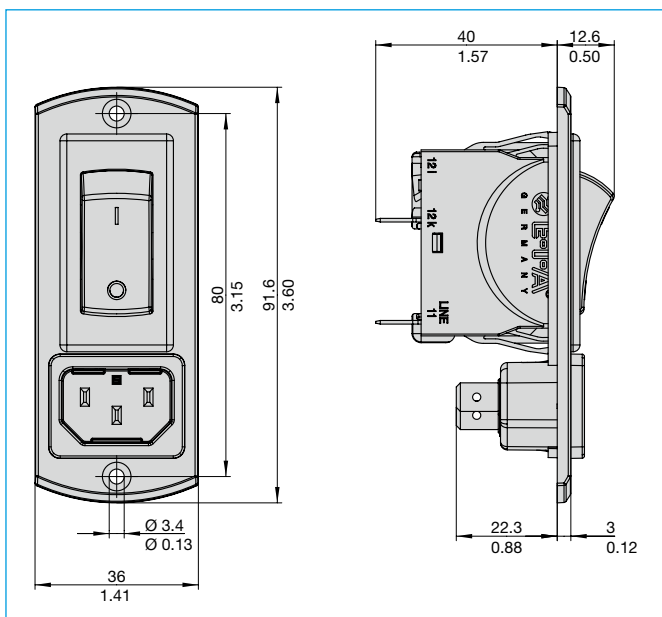
X3120- A 04 01 08 01 M Ordering example

All information and data given on our products are accurate and reliable to the best of our knowledge, but E-T-A does not accept any responsibility for the use in applications which are not in accordance with the present specification. E-T-A reserves the right to change specifications at any time in the interest of improved design and performance. Dimensions are subject to change without notice. Please enquire for the latest dimensional drawing with tolerances if required. All dimensions, data, pictures and descriptions are for information only and are not binding. Amendments, errors and omissions excepted. Part numbers of the devices may differ from their marking.

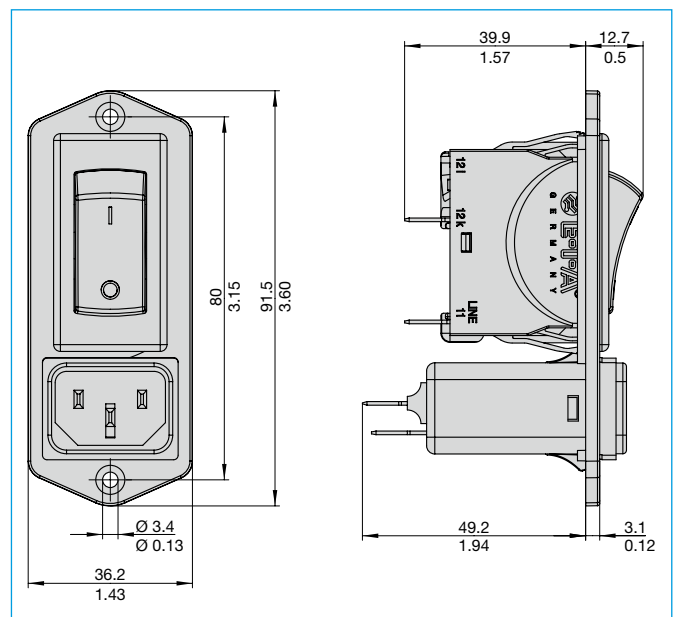
Technical data

	X3120-A0400 (without filter)	X3120-A040x	X3120-B0400
Rated voltage	AC 250 V	AC 250 V	AC 250 V
Current rating (appliance inlet)	10 A (IEC/EN) 15 A (UL/CSA)	10 A (IEC/EN) 15 A (UL/CSA)	16 A (IEC/EN) 20 A (UL/CSA)
Ratings of filter		1 A, 3 A, 6 A, 8 A, 10 A, 12 A, 15 A	
Operating temperature	-25°C ... +60°C	-25°C ... +60°C	-25°C ... +60°C
Number of poles	L, N + mass	L, N + mass	L, N + mass
Degree of protection	I	I	I
Mounting method	Screw-type mounting (from the front or from the rear)	Screw-type mounting (from the front or from the rear)	Screw-type mounting (from the front or from the rear)
Terminals	DIN46244 blade terminal 6.3 mm x 0.8 mm	DIN46244 blade terminal 6.3 mm x 0.8 mm	DIN46244 blade terminal 6.3 mm x 0.8 mm
Housing material	Thermoplastics, black, UL94V-0	Thermoplastics, black, UL94V-0	Thermoplastics, black, UL94V-0
Appliance inlet:	C14 to IEC/EN 60320-1, UL 60320-1, CSA C22.2 no. 60320 - 1	C14 with line filter to IEC/EN 60939, UL 1283, CSA 22.2 no. 8	C20 to IEC/EN 60320-1, UL 60320-1, CSA C22.2 no. 60320-1
Main switch	circuit breaker for equipment protection 3120-N5.6 3120-N5.7 3120-N5.G	circuit breaker for equipment protection 3120-N5.6 3120-N5.7 3120-N5.G	circuit breaker for equipment protection 3120-N5.6 3120-N5.G

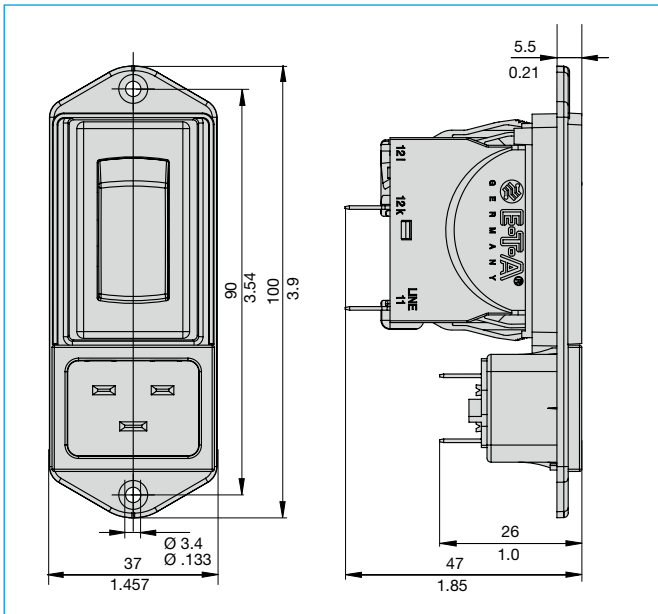
X3120-A0400 dimensional drawing (in fig. with 3120-N5.6)



X3120-A040x dimensional drawing (in fig. with 3120-N5.6)

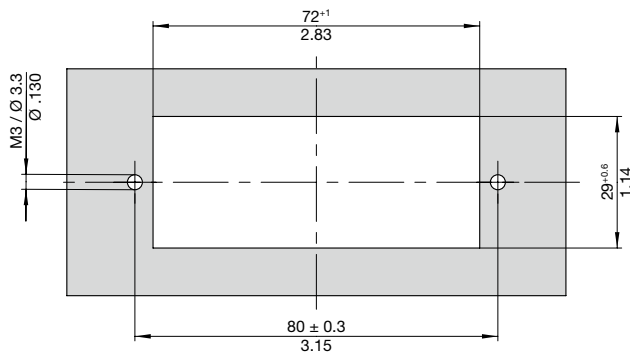


X3120-B0400 dimensional drawing
(in fig. with 3120-N5.6)

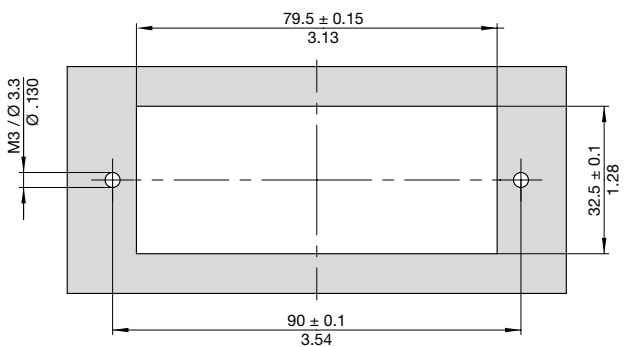


Mounting cut-out

X3120-A0400
X3120-A040x



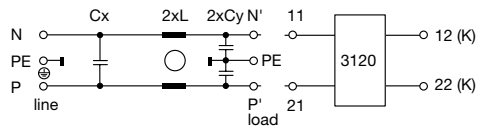
X3120-B0400



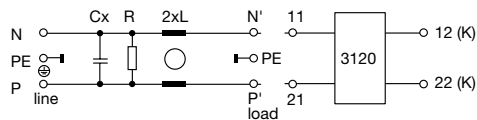
1

Schematic diagram X3120-A

X3120-A0401
Standard filter



X3120-A0403 and X3120-A0406
Line filter for medical equipment

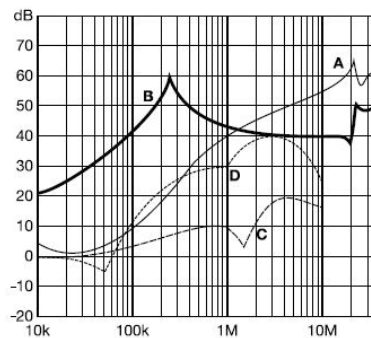


X3120-A0401 and X3120-A0403 – standard filters

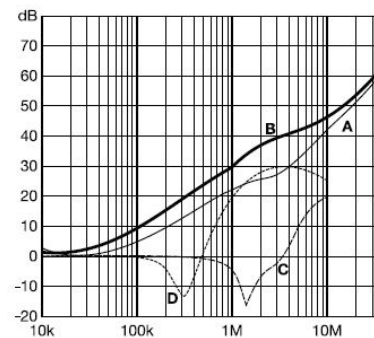
Typical filter attenuation: to CISPR 17

A = 50 Ω / 50 Ω sym; B = 50 Ω / 50 Ω asym; C = 0.1 Ω / 100 Ω sym; D = 100 Ω / 0.1 Ω sym

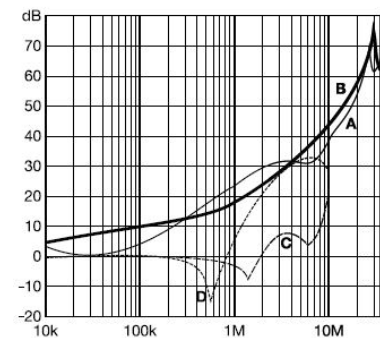
1 and 3 A models



6 – 10 A models



12 and 15 A models

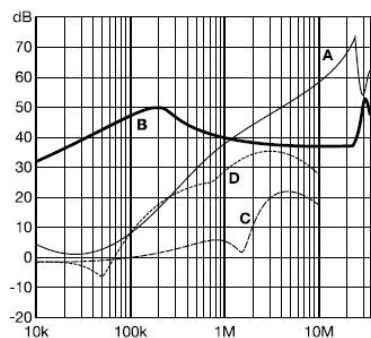


X3120-A0406 – high-power filters

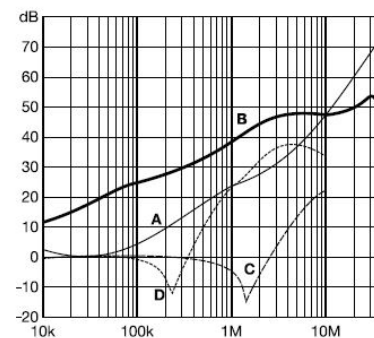
Typical filter attenuation: to CISPR 17

A = 50 Ω / 50 Ω sym; B = 50 Ω / 50 Ω asym; C = 0.1 Ω / 100 Ω sym; D = 100 Ω / 0.1 Ω sym

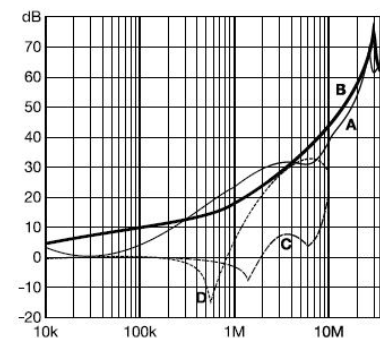
1 and 3 A models



6 – 10 A models



12 and 15 A models



Filter selection table

Filters	Current rating 50 °C (25 °C) A	Leakage current 250VAC/50Hz μA	Inductance L mH	Capacity Cx μF	Capacity Cy nF	Resistance R kΩ
X3120-A040101..M	1 (1.2)	373	12	0.1	2.2	
X3120-A040103..M	3 (3.5)	373	2.5	0.1	2.2	
X3120-A040106..M	6 (7.2)	373	0.78	0.1	2.2	
X3120-A040108..M	8 (10.6)	373	0.5	0.1	2.2	
X3120-A040110..M	10 (11.6)	373	0.225	0.1	2.2	
X3120-A040112..M	12 (12)	373	0.11	0.1	2.2	
X3120-A040115..M	15 (15)	373	0.075	0.1	2.2	
X3120-A040301..M	1 (1.2)	2	12	0.1		1000
X3120-A040303..M	3 (3.5)	2	2.5	0.1		1000
X3120-A040306..M	6 (7.2)	2	0.78	0.1		1000
X3120-A040308..M	8 (10.6)	2	0.5	0.1		1000
X3120-A040310..M	10 (11.6)	2	0.225	0.1		1000
X3120-A040312..M	12 (12)	2	0.11	0.1		1000
X3120-A040315..M	15 (15)	2	0.075	0.1		1000
X3120-A040601..M	1 (1.2)	2	59.53	0.1		1000
X3120-A040603..M	3 (3.5)	2	13.45	0.1		1000
X3120-A040606..M	6 (7.2)	2	4.1	0.1		1000
X3120-A040608..M	8 (10.6)	2	2.3	0.1		1000
X3120-A040610..M	10 (11.6)	2	1.02	0.1		1000
X3120-A040612..M	12 (12)	2	0.58	0.1		1000
X3120-A040615..M	15 (15)	2	0.4	0.1		1000

Description X3120-U undervoltage release module

The undervoltage release module reliably excludes personal injury through automatic re-start after voltage dip or power failure.

Note: 3120- N...-H7 or -G7 basic device requires screw terminals. Not possible in combination with PT terminals.

Applies in combination with design variant 4 (accordion-style):
In the event of voltage dip or power failure, the undervoltage release module switches Circuit breaker off. The rocker actuator will go into centre position. Reset is effected in two steps:
Step 1: Switch rocker into OFF position.
Step 2: Reset circuit breaker.

Not possible with style configurations D and E.

Typical applications

All machines that could cause personal injury upon automatic re-start, e.g. drilling machines, electric saws, meat cutting machines etc.

The X3120-U02 version allows set up of a cost-effective safety circuit via the physically isolated undervoltage release module, which enables implementation for example of a remote disconnection with emergency stop.

Ordering information

Type no.

X3120 Module for 3120-N device

Module

U Undervoltage release module

Design

00 Standard (without separate connections)

01 1 blade terminals 2.8x0.8

02 2 blade terminals 2.8x0.8

Rated voltage

00 AC 230/240 V 50/60 Hz

01 AC 120 V 50/60 Hz

02 AC 100 V 50/60 Hz

03 DC 24 V

04 AC 400 V 50/60 Hz

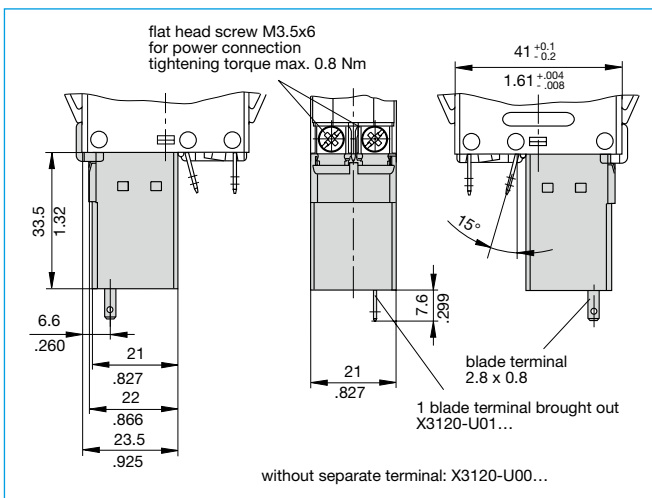
Supply status

M Module mounted to circuit breaker 3120

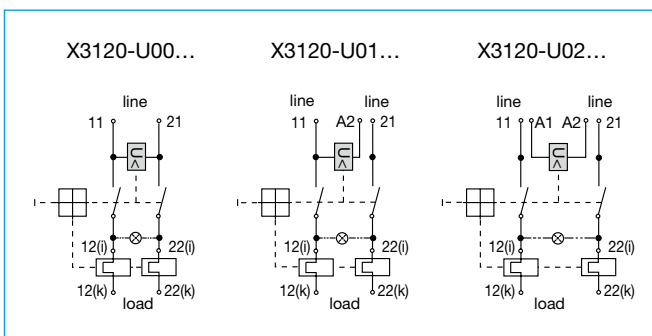
X3120- U 00 00 M Ordering example

All information and data given on our products are accurate and reliable to the best of our knowledge, but E-T-A does not accept any responsibility for the use in applications which are not in accordance with the present specification. E-T-A reserves the right to change specifications at any time in the interest of improved design and performance. Dimensions are subject to change without notice. Please enquire for the latest dimensional drawing with tolerances if required. All dimensions, data, pictures and descriptions are for information only and are not binding. Amendments, errors and omissions excepted. Part numbers of the devices may differ from their marking.

Dimensions – undervoltage release module



Schematic diagrams



Technical data

Voltage ratings:	AC 100 V; AC 120 V; AC 230/240 V; AC 400 V (50/60 Hz) DC 24 V
Voltage tolerances	+ 10 %/- 15 %
Typical life	20,000 cycles
Current consumption	approx. 2.5 mA
Release values	$0.2 \times U_N < U < 0.7 \times U_N$ (at a rated voltage of AC 100 V the device can trip at 70 V and must trip at 20 V)
Trip time	< 20 ms
Latch-in values	$\geq 85 \% U_N$
Ambient temperature	-30 ... 60 °C
Vibration	8 g (57-500 Hz), ± 0.61 mm (10-57 Hz) Test to IEC 60068-2-6, Test Fc 10 frequency cycles/axis
Shock	30 g (11 ms) Test to IEC 60068-2-27, Test Ea
Corrosion	48 hours at 5 % salt mist, Test to IEC 60068-2-11, Test Ka
Humidity	240 hours in 95 % RH Test to IEC 60068-2-78, Test Cab
Mass	approx. 56 g (including base device)

Description X3120-S auxiliary contact module

Add-on module for circuit breaker type 3120-F. The auxiliary contact module has a change-over contact as signal contact and is operated with actuation of the CBE.

Note: Only possible with terminal versions N7 and P7.

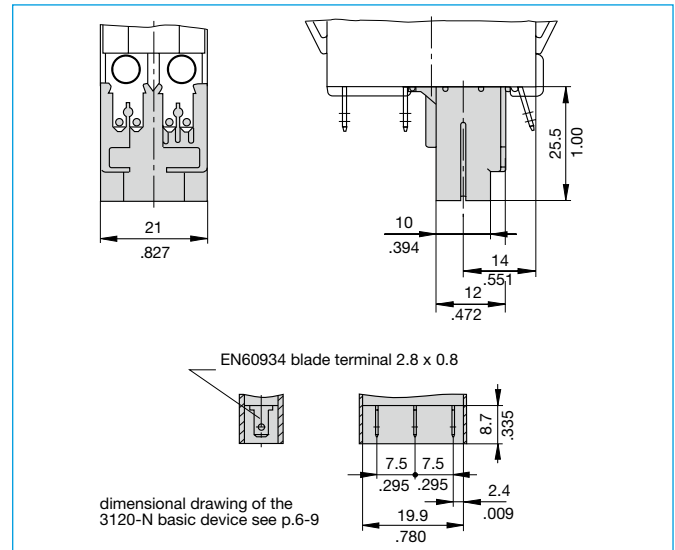
Typical applications

Status monitoring of CBE and/or the connected loads.

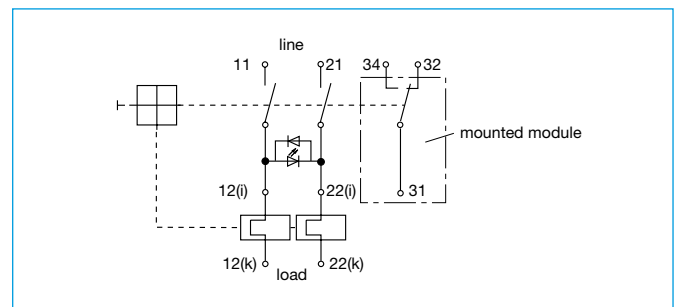
Ordering information

Type no.	
X3120	Module for 3120-N device
Module	
S	Auxiliary contact module
Design	
0	Change-over contact
Terminal design	
1	Blade terminals
Key for rated power	
A	AC 10 V – AC 250 V 0.1 ... 4 A
	DC 12 V 0.1 ... 4 A
	DC 24 V 0.1 ... 4 A
	DC 60 V 0.1 ... 1 A
	DC 110 V 0.1 ... 0.5 A
	DC 220 V 0.1 ... 0.25 A
B	AC 5 V – AC 250 V 5 ... 100 mA
	DC 5 V – DC 250 V 5 ... 100 mA
Supply status	
M	Module mounted to 3120 circuit breaker
X3120-S 0 1 A M	Ordering example

Dimensions – auxiliary contact module



Schematic diagram



Technical data

Rated voltage	AC 250 V, DC 250 V
Current rating	0.1...4 A / 5...100 mA
Typical life	50,000 cycles
Ambient temperature	-30 ... 60 °C
Dielectric strength	
between main and auxiliary circuit	Test voltage AC 3,000 V
Insulation resistance	> 100 MΩ (DC 500 V)
Vibration	6 g (57-500 Hz), ± 0.46 mm (10-57 Hz) Test to IEC 60068-2-6, Test Fc 10 frequency cycles/axis
Shock	15 g (11 ms) Test to IEC 60068-2-27, Test Ea
Corrosion	96 hours at 5 % salt mist, Test to IEC 60068-2-11, Test Ka
Humidity	240 hours in 95 % RH Test to IEC 60068-2-78, Test Cab
Mass	approx. 41 g (including base device)

All information and data given on our products are accurate and reliable to the best of our knowledge, but E-T-A does not accept any responsibility for the use in applications which are not in accordance with the present specification. E-T-A reserves the right to change specifications at any time in the interest of improved design and performance. Dimensions are subject to change without notice. Please enquire for the latest dimensional drawing with tolerances if required. All dimensions, data, pictures and descriptions are for information only and are not binding. Amendments, errors and omissions excepted. Part numbers of the devices may differ from their marking.

Description X3120-M remote trip module

By applying voltage (pulse) to the remote trip module the 3120-N circuit breaker can be tripped electrically.

Note: Not possible in combination with PT terminals.

Typical applications

Electrical remote trip of safety systems.

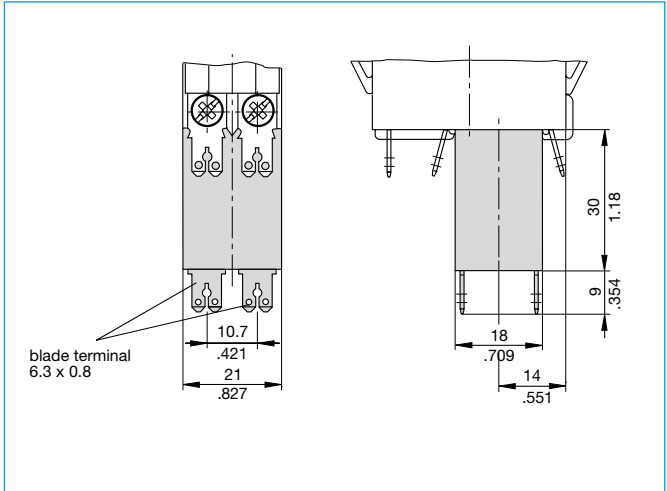
Ordering information

Type no.	X3120	Module for 3120-N device
Module	M	Magnetic relay trip module
Design	2	Magnetic coil physically isolated from device
Terminal design	P7	Blade terminals
Supply status	M	Module is only supplied mounted to base device
Rated voltage	AC 120, 230 V DC 12, 24 V	
Ordering example	X3120- M 2 P7 M -12 V	

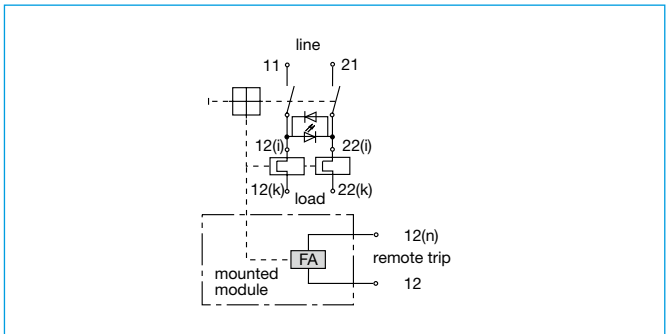
Standard voltage ratings and typical internal resistance values

Rated voltage	Internal resistance (Ω)	Rated voltage	Internal resistance (Ω)
DC 12 V	0.78	AC 120 V	71.0
DC 24 V	3.3	AC 230 V	312

Dimensions – remote trip module



Schematic diagram



Technical data

Voltage ratings	AC 120...230 V; DC 12...24 V
Power consumption	approx. 200 Watt
Pulse operation	20 ms < t _{on} < 100 ms t _{off} > 10 sec
Trip time	< 20 ms
Typical life	50,000 operations at U _N
Ambient temperature	-30 ... 60 °C
Dielectric strength	
between main and trip current circuit	Test voltage AC 3,000 V
Insulation resistance	> 100 MΩ (DC 500 V)
Vibration	8 g (57-500 Hz), ± 0.61 mm (10-57 Hz) Test to IEC 60068-2-6, Test Fc 10 frequency cycles/axis
Shock	30 g (11 ms) Test to IEC 60068-2-27, Test Ea
Corrosion	96 hours at 5 % salt mist, Test to IEC 60068-2-11, Test Ka
Humidity	240 hours in 95 % RH Test to IEC 60068-2-78, Test Cab
Mass	approx. 56 g (including base device)

All information and data given on our products are accurate and reliable to the best of our knowledge, but E-T-A does not accept any responsibility for the use in applications which are not in accordance with the present specification. E-T-A reserves the right to change specifications at any time in the interest of improved design and performance. Dimensions are subject to change without notice. Please enquire for the latest dimensional drawing with tolerances if required. All dimensions, data, pictures and descriptions are for information only and are not binding. Amendments, errors and omissions excepted. Part numbers of the devices may differ from their marking.

Description

The 3120- N...-...M1-... thermal-magnetic circuit breaker/switch combination unites overcurrent protection and the function of an ON/OFF switch within a single component. The integral thermobimetal ensures ideally matched overload protection. The magnetic trip module trips the circuit breaker/switch combination at overload currents from four times rated current within milliseconds.

The 3120- N...-...M1-... meets the fire resistance requirements to EN 60335-1: 2007-02 Safety of household and similar electrical appliances.



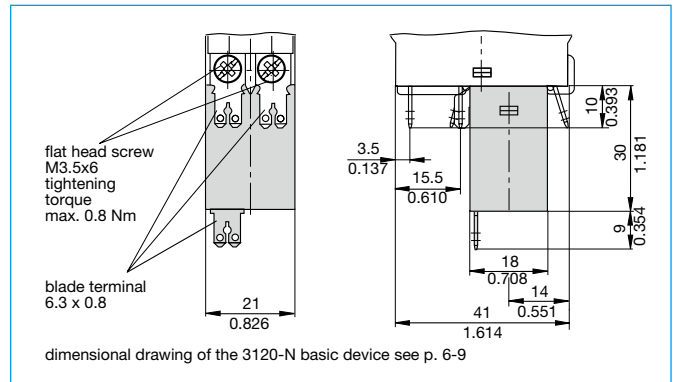
Typical applications

Electric motors, household appliances and office machines, electrical tools, power supplies, charging rectifiers

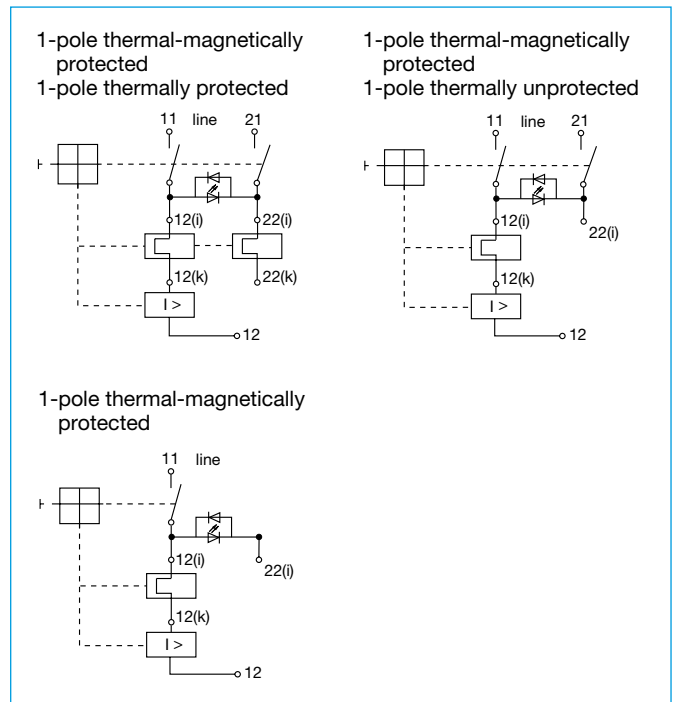
Current ratings and internal resistance values

Current rating (A)	Internal resistance per pole (Ω)	
	Thermal-magnetic	Thermal
0.1	165	94
0.2	42.5	24
0.3	20.2	12
0.4	9.7	5.40
0.5	7.17	4.30
0.6	4.9	3
0.8	2.65	1.50
1	1.49	0.9
1.2	1.25	0.7
1.5	0.74	0.45
2	0.49	0.29
2.5	0.20	0.0785
3	0.14	0.0595
3.5	0.114	0.0565
4	0.092	0.0435
5	0.06	0.0325
6	0.043	0.0215
7	0.030	0.0215
8	0.029	0.02
10	0.021	0.02
12	< 0.02	< 0.02
14	< 0.02	< 0.02
15	< 0.02	< 0.02
16	< 0.02	< 0.02

Dimensions – magnetic trip module



Schematic diagrams



Technical data

For detailed technical information please see www.e-t-a.de/ti_e

Rated voltage	AC 240 V, DC 50 V (AC 415 V upon request)
Current rating range	0.1 ... 16 A

Typical life 1-pole

AC 240 V:	0.1 ... 16 A	30,000 cycles at 1 x I _N , inductive
DC 50 V:	0.1 ... 4 A	30,000 cycles at 1 x I _N , inductive
	4.5 ... 16 A	30,000 cycles at 1 x I _N , resistive
DC 28 V:	0.1 ... 16 A	30,000 cycles at 1 x I _N , inductive

Typical life 2-pole

AC 240 V:	0.1 ... 16 A	50,000 cycles at 1 x I _N , inductive
DC 50 V:	0.1 ... 16 A	50,000 cycles at 1 x I _N , inductive

Ambient temperature	-30 ... 60 °C
Insulation coordination (IEC 60664)	2.5 kV / 2 Reinforced insulation in the operating area

Dielectric strength	
Operating area	Test voltage AC 3000 V
Current path/current path	Test voltage AC 1500 V

Insulation resistance	> 100 MΩ (DC 500 V)
-----------------------	---------------------

Rupture capacity I_{cn} (IEC/EN 60934)

	I _N	U _N	I _{cn}
1-pole, 2-pole	0.1 ... 2 A	AC 240 V / DC 28 V	100 x I _N
1-pole	0.1 ... 10 A	DC 50 V	50 A
1-pole	2.5 ... 16 A	AC 240 V / DC 28 V	200 A
2-pole	0.1 ... 2 A	DC 50 V	10 x I _N
2-pole	2.5 ... 16 A	DC 50 V	250 A
2-pole	2.5 ... 16 A	AC 240 V / DC 28 V	300 A

Interrupting capacity I_{nc} (UL 1077)

	I _N	U _N	I _{nc}
1-pole, 2-pole	0.1 ... 10 A	AC 250 V	2,000 A, C, 1
1-pole, 2-pole	0.1 ... 16 A	AC 125 V	1,000 A, C, 1

Degree of protection (IEC 60529)

Operating area	IP40 With water splash protection IP65
Terminal area	IP00 With water splash protection IP64
Vibration	8 g (57-500 Hz) ± 0.61 mm (10-57 Hz) Test to IEC 60068-2-6, Test Fc 10 frequency cycles/axis
Shock resistance	30 g (11 ms) Test to IEC 60068-2-27, Test Ea
Corrosion	96 hours in 5 % salt mist Test to IEC 60068-2-11, Test Ka
Humidity	240 hours in 95 % RH Test to IEC 60068-2-78, Test Cab
Mass	approx. 53 g (2-pole) approx. 50 g (1-pole)

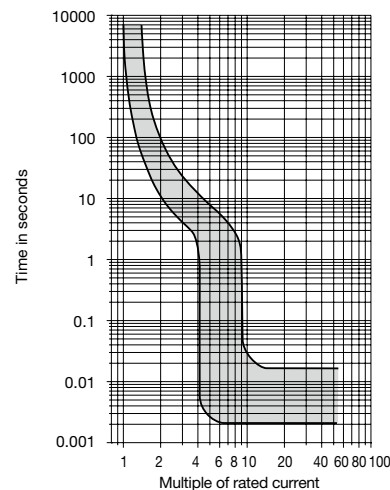
Approvals

Approval authority	Standard	Rated voltage	Current rating range
VDE	IEC/EN 60934	AC 240 V DC 50 V	0.1 ... 16 A 0.1 ... 16 A
UL	UL 1077	AC 250 V AC 125 V	0.1 ... 10 A 0.1 ... 16 A
CSA	C22.2 No 235	AC 250 V AC 125 V	0.1 ... 10 A 0.1 ... 16 A
CQC (CCC)	GB 17701	AC 240 V DC 50 V	0.1 ... 16 A 0.1 ... 16 A

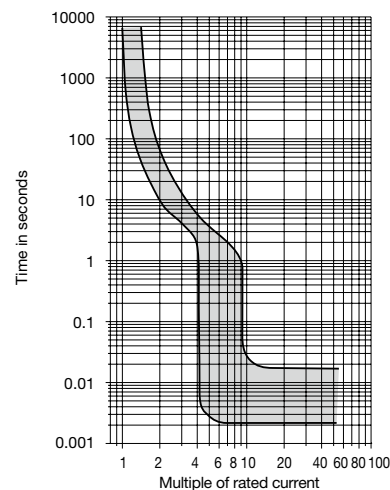
Time/current characteristics

Total switch-off time at rated voltage and 1- or 2-pole load
Ambient temperature 23 °C

0.1...2 A AC/DC ¹⁾



2.5...16 A AC/DC ¹⁾



¹⁾With DC, the magnetic response values are higher by a factor of approx. 1.25.

The time/current characteristics depend on the ambient temperature. In order to eliminate nuisance or late tripping, please multiply the current rating of the circuit breaker by a temperature factor (also refer to chapter Technical Information).

ambient temperature [°C]	-30	-20	-10	0	23	40	50	60
Temperature factor	0.8	0.84	0.88	0.92	1	1.08	1.14	1.23



Ordering information

Type no.
3120 Thermal-magnetic circuit breaker/switch combination with rocker actuation

Mounting method
N3 Snap-in, mounting cut-out 50.5 x 21.5 mm
N5 Snap-in, mounting cut-out 44.5 x 22 mm

Number of poles
1 1-pole switching, 1-pole thermal-magnetically protected
2 2-pole switching, 2-pole protected (pole 1: thermal-magnetically protected, pole 2: thermally protected)
5 2-pole switching, 1-pole thermal-magnetically protected

Style
1 Standard
3 With actuator guard
4 With accordion-style seal, IP65
6 Version with shorter flange (only for mounting method N5)
A With actuator guard and cross-hole

Terminal design
P7 Blade terminals
H7 As P7, terminals 11 and 21 with additional flat head screws M3.5
N7 As P7, with additional shunt terminals 12(i) and 22(i)
G7 As N7, terminals 11 and 21 with additional flat head screws M3.5

Trip curve
M1 Medium delay, thermal 1.01-1.4 x I_N; magnetic 4-9 x I_N AC

Actuator
W Rocker

Rocker colour and illumination
Opaque
01 . Black without illumination
02 . White without illumination
04 . Red without illumination
Translucent(when named with Y/R/T/G the rocker is illuminated)
12 . (Y) White (illuminated)
14 . (R) Red (illuminated)
15 . (Y) Orange (illuminated)
16 . (T) Blue (illuminated)
19 . (G) Green (illuminated)

Marking of rocker
A (not for mounting method 4)

D	F	K	L	X
A	D	F	K	L

3120-N5 2 4 - P7 M1-W 19 D G ... Ordering example

Illumination voltage range
 (= operating voltage)
1 DC 12 V
2 DC 24 V
3 AC 115 V
4 AC 230 V
5 DC 48 V
6 AC 400 V (for 2-pole versions)

Current rating
0.1 ... 16 A

3120-N5 2 4 - P7 M1-W 19 D G 4 - 16 A Ordering example

3120-N5 2 4 - P7 M1-W 19 D G ... Ordering example



1

Ordering information

Type no.	3120 Thermal-magnetic circuit breaker/switch combination with push button actuation
Mounting method	
N3	Snap-in, mounting cut-out 50.5 x 21.5 mm
N5	Snap-in, mounting cut-out 44.5 x 22 mm
Number of poles	
1	1-pole switching, 1-pole thermal-magnetically protected
2	2-pole switching, 2-pole protected (pole 1: thermal-magnetically protected, pole 2: thermally protected)
5	2-pole switching, 1-pole thermal-magnetically protected
Style	
D	With actuator guard
E	With actuator guard and water splash cover IP54
F	With power-on protection
V	With power-on protection and water splash cover IP54
Terminal design	
P7	Blade terminals
H7	As P7, terminals 11 and 21 with additional flat head screws M3.5
N7	As P7, with additional shunt terminals 12(i) and 22(i)
G7	As N7, terminals 11 and 21 with additional flat head screws M3.5
Trip curve	
M1	Medium delay, thermal 1.01-1.4 x I _N ; magnetic 4-9 x I _N AC
Actuator	
S	Two push buttons
Colour of push button/illumination (Style D and F without water splash protection)	
GRD	Green/red without illumination
GRDXG	Green with LED illumination/red without illumination
Colour of push button/illumination (Style E and V with water splash protection)	
GRX	Green/red without illumination
GRDXG	Green with LED illumination/red without illumination
Illumination voltage range (= operating voltage)	
1	DC 12 V
2	DC 24 V
3	AC 115 V
4	AC 230 V
5	DC 48 V
6	AC 400 V (for 2-pole versions)
Current rating	
0.1...16 A	
3120-N3 5 V - P7 M1-S GRXG - 16 A	Ordering example

Please observe our minimum ordering quantities.

Ordering information

Type no.	3120 Thermal magnetic resettable circuit breaker with push button
Mounting method	
N3	Snap-in, mounting cut-out 50.5 x 21.5 mm
N5	Snap-in, mounting cut-out 44.5 x 22 mm
Number of poles	
1	1-pole thermal-magnetically protected
2	2-pole protected (1 1: thermal-magnetically protected, pole 2: thermally protected)
5	2-pole, 1-pole thermal-magnetically protected
Style	
G	Resettable circuit breaker
Terminal design	
P7	Blade terminals
H7	As P7, terminals 11 and 21 with additional flat head screws M3.5
N7	As P7, with additional shunt terminals 12(i) and 22(i)
G7	As N7, terminals 11 and 21 with additional flat head screws M3.5
Trip curve	
M1	Medium delay, thermal- 1.01-1.4 x I _N ; magnetic 4-9 x I _N AC
Actuator	
D	One push button
Colour of push button	
01	Black
Marking of the push button	
X	Without marking
Current rating	
0.1...16 A	
3120-N3 2 G - P7 M1-D 01 - X 16 A	Ordering example

3120-N3 2 G - P7 M1-D 01 - X 16 A Ordering example

Please observe our minimum ordering quantities.

Customer-specific solutions

Looking for a version you cannot find in our order numbering code? Please get in touch.