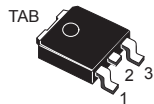
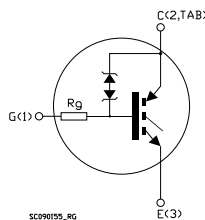


5 A, 1200 V, low drop internally clamped IGBT



DPAK



Features

- Low on-voltage drop ($V_{CE(sat)}$)
- High current capability
- High voltage clamping

Applications

- Low switching frequency applications

Description

This device is low drop internally clamped IGBT developed using advanced PowerMESH technology. This process guarantees an excellent trade-off between switching performance and low on-state behavior.



Product status link

[STGD5NB120SZ](#)

Product summary

Order code	STGD5NB120SZT4
Marking	GD5NB120SZ
Package	DPAK
Packing	Tape and reel

1 Electrical ratings

Table 1. Absolute maximum ratings

Symbol	Parameter	Value	Unit
V_{CES}	Collector-emitter voltage ($V_{GE} = 0\text{ V}$)	1200	V
I_C	Continuous collector current at $T_C = 25\text{ °C}$	10	A
	Continuous collector current at $T_C = 100\text{ °C}$	5	
$I_{CP}^{(1)}$	Pulsed collector current	10	A
$I_{CL}^{(2)}$	Turn-off latching current	10	A
V_{GE}	Gate-emitter voltage	± 20	V
V_{ECR}	Emitter-collector voltage	20	V
P_{TOT}	Total power dissipation at $T_C = 25\text{ °C}$	75	W
T_J	Operating junction temperature range	-55 to 150	°C
T_{stg}	Storage temperature range		

1. Pulse width is limited by maximum junction temperature
2. $V_{CLAMP} = 80\% V_{CES}$, $V_{GE} = 15\text{ V}$, $R_G = 10\ \Omega$, $T_J = 150\text{ °C}$

Table 2. Thermal data

Symbol	Parameter	Value	Unit
R_{thJC}	Thermal resistance, junction-to-case	1.67	°C/W
R_{thJA}	Thermal resistance, junction-to-ambient	100	°C/W

2 Electrical characteristics

$T_C = 25\text{ °C}$ unless otherwise specified

Table 3. Static characteristics

Symbol	Parameter	Test conditions	Min.	Typ.	Max.	Unit
$V_{(BR)CES}$	Collector-emitter breakdown voltage	$V_{GE} = 0\text{ V}$, $I_C = 10\text{ mA}$	1200			V
$V_{CE(sat)}$	Collector-emitter saturation voltage	$V_{GE} = 15\text{ V}$, $I_C = 5\text{ A}$		1.3	2.0	V
		$V_{GE} = 15\text{ V}$, $I_C = 5\text{ A}$, $T_C = 125\text{ °C}$		1.2		
$V_{GE(th)}$	Gate threshold voltage	$V_{CE} = V_{GE}$, $I_C = 250\text{ }\mu\text{A}$	2		5	V
V_{GE}	Gate emitter voltage	$V_{CE} = 2.5\text{ V}$, $I_C = 2\text{ A}$, $T_C = 25\text{ to }125\text{ °C}$			6.5	V
I_{CES}	Collector cut-off current	$V_{GE} = 0\text{ V}$, $V_{CE} = 900\text{ V}$			50	μA
		$V_{GE} = 0\text{ V}$, $V_{CE} = 900\text{ V}$, $T_C = 125\text{ °C}$ ⁽¹⁾			250	μA
I_{GES}	Gate-emitter leakage current	$V_{GE} = \pm 20\text{ V}$, $V_{CE} = 0\text{ V}$			± 100	nA
R_G	Gate resistance			4		k Ω

1. Defined by design, not subject to production test.

Table 4. Dynamic characteristics

Symbol	Parameter	Test conditions	Min.	Typ.	Max.	Unit
C_{ies}	Input capacitance	$V_{CE} = 25\text{ V}$, $f = 1\text{ MHz}$, $V_{GE} = 0\text{ V}$	-	430	-	pF
C_{oes}	Output capacitance		-	40	-	
C_{res}	Reverse transfer capacitance		-	7	-	

Table 5. Switching characteristics (inductive load)

Symbol	Parameter	Test conditions	Min.	Typ.	Max.	Unit
$t_{d(on)}$	Turn-on delay time	$V_{CC} = 960\text{ V}$, $I_C = 5\text{ A}$, $R_G = 1\text{ k}\Omega$, $V_{GE} = 15\text{ V}$ (see Figure 16. Switching waveform)	-	690	-	ns
t_r	Current rise time		-	170	-	
$(di/dt)_{on}$	Turn-on current slope		-	39.6	-	A/ μ s
$t_{d(on)}$	Turn-on delay time	$V_{CC} = 960\text{ V}$, $I_C = 5\text{ A}$, $R_G = 1\text{ k}\Omega$, $V_{GE} = 15\text{ V}$, $T_J = 125\text{ }^\circ\text{C}$ (see Figure 16. Switching waveform)	-	600	-	ns
t_r	Current rise time		-	185	-	
$(di/dt)_{on}$	Turn-on current slope		-	39	-	A/ μ s
t_c	Cross-over time	$V_{CC} = 960\text{ V}$, $I_C = 5\text{ A}$, $R_G = 1\text{ k}\Omega$, $V_{GE} = 15\text{ V}$ (see Figure 16. Switching waveform)	-	4	-	μ s
$t_r(V_{off})$	Off voltage rise time		-	2.2	-	
$t_d(off)$	Turn-off delay time		-	12.1	-	
t_f	Current fall time		-	1.13	-	
t_c	Cross-over time		-	5	-	
$t_r(V_{off})$	Off voltage rise time	$V_{CC} = 960\text{ V}$, $I_C = 5\text{ A}$, $R_G = 1\text{ k}\Omega$, $V_{GE} = 15\text{ V}$, $T_J = 125\text{ }^\circ\text{C}$ (see Figure 16. Switching waveform)	-	2.2	-	μ s
$t_d(off)$	Turn-off delay time		-	12.1	-	
t_f	Current fall time		-	2	-	

Table 6. Switching energy (inductive load)

Symbol	Parameter	Test conditions	Min.	Typ.	Max.	Unit
$E_{on}^{(1)}$	Turn-on switching energy	$V_{CC} = 960\text{ V}$, $I_C = 5\text{ A}$, $R_G = 1\text{ k}\Omega$, $V_{GE} = 15\text{ V}$ (see Figure 16. Switching waveform)	-	2.59	-	mJ
$E_{off}^{(2)}$	Turn-off switching energy		-	9	-	
E_{ts}	Total switching energy		-	11.59	-	
$E_{on}^{(1)}$	Turn-on switching energy	$V_{CC} = 960\text{ V}$, $I_C = 5\text{ A}$, $R_G = 1\text{ k}\Omega$, $V_{GE} = 15\text{ V}$, $T_J = 125\text{ }^\circ\text{C}$ (see Figure 16. Switching waveform)	-	2.64	-	mJ
$E_{off}^{(2)}$	Turn-off switching energy		-	10.2	-	
E_{ts}	Total switching energy		-	12.68	-	

1. Including the reverse recovery of the diode.
2. Including the tail of the collector current.

2.1 Electrical characteristics (curves)

Figure 1. Output characteristics

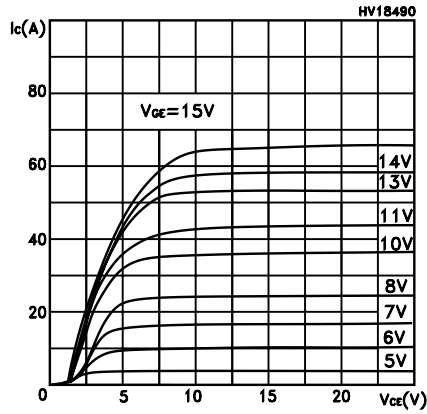


Figure 2. Transfer characteristics

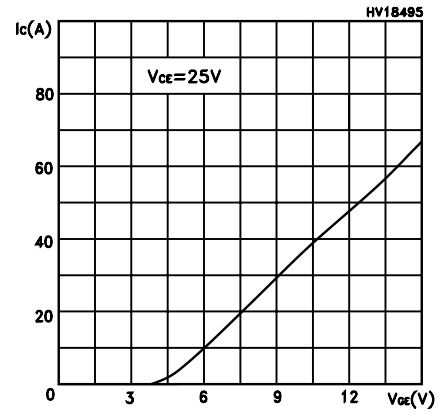


Figure 3. Collector-emitter on voltage vs temperature

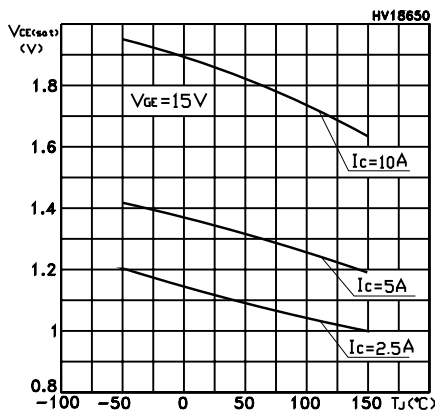


Figure 4. Gate charge vs gate-source voltage

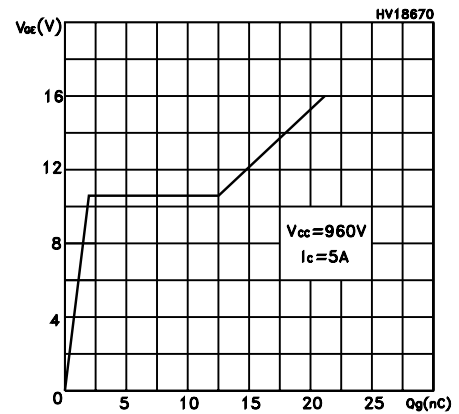


Figure 5. Capacitance variations

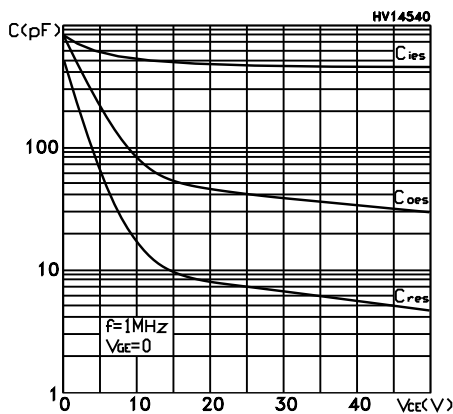


Figure 6. Normalized gate threshold voltage vs temperature

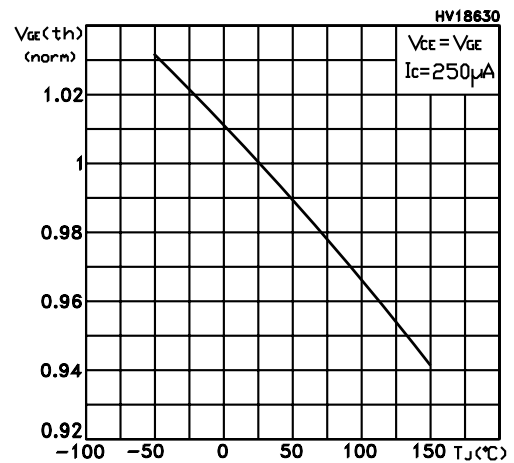


Figure 7. Collector-emitter on voltage vs collector current

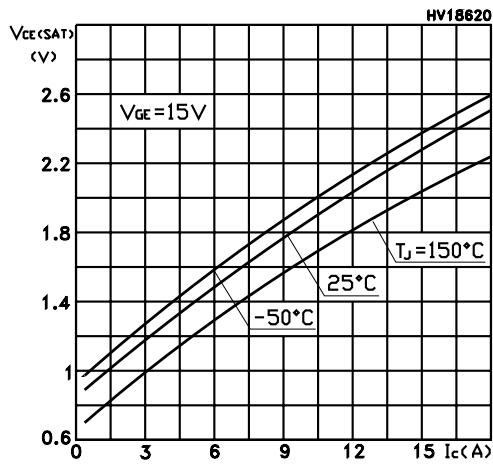


Figure 8. Breakdown voltage vs temperature

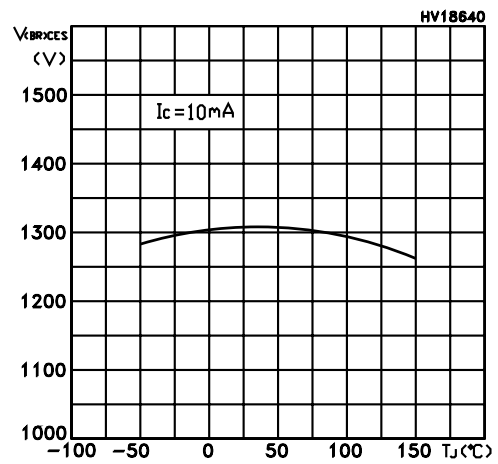


Figure 9. Normalized collector-emitter on voltage vs temperature

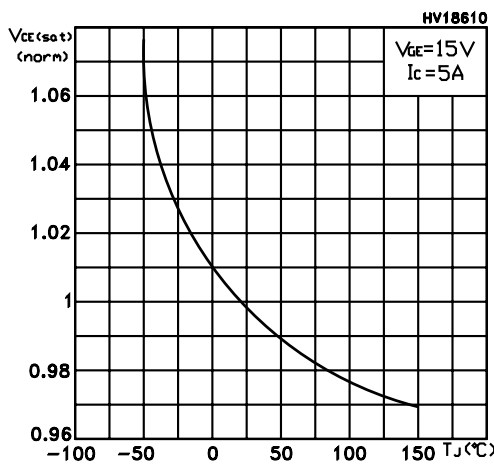


Figure 10. Switching energy vs gate resistance

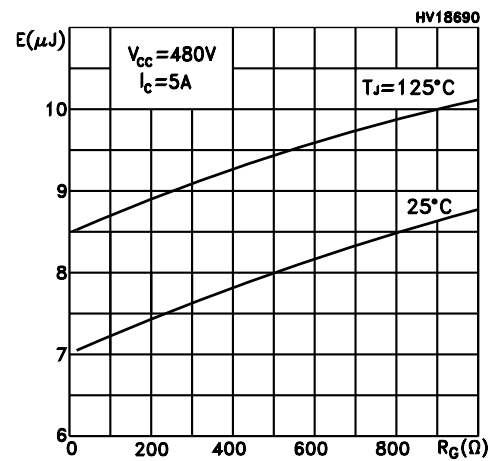


Figure 11. Switching energy vs collector current

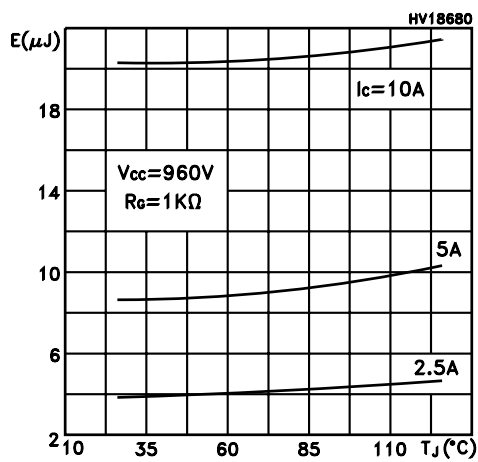


Figure 12. Turn-off SOA

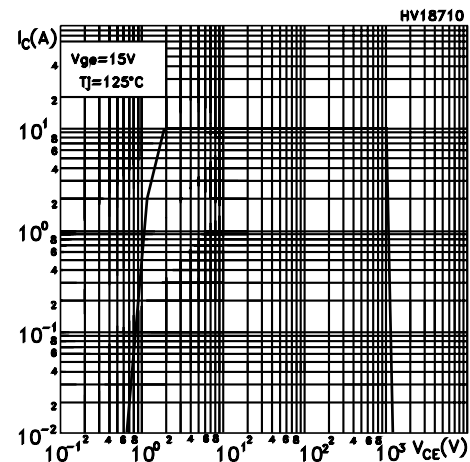
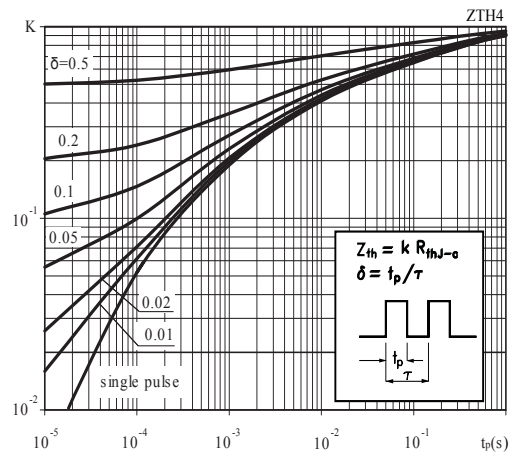


Figure 13. Thermal impedance

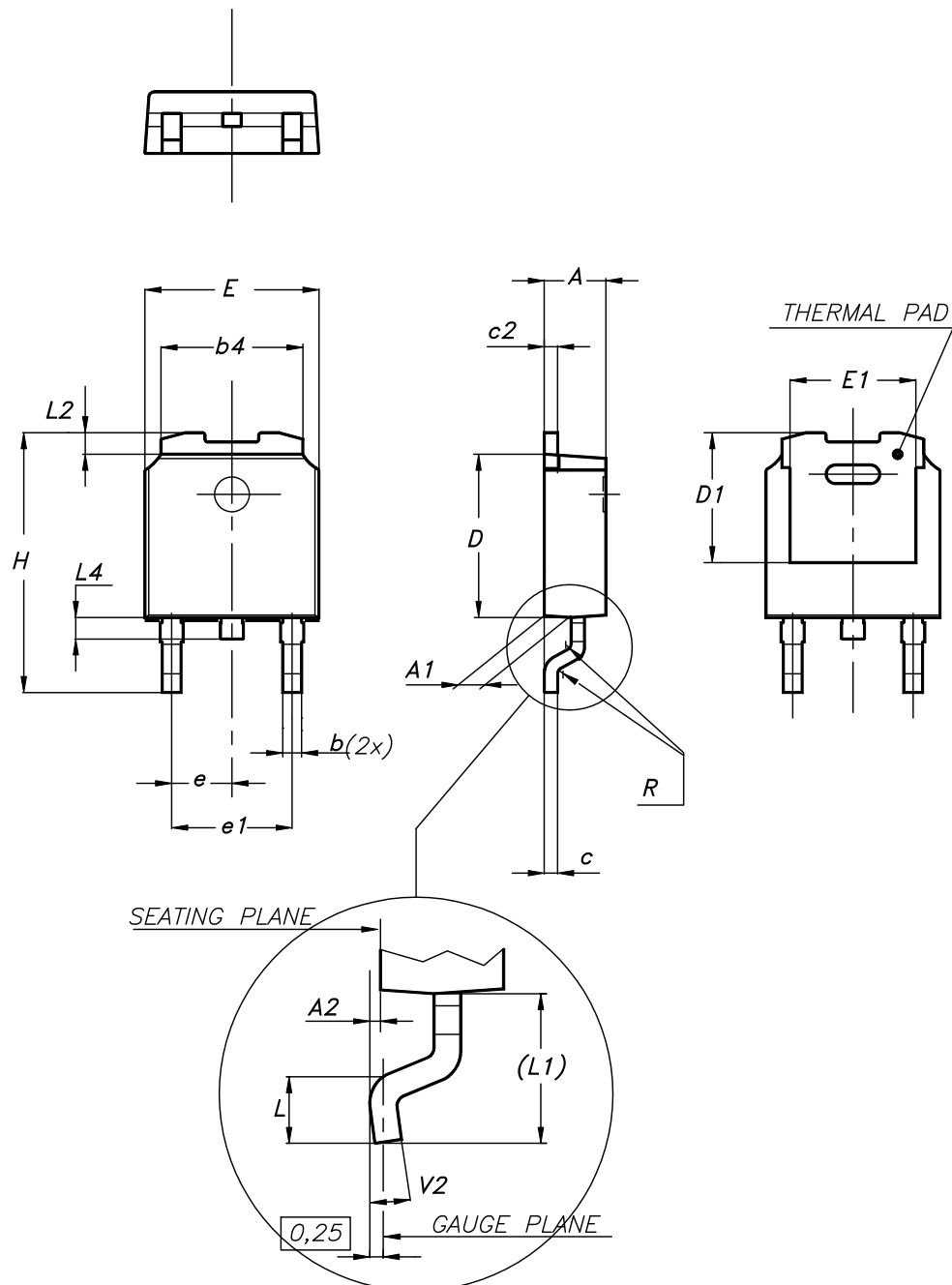


4 Package information

In order to meet environmental requirements, ST offers these devices in different grades of **ECOPACK** packages, depending on their level of environmental compliance. ECOPACK specifications, grade definitions and product status are available at: www.st.com. ECOPACK is an ST trademark.

4.1 DPAK (TO-252) type A2 package information

Figure 17. DPAK (TO-252) type A2 package outline



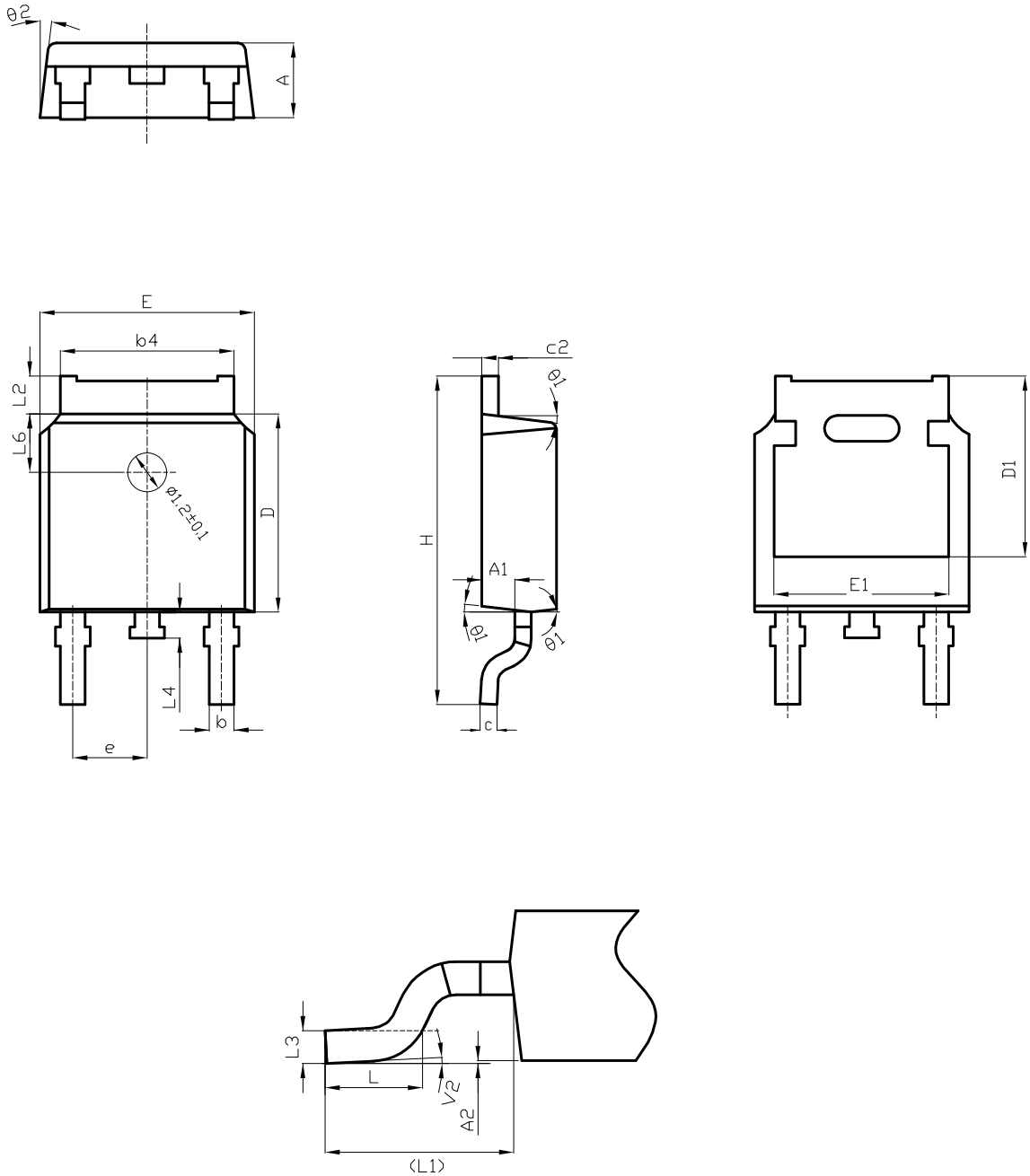
0068772_type-A2_rev30

Table 7. DPAK (TO-252) type A2 mechanical data

Dim.	mm		
	Min.	Typ.	Max.
A	2.20		2.40
A1	0.90		1.10
A2	0.03		0.23
b	0.64		0.90
b4	5.20		5.40
c	0.45		0.60
c2	0.48		0.60
D	6.00		6.20
D1	4.95	5.10	5.25
E	6.40		6.60
E1	5.10	5.20	5.30
e	2.159	2.286	2.413
e1	4.445	4.572	4.699
H	9.35		10.10
L	1.00		1.50
L1	2.60	2.80	3.00
L2	0.65	0.80	0.95
L4	0.60		1.00
R		0.20	
V2	0°		8°

4.2 DPAK (TO-252) type C2 package information

Figure 18. DPAK (TO-252) type C2 package outline

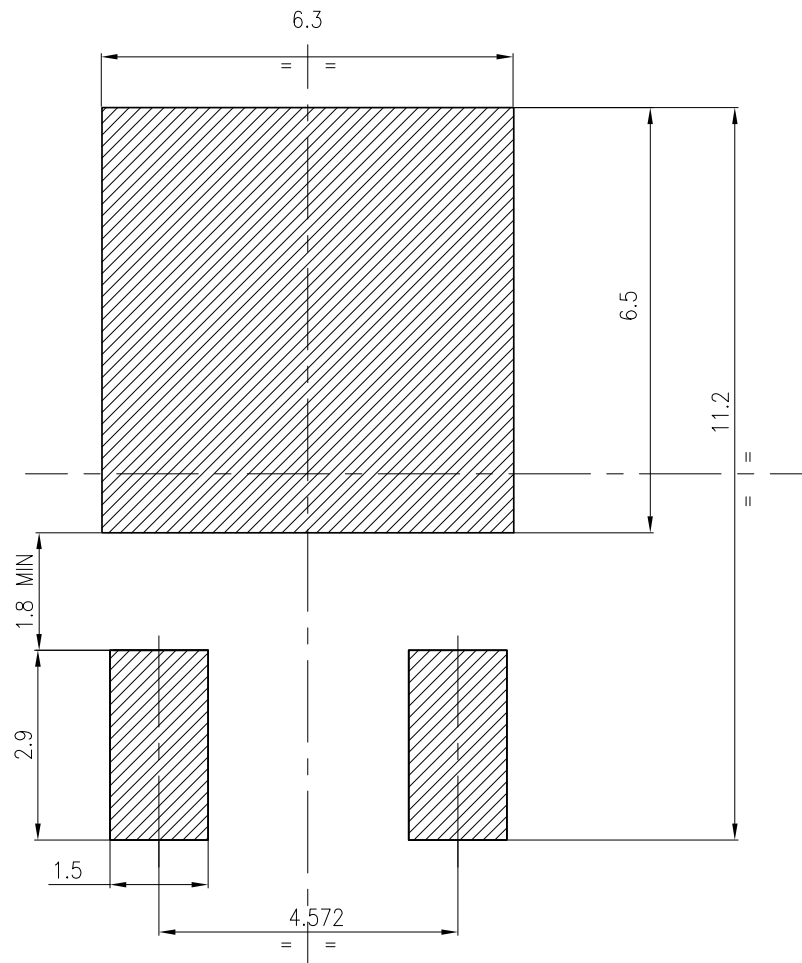


0068772_type-C2_rev30

Table 8. DPAK (TO-252) type C2 mechanical data

Dim.	mm		
	Min.	Typ.	Max.
A	2.20	2.30	2.38
A1	0.90	1.01	1.10
A2	0.00		0.10
b	0.72		0.85
b4	5.13	5.33	5.46
c	0.47		0.60
c2	0.47		0.60
D	6.00	6.10	6.20
D1	5.10		5.60
E	6.50	6.60	6.70
E1	5.20		5.50
e	2.186	2.286	2.386
H	9.80	10.10	10.40
L	1.40	1.50	1.70
L1	2.90 REF		
L2	0.90		1.25
L3	0.51 BSC		
L4	0.60	0.80	1.00
L6	1.80 BSC		
θ1	5°	7°	9°
θ2	5°	7°	9°
V2	0°		8°

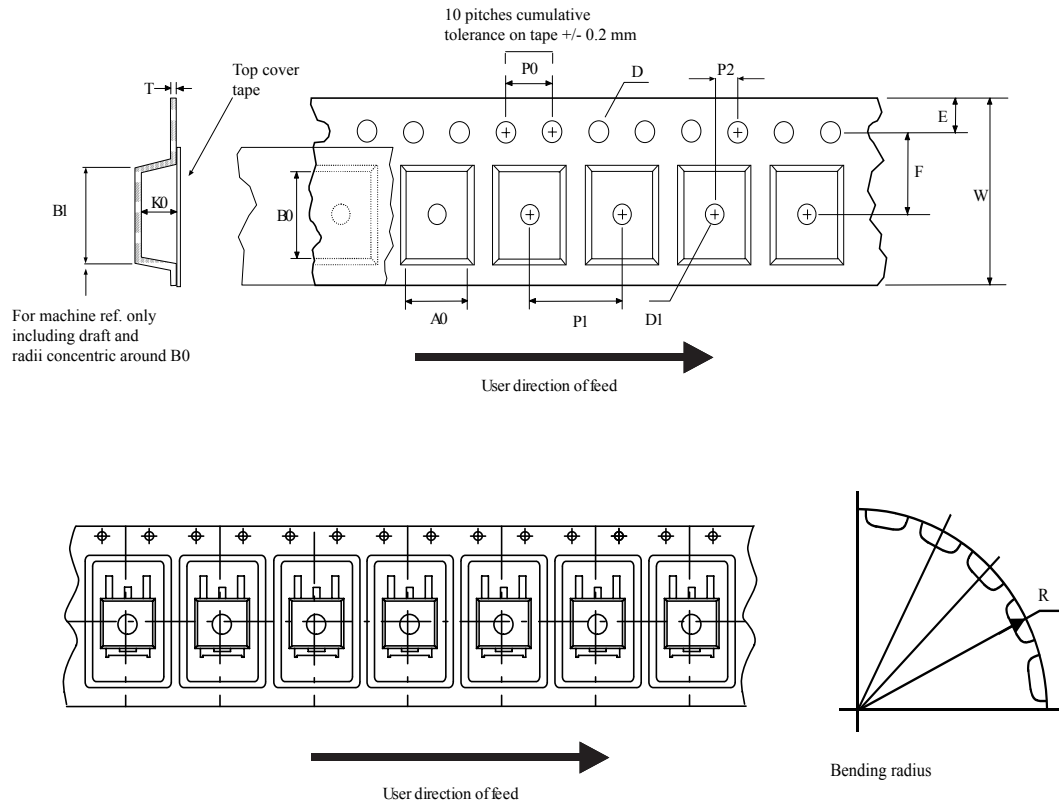
Figure 19. DPAK (TO-252) recommended footprint (dimensions are in mm)



FP_0068772_30

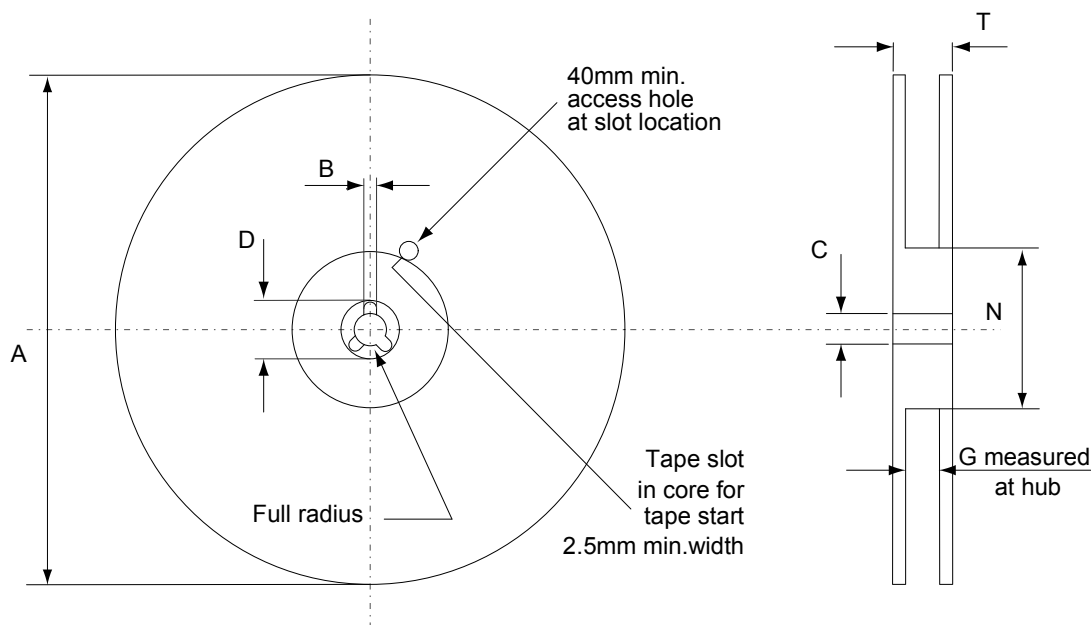
4.3 DPAK (TO-252) packing information

Figure 20. DPAK (TO-252) tape outline



AM08852v1

Figure 21. DPAK (TO-252) reel outline



AM06038v1

Table 9. DPAK (TO-252) tape and reel mechanical data

Tape			Reel		
Dim.	mm		Dim.	mm	
	Min.	Max.		Min.	Max.
A0	6.8	7	A		330
B0	10.4	10.6	B	1.5	
B1		12.1	C	12.8	13.2
D	1.5	1.6	D	20.2	
D1	1.5		G	16.4	18.4
E	1.65	1.85	N	50	
F	7.4	7.6	T		22.4
K0	2.55	2.75			
P0	3.9	4.1	Base qty.		2500
P1	7.9	8.1	Bulk qty.		2500
P2	1.9	2.1			
R	40				
T	0.25	0.35			
W	15.7	16.3			

Revision history

Table 10. Document revision history

Date	Revision	Changes
06-Oct-2003	5	No history because migration
18-Jan-2005	6	Final datasheet
13-Nov-2008	7	Insert new value in <i>Table 2: Absolute maximum ratings</i>
08-Jan-2019	8	The document status is production data. Updated <i>Section 4 Package information</i> . Minor text changes.
15-Jun-2021	9	Removed IPAK package and document updated accordingly. Modified applications section on cover page. Modified <i>Table 1. Absolute maximum ratings</i> . Removed <i>Table 7: Functional test</i> . Minor text changes.

Contents

1	Electrical ratings	2
2	Electrical characteristics	3
2.1	Electrical characteristics (curves)	5
3	Test circuits	8
4	Package information	9
4.1	DPAK (TO-252) type A2 package information	9
4.2	DPAK (TO-252) type C2 package information	11
4.3	DPAK (TO-252) packing information	14
	Revision history	16

IMPORTANT NOTICE – PLEASE READ CAREFULLY

STMicroelectronics NV and its subsidiaries (“ST”) reserve the right to make changes, corrections, enhancements, modifications, and improvements to ST products and/or to this document at any time without notice. Purchasers should obtain the latest relevant information on ST products before placing orders. ST products are sold pursuant to ST’s terms and conditions of sale in place at the time of order acknowledgement.

Purchasers are solely responsible for the choice, selection, and use of ST products and ST assumes no liability for application assistance or the design of Purchasers’ products.

No license, express or implied, to any intellectual property right is granted by ST herein.

Resale of ST products with provisions different from the information set forth herein shall void any warranty granted by ST for such product.

ST and the ST logo are trademarks of ST. For additional information about ST trademarks, please refer to www.st.com/trademarks. All other product or service names are the property of their respective owners.

Information in this document supersedes and replaces information previously supplied in any prior versions of this document.

© 2021 STMicroelectronics – All rights reserved