

FIG A

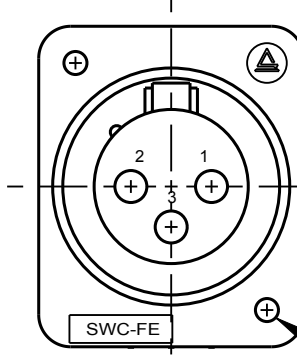


FIG B

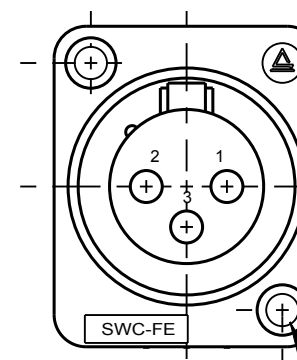


FIG J

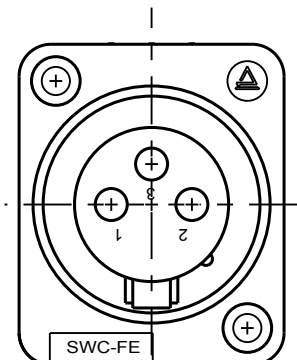


FIG C

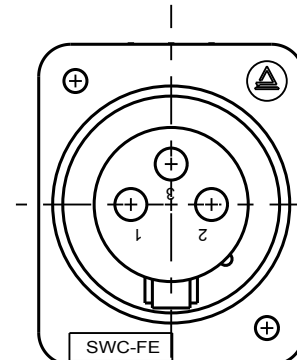


FIG D

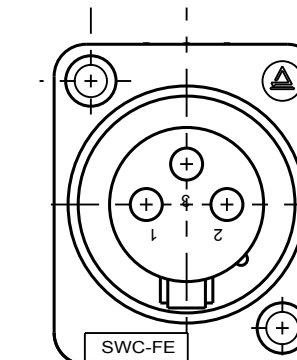


FIG K

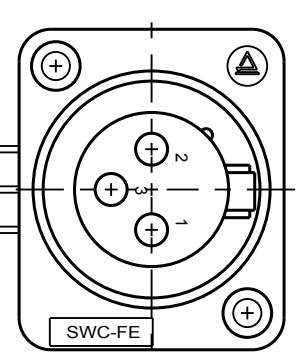


FIG E

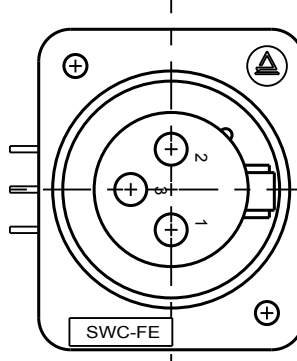


FIG F

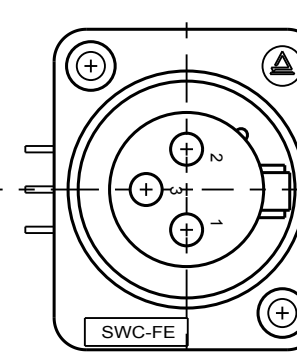


FIG L

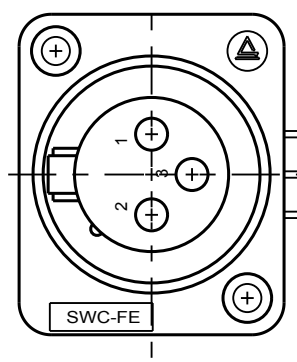


FIG G

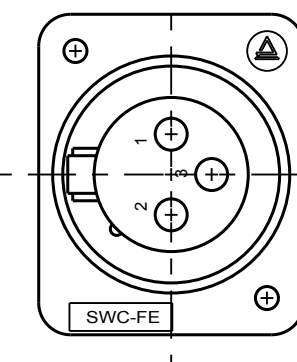


FIG H

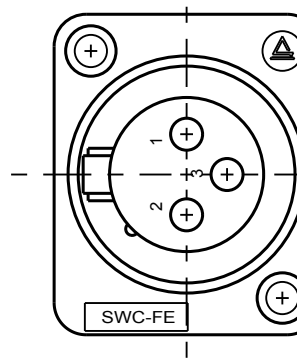
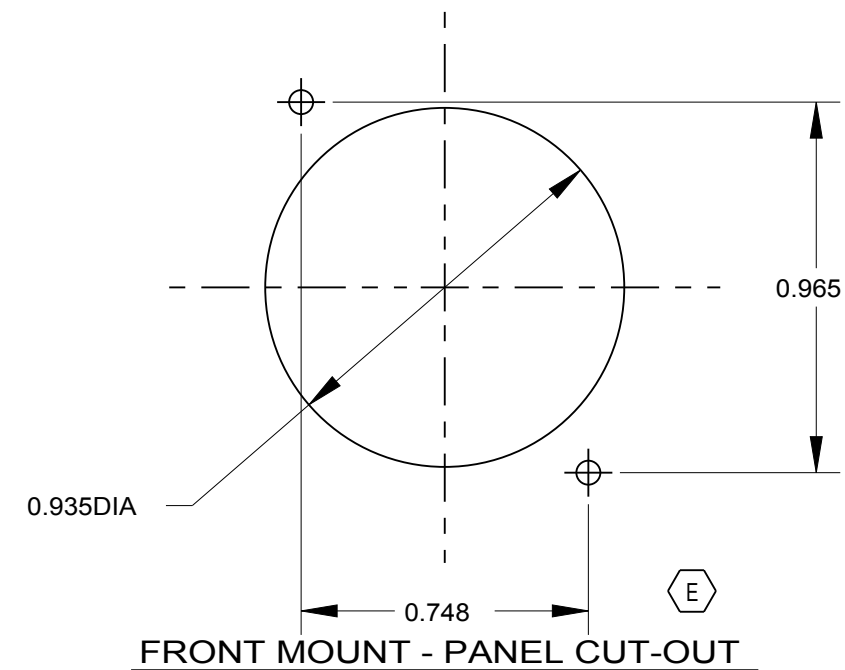
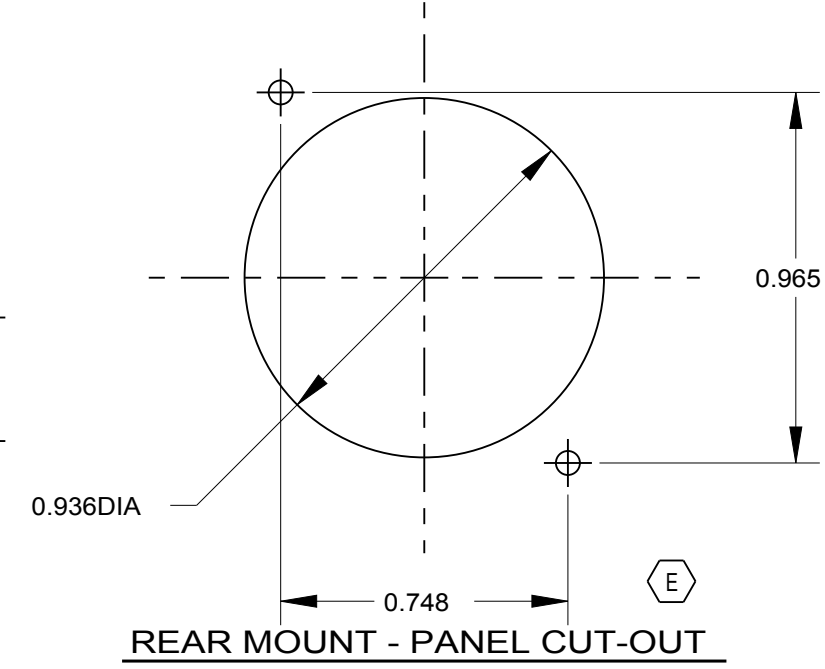


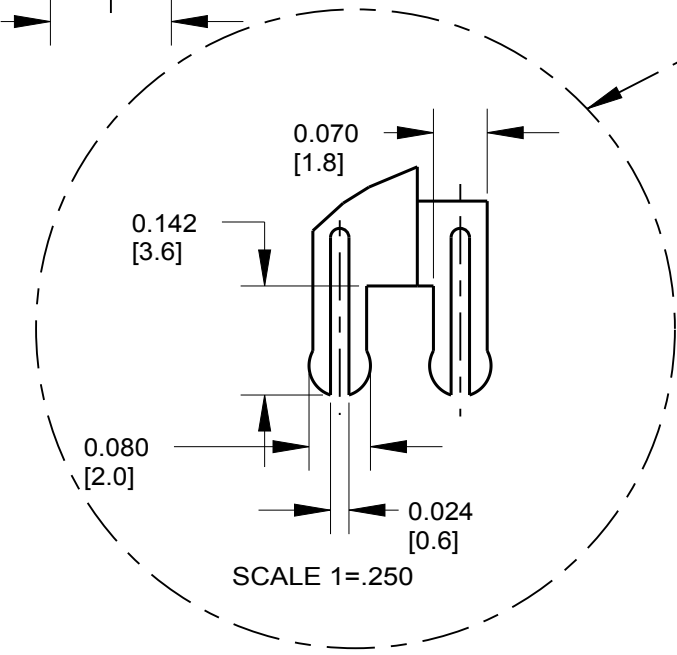
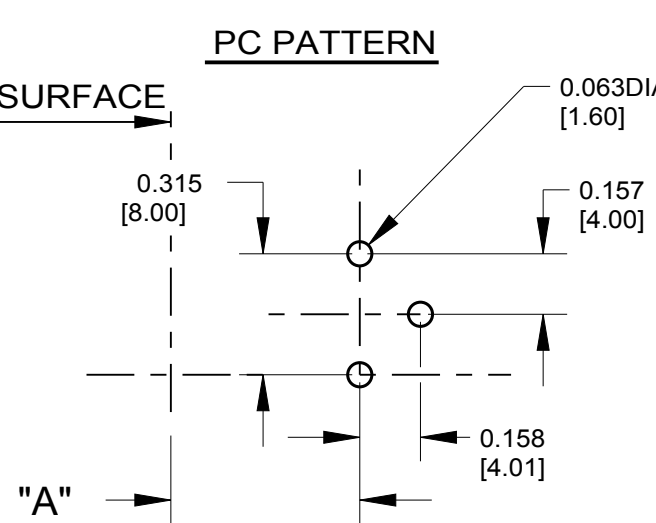
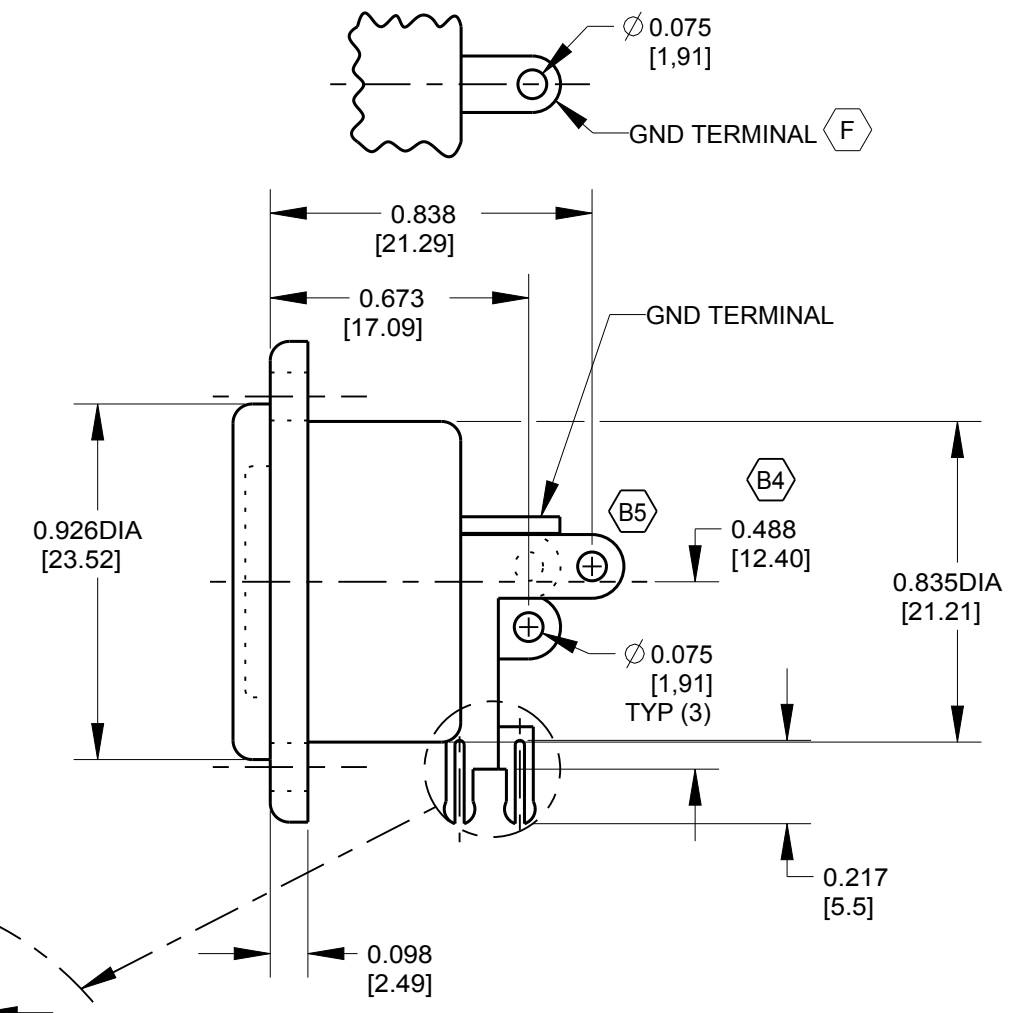
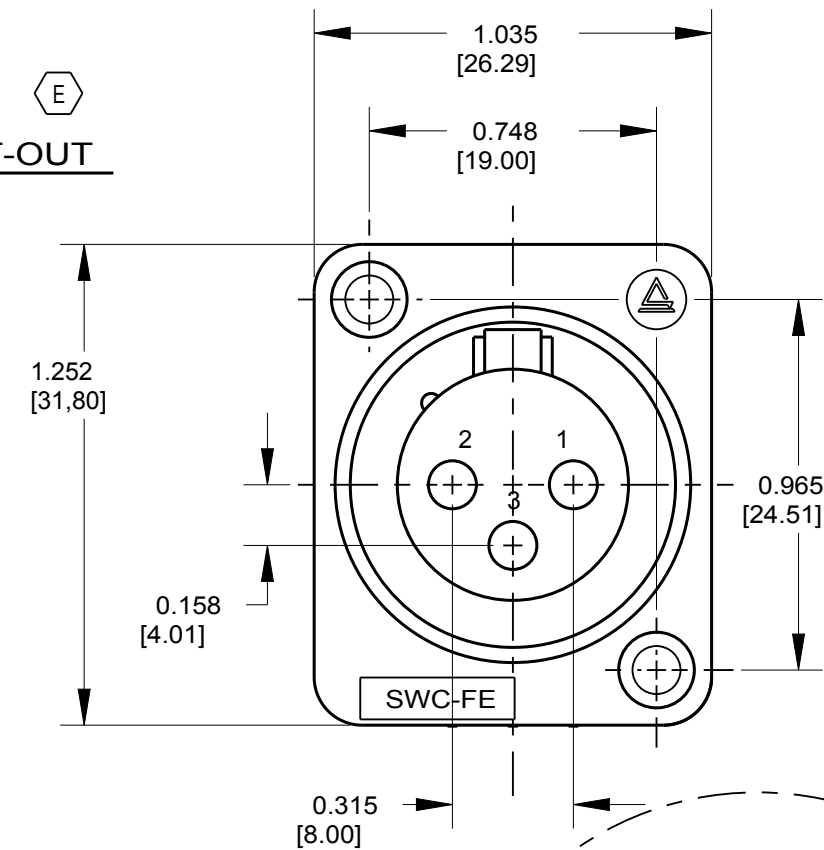
FIG M



FRONT MOUNT - PANEL CUT-OUT



REAR MOUNT - PANEL CUT-OUT



DIMENSIONS TYP FOR ALL FIGURES

MATERIALS:
 HOUSING: NYLON TYPE 66
 FEMALE PINS: BRASS, TIN PLATED
 GROUND LUG: STEEL, TIN PLATED

CUSTOMER DRAWING

CHART			
PART NUMBER	DESCRIPTION	FIGURE	DIMENSION "A"
PD3FRA1	FRONT MOUNT BOTTOM EXIT	FIGURE A	0.394
PD3FRA2	REAR MOUNT BOTTOM EXIT	FIGURE B	0.492
PD3FRA3	FRONT MOUNT BOTTOM EXIT	FIGURE J	0.394
PD3FRU1	FRONT MOUNT TOP EXIT	FIGURE C	0.394
PD3FRU2	REAR MOUNT TOP EXIT	FIGURE D	0.492
PD3FRU3	FRONT MOUNT TOP EXIT	FIGURE K	0.394
PD3FRL1	FRONT MOUNT LEFT EXIT	FIGURE E	0.394
PD3FRL2	REAR MOUNT LEFT EXIT	FIGURE F	0.492
PD3FRL3	FRONT MOUNT LEFT EXIT	FIGURE L	0.394
PD3FRR1	FRONT MOUNT RIGHT EXIT	FIGURE G	0.394
PD3FRR2	REAR MOUNT RIGHT EXIT	FIGURE H	0.492
PD3FRR3	FRONT MOUNT RIGHT EXIT	FIGURE M	0.394

SCALE: 1=0.750

ECO#27992		1-24-18	PC	TJK	STAR SYMBOL DENOTES CRITICAL DIMENSION. SEE S/C ENGINEERING STANDARD ES-001	THIS DRAWING DESCRIBES A DESIGN CONSIDERED PROPRIETARY IN NATURE, DEVELOPED AND MANUFACTURED BY SWITCHCRAFT INC. AND IS RELEASED ON A CONFIDENTIAL BASIS FOR IDENTIFICATION PURPOSE ONLY.				
UNLESS OTHERWISE SPECIFIED					SIZE	WIDTH	MULT	LBS./M	TEMPER	
1. ALL DIMENSIONS IN INCHES TWO PLACE DECIMAL THREE PLACE DECIMAL FRACTIONAL DIMENSIONS ANGLES 2° 3' ALL DIA'S CONCENTRIC WITH 0.005 T.I.R.					FINISH		MATERIAL			
2. REMOVE ALL BURRS					SPEC. NO.		SPEC. NO.			
3. MAKE NO DIMENSIONAL ALLOWANCES FOR APPLIED FINISHES (E.G. PLATING, PAINTING, ETC.)					FIRST USED ON		SCALE 1 = 0.5			
4. HOLES ON CENTERLINE MUST BE ALIGNED WITH ±.002					DATE DRAWN	BY	CHKD	APPD	Switchcraft®	
DO NOT SCALE DRAWING					2-15-91	LR	THS 2-25-91	GHJ 2-25-91		
REVISIONS					NAME				PART NO.	ISSUE
					FEMALE 3 CONTACTS RIGHT Q.G. CONNENCTOR				PD3FR SERIES	F

