

4

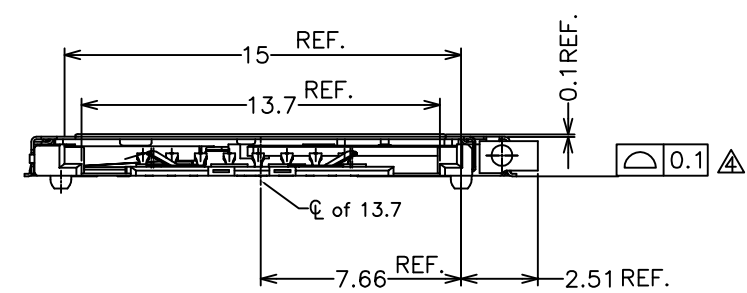
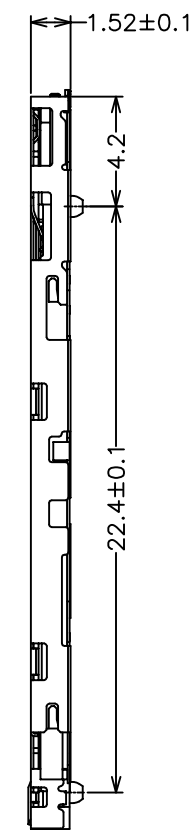
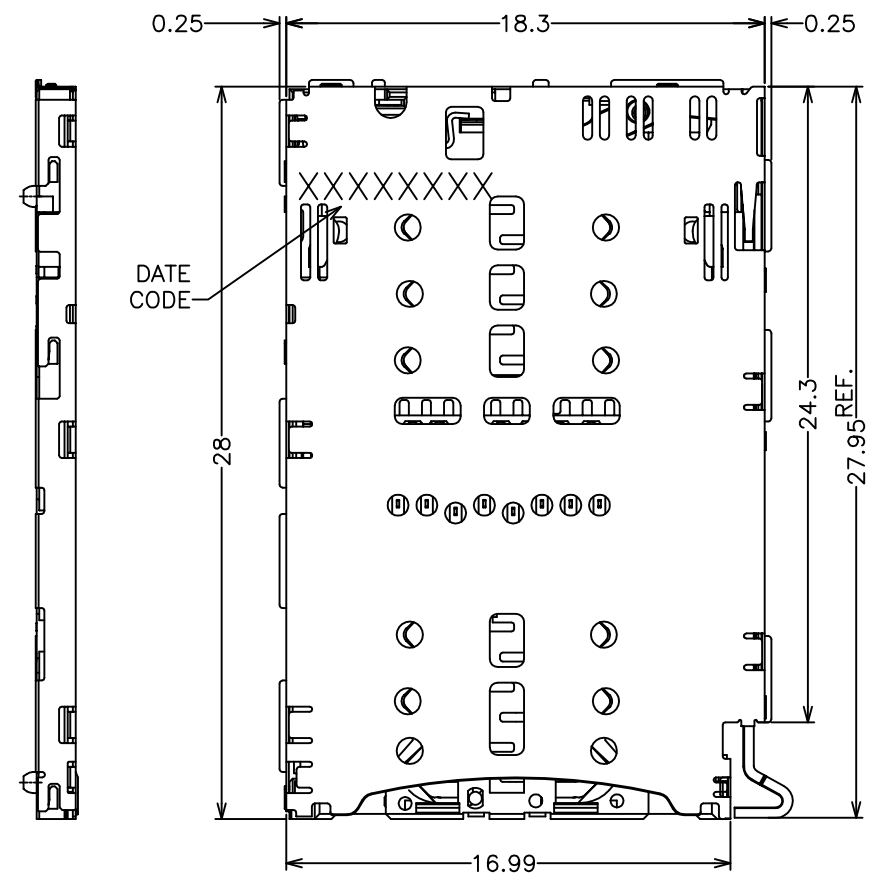
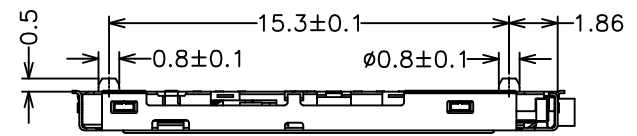
3

2

1

THIS DRAWING IS UNPUBLISHED. RELEASED FOR PUBLICATION
 © COPYRIGHT - By - ALL RIGHTS RESERVED. TODOS LOS DERECHOS RESERVADOS.

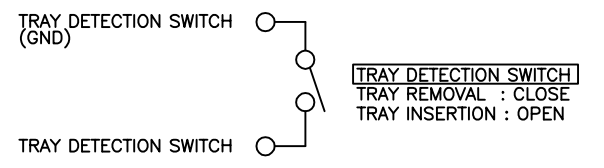
LOC	DIST	REVISIONS			DATE	DWN	APVD
J	-	P	LTR	DESCRIPTION			
		A	RELEASED	GC	31AUG2017	R.Z	S.L



- 1 MATERIAL:
 HOUSING: HIGH TEMPERATURE THERMAL PLASTIC UL94V-0
 CONTACT : COPPER ALLOY
 SWITCH CONTACT : COPPER ALLOY
 SHELL : STAINLESS STEEL
 LATCH : STAINLESS STEEL
 LATCH MOLD : HIGH TEMPERATURE THERMAL PLASTIC UL94V-0
 SLIDER : STAINLESS STEEL
 CAM : STAINLESS STEEL

- △ FINISH:
 CONTACT : Ni UNDER PLATING
 SOLDERING AREA : Au PLATING
 CONTACT AREA : Au PLATING
 SWITCH CONTACT : Ni UNDER PLATING
 SOLDERING AREA : Au PLATING
 CONTACT AREA : Au PLATING
 SHELL : Ni UNDER PLATING
 SOLDERING AREA : Au PLATING

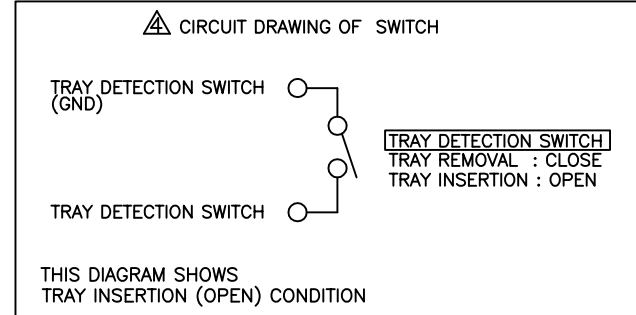
- △ CAM, SLIDER MOVING AREA.
- △ COPLANARITY: 0.10MAX.
- △ CIRCUIT DRAWING OF SWITCH.



THIS DIAGRAM SHOWS TRAY INSERTION (OPEN) CONDITION

- △ REFERENTIAL STENCIL DESIGN.
 THICKNESS:0.1mm
 OPENING RATIO: REFER TO SHEET 2
 150%(BOTH SIDE GND PADS)
 100%(OTHER PADS)

THIS PRINT IS PRELIMINARY
 UNQUALIFIED PRODUCT CONTACT PRODUCT ENGINEERING BEFORE USING THIS PRINT



THIS DIAGRAM SHOWS TRAY INSERTION (OPEN) CONDITION

△	2295782-1
FINISH	PART NUMBER

THIS DRAWING IS A CONTROLLED DOCUMENT.		DWN	8SEP2015	STE		TE Connectivity	
		CHK	8SEP2015				
		APVD	8SEP2015	NAME			
		PRODUCT SPEC		COREL WANG			
		APPLICATION SPEC				PIN PUSH TRAY TYPE CONNECTOR 3 IN 2 FOR 4FF AND MCIRO SD CARD	
DIMENSIONS: mm		TOLERANCES UNLESS OTHERWISE SPECIFIED:		SIZE	CAGE CODE	DRAWING NO	RESTRICTED TO
0 PLC		± 0.15		A2	00779	C=2295782	-
1 PLC		± 0.1					
2 PLC		± 0.1					
3 PLC		± 0.1					
4 PLC		± -					
ANGLES		± -					
MATERIAL		FINISH		WEIGHT			
△		△		0			
				RESTRICTED CUSTOMER		SCALE	5:1
						SHEET	1 of 4
						REV	A

- 1:AS SHOWN

2295782

B

A

4

3

2

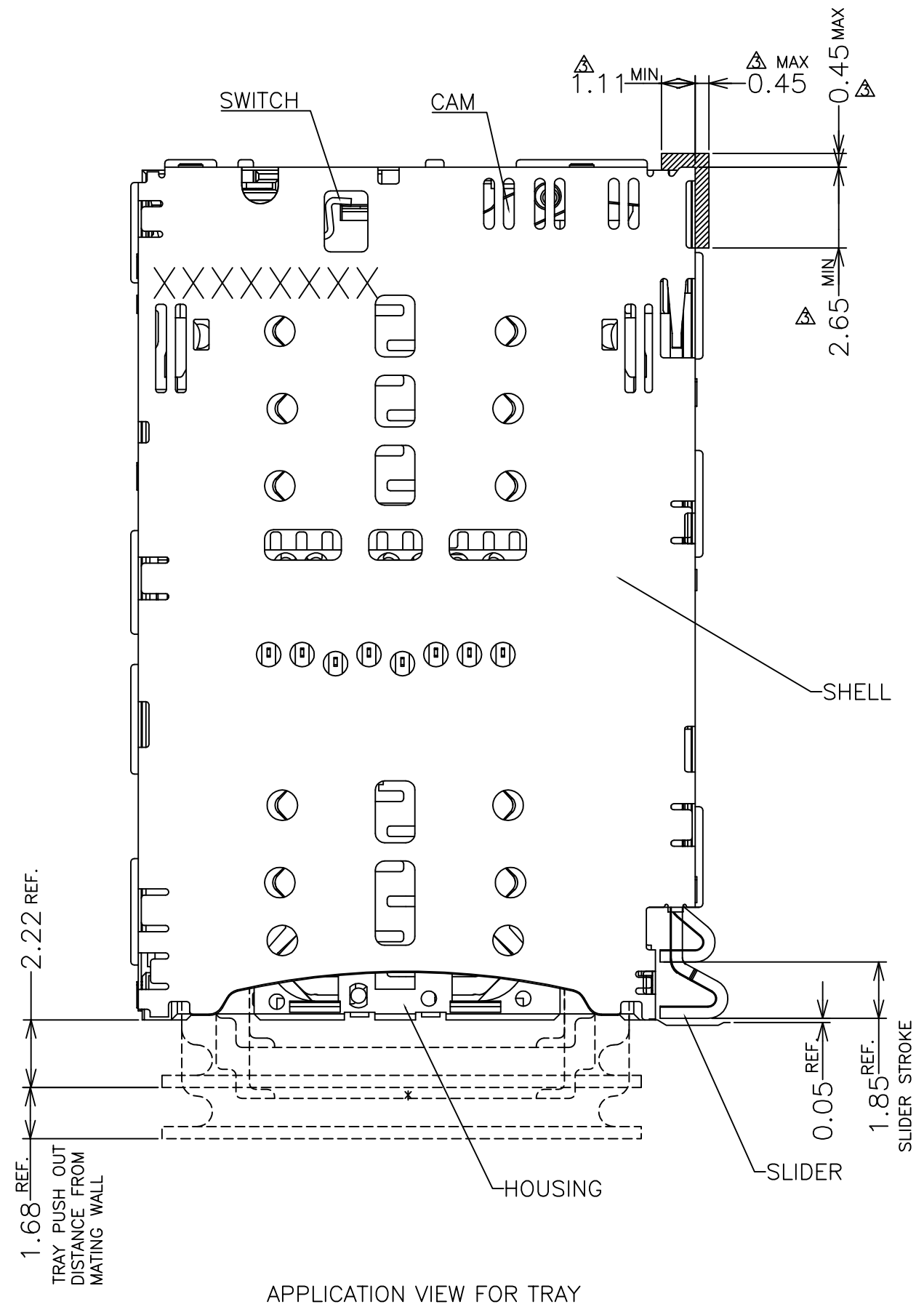
1

THIS DRAWING IS UNPUBLISHED. RELEASED FOR PUBLICATION
 © COPYRIGHT - By - ALL RIGHTS RESERVED. TODOS LOS DERECHOS RESERVADOS.

LOC	DIST	REVISIONS			DATE	DWN	APVD
J	-	P	LTR	DESCRIPTION			
		-	-	SEE SHEET 1	-	-	-

D
C
B
A

D
C
B
A



APPLICATION VIEW FOR TRAY

THIS DRAWING IS A CONTROLLED DOCUMENT.		DWN	STE TE Connectivity
DIMENSIONS: mm		CHK	
TOLERANCES UNLESS OTHERWISE SPECIFIED		APVD	NAME
0 PLC ±		PRODUCT SPEC	PIN PUSH TRAY TYPE CONNECTOR
1 PLC ±		APPLICATION SPEC	3 IN 2 FOR 4FF AND MICRO SD CARD
2 PLC ±		WEIGHT	SIZE CAGE CODE DRAWING NO RESTRICTED TO
3 PLC ±		RESTRICTED CUSTOMER	A2 00779 C-2295782
4 PLC ±		SCALE 8:1	SHEET 3 of 4
ANGLES ±		REV A	
FINISH ±			

4

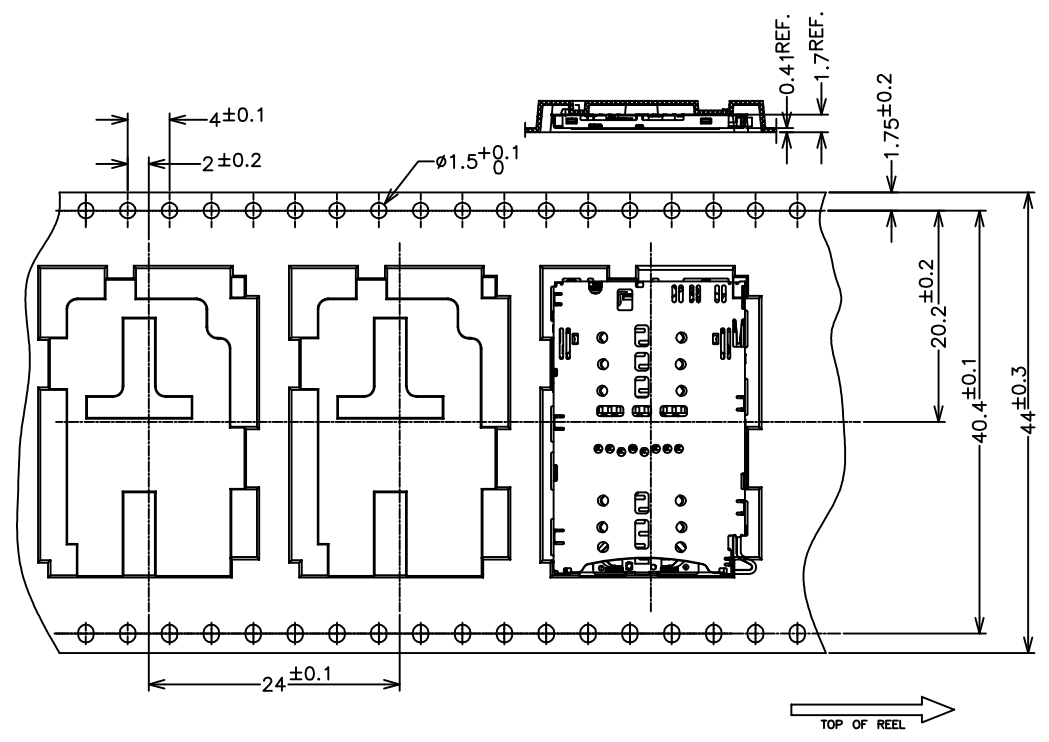
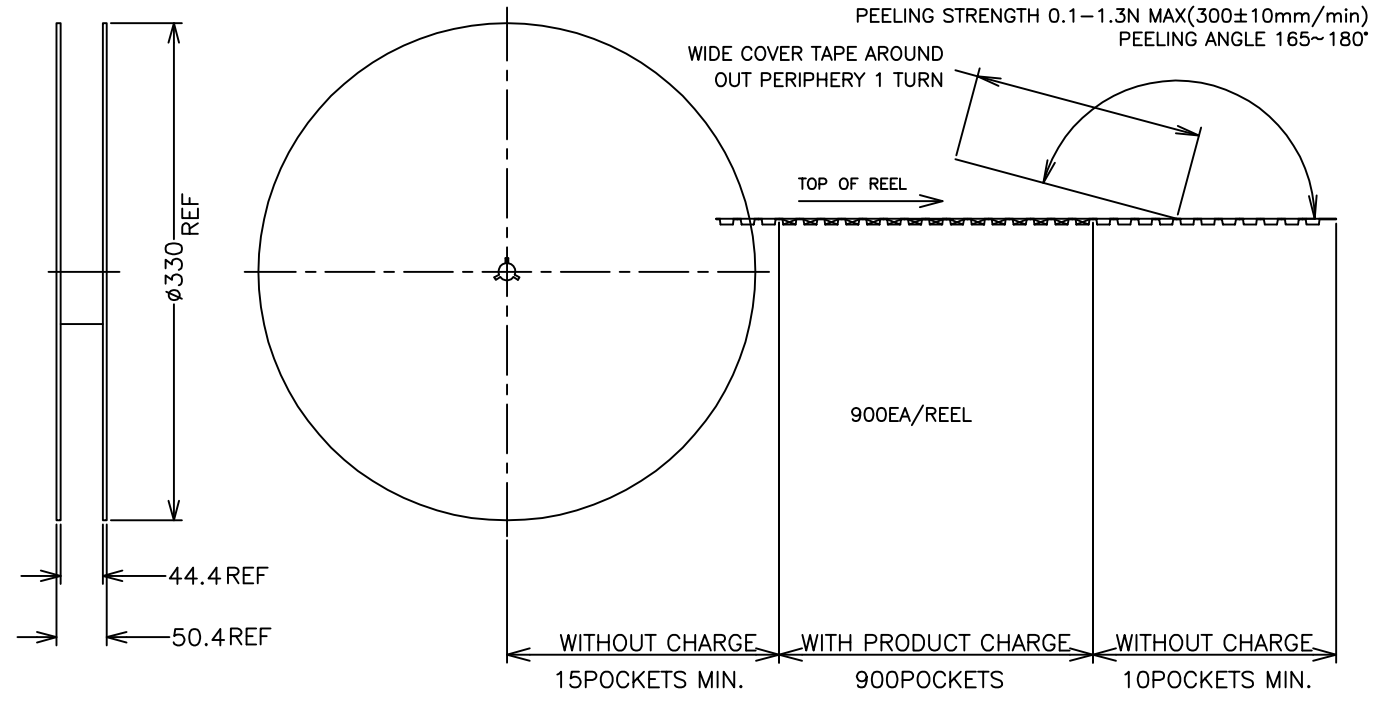
3

2

1

THIS DRAWING IS UNPUBLISHED. RELEASED FOR PUBLICATION
 © COPYRIGHT - By - ALL RIGHTS RESERVED. TODOS LOS DERECHOS RESERVADOS.

LOC	DIST	REVISIONS			DATE	DWN	APVD
J	-	P	LTR	DESCRIPTION			
		-		SEE SHEET 1	-	-	-



THIS DRAWING IS A CONTROLLED DOCUMENT.		DWN	STE TE Connectivity	
DIMENSIONS: mm		CHK		
TOLERANCES UNLESS OTHERWISE SPECIFIED:		APVD	NAME	
0 PLC	±	PRODUCT SPEC	PIN PUSH TRAY TYPE CONNECTOR	
1 PLC	±	APPLICATION SPEC	3 IN 2 FOR 4FF AND MICRO SD CARD	
2 PLC	±	WEIGHT	SIZE	CAGE CODE
3 PLC	±	RESTRICTED CUSTOMER	A2	00779
4 PLC	±	SCALE	DRAWING NO	RESTRICTED TO
ANGLES	± -	SHEET	C-2295782	4 of 4
FINISH		REV		A

2295782