



**Mallory Sonalert Products, Inc.**

Part #: **SBT12MMCP**

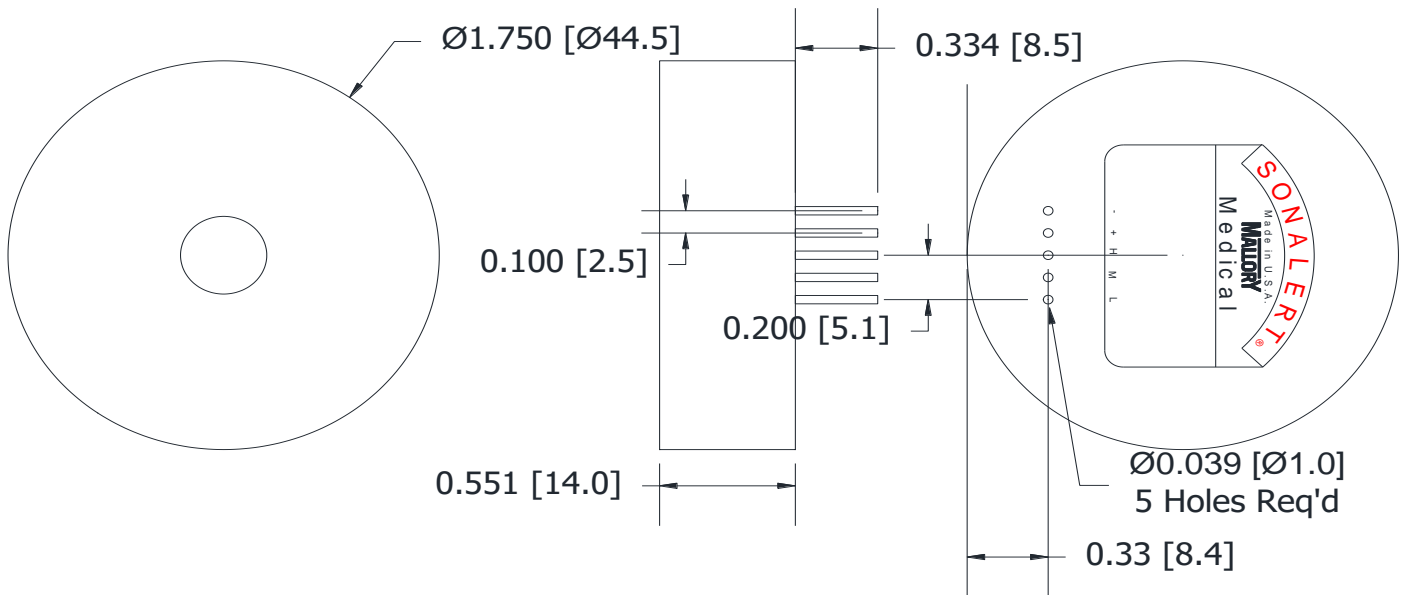
**Sales Outline Drawing**

Revision: **G**

| Specifications:               | cUL Recognized to IEC60601-1-8<br>Cardiac Melody |   |  |  |
|-------------------------------|--|---|--|--|
|                               | Silence  | Loud  | Loud   | Loud   |
| Sound Level Category:         | Silence  | Loud  | Loud   | Loud   |
| Mode of Operation:            | Silence - NO SOUND                               | Low Priority Alarm - 2 beeps repeating every 30 sec | Medium Priority Alarm: 3 beeps repeating every 7.5 sec | High Priority Alarm - 10 beeps repeating every 2.5 sec |
| Loudness @ 10cm:              | Silence  | 85 to 95 dB(A) Typ.                                 | 85 to 95 dB(A) Typ.                                    | 85 to 95 dB(A) Typ.                                    |
| Frequency:                    | Silence  | 150 to 4000 Hz                                      | 150 to 4000 Hz   | 150 to 4000 Hz   |
| Connection:                   | Connect "+" to "+" & "-" to "-" of Power Supply  | Connect "+" to "+" & "-" & L to "-" of Power Supply | Connect "+" to "+" & "-" & M to "-" of Power Supply    | Connect "+" to "+" & "-" & H to "-" of Power Supply    |
| Voltage Rating:               | 9 to 12 VDC                                      |   |  |  |
| Average Current Draw:         | <15mA Typ.                                       | <15mA Typ.  | <15mA Typ.   | <20mA Typ.   |
| Ipk Current*:                 | 75mA   |   |  |  |
| Housing Material:             | ABS 777D Plastic Resin, Black                    |   |  |  |
| Storage Temperature:          | -40° to +85° C                                   |   |  |  |
| Operating Temperature:        | -30° to +65° C                                   |   |  |  |
| Weight Typical:               | 0.6 oz (17g)                                     |   |  |  |
| Options:                      | Please contact factory.                          |   |  |  |
| Condition by wave solder (°C) | 260 ± 5 within 5 sec                             |   |  |  |
| Condition by hand solder (°C) | 350 ± 20 within 5 sec                            |   |  |  |

**Dimensions:** Inches [mm] **cUL Recognized** **ROHS Compliant**

PATENT NUMBER: 7880593



\*Ipk = Instantaneous Peak

tolerances: ±0.01 [±0.3]  
±0.005 [±0.1]