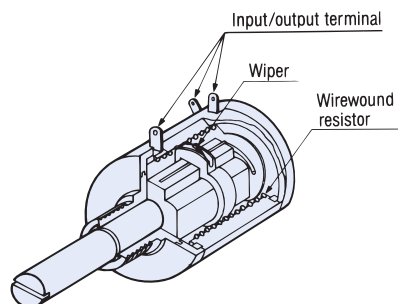


# WIREWOUND MULTITURN TYPE **M22L10** series

RoHS compliant



Basic construction  
Wirewound multiturn type



## FEATURES

- Fine setting is possible
- Long life
- RoHS compliant

## PART NUMBER DESIGNATION

M22L10 - 000 - 102

Series name

Nominal resistance value ( $\Omega$ )

000-102 : 1 k  
 000-202 : 2 k  
 000-502 : 5 k  
 100-103 : 10 k  
 100-203 : 20 k

## LIST OF PART NUMBERS

Nominal resistance value ( $\Omega$ )	Part number
1 k	M22L10-000-102
2 k	M22L10-000-202
5 k	M22L10-000-502
10 k	M22L10-100-103
20 k	M22L10-100-203

# M22L10 series

## POTENTIOMETERS

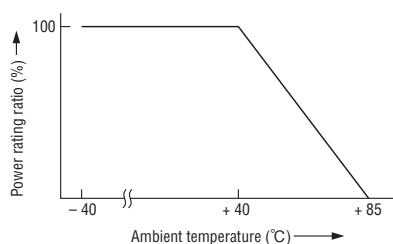
### STANDARD SPECIFICATIONS

Item	Part number	M22L10 series
Resistance tolerance	%	± 5
Independent linearity	%	± 0.2
End resistance, maximum		5 Ω
Effective electrical angle		3600°
Mechanical angle		3600° $^{+10°}_0$
Power rating	W	2
Dielectric strength	Vrms	1000 1 min
Insulation resistance	MΩ minimum	1000 (at DC 500 V)
Rotational torque	mN·m (gf·cm) maximum	9.81 {100}
Strength of tighten screw	N·m (kgf·cm) maximum	0.98 {10}
Stop strength	N·m (kgf·cm) maximum	0.196 {2}
Peak noise	Ω maximum	50 (at 4 min <sup>-1</sup> )
Temp. coefficient of resistance	ppm/°C	± 50
Operating temp. range	°C	-40 ~ 85
Rotational life		5 million turns (At the reciprocation of ten rotations)
Net weight	g	Approx. 19
Protection grade		IP40

### NOMINAL RESISTANCE · RESOLUTION · RATED VOLTAGE · RATED CURRENT

Nominal resistance value (Ω)	Resolution (%)	Rated voltage (V)	Rated current (mA)
	M22L10 series	M22L10 series	M22L10 series
1 k	0.025	44.7	44.7
2 k	0.020	63.2	31.6
5 k	0.014	100.0	20.0
10k	0.018	141.1	14.1
20 k	0.014	200.0	10.0

### RATED POWER DERATING CURVE



### OUTLINE DIMENSIONS

(Unit: mm)

