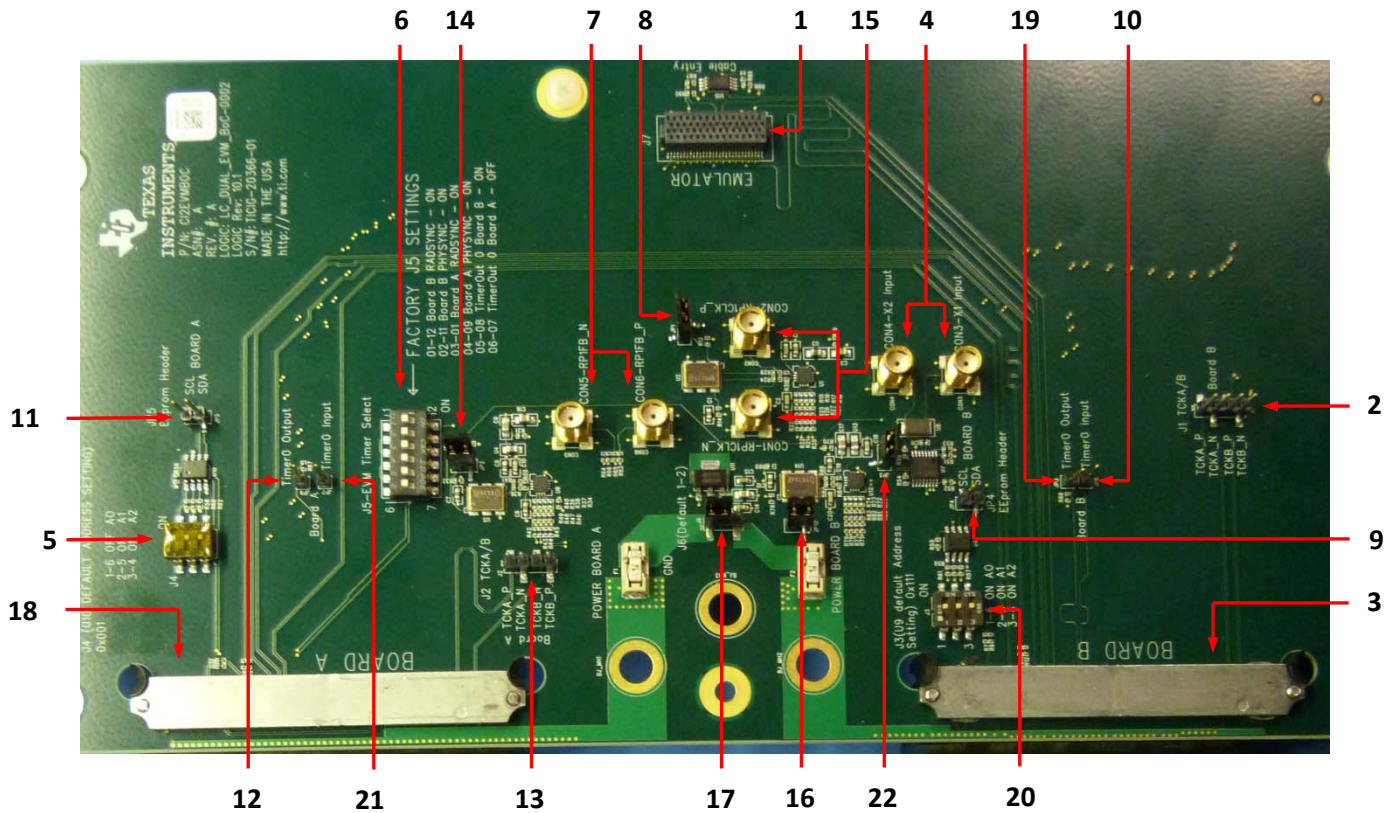
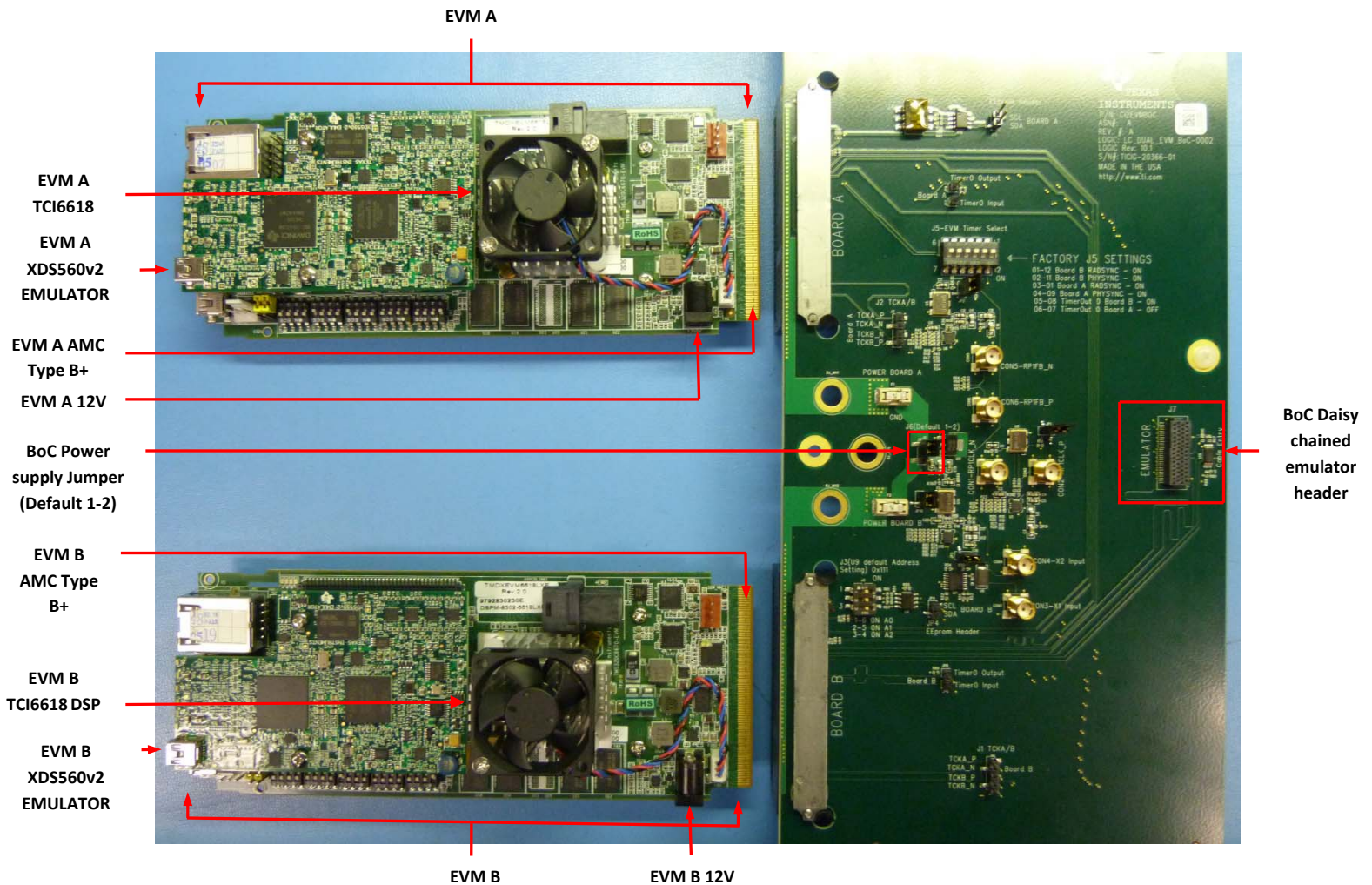


Dual EVM Breakout Card: Quick Setup Guide



- | | |
|---|---|
| 1 - Emulation Interface – J7 | 12 - Board A Timer0 Output Interface Header – JP9 |
| 2 - Board B TCKA/B Header – J1 | 13 - Board A TCKA/B Header – J2 |
| 3 - Board B AMC B+ EVM Interface Connector | 14 - A_TCKLB & B_TCKB Source Input Clock Oscillator Enable Control – JP2 |
| 4 - Auxiliary PCIe Clock Input SMA Connectors - CON3/CON4 | 15 - Auxiliary RP1CLK Clock Input SMA Connectors – CON1/CON2 |
| 5 - Board A EEPROM Address Configuration Switch - J4 | 16 - Board A & B REFCLK Source Input Clock Oscillator Enable Control – JP10 |
| 6 - Timer Sync Configuration Switch - J5 | 17 - Primary BoC Power Selection Switch – J6 |
| 7 - Auxiliary RP1FB Clock Input SMA Connectors – CON5/CON6 | 18 - Board A AMC B+ EVM Interface Connector |
| 8 - RP1CLK Source Input Clock Oscillator Enable Control – JP1 | 19 - Board B Timer0 Output Interface Header – JP8 |
| 9 - Board B I2C EEPROM Programming Header – JP4 | 20 - Board B EEPROM Address Configuration Switch – J3 |
| 10 - Board B Timer0 Input Interface Header – JP6 | 21 - Board A Timer0 Input Interface Header – JP7 |
| 11 - Board A I2C EEPROM Programming Header – JP5 | 22 - Board A & B PCIeCLK Source Input Clock Oscillator Enable Control - JP3 |

Two TCI6618 EVMs with Break Out Card Setup



The EVM dual Break Out Card (BOC) is a high performance inter-communication card designed to provide 2 EVMs to communicate across their high speed interfaces. Out of the box the BoC supports EVM to EVM communication for: SRIO, SGMII, and PCI express. In addition, each EVM will need power and emulation provided.

For EVM to EVM communication using AIF2 and the other supported features of the BOC, please refer to Texas Instruments Dual EVM BoC Card – User’s Guide (refer to the Wiki link given below). A list of supported EVMs will also be listed at the following website:

http://processors.wiki.ti.com/index.php/CI_Dual_EVM_Break_Out_Card

NOTE: While the BOC has an emulation header to support JTAG daisy for the SOC’s on the EVMs, the XDS560v2 mezzanine cards must be removed from the EVMs in order for the BOC emulation header to operate correctly.