

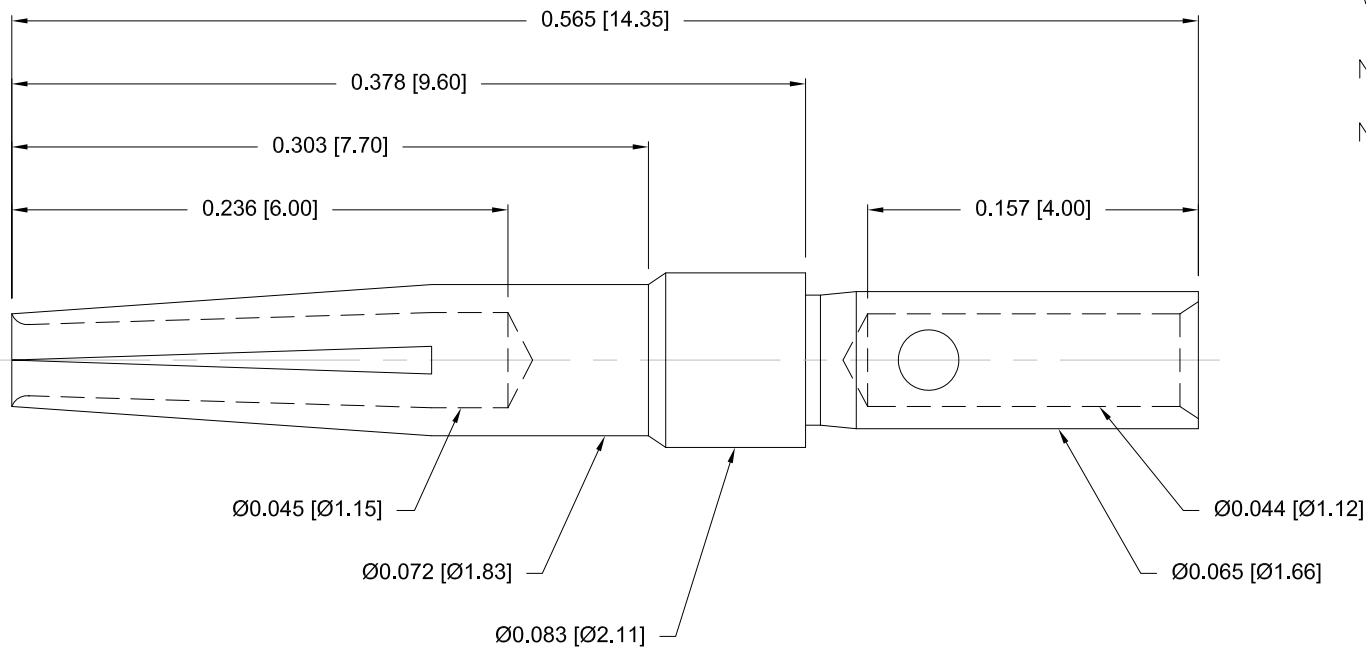
MATERIAL: BRASS

PLATING: Au/Ni

WIRE SIZE: 20-26 AWG

NOTE #1: CONTACTS SUPPLIED
LOOSE PIECE (500 PER BAG)

NOTE #2: RECOMMENDED MAX.
STRAND DIAMETER = .041"



	NORCOMP PART NUMBER
250 MATING CYCLES // CLASS 2	170-202-170L003

RoHS COMPLIANT

UNITS = inch [mm]

DO NOT SCALE FROM DRAWING



THESE DRAWINGS AND SPECIFICATIONS ARE THE PROPERTY OF NorComp AND SHALL NOT BE REPRODUCED, COPIED OR USED AS THE BASIS FOR THE MANUFACTURE OR SALE OF APPARATUS WITHOUT WRITTEN PERMISSION.

DRAWN:

C. SMITH

DATE:

01/15/2009

NorComp

SCALE:
NTS

SHEET OF
1 1

REV
7

DWG NO.

170-202-170L003