


FEATURES

- 2, 3 or 4 Pole Contact Forms
- AC & DC Coils Available
- Available as Plug-In or PC Pins
- Available with Gold Plated Contacts
- Available with Top Mounting Flange
- Available with Push-To-Test Button
- Available Compatible with SC118 Series Socket


UL / CUL Ratings

Contact Form	2 Form C, DPDT	
Rated Load	Voltage	Amps
General Purpose, 6K cycles, 40°C	28VDC	10A
General Purpose, 6K cycles, 40°C	220VAC	10A

Contact Form	3 Form C, 3PDT	
Rated Load	Voltage	Amps
General Purpose, 6K cycles, 40°C	28VDC	10A
General Purpose, 6K cycles, 40°C	220VAC	10A

Contact Form	4 Form C, 4PDT	
Rated Load	Voltage	Amps
General Purpose, 6K cycles, 40°C	28VDC	5A
General Purpose, 6K cycles, 40°C	220VAC	5A

CHARACTERISTICS

Insulation Resistance	100MΩ min. at 500 VDC
Dielectric Strength	1500V rms, between coil & contacts 1000V rms, between open contacts 1000V rms, between poles
Power Consumption	0.9W, 1.2VA
Terminal Strength	8N QC; 4N PCB
Solderability	260°C 5 s ± 0.5 s
Operating Temperature	-40°C to 85°C
Storage Temperature	-40°C to 155°C
Shock Resistance	100 m/s ² 11 ms
Vibration Resistance	10-55 Hz double amplitude 1.5mm
Weight	~37g

CONTACT DATA

Maximum Switching Power	280W, 2200VA	
Maximum Switching Voltage	48VDC, 277VAC	
Maximum Switching Current	10A	
Material	AgCdO	
Initial Contact Resistance	50 mΩ max.	
Service Life	Mechanical	1 x 10 ⁷ operations
	Electrical	1 x 10 ⁵ operations

Values can change due to the switching frequency, desired reliability levels, environmental conditions, and in-rush current levels. It is recommended to test to actual load conditions for the application. It is the users responsibility to determine the performance suitability for their specific application. The use of any coil voltage less than the rated coil voltage may compromise the operation of the relay.

ORDERING INFORMATION

Example	PC118	-2C	-P	-C1	-120A	-LM	-X
Model:	PC118						
Contact Form:	2C 3C 4C						
Terminal Type:	Nil = Solder Lug P = PC Pin						
Case Type:	Nil = Plain Case C1 = Flange Mount Case						
Coil:	12A = 12VAC 24A = 24VAC 120A = 120VAC 220A = 220VAC 12D = 12VDC 24D = 24VDC 110D = 110VDC						
Options*:	Nil = None G = Gold Plated Contacts L = LED Indicator M = Push-To-Test Button						
RoHS Compliant:	X = RoHS Compliant						

*May select multiple options

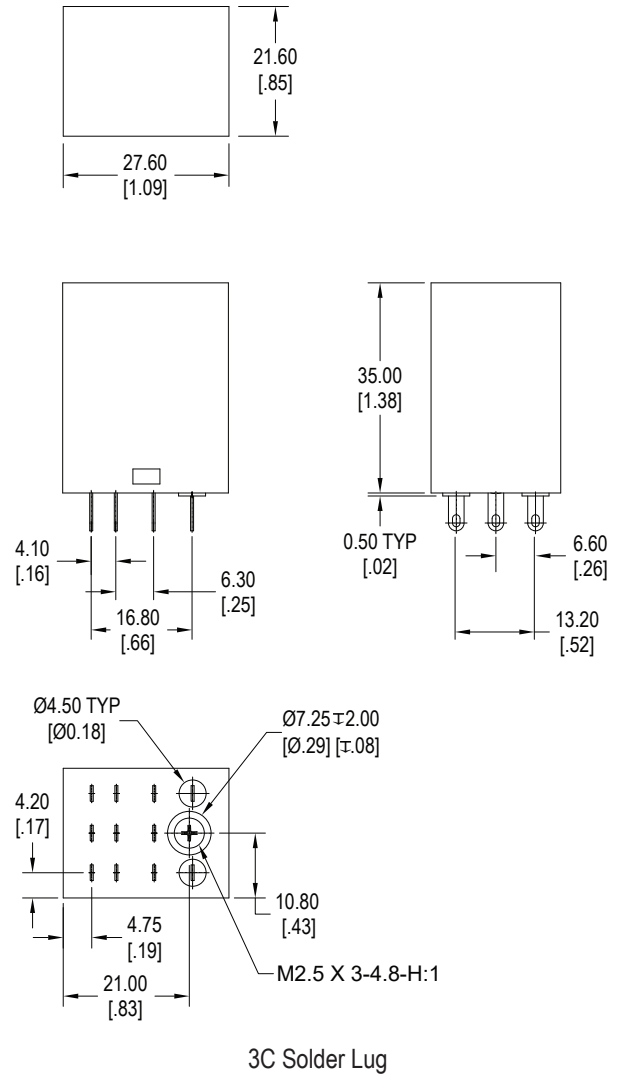
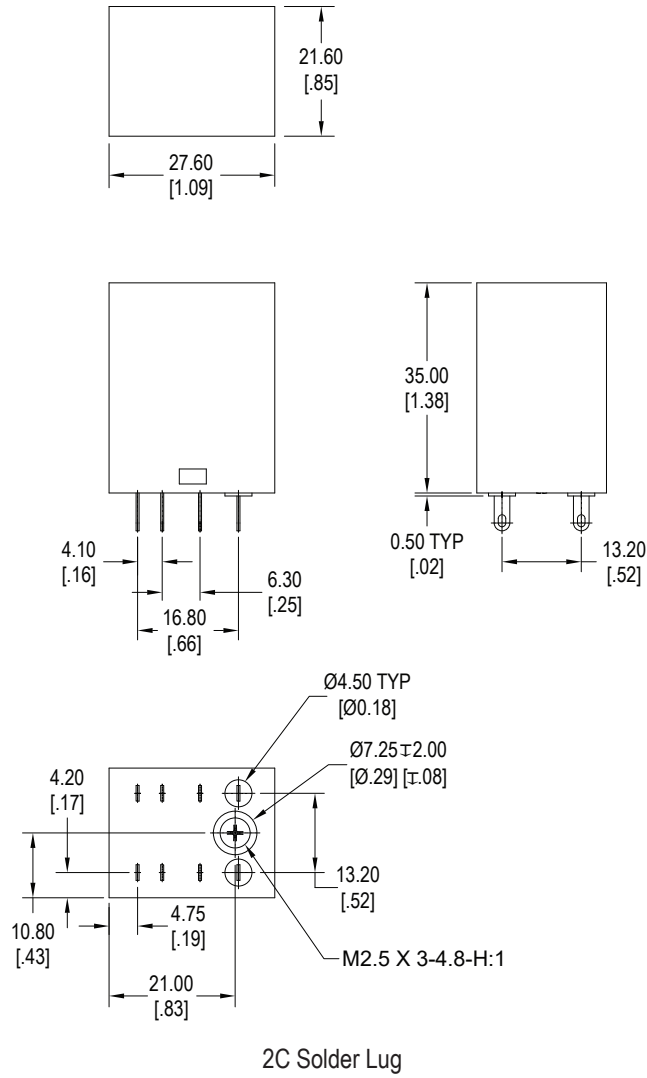
COIL DATA - DC Coil Power

Coil Voltage		Resistance (Ohms ± 10%)	Pick Up Voltage Max. VDC	Release Voltage Min. VDC	Coil Power W	Operate Time ms	Release Time ms
Rated	Maximum						
12	13.2	160	9.0	1.2	.9	25	25
24	26.4	640	18.0	2.4			
110	121	11000	82.5	11.0			

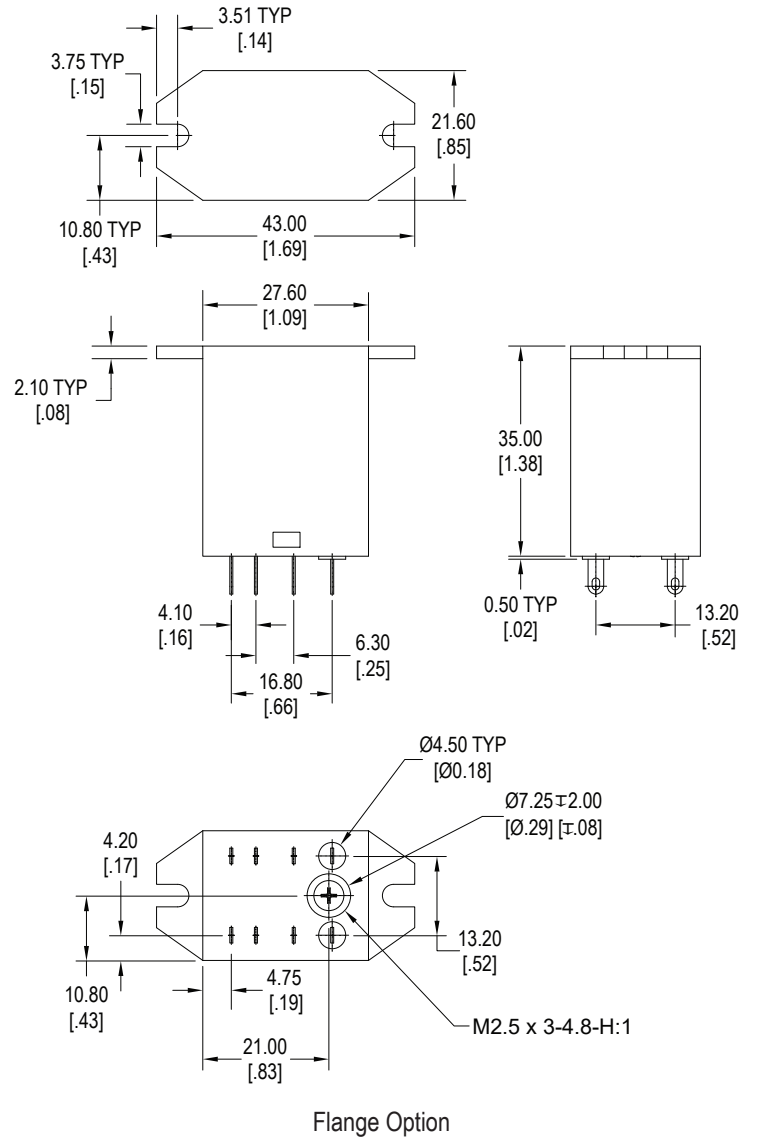
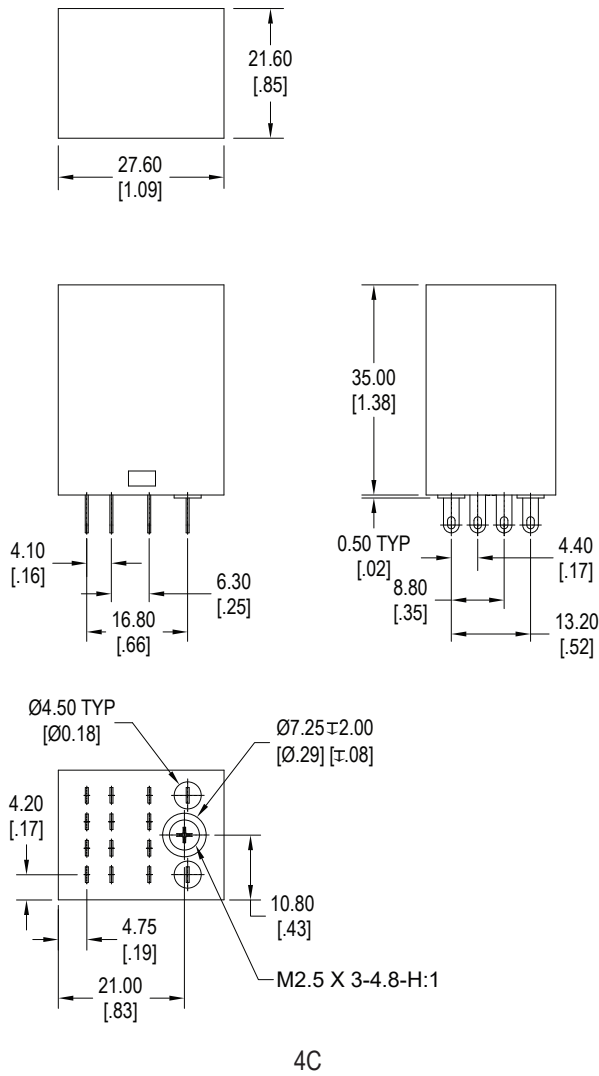
COIL DATA - AC Coil Power

Coil Voltage		Resistance (Ohms ± 10%)	Pick Up Voltage Max. VAC	Release Voltage Min. VAC	Coil Power VA	Operate Time ms	Release Time ms
Rated	Maximum						
12	13.2	46	9.6	3.6	1.2	25	25
24	26.4	184	19.2	7.2			
120	132	4550	96.0	36.0			
220	252	14400	176.0	66.0			

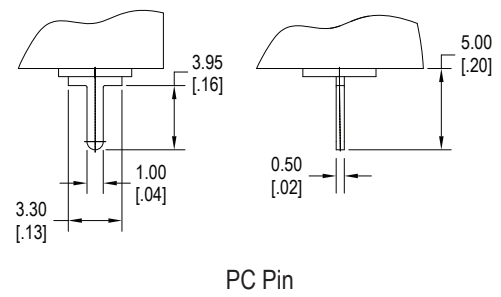
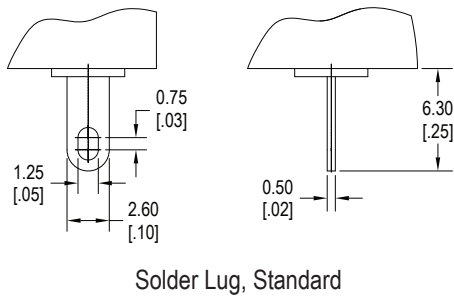
DIMENSIONS mm (inches)



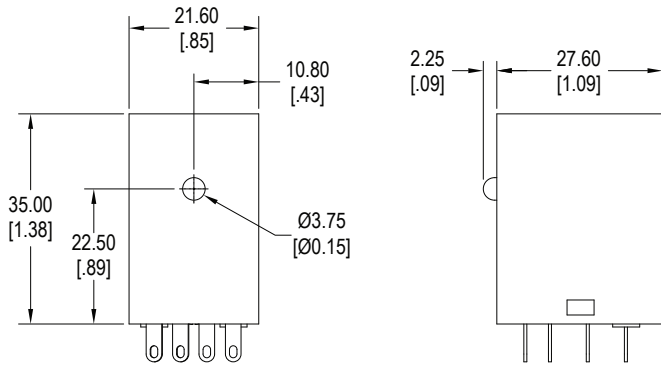
DIMENSIONS mm (inches)



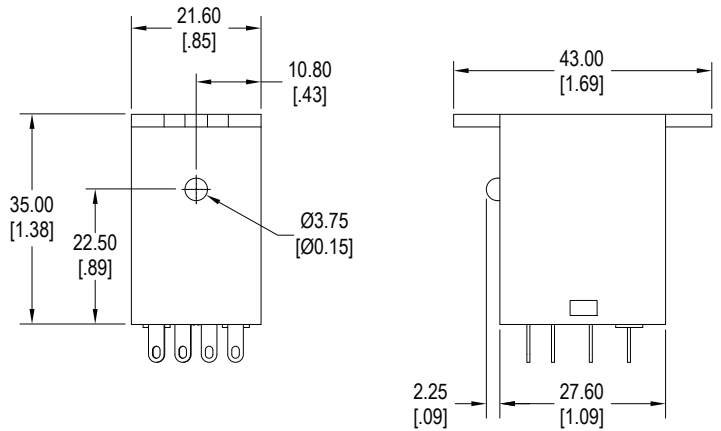
TERMINATION OPTIONS



TERMINATION OPTIONS

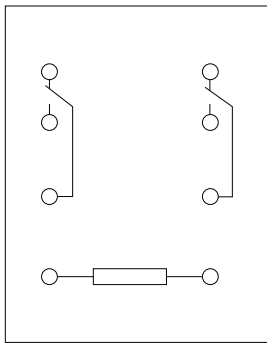


Push-To-Test Button, Standard

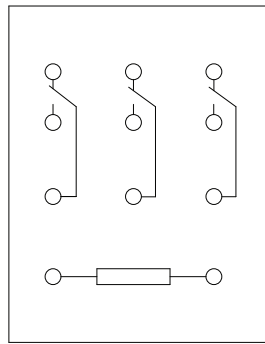


Push-To-Test Button, Flange

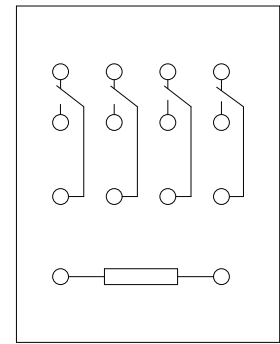
SCHEMATICS & PC LAYOUT *Bottom Views*



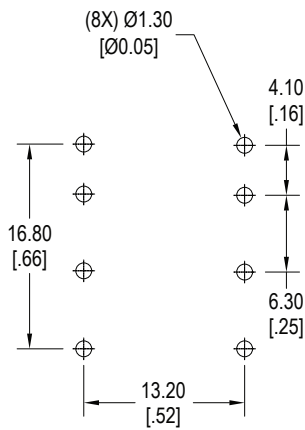
2C



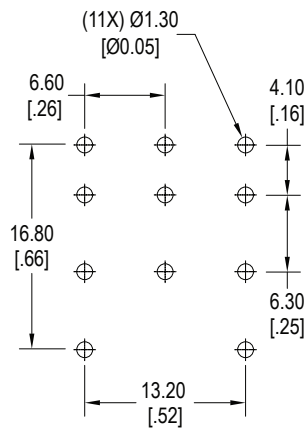
3C



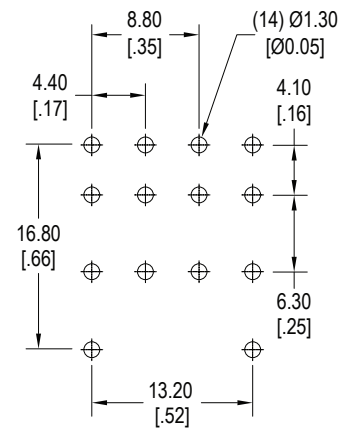
4C



2C



3C



4C