


FEATURES

- 40 Amps Continuous Carrying Current
- Internal Diode or Resistor Option
- Sockets Available
- Fully Automated Assembly


CONTACT RATINGS

| | |
|----------------|--|
| Contact Form | 1A SPST N.O. 1C SPDT |
| Contact Rating | 1A 40A @ 14VDC, resistive 20A @ 24VDC, resistive 1C NO 40A @ 14VDC, resistive NC 30A @ 14VDC, resistive NO 20A @ 24VDC, resistive NC 15A @ 24VDC, resistive |

CHARACTERISTICS

| | |
|-----------------------|---|
| Insulation Resistance | 100 M Ω min. at 500 VDC |
| Dielectric Strength | 500 Vrms, 50 Hz, between contacts 750 Vrms, 50 Hz, between coil & contacts |
| Power Consumption | 1.6W, 1.9W, 2.3W |
| Terminal Strength | 8N quick connect, 4N PCB pins |
| Solderability | 260°C 5 s \pm 0.5 s |
| Operating Temperature | -40°C to 125°C |
| Storage Temperature | -40°C to 155°C |
| Shock Resistance | 147 m/s ² 11 ms |
| Vibration Resistance | 10-40Hz; 1.5mm double amplitude |
| Weight | 31.0g |

CONTACT DATA

| | |
|----------------------------|--|
| Maximum Switching Power | 560 W |
| Maximum Switching Voltage | 75 VDC |
| Maximum Continuous Current | 40 A |
| Material | AgSnO ₂ |
| Initial Contact Resistance | 30 m Ω max. |
| Service Life | Mechanical 1 x 10 ⁷ operations Electrical 1 x 10 ⁵ operations |

Values can change due to the switching frequency, desired reliability levels, environmental conditions, and in-rush current levels. It is recommended to test to actual load conditions for the application. It is the users responsibility to determine the performance suitability for their specific application. The use of any coil voltage less than the rated coil voltage may compromise the operation of the relay.

ORDERING INFORMATION

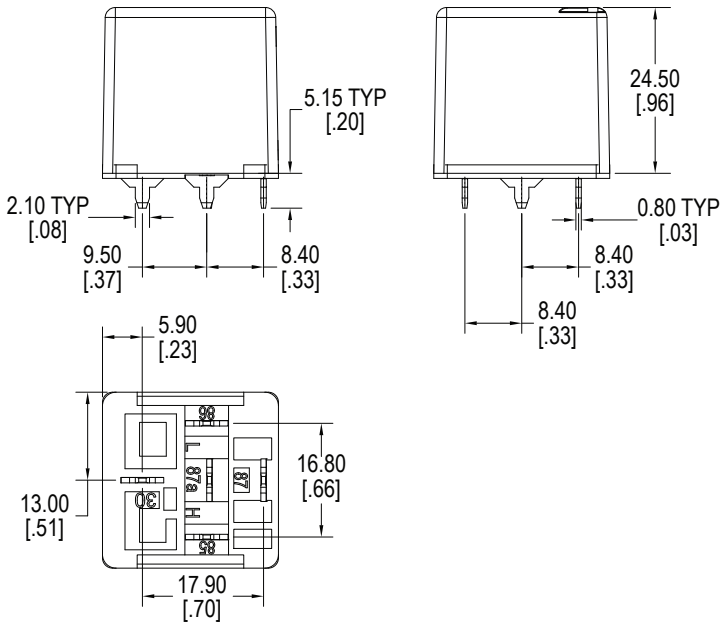
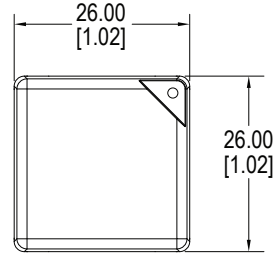
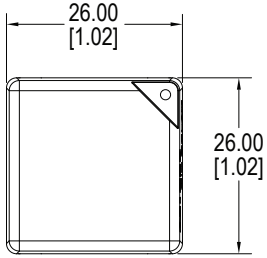
| | | | | | | | | | |
|---------------------|---|-----|----|-----|---|-----|----|---|----|
| Example Model: | PC792A | -1C | -C | -12 | S | 1.9 | -D | N | -X |
| Contact Form: | 1A 1C | | | | | | | | |
| Mounting Version: | C = Plug-In C1 = Plastic Bracket C2 = Metal Bracket C3 = Weatherproof Case with Metal Bracket P = PC Pins | | | | | | | | |
| Coil Voltage: | 6 = 6VDC 9 = 9VDC 12 = 12VDC 24 = 24VDC 48 = 48VDC | | | | | | | | |
| Enclosure: | C = Dust Cover S = Sealed S1 = Flux Tight ⁽¹⁾ | | | | | | | | |
| Coil Power: | Nil = 1.6W 1.9 = 1.9W 2.3 = 2.3W ⁽²⁾ | | | | | | | | |
| Parallel Component: | Nil = None D = Diode (1N4005) D1 = Reverse Diode (1N4005) R = Resistor (680 Ohms for 12VDC, 2700 for 24VDC) | | | | | | | | |
| Terminal Plating: | Nil = PC Pin N = Nickel Plated Terminals, standard on all Plug-In models | | | | | | | | |
| RoHS Compliant: | -X | | | | | | | | |

⁽¹⁾ Flux Tight relays are constructed such that Flux will not enter the relay in an automated soldering process, they are NOT suitable for water wash cleaning.
⁽²⁾ Special coil - minimum order quantities apply.

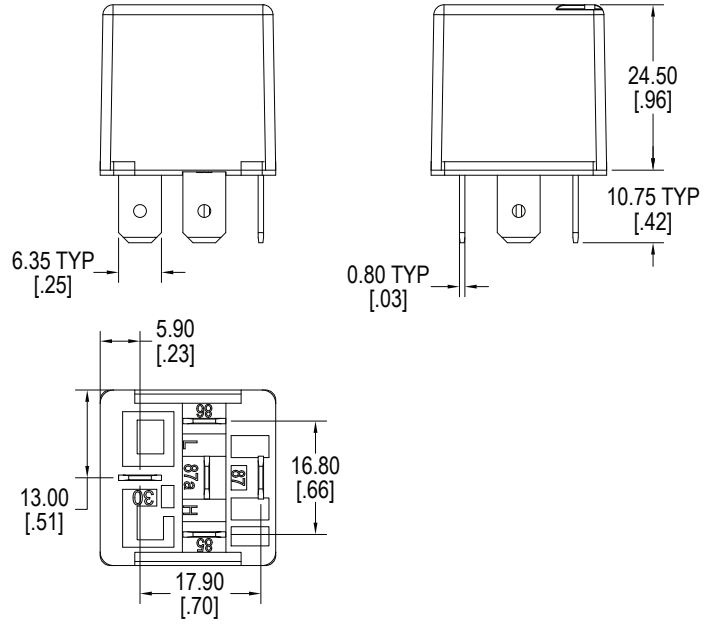
COIL DATA

| Coil Voltage | | Resistance (Ohms ± 10%) | | | Pick Up Voltage Max. VDC | Release Voltage Min. VDC | Coil Power W | Operate Time ms | Release Time ms |
|--------------|---------|-------------------------|-------|-------|--------------------------|--------------------------|--------------------|-----------------|-----------------|
| Rated | Maximum | 1.6W | 1.9W | 2.3W | | | | | |
| 6 | 7.8 | 22.5 | 19 | 15.6 | 3.9 | 0.6 | 1.6W, 1.9W or 2.3W | ≤10 | ≤10 |
| 9 | 11.7 | 50.6 | n/a | n/a | 5.9 | 0.9 | | | |
| 12 | 15.6 | 90 | 75.8 | 62.6 | 7.8 | 1.2 | | | |
| 24 | 31.2 | 360 | 303.2 | 250.4 | 15.6 | 2.4 | | | |
| 48 | 62.4 | 1440 | n/a | n/a | 31.2 | 4.8 | | | |

DIMENSIONS mm (inches)

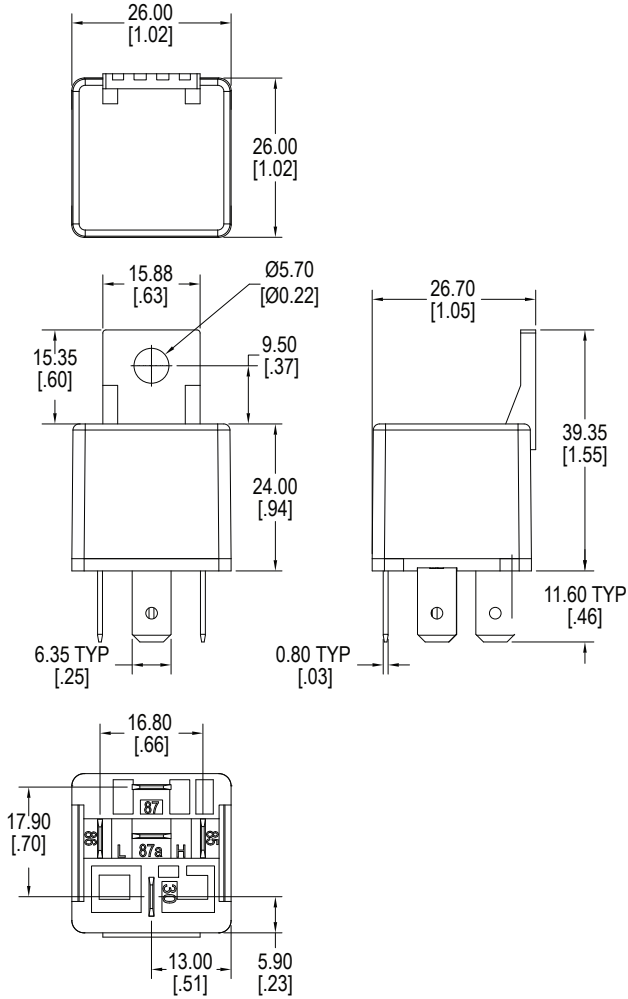


Standard with PC Pins (P)

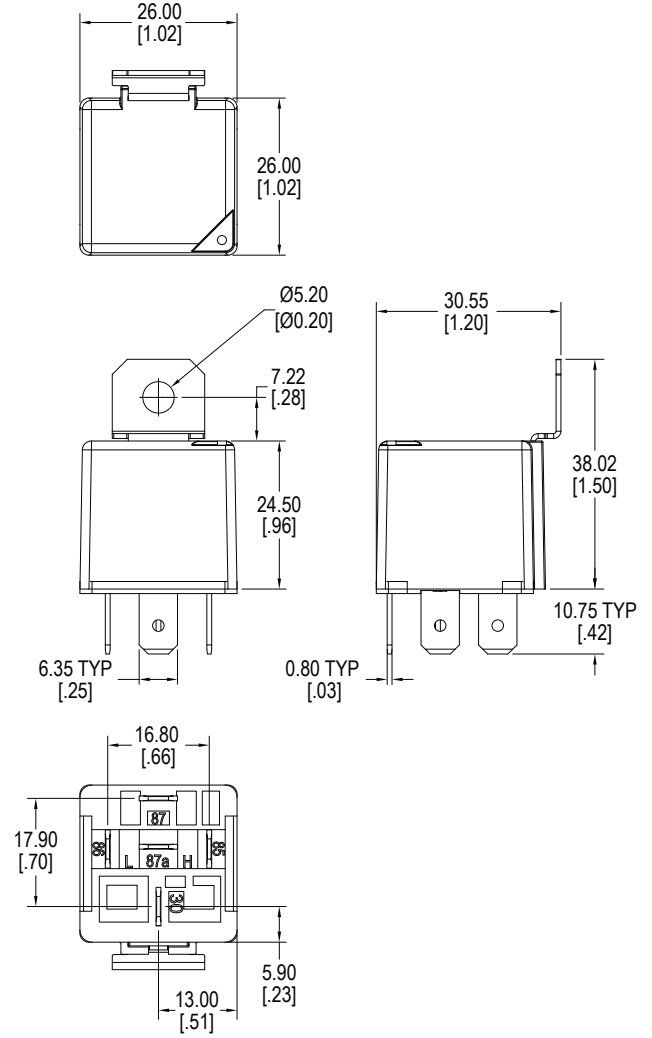


Standard with Quick Connect (C)

DIMENSIONS mm (inches)

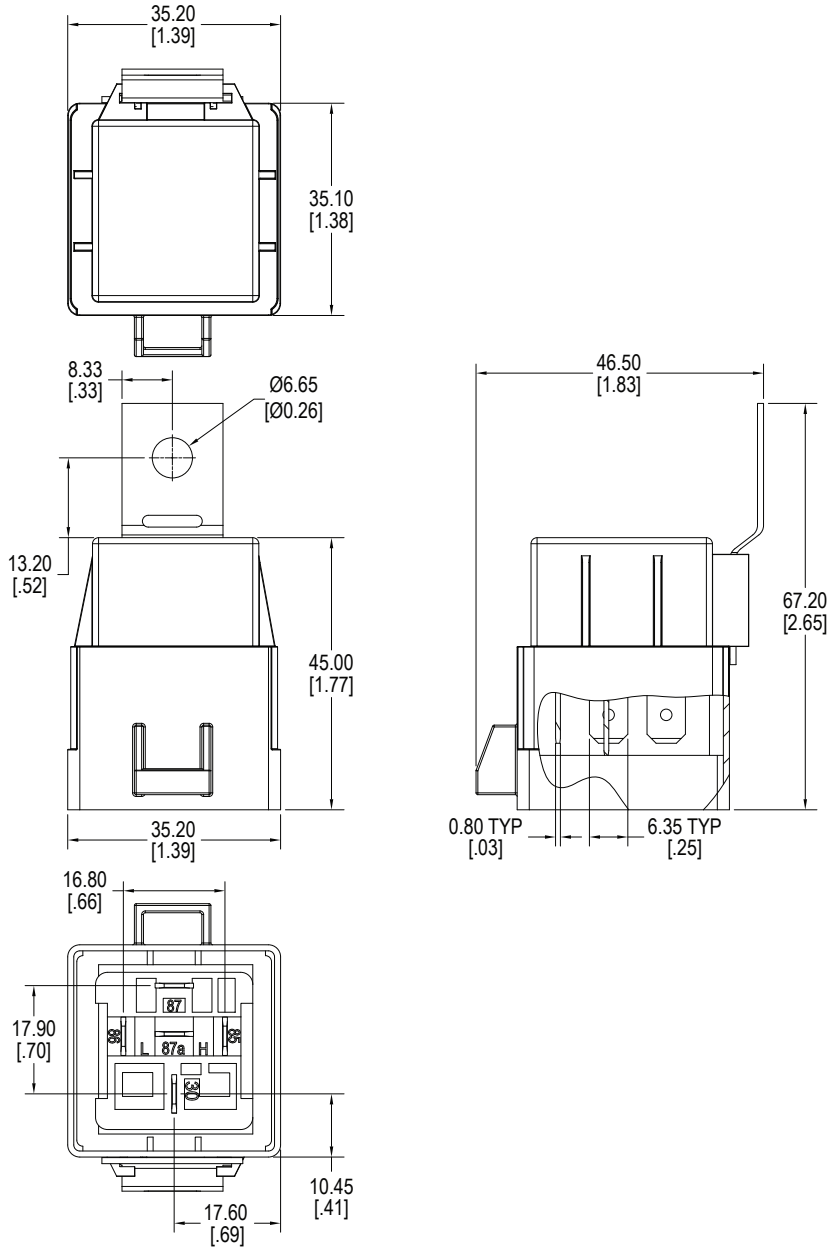


Quick Connect with Plastic Bracket (C1)



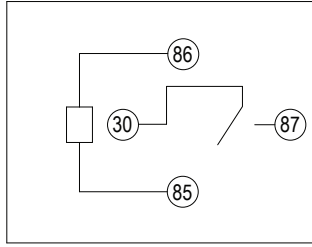
Quick Connect with Metal Bracket (C2)

DIMENSIONS mm (inches)

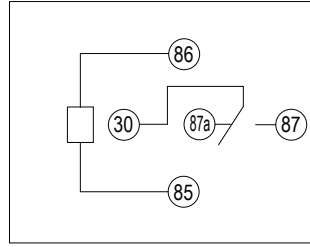


Quick Connect with Weatherproof Shroud (C3)

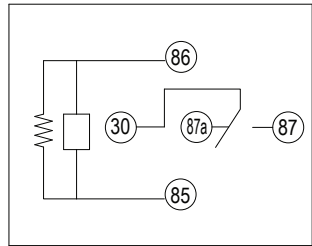
SCHEMATICS *Bottom Views*



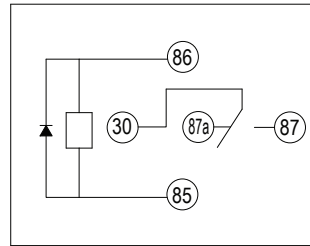
1A



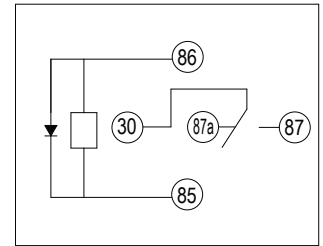
1C



1C with Resistor



1C with Diode



1C with Reverse Diode

PC LAYOUT

