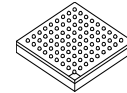


MIMX8MQ6DVAJZAA MIMX8MQ6DVAJZAB  
MIMX8MQ5DVAJZAA MIMX8MQ5DVAJZAB  
MIMX8MQ6DVAJZIB MIMX8MD6DVAJZAA  
MIMX8MD6DVAJZAB

# i.MX 8M Dual / 8M QuadLite / 8M Quad Applications Processors Data Sheet for Consumer Products



**Package Information**  
Bare Die Package  
FBGA 17 x 17 mm, 0.65 mm pitch

|                                       |
|---------------------------------------|
| <b>Ordering Information</b>           |
| See <a href="#">Table 2 on page 6</a> |

## 1 i.MX 8M Dual / 8M QuadLite / 8M Quad introduction

The i.MX 8M Dual / 8M QuadLite / 8M Quad processors represent NXP's latest market of connected streaming audio/video devices, scanning/imaging devices, and various devices requiring high-performance, low-power processors.

The i.MX 8M Dual / 8M QuadLite / 8M Quad processors feature advanced implementation of a quad Arm® Cortex®-A53 core, which operates at speeds of up to 1.5 GHz. A general purpose Cortex®-M4 core processor is for low-power processing. The DRAM controller supports 32-bit/16-bit LPDDR4, DDR4, and DDR3L memory. There are a number of other interfaces for connecting peripherals, such as WLAN, Bluetooth, GPS, displays, and camera sensors. The i.MX 8M Quad and i.MX 8M Dual processors have hardware acceleration for video playback up to 4K, and can drive the video outputs up to 60 fps. Although the i.MX 8M QuadLite processor does not have hardware acceleration for video decode, it allows for video playback with software decoders if needed.

|      |   |     |
|------|---|-----|
| 1.   | i.MX 8M Dual / 8M QuadLite / 8M Quad introduction | 1   |
| 1.1. | Block diagram                                     | 5   |
| 1.2. | Ordering information                              | 6   |
| 2.   | Modules list                                      | 8   |
| 2.1. | Recommended connections for unused interfaces     | 12  |
| 3.   | Electrical characteristics                        | 13  |
| 3.1. | Chip-level conditions                             | 13  |
| 3.2. | Power supplies requirements and restrictions      | 27  |
| 3.3. | PLL electrical characteristics                    | 29  |
| 3.4. | On-chip oscillators                               | 30  |
| 3.5. | I/O DC parameters                                 | 32  |
| 3.6. | I/O AC parameters                                 | 34  |
| 3.7. | Output buffer impedance parameters                | 37  |
| 3.8. | System modules timing                             | 39  |
| 3.9. | External peripheral interface parameters          | 40  |
| 4.   | Boot mode configuration                           | 76  |
| 4.1. | Boot mode configuration pins                      | 76  |
| 4.2. | Boot device interface allocation                  | 77  |
| 5.   | Package information and contact assignments       | 78  |
| 5.1. | 17 x 17 mm package information                    | 78  |
| 5.2. | DDR pin function list for 17 x 17 mm package      | 98  |
| 6.   | Revision history                                  | 101 |



Table 1. Features

| Subsystem                      | Feature   |
|--------------------------------|---|
| Arm Cortex-A53 MPCore platform | Quad symmetric Cortex-A53 processors: <ul style="list-style-type: none"> <li>• 32 KB L1 Instruction Cache</li> <li>• 32 KB L1 Data Cache</li> <li>• Support L1 cache RAMs protection with parity/ECC</li> </ul> |
|                                | Support of 64-bit Armv8-A architecture: <ul style="list-style-type: none"> <li>• 1 MB unified L2 cache</li> <li>• Support L2 cache RAMs protection with ECC</li> <li>• Frequency of 1.5 GHz</li> </ul>          |
| Arm Cortex-M4 core platform    | 16 KB L1 Instruction Cache  |
|                                | 16 KB L1 Data Cache   |
|                                | 256 KB tightly coupled memory (TCM)   |
| Connectivity                   | Two PCI Express Gen2 interfaces   |
|                                | Two USB 3.0/2.0 controllers with integrated PHY interfaces  |
|                                | Two Ultra Secure Digital Host Controller (uSDHC) interfaces   |
|                                | One Gigabit Ethernet controller with support for IEEE 1588, Ethernet AVB, and IEEE 1588   |
|                                | Four Universal Asynchronous Receiver/Transmitter (UART) modules   |
|                                | Four I <sup>2</sup> C modules   |
|                                | Three SPI modules   |
| External memory interface      | 32/16-bit DRAM interface: LPDDR4-3200, DDR4-2400, DDR3L-1600  |
|                                | 8-bit NAND-Flash  |
|                                | eMMC 5.0 Flash  |
|                                | SPI NOR Flash   |
|                                | QuadSPI Flash with support for XIP  |
| GPIO and pin multiplexing      | GPIO modules with interrupt capability  |
|                                | Input/output multiplexing controller (IOMUXC) to provide centralized pad control  |
| On-chip memory                 | Boot ROM (128 KB)   |
|                                | On-chip RAM (128 KB + 32 KB)  |
| Power management               | Temperature sensor with programmable trip points  |
|                                | Flexible power domain partitioning with internal power switches to support efficient power management   |

Table 1. Features (continued)

| Subsystem   | Feature  |
|---|--|
| Multimedia  | Video Processing Unit: <ul style="list-style-type: none"> <li>• 4Kp60 HEVC/H.265 main, and main 10 decoder</li> <li>• 4Kp60 VP9 decoder</li> <li>• 4Kp30 AVC/H.264 decoder</li> <li>• 1080p60 MPEG-2, MPEG-4p2, VC-1, VP8, RV9, AVS, MJPEG, H.263 decoder</li> </ul>   |
|   | Graphic Processing Unit: <ul style="list-style-type: none"> <li>• 4 shader</li> <li>• 267 million triangles/sec</li> <li>• 1.6 Giga pixel/sec</li> <li>• 32 GFLOPs 32-bit or 64 GFLOPs 16-bit</li> <li>• Support OpenGL ES 1.1, 2.0, 3.0, 3.1, Open CL 1.2, and Vulkan</li> </ul>  |
|   | HDMI Display Interface: <ul style="list-style-type: none"> <li>• HDMI 2.0a supporting one display: resolution up to 4096 x 2160 at 60 Hz, support HDCP 2.2 and HDCP 1.4<sup>1</sup></li> <li>• 20+ Audio interfaces 32-bit @ 384 kHz fs, with Time Division Multiplexing (TDM) support</li> <li>• S/PDIF input and output</li> <li>• Audio Return Channel (ARC) on HDMI</li> <li>• Upscale HD graphics to 4K for display</li> <li>• Downscale 4K video to HD for display</li> <li>• Display Port</li> <li>• Embedded Display Port</li> </ul> |
|   | MIPI-DSI Display Interface: <ul style="list-style-type: none"> <li>• MIPI-DSI 4 channels supporting one display, resolution up to 1920 x 1080 at 60 Hz</li> <li>• LCDIF display controller</li> <li>• Output can be LCDIF output or DC display controller output</li> </ul>  |
|   | Audio: <ul style="list-style-type: none"> <li>• S/PDIF input and output</li> <li>• Five synchronous audio interface (SAI) modules supporting I2S, AC97, TDM, and codec/DSP interfaces, including one SAI with 16 Tx and 16 Rx channels, one SAI with 8 Tx and 8 Rx channels, and three SAI with 2 Tx and 2 Rx channels</li> <li>• One SAI for 8 Tx channels for HDMI output audio</li> <li>• One S/PDIF input for HDMI ARC input</li> </ul>  |
|   | Camera inputs: <ul style="list-style-type: none"> <li>• Two MIPI-CSI2 camera inputs (4-lane each)</li> </ul>   |
|   | Security   |
| Arm TrustZone (TZ) architecture                                     |  |
| On-chip RAM (OCRAM) secure region protection using OCRAM controller |  |
| High Assurance Boot (HAB)   |  |
| Cryptographic acceleration and assurance (CAAM) module              |  |
| Secure non-volatile storage (SNVS): Secure real-time clock (RTC)    |  |
| Secure JTAG controller (SJC)  |  |

**Table 1. Features (continued)**

| Subsystem    | Feature   |
|--------------|---|
| System debug | Arm CoreSight debug and trace architecture                      |
|              | TPIU to support off-chip real-time trace                        |
|              | ETF with 4 KB internal storage to provide trace buffering       |
|              | Unified trace capability for Quad Cortex-A53 and Cortex-M4 CPUs |
|              | Cross Triggering Interface (CTI)                                |
|              | Support for 5-pin (JTAG) debug interface                        |

<sup>1</sup> Please contact the NXP sales and marketing team for order details on HDCP enable parts.

**NOTE**

The actual feature set depends on the part numbers as described in [Table 2](#). Functions such as display and camera interfaces, and connectivity interfaces, may not be enabled for specific part numbers.

## 1.1 Block diagram

Figure 1 shows the functional modules in the i.MX 8M Dual / 8M QuadLite / 8M Quad processor system.

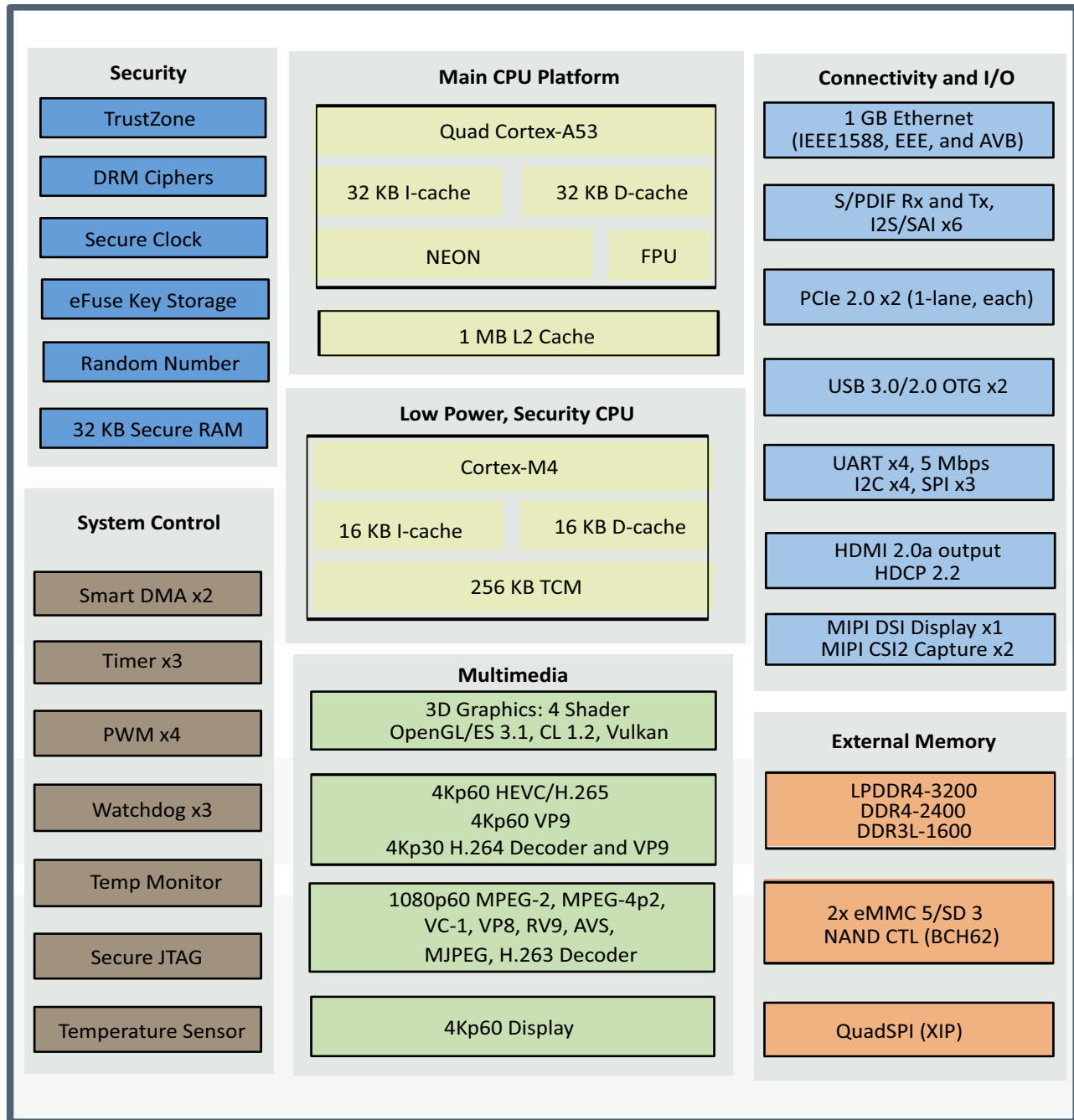


Figure 1. i.MX 8M Dual / 8M QuadLite / 8M Quad system block diagram

## 1.2 Ordering information

Table 2 shows examples of orderable sample part numbers covered by this data sheet. This table does not include all possible orderable part numbers. If your desired part number is not listed in the table, or you have questions about available parts, contact your NXP representative.

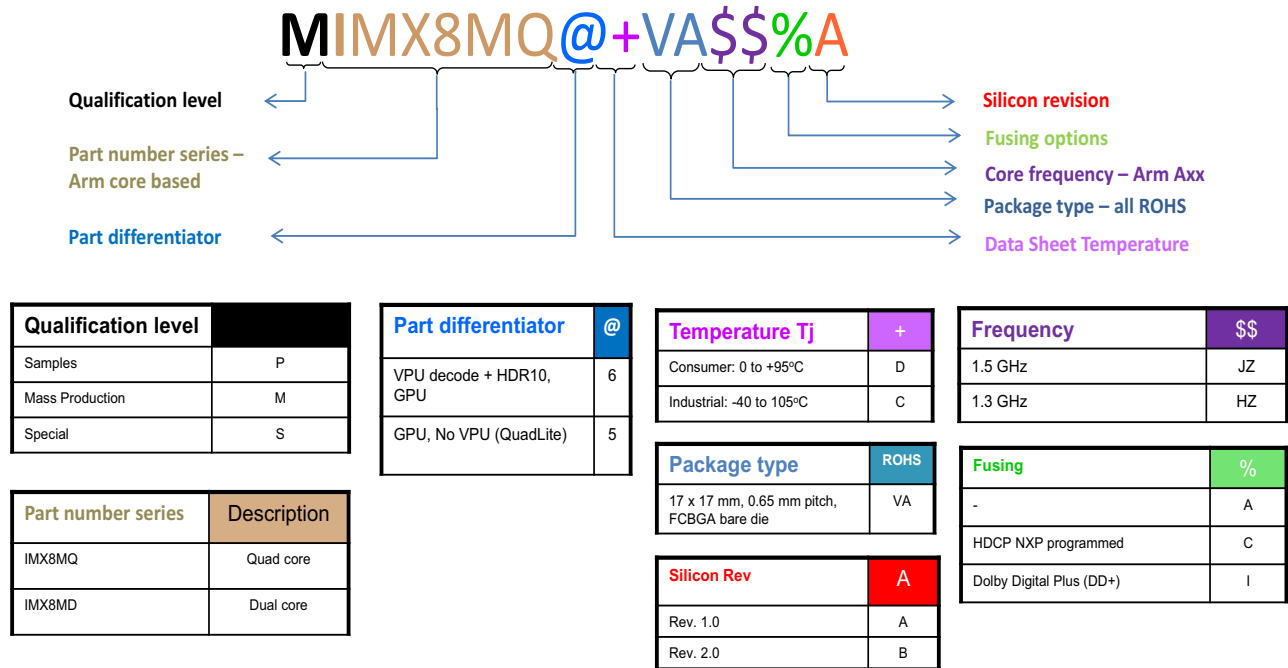
**Table 2. Orderable part numbers**

| Family           | Part number                        | Part differentiator   | Cortex-A CPU speed grade | Qualification tier | Temperature T <sub>j</sub> (°C) | Package                         |
|------------------|------------------------------------|---|--------------------------|--------------------|---------------------------------|---------------------------------|
| i.MX 8M Quad     | MIMX8MQ6DVAJZAA<br>MIMX8MQ6DVAJZAB | VPU decode, HDR10, GPU, 4x A53  | 1.5 GHz                  | Consumer           | 0 to +95                        | 17 x 17 mm, 0.65 mm pitch, FBGA |
| i.MX 8M Quad     | MIMX8MQ6DVAJZIB                    | VPU decode, HDR10, GPU, 4x A53, Dolby Digital Plus (DD+) support <sup>1</sup> | 1.5 GHz                  | Consumer           | 0 to +95                        | 17 x 17 mm, 0.65 mm pitch, FBGA |
| i.MX 8M Dual     | MIMX8MD6DVAJZAA<br>MIMX8MD6DVAJZAB | VPU decode, HDR10, GPU, 2x A53  | 1.5 GHz                  | Consumer           | 0 to +95                        | 17 x 17 mm, 0.65 mm pitch, FBGA |
| i.MX 8M QuadLite | MIMX8MQ5DVAJZAA<br>MIMX8MQ5DVAJZAB | GPU, No VPU, 4x A53   | 1.5 GHz                  | Consumer           | 0 to +95                        | 17 x 17 mm, 0.65 mm pitch, FBGA |

<sup>1</sup> Supply of this Implementation of Dolby technology does not convey a license nor imply a right under any patent, or any other industrial or intellectual property right of Dolby Laboratories, to use this Implementation in any finished end-user or ready-to-use final product. It is hereby notified that a license for such use is required from Dolby Laboratories.

Figure 2 describes the part number nomenclature so that the users can identify the characteristics of the specific part number.

Contact an NXP representative for additional details.



Note 1: Part number with Dolby IP require verification of the Dolby License prior to quoting and prior to shipment. Contact Commercial Marketing.

Figure 2. Part number nomenclature—i.MX 8M Dual / 8M QuadLite / 8M Quad processors

\*Please contact the NXP sales and marketing team for order details on HDCP enable parts.

## 2 Modules list

The i.MX 8M Dual / 8M QuadLite / 8M Quad of processors contain a variety of digital and analog modules. [Table 3](#) describes these modules in alphabetical order.

**Table 3. i.MX 8M Dual / 8M QuadLite / 8M Quad modules list**

| Block mnemonic                            | Block name  | Brief description  |
|---|---|--|
| APBH-DMA                                  | NAND Flash and BCH ECC DMA Controller                                   | DMA controller used for GPMI2 operation.   |
| Arm                                       | Arm Platform  | The Arm Core Platform includes a quad Cortex-A53 core and a Cortex-M4 core. The Cortex-A53 core includes associated sub-blocks, such as the Level 2 Cache Controller, Snoop Control Unit (SCU), General Interrupt Controller (GIC), private timers, watchdog, and CoreSight debug modules. The Cortex-M4 core is used as a customer microcontroller.   |
| BCH                                       | Binary-BCH ECC Processor  | The BCH module provides up to 62-bit ECC encryption/decryption for NAND Flash controller (GPMI)  |
| CAAM                                      | Cryptographic accelerator and assurance module                          | CAAM is a cryptographic accelerator and assurance module. CAAM implements several encryption and hashing functions, a run-time integrity checker, entropy source generator, and a Pseudo Random Number Generator (PRNG). The PRNG is certifiable by the Cryptographic Algorithm Validation Program (CAVP) of the National Institute of Standards and Technology (NIST). CAAM also implements a Secure Memory mechanism. In i.MX 8M Dual / 8M QuadLite / 8M Quad processors, the secure memory provided is 32 KB. |
| CCM<br>GPC<br>SRC                         | Clock Control Module, General Power Controller, System Reset Controller | These modules are responsible for clock and reset distribution in the system, and also for the system power management.  |
| CSU                                       | Central Security Unit   | The Central Security Unit (CSU) is responsible for setting comprehensive security policy within the i.MX 8M Dual / 8M QuadLite / 8M Quad platform.   |
| CTI-0<br>CTI-1<br>CTI-2<br>CTI-3<br>CTI-4 | Cross Trigger Interface   | Cross Trigger Interface (CTI) allows cross-triggering based on inputs from masters attached to CTIs. The CTI module is internal to the Cortex-A53 core platform.   |
| DAP                                       | Debug Access Port   | The DAP provides real-time access for the debugger without halting the core to access: <ul style="list-style-type: none"> <li>• System memory and peripheral registers</li> <li>• All debug configuration registers</li> </ul> The DAP also provides debugger access to JTAG scan chains.  |
| DC  | Display Controller  | Dual display controller  |
| DDRC                                      | Double Data Rate Controller   | The DDR Controller has the following features: <ul style="list-style-type: none"> <li>• Supports 32/16-bit LPDDR4-3200, DDR4-2400, and DDR3L-1600</li> <li>• Supports up to 8 Gbyte DDR memory space</li> </ul>  |



Table 3. i.MX 8M Dual / 8M QuadLite / 8M Quad modules list (continued)

| Block mnemonic                               | Block name                       | Brief description   |
|--|----------------------------------|---|
| eCSPI1<br>eCSPI2<br>eCSPI3                   | Configurable SPI                 | Full-duplex enhanced Synchronous Serial Interface, with data rate up to 52 Mbit/s. Configurable to support Master/Slave modes, only one chip select is supported.   |
| EIM  | NOR-Flash / PSRAM interface      | The EIM NOR-FLASH / PSRAM provides: <ul style="list-style-type: none"> <li>• Support for 16-bit (in Muxed I/O mode only) PSRAM memories (sync and async operating modes), at slow frequency</li> <li>• Support for 16-bit (in muxed and non muxed I/O modes) NOR-Flash memories, at slow frequency</li> <li>• Multiple chip selects</li> </ul>  |
| ENET1  | Ethernet Controller              | The Ethernet Media Access Controller (MAC) is designed to support 10/100/1000 Mbps Ethernet/IEEE 802.3 networks. An external transceiver interface and transceiver function are required to complete the interface to the media. The module has dedicated hardware to support the IEEE 1588 standard. See the ENET chapter of the <i>i.MX 8M Dual / 8M QuadLite / 8M Quad Applications Processor Reference Manual (IMX8MDQLQRM)</i> for details.  |
| GIC  | Generic Interrupt Controller     | The GIC handles all interrupts from the various subsystems and is ready for virtualization.   |
| GPIO1<br>GPIO2<br>GPIO3<br>GPIO4<br>GPIO5    | General Purpose I/O Modules      | Used for general purpose input/output to external ICs. Each GPIO module supports up to 32 bits of I/O.  |
| GPMI   | General Purpose Memory Interface | The GPMI module supports up to 8x NAND devices and 62-bit ECC encryption/decryption for NAND Flash Controller (GPMI2). GPMI supports separate DMA channels for each NAND device.  |
| GPT1<br>GPT2<br>GPT3<br>GPT4<br>GPT5<br>GPT6 | General Purpose Timer            | Each GPT is a 32-bit “free-running” or “set-and-forget” mode timer with programmable prescaler and compare and capture register. A timer counter value can be captured using an external event and can be configured to trigger a capture event on either the leading or trailing edges of an input pulse. When the timer is configured to operate in “set-and-forget” mode, it is capable of providing precise interrupts at regular intervals with minimal processor intervention. The counter has output compare logic to provide the status and interrupt at comparison. This timer can be configured to run either on an external clock or on an internal clock. |
| GPU3D  | Graphics Processing Unit-3D      | The GPU3D provides hardware acceleration for 3D graphics algorithms with sufficient processor power to run desktop quality interactive graphics applications on displays.   |
| HDMI Tx                                      | HDMI Tx interface                | The HDMI module provides an HDMI standard interface port to an HDMI 2.0a-compliant display.   |
| I2C1<br>I2C2<br>I2C3<br>I2C4                 | I <sup>2</sup> C Interface       | I <sup>2</sup> C provides serial interface for external devices.  |

**Table 3. i.MX 8M Dual / 8M QuadLite / 8M Quad modules list (continued)**

| Block mnemonic               | Block name                    | Brief description   |
|------------------------------|-------------------------------|---|
| IOMUXC                       | IOMUX Control                 | This module enables flexible I/O multiplexing. Each IO pad has a default as well as several alternate functions. The alternate functions are software configurable.   |
| LCDIF                        | LCD interface                 | The LCDIF is a general purpose display controller used to drive a wide range of display devices varying in size and capability.   |
| MIPI CSI2 (four-lane)        | MIPI Camera Serial Interface  | This module provides two four-lane MIPI camera serial interfaces, each of them can operate up to a maximum bit rate of 1.5 Gbps.  |
| MIPI DSI (four-lane)         | MIPI Display Serial Interface | This module provides a four-lane MIPI display serial interface operating up to a maximum bit rate of 1.5 Gbps.  |
| OCOTP_CTRL                   | OTP Controller                | The On-Chip OTP controller (OCOTP_CTRL) provides an interface for reading, programming, and/or overriding identification and control information stored in on-chip fuse elements. The module supports electrically programmable poly fuses (eFUSES). The OCOTP_CTRL also provides a set of volatile software-accessible signals that can be used for software control of hardware elements, not requiring non volatility. The OCOTP_CTRL provides the primary user-visible mechanism for interfacing with on-chip fuse elements. Among the uses for the fuses are unique chip identifiers, mask revision numbers, cryptographic keys, JTAG secure mode, boot characteristics, and various control signals requiring permanent non volatility. |
| OCRAM                        | On-Chip Memory controller     | The On-Chip Memory controller (OCRAM) module is designed as an interface between the system's AXI bus and the internal (on-chip) SRAM memory module.<br>In i.MX 8M Dual / 8M QuadLite / 8M Quad processors, the OCRAM is used for controlling the 128 KB multimedia RAM through a 64-bit AXI bus.   |
| PCIe1<br>PCIe2               | 2x PCI Express 2.0            | The PCIe IP provides PCI Express Gen 2.0 functionality.   |
| PMU                          | Power Management Unit         | Integrated power management unit. Used to provide power to various SoC domains.   |
| PWM1<br>PWM2<br>PWM3<br>PWM4 | Pulse Width Modulation        | The pulse-width modulator (PWM) has a 16-bit counter and is optimized to generate sound from stored sample audio images. It can also generate tones. It uses 16-bit resolution and a 4x16 data FIFO to generate sound.  |
| QSPI                         | Quad SPI                      | The Quad SPI module acts as an interface to external serial flash devices. This module contains the following features: <ul style="list-style-type: none"> <li>• Flexible sequence engine to support various flash vendor devices</li> <li>• Single pad/Dual pad/Quad pad mode of operation</li> <li>• Single Data Rate/Double Data Rate mode of operation</li> <li>• Parallel Flash mode</li> <li>• DMA support</li> <li>• Memory mapped read access to connected flash devices</li> <li>• Multi master access with priority and flexible and configurable buffer for each master</li> </ul>   |

Table 3. i.MX 8M Dual / 8M QuadLite / 8M Quad modules list (continued)

| Block mnemonic                               | Block name                               | Brief description  |
|--|--|--|
| SAI1<br>SAI2<br>SAI3<br>SAI4<br>SAI5<br>SAI6 | Synchronous Audio Interface              | The SAI module provides a synchronous audio interface (SAI) that supports full duplex serial interfaces with frame synchronization, such as I2S, AC97, TDM, and codec/DSP interfaces.  |
| SDMA   | Smart Direct Memory Access               | The SDMA is a multichannel flexible DMA engine. It helps in maximizing system performance by offloading the various cores in dynamic data routing. It has the following features: <ul style="list-style-type: none"> <li>• Powered by a 16-bit Instruction-Set micro-RISC engine</li> <li>• Multi channel DMA supporting up to 32 time-division multiplexed DMA channels</li> <li>• 48 events with total flexibility to trigger any combination of channels</li> <li>• Memory accesses including linear, FIFO, and 2D addressing</li> <li>• Shared peripherals between Arm and SDMA</li> <li>• Very fast Context-Switching with 2-level priority based preemptive multi tasking</li> <li>• DMA units with auto-flush and prefetch capability</li> <li>• Flexible address management for DMA transfers (increment, decrement, and no address changes on source and destination address)</li> <li>• DMA ports can handle unidirectional and bidirectional flows (Copy mode)</li> <li>• Up to 8-word buffer for configurable burst transfers for EMIv2.5</li> <li>• Support of byte-swapping and CRC calculations</li> <li>• Library of Scripts and API is available</li> </ul> |
| SJC  | Secure JTAG Controller                   | The SJC provides JTAG interface (designed to be compatible with JTAG TAP standards) to internal logic. The i.MX 8M Dual / 8M QuadLite / 8M Quad of processors use JTAG port for production, testing, and system debugging. Additionally, the SJC provides BSR (Boundary Scan Register) standard support and designed to be compatible with IEEE 1149.1.<br>The JTAG port must be accessible during platform initial laboratory bring-up, for manufacturing tests and troubleshooting, as well as for software debugging by authorized entities. The SJC of the i.MX 8M Dual / 8M QuadLite / 8M Quad incorporates three security modes for protecting against unauthorized accesses. Modes are selected through eFUSE configuration.  |
| SNVS   | Secure Non-Volatile Storage              | Secure Non-Volatile Storage, including Secure Real Time Clock, Security State Machine, and Master Key Control.   |
| SPDIF1<br>SPDIF2                             | Sony Philips Digital Interconnect Format | A standard audio file transfer format, developed jointly by the Sony and Phillips corporations. It supports Transmitter and Receiver functionality.  |
| TEMPSENSOR                                   | Temperature Sensor                       | Temperature sensor   |
| TZASC  | Trust-Zone Address Space Controller      | The TZASC (TZC-380 by Arm) provides security address region control functions required for intended application. It is used on the path to the DRAM controller.  |

**Table 3. i.MX 8M Dual / 8M QuadLite / 8M Quad modules list (continued)**

| Block mnemonic                   | Block name   | Brief description  |
|----------------------------------|--|--|
| UART1<br>UART2<br>UART3<br>UART4 | UART Interface   | Each of the UARTv2 modules supports the following serial data transmit/receive protocols and configurations: <ul style="list-style-type: none"> <li>• 7- or 8-bit data words, 1 or 2 stop bits, programmable parity (even, odd, or none)</li> <li>• Programmable baud rates up to 4 Mbps. This is a higher max baud rate relative to the 1.875 MHz, which is stated by the TIA/EIA-232-F standard.</li> <li>• 32-byte FIFO on Tx and 32 half-word FIFO on Rx supporting auto-baud</li> </ul>   |
| uSDHC1<br>uSDHC2                 | SD/MMC and SDXC Enhanced Multi-Media Card / Secure Digital Host Controller | The i.MX 8M Dual / 8M QuadLite / 8M Quad SoC characteristics: All the MMC/SD/SDIO controller IPs are based on the uSDHC IP. They are designed to support: <ul style="list-style-type: none"> <li>• SD/SDIO standard, up to version 3.0.</li> <li>• MMC standard, up to version 5.0.</li> <li>• 1.8 V and 3.3 V operation, but do not support 1.2 V operation.</li> <li>• 1-bit/4-bit SD and SDIO modes, 1-bit/4-bit/8-bit MMC mode.</li> </ul> One uSDHC controller (SD1) can support up to an 8-bit interface, the other controller (SD2) can only support up to a 4-bit interface. |
| USB 3.0/2.0                      | 2x USB 3.0/2.0 controllers and PHYs  | Two USB controllers and PHYs that support USB 3.0 and USB 2.0. Each USB instance contains: <ul style="list-style-type: none"> <li>• USB 3.0 core, which can operate in both 3.0 and 2.0 mode</li> </ul>  |
| VPU                              | Video Processing Unit  | A high performing video processing unit (VPU), which covers many SD-level and HD-level video decoders. See the <i>i.MX 8M Dual / 8M QuadLite / 8M Quad Applications Processor Reference Manual (IMX8MDQLQRM)</i> for a complete list of the VPU's decoding and encoding capabilities.  |
| WDOG1<br>WDOG2<br>WDOG3          | Watchdog   | The watchdog (WDOG) timer supports two comparison points during each counting period. Each of the comparison points is configurable to evoke an interrupt to the Arm core, and a second point evokes an external event on the WDOG line.   |
| XTALOSC                          | Crystal Oscillator interface   | The XTALOSC module enables connectivity to an external crystal oscillator device.  |

## 2.1 Recommended connections for unused interfaces

The recommended connections for unused analog interfaces can be found in the Section, “Unused Input/Output Terminations,” in the hardware development guide for the device.

## 3 Electrical characteristics

This section provides the device and module-level electrical characteristics for the i.MX 8M Dual / 8M QuadLite / 8M Quad processors.

### 3.1 Chip-level conditions

This section provides the device-level electrical characteristics for the IC. See [Table 4](#) for a quick reference to the individual tables and sections.

**Table 4. i.MX 8M Dual / 8M QuadLite / 8M Quad chip-level conditions**

| For these characteristics, ...                      | Topic appears ...          |
|---|----------------------------|
| <a href="#">Absolute maximum ratings</a>            | <a href="#">on page 13</a> |
| <a href="#">FPBGA package thermal resistance</a>    | <a href="#">on page 15</a> |
| <a href="#">Operating ranges</a>                    | <a href="#">on page 18</a> |
| <a href="#">External clock sources</a>              | <a href="#">on page 21</a> |
| <a href="#">Maximum supply currents</a>             | <a href="#">on page 21</a> |
| <a href="#">Power modes</a>                         | <a href="#">on page 23</a> |
| <a href="#">USB PHY Suspend current consumption</a> | <a href="#">on page 25</a> |

#### 3.1.1 Absolute maximum ratings

#### CAUTION

Stresses beyond those listed under [Table 5](#) may affect reliability or cause permanent damage to the device. These are stress ratings only. Functional operation of the device at these or any other conditions beyond those indicated in the operating ranges or parameters tables is not implied.

**Table 5. Absolute maximum ratings**

| Parameter description  | Symbol             | Min  | Max  | Unit | Notes                          |
|------------------------|--------------------|------|------|------|--------------------------------|
| Core supply voltages   | VDD_ARM<br>VDD_SOC | -0.3 | 1.1  | V    | 1.1 V is for VDD_ARM overdrive |
| Power supply for GPU   | VDD_GPU            | -0.3 | 1.1  | V    | 1.1 V is for overdrive         |
| Power supply for VPU   | VDD_VPU            | -0.3 | 1.1  | V    | Nominal mode                   |
|                        |                    | -0.3 | 1.1  | V    | Overdrive mode                 |
| Core voltage           | VDD_DRAM           | -0.3 | 1.05 | V    | —                              |
| DDR I/O supply voltage | NVCC_DRAM          | -0.3 | 1.42 | V    | —                              |

Table 5. Absolute maximum ratings (continued)

| Parameter description                     | Symbol   | Min  | Max                      | Unit | Notes                       |
|---|--|------|--------------------------|------|-----------------------------|
| Power supply for analog domain            | VDDA_1P8   | -0.3 | 1.98                     | V    | —                           |
| GPIO supply voltage                       | NVCC_JTAG, NVCCGPIO1,<br>NVCC_ENT, NVCC_SD1,<br>NVCC_SD2, NVCC_NAND,<br>NVCC_SAI1, NVCC_SAI2,<br>NVCC_SAI3, NVCC_SAI5,<br>NVCC_ECSPi, NVCC_I2C,<br>NVCC_UART | -0.3 | 3.6                      | V    | 1.8 V<br>mode/3.3 V<br>mode |
| SNVS IO supply voltage                    | NVCC_SNVS  | -0.3 | 3.6                      | V    | 3.3 V mode<br>only          |
| VDD_SNVS supply voltage                   | VDD_SNVS   | -0.3 | 0.99                     | V    | —                           |
| PLL 1.8 V supply voltage                  | VDDA_DRAM  | -0.3 | 1.89                     | V    | —                           |
| Supply for 25 MHz crystal                 | VDDA_1P8_XTAL_25M  | -0.3 | 1.98                     | V    | —                           |
| Supply for 27 MHz crystal                 | VDDA_1P8_XTAL_27M  | -0.3 | 1.98                     | V    | —                           |
| HDMI supply voltage                       | HDMI_AVDDCLK   | -0.3 | 0.99                     |      | —                           |
|   | HDMI_AVDDIO  | -0.3 | 1.90                     |      | —                           |
|   | HDMI_AVDDCORE  | -0.3 | 0.99                     |      | —                           |
| PCIe PHY supply voltage                   | PCIE_VP  | -0.3 | 0.99                     | V    | —                           |
|   | PCIE_VPH   | -0.3 | 3.63                     | V    | —                           |
|   | PCIE_VPTX  | -0.3 | 0.99                     | V    | —                           |
| MIPI supply voltage                       | MIPI_VDDA  | -0.3 | 1.1                      | V    | —                           |
|   | MIPI_VDDHA   | -0.3 | 1.98                     | V    | —                           |
|   | MIPI_VDD   | -0.3 | 1.1                      | V    | —                           |
|   | MIPI_VDDPLL  | -0.3 | 1.1                      | V    | —                           |
| USB high supply voltage                   | USB1_VDD33, USB1_VPH,<br>USB2_VDD33, USB2_VPH  | -0.3 | 3.63                     | V    | —                           |
| USB_VBUS input detected                   | USB1_VBUS,<br>USB2_VBUS  | -0.3 | 5.25                     | V    | —                           |
| Input voltage on USB*_DP,<br>USB*_DN pins | USB1_DP/USB1_DN<br>USB2_DP/USB2_DN   | -0.3 | USB1_VDD33<br>USB2_VDD33 | V    | —                           |
| Temperature sensor                        | VDD_1P8_TSENSOR  | -0.3 | 1.98                     | V    | —                           |
| Fuse power                                | EFUSE_VQPS   | -0.3 | 1.98                     | V    | —                           |
| Input/output voltage range                | $V_{in}/V_{out}$   | -0.3 | OVDD <sup>1</sup> +0.3   | V    | —                           |
| Storage temperature range                 | T <sub>STORAGE</sub>   | -40  | 150                      | °C   | —                           |

<sup>1</sup> OVDD is the I/O supply voltage.

Table 6. Electrostatic discharge and latch up ratings

| Parameter description         |   | Rating  | Reference   | Comment |
|-------------------------------|---|---------|-------------|---------|
| Electrostatic Discharge (ESD) | Human Body Model (HBM)  | ±1000 V | JS-001-2017 | —       |
|                               | Charged Device Model (CDM)  | ±250 V  | JS-002-2018 | —       |
| Latch UP (LU)                 | Immunity level:<br><ul style="list-style-type: none"> <li>• Class I @ 25 °C ambient temperature</li> <li>• Class II @ 105 °C ambient temperature</li> </ul> | A<br>A  | JESD78E     | —       |

## 3.1.2 Thermal resistance

### 3.1.2.1 FPBGA package thermal resistance

Table 7 displays the thermal resistance data.

Table 7. Thermal resistance data

| Rating                           | Test conditions  | Symbol          | 17 x 17 pkg value | Unit |
|----------------------------------|--|-----------------|-------------------|------|
| Junction to Ambient <sup>1</sup> | Single-layer board (1s); natural convection <sup>2</sup>   | $R_{\theta JA}$ | Bare die: 16.4    | °C/W |
|                                  | Four-layer board (2s2p); natural convection <sup>2</sup>   | $R_{\theta JA}$ |                   |      |
| Junction to Ambient <sup>1</sup> | Single-layer board (1s); airflow 200 ft/min <sup>2,3</sup> | $R_{\theta JA}$ | Bare die: 13.9    | °C/W |
|                                  | Four-layer board (2s2p); airflow 200 ft/min <sup>2,3</sup> | $R_{\theta JA}$ |                   |      |
| Junction to Board <sup>1,4</sup> | —  | $R_{\theta JB}$ | Bare die: 4.6     | °C/W |
| Junction to Case <sup>1,5</sup>  | —  | $R_{\theta JC}$ | Bare die: 0.1     | °C/W |

<sup>1</sup> Junction temperature is a function of die size, on-chip power dissipation, package thermal resistance, mounting site (board) temperature, ambient temperature, air flow, power dissipation of other components on the board, and board thermal resistance.

<sup>2</sup> Per JEDEC JESD51-2 with the single layer board horizontal. Thermal test board meets JEDEC specification for the specified package.

<sup>3</sup> Per JEDEC JESD51-6 with the board horizontal.

<sup>4</sup> Thermal resistance between the die and the printed circuit board per JEDEC JESD51-8. Board temperature is measured on the top surface of the board near the package.

<sup>5</sup> Thermal resistance between the die and the case top surface as measured by the cold plate method (MIL SPEC-883 Method 1012.1).

## 3.1.3 Power architecture

The power architecture of the chip is defined based on the assumption that PMIC is always used to supply all the power rails to the processor.

The digital logic inside chip will be supplied with four supplies: VDD\_ARM, VDD\_GPU, VDD\_VPU, and VDD\_SOC. They are expected to be directly supplied externally through power pads. The ARM supply is separated with SoC because ARM A53 platform need to support DVFS, e.g., ARM requires 1.0

## Electrical characteristics

V overdrive to run at 1.4 GHz. For any application that only runs ARM core below 1.2 GHz, VDD\_ARM and VDD\_SOC power rails can be connected together and supplied with 0.9 V. VPU/GPU supply is separated with SoC because VPU/GPU might need overdrive to support higher frame rate.

The GPIO pads will have external power supply for 3.3 V and 1.8 V IO voltage. The IO pad core voltage will be supplied directly by VDD\_SOC.

The DRAM controller and PHY have three external power supplies: 0.9 V/1.0 V for controller and PHY digital logic, 1.8 V for PHY analog circuit, and 1.1/1.2/1.35 V for I/O. The DRAM pads will also have VREF supply which is always  $\frac{1}{2}$  of the NVCC\_DRAM. The two DRAM channels will have all their power rails separated, this allows one of the channel to be fully power down when only single channel is used in the application.

For all the integrated analog modules, their 1.8 V power will be supplied externally through power pads. This supply is separated with other power pads to keep them clean.

For all the integrated PCIe PHY, HDMI PHY, MIPI PHY, and USB PHY, their 3.3 V, 1.8 V, and 0.9 V power will be supplied externally through power pads. The powers to those PHYs can be shared to reduce the number of power supplies from the PMIC.

For SNVS/RTC, both the 0.9 V core logic supply and 3.3 V I/O pad supply will also be supplied directly from the PMIC. If the PMIC does not have 0.9 V output, an external LDO can be used to generate the 0.9 V supply from 3.3 V.

There are no integrated LDOs inside the chip.

[Figure 3](#) is the power architecture diagram for the whole chip.



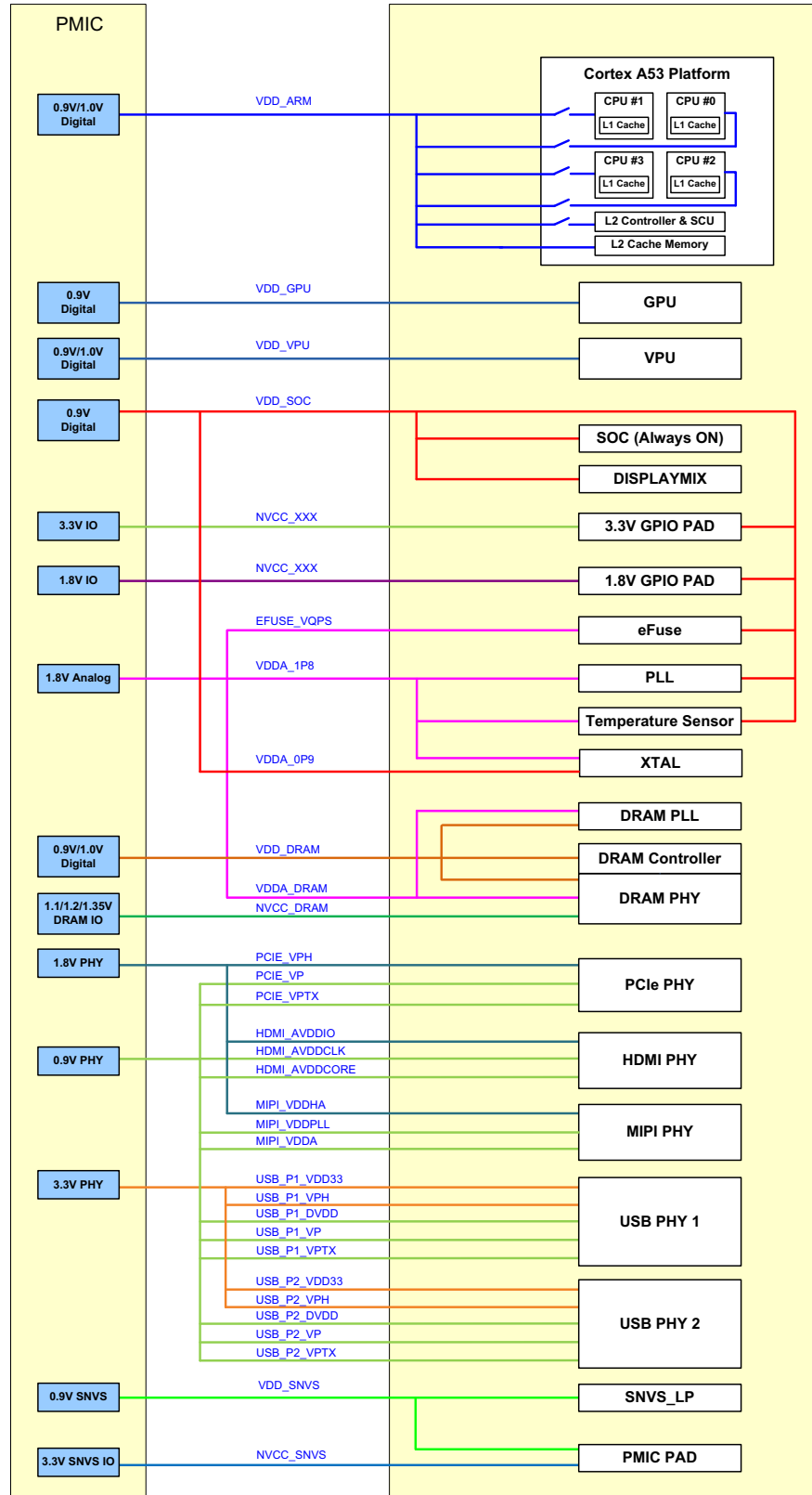


Figure 3. Power architecture

### 3.1.4 Operating ranges

Table 8 provides the operating ranges of the i.MX 8M Dual / 8M QuadLite / 8M Quad processors. For details on the chip's power structure, see the “Power Management Unit (PMU)” chapter of the *i.MX 8M Dual / 8M QuadLite / 8M Quad Applications Processor Reference Manual (IMX8MDQLQRM)*.

**Table 8. Operating ranges**

| Parameter description       | Symbol    | Min  | Typ | Max <sup>1</sup> | Unit | Comment  |
|-----------------------------|-----------|------|-----|------------------|------|--|
| Power supply for Quad-A53   | VDD_ARM   | 0.81 | 0.9 | 1.05             | V    | Nominal mode—the maximum Arm core frequency supported in this mode is 1000 MHz.                                  |
|                             |           | 0.9  | 1.0 | 1.05             | V    | Overdrive mode—the maximum Arm core frequency supported in this mode is defined in Table 2.                      |
| Power supply for SoC logic  | VDD_SOC   | 0.81 | 0.9 | 0.99             | V    | —  |
| Power supply for GPU        | VDD_GPU   | 0.81 | 0.9 | 1.05             | V    | Nominal mode—the maximum GPU frequency supported in this mode is 800 MHz.  |
|                             |           | 0.9  | 1.0 | 1.05             | V    | Overdrive mode—the maximum GPU frequency supported in this mode is 1 GHz.  |
| Power supply for VPU        | VDD_VPU   | 0.81 | 0.9 | 1.05             | V    | Nominal mode—the maximum VPU frequency supported in this mode is 550/500/588 MHz.                                |
|                             |           | 0.9  | 1.0 | 1.05             | V    | Overdrive mode—the maximum VPU G2/G1/AXI Bus frequency supported in this mode is 660/600/800 MHz.                |
| Core voltage                | VDD_DRAM  | 0.81 | 0.9 | 1.05             | V    | Nominal mode—the maximum DRAM working frequency supported in this mode is 933 MHz.                               |
|                             |           | 0.99 | 1.0 | 1.05             | V    | Overdrive mode—the maximum DRAM working frequency supported in this mode is 1600 MHz                             |
| Power Supply Analog Domain  | VDDA_1P8  | 1.62 | 1.8 | 1.98             | V    | Power for internal analog blocks—must match the range of voltages that the rechargeable backup battery supports. |
| PLL 1.8 V supply voltage    | VDDA_DRAM | 1.71 | 1.8 | 1.89             | V    | —  |
| Backup battery supply range | VDD_SNVS  | 0.81 | 0.9 | 0.99             | V    | —  |

Table 8. Operating ranges (continued)

| Parameter description     | Symbol  | Min                     | Typ                    | Max <sup>1</sup>        | Unit | Comment                                    |
|---------------------------|---|-------------------------|------------------------|-------------------------|------|--|
| Supply for 25 MHz crystal | VDD_1P8_XTAL_25M  | 1.6                     | 1.8                    | 1.98                    | V    | —  |
| Supply for 27 MHz crystal | VDD_1P8_XTAL_27M  | 1.6                     | 1.8                    | 1.98                    | V    | —  |
| Temperature sensor        | VDD_1P8_TSENSOR   | 1.6                     | 1.8                    | 1.98                    | V    | —  |
| USB supply voltages       | USB1_VDD33/<br>USB1_VPH   | 3.069                   | 3.3                    | 3.63                    | V    | This rail is for USB                       |
|                           | USB2_VDD33/<br>USB2_VPH   | 3.069                   | 3.3                    | 3.63                    | V    | This rail is for USB                       |
|                           | USB1/2_DVDD   | 0.837                   | 0.900                  | 0.990                   | V    | 0.9 V supply for USB high speed operation  |
|                           | USB1/2_VP   | 0.837                   | 0.900                  | 0.990                   | V    | 0.9 V supply for USB super speed operation |
|                           | USB1/2_VPTX   | 0.837                   | 0.900                  | 0.990                   | V    | 0.9 V supply for PHY transmit              |
|                           | USB1_VBUS/<br>USB2_VBUS   | 0.8                     | 1.4                    | 5.25                    | V    | —  |
| DDR I/O supply voltage    | NVCC_DRAM   | 1.06                    | 1.10                   | 1.17                    | V    | LPDDR4                                     |
|                           |   | 1.14                    | 1.2                    | 1.26                    | V    | DDR4                                       |
|                           |   | 1.28                    | 1.35                   | 1.42                    | V    | DDR3L                                      |
|                           | DRAM_VREF   | 0.49 x<br>NVCC_D<br>RAM | 0.5 x<br>NVCC_D<br>RAM | 0.51 x<br>NVCC_D<br>RAM | V    | Set to one-half NVCC_DRAM                  |
| GPIO supply voltages      | NVCC_JTAG,<br>NVCC_SD1,<br>NVCC_SD2,<br>NVCC_NAND,<br>NVCC_SAI1,<br>NVCC_SAI2,<br>NVCC_SAI3,<br>NVCC_SAI5,<br>NVCC_ECSPi,<br>NVCC_I2C,<br>NVCC_UART | 1.65,<br>3.0            | 1.8,<br>3.3            | 1.95,<br>3.6            | V    | —  |
|                           | NVCC_ENET   | 1.65,<br>2.25<br>3.0    | 1.8,<br>2.5<br>3.3     | 1.95,<br>2.75<br>3.6    | V    | —  |
|                           | NVCC_GPIO1  | 1.65<br>3.0             | 1.8,<br>3.3            | 1.95,<br>3.6            | V    | Power for GPIO1_IO00 ~<br>GPIO1_IO15       |
|                           | NVCC_SNV5   | 3.0                     | 3.3                    | 3.6                     | V    | Power for 3.3 V only                       |

Table 8. Operating ranges (continued)

| Parameter description                    | Symbol             | Min   | Typ     | Max <sup>1</sup> | Unit | Comment   |
|--|--------------------|-------|---------|------------------|------|---|
| HDMI supply voltage                      | HDMI_AVDDCLK       | 0.850 | 0.900   | 0.990            | V    | 0.9 V supply for HDMI high speed clock                              |
|  | HDMI_AVDDIO        | 1.700 | 1.800   | 1.900            | V    | 1.8 V supply for HDMI bias and PLL                                  |
|  | HDMI_AVDDCORE      | 0.850 | 0.900   | 0.990            | V    | 0.9 V supply for HDMI analog  |
| MIPI supply voltage                      | MIPI_VDDA          | 0.81  | 0.9/1.0 | 1.1              | V    | Analog core power supply  |
|  | MIPI_VDDHA         | 1.62  | 1.8     | 1.98             | V    | Analog IO power supply  |
|  | MIPI_VDD           | 0.81  | 0.9/1.0 | 1.1              | V    | Digital core power supply   |
|  | MIPI_VDDPLL        | 0.81  | 0.9/1.0 | 1.1              | V    | Analog supply for MIPI PLL  |
| Voltage rails supplied for 1.8 V PHY     | PCIE_VPH           | 1.674 | 1.8     | 1.98             | V    | SetPCIE1/2_VREG_BYPASS = 1 to bypass internal regulator             |
|  |                    | 3.069 | 3.3     | 3.63             | V    | SetPCIE1/2_VREG_BYPASS = 0 to use internal regulator                |
|  | PCIE_VP, PCIE_VPTX | 0.837 | 0.9     | 0.99             | V    | Supplied from PMIC  |
| Temperature sensor accuracy <sup>2</sup> | T <sub>delta</sub> | —     | ±3      | —                | °C   | Typical accuracy over the range 0°C to 95°C                         |
| Fuse power                               | EFUSE_VQPS         | 1.71  | 1.8     | 1.98             | V    | Power supply for internal use                                       |
| Junction temperature, consumer           | T <sub>J</sub>     | 0     | —       | +95              | °C   | See Table 2 for complete list of junction temperature capabilities. |

<sup>1</sup> Applying the maximum voltage results in maximum power consumption and heat generation. A voltage set point = (V<sub>min</sub> + the supply tolerance) is recommended. This result in an optimized power/speed ratio.

<sup>2</sup> For consumer products, the operating range (including system boot) of temperature sensor is from 0°C to 95°C. Otherwise, it may cause a misleading out-of-range indication.

### 3.1.5 External clock sources

A 25 MHz oscillator is used as the primary clock source for the PLLs to generate the clock for CPU, BUS, and high-speed interfaces. For fractional PLLs, the 25 MHz clock from the oscillator can be directly used as the PLL reference clock.

A 27 MHz oscillator is used as the reference clock for HDMI PHY. Also it can be used as the alternative source for the fractional PLLs.

A 32 kHz clock input pin is used as the RTC clock source. It is expected to be supplied by an external 32.768 kHz oscillator.

Two pairs of differential clock inputs, named as CLK1P and CLK1N, can be used as the reference clock for the PLL. This is mainly used for a high-speed clock input during testing.

Four clock inputs to the CCM from normal GPIO pads via IOMUX can be used as the clock sources in the CCM.

Table 9 shows the interface frequency requirements.

**Table 9. External input clock frequency**

| Parameter description            | Symbol     | Min | Typ                 | Max | Unit |
|----------------------------------|------------|-----|---------------------|-----|------|
| RTC <sup>1,2</sup>               | $f_{ckil}$ | —   | 32.768 <sup>3</sup> | —   | kHz  |
| XTALI_25M/XTALO_25M <sup>2</sup> | $f_{xtal}$ | 20  | 25                  | 40  | MHz  |
| XTALI_27M/XTALO_27M <sup>2</sup> | $f_{xtal}$ | 20  | 27                  | 40  | MHz  |

<sup>1</sup> External oscillator or a crystal with internal oscillator amplifier.

<sup>2</sup> The required frequency stability of this clock source is application dependent.

<sup>3</sup> Recommended nominal frequency 32.768 kHz.

The typical values shown in Table 9 are required for use with NXP BSPs to ensure precise time keeping and USB operation. For RTC operation, two clock sources are available. The decision of choosing a clock source should be made based on real-time clock use and precision timeout.

### 3.1.6 Maximum supply currents

Power consumption is highly dependent on the application. Estimating the maximum supply currents required for power supply design is difficult because the use cases that requires maximum supply current is not a realistic use cases.

To help illustrate the effect of the application on power consumption, data was collected while running consumer standard benchmarks that are designed to be compute and graphic intensive. The results provided are intended to be used as guidelines for power supply design.

**Table 10. Maximum supply currents<sup>1</sup>**

| Power rail | Max current               | Unit |
|------------|---------------------------|------|
| VDD_ARM    | 384 to 2410 <sup>1</sup>  | mA   |
| VDD_SOC    | 1400 to 1870 <sup>1</sup> | mA   |
| VDD_GPU    | 0 to 2040 <sup>1</sup>    | mA   |
| VDD_VPU    | 0 to 610 <sup>1</sup>     | mA   |
| VDD_DRAM   | 600 to 870 <sup>1</sup>   | mA   |
| VDDA_0P9   | 50                        | mA   |
| VDDA_1P8   | 20                        | mA   |
| VDDA_DRAM  | 30                        | mA   |
| VDD_SNVS   | 5                         | mA   |
| NVCC_SNVS  | 5                         | mA   |

Electrical characteristics

Table 10. Maximum supply currents<sup>1</sup> (continued)

| Power rail         | Max current  | Unit |
|--------------------|--|------|
| NVCC_<XXX>         | $I_{max} = N \times C \times V \times (0.5 \times F)$<br>Where:<br>N—Number of IO pins supplied by the power line<br>C—Equivalent external capacitive load<br>V—IO voltage<br>(0.5 x F)—Data change rate. Up to 0.5 of the clock rate (F).<br>In this equation, $I_{max}$ is in Amps, C in Farads, V in Volts, and F in Hertz. |      |
| NVCC_DRAM          | 375 to 750 <sup>1</sup>  | mA   |
| DRAM_VFEF          | 10   | mA   |
| USB1_DVDD          | 9.2  | mA   |
| USB2_DVDD          | 9.2  | mA   |
| USB1_VP            | 35.7   | mA   |
| USB2_VP            | 35.7   | mA   |
| USB1_VPTX          | 21.2   | mA   |
| USB2_VPTX          | 21.2   | mA   |
| USB1_VDD33         | 24.5   | mA   |
| USB2_VDD33         | 24.5   | mA   |
| USB1_VPH           | 20.3   | mA   |
| USB2_VPH           | 20.3   | mA   |
| PCIE_VP (PCIE1)    | 38.1   | mA   |
| PCIE_VP (PCIE2)    | 38.1   | mA   |
| PCIE_VPH (PCIE1)   | 43   | mA   |
| PCIE_VPH (PCIE2)   | 43   | mA   |
| PCIE_VPTX (PCIE1)  | 14.3   | mA   |
| PCIE_VPTX (PCIE2)  | 14.3   | mA   |
| HDMI_AVDDCLK       | 95.89  | mA   |
| HDMI_AVDDCORE      |  |      |
| HDMI_AVDDIO        | 6.551  | mA   |
| MIPI_VDDA (DSI)    | 17.1   | mA   |
| MIPI_VDDHA (DSI)   | 4.2  | mA   |
| MIPI_VDD (DSI)     | 14.4   | mA   |
| MIPI_VDDPLL (DSI)  | 3.8  | mA   |
| MIPI_VDDA (CSI1/2) | 18.79  | mA   |

Table 10. Maximum supply currents<sup>1</sup> (continued)

| Power rail          | Max current | Unit |
|---------------------|-------------|------|
| MIPI_VDDHA (CSI1/2) | 2.97        | mA   |
| EFUSE_VQPS          | 96.35       | mA   |

<sup>1</sup> Use case dependent

### 3.1.7 Power modes

The i.MX 8M Dual / 8M QuadLite / 8M Quad processors support the following power modes:

- **RUN Mode:** All external power rails are on, CPU is active and running; other internal modules can be on/off based on application.
- **IDLE Mode:** When there is no thread running and all high-speed devices are not active, the CPU can automatically enter this mode. The CPU can be in the power-gated state but with L2 data retained, DRAM and the bus clock are reduced. Most of the internal logic is clock gated but still remains powered. The M4 core can remain running. Compared with RUN mode, all the external power rails from the PMIC remain the same, and most of the modules still remain in their state.
- **Deep Sleep Mode (DSM):** The most efficient power saving mode where all the clocks are off and all the unnecessary power supplies are off.
- **SNVS Mode:** This mode is also called RTC mode. Only the power for the SNVS domain remains on to keep RTC and SNVS logic alive.
- **OFF Mode:** All power rails are off.

Table 11. Chip power in different LP mode

| Mode                  | Supply             | Max. <sup>1</sup> | Unit |
|-----------------------|--------------------|-------------------|------|
| SNVS                  | VDD_SNVS (1.0 V)   | 1.39              | mA   |
|                       | NVCC_SNVS (3.6 V)  | 4.25              |      |
|                       | Total <sup>2</sup> | 17                | mW   |
| Deep Sleep Mode (DSM) | VDD_SOC (1.0 V)    | 148.50            | mA   |
|                       | VDDA_1P8 (2.0 V)   | 12.82             |      |
|                       | VDDA_0P9 (1.0 V)   | 0.30              |      |
|                       | VDDA_DRAM (1.8 V)  | 0.50              |      |
|                       | VDD_SNVS (1.0 V)   | 0.25              |      |
|                       | NVCC_SNVS (3.3 V)  | 4.80              |      |
|                       | NVCC_DRAM (1.17 V) | 4.51              |      |
|                       | Total <sup>2</sup> | 197               | mW   |

Table 11. Chip power in different LP mode (continued)

| Mode | Supply             | Max. <sup>1</sup> | Unit |
|------|--------------------|-------------------|------|
| IDLE | VDD_ARM (1.0 V)    | 152.10            | mA   |
|      | VDD_SOC (1.0 V)    | 132.90            |      |
|      | VDD_DRAM (1.0 V)   | 44.10             |      |
|      | VDDA_1P8 (2.0 V)   | 13.53             |      |
|      | VDDA_0P9 (1.0 V)   | 0.30              |      |
|      | VDDA_DRAM (1.8 V)  | 1.32              |      |
|      | VDD_SNVS (1.0 V)   | 0.25              |      |
|      | NVCC_SNVS (3.3 V)  | 4.34              |      |
|      | NVCC_DRAM (1.17 V) | 13.12             |      |
|      | Total <sup>2</sup> | 389               | mW   |
| RUN  | Total              | 1 to 4            | W    |

<sup>1</sup> All the power numbers defined in the table are based on typical silicon at 25°C. Use case dependent

<sup>2</sup> Sum of the listed supply rails.

Table 12 summarizes the external power supply states in all the power modes.

Table 12. The power supply states

| Power rail | OFF | SNVS | SUSPEND | IDLE | RUN    |
|------------|-----|------|---------|------|--------|
| VDD_ARM    | OFF | OFF  | OFF     | ON   | ON     |
| VDD_SOC    | OFF | OFF  | ON      | ON   | ON     |
| VDD_GPU    | OFF | OFF  | OFF     | OFF  | ON/OFF |
| VDD_VPU    | OFF | OFF  | OFF     | OFF  | ON/OFF |
| VDD_DRAM   | OFF | OFF  | OFF     | ON   | ON     |
| VDDA_0P9   | OFF | OFF  | ON      | ON   | ON     |
| VDDA_1P8   | OFF | OFF  | ON      | ON   | ON     |
| VDDA_DRAM  | OFF | OFF  | ON      | ON   | ON     |
| VDD_SNVS   | OFF | ON   | ON      | ON   | ON     |
| NVCC_SNVS  | OFF | ON   | ON      | ON   | ON     |
| NVCC_<XXX> | OFF | OFF  | ON      | ON   | ON     |
| NVCC_DRAM  | OFF | OFF  | ON      | ON   | ON     |
| DRAM_VREF  | OFF | OFF  | OFF     | ON   | ON     |



### 3.1.8 USB PHY Suspend current consumption

#### 3.1.8.1 Low power Suspend Mode

The VBUS Valid comparators and their associated bandgap circuits are enabled by default. Table 13 shows the USB interface current consumption in Suspend mode with default settings.

**Table 13. USB PHY current consumption in Suspend mode<sup>1</sup>**

|                | USB1_VDD33  | USB2_VDD33  |
|----------------|-------------|-------------|
| <b>Current</b> | 154 $\mu$ A | 154 $\mu$ A |

<sup>1</sup> Low Power Suspend is enabled by setting USBx\_PORTSC1 [PHCD]=1 [Clock Disable (PLPSCD)].

#### 3.1.8.2 Power-Down modes

Table 14 shows the USB interface current consumption with only the OTG block powered down.

**Table 14. USB PHY current consumption in Sleep mode<sup>1</sup>**

|                | USB1_VDD33  | USB2_VDD33  |
|----------------|-------------|-------------|
| <b>Current</b> | 520 $\mu$ A | 520 $\mu$ A |

<sup>1</sup> VBUS Valid comparators can be disabled through software by setting USBNC\_OTG\*\_PHY\_CFG2[OTGDISABLE0] to 1. This signal powers down only the VBUS Valid comparator, and does not control power to the Session Valid Comparator, ADP Probe and Sense comparators, or ID detection circuitry.

In Power-Down mode, everything is powered down, including the USB\_VBUS valid comparators and their associated bandgap circuitry in typical condition. Table 15 shows the USB interface current consumption in Power-Down mode.

**Table 15. USB PHY current consumption in Power-Down mode<sup>1</sup>**

|                | USB1_VDD33  | USB2_VDD33  |
|----------------|-------------|-------------|
| <b>Current</b> | 146 $\mu$ A | 146 $\mu$ A |

<sup>1</sup> The VBUS Valid Comparators and their associated bandgap circuits can be disabled through software by setting USBNC\_OTG\*\_PHY\_CFG2[OTGDISABLE0] to 1 and USBNC\_OTG\*\_PHY\_CFG2[DRVVBUS0] to 0, respectively.

### 3.1.9 PCIe PHY 2.1 DC electrical characteristics

**Table 16. PCIe recommended operating conditions**

| Parameter | Description                            | Min | Max   | Unit |
|-----------|--|-----|-------|------|
| PCIE_VP   | Low Power Supply Voltage for PHY Core  | —   | 0.837 | V    |
| PCIE_VPTX | PHY transmit supply                    | —   | 0.837 |      |
| PCIE_VPH  | High Power Supply Voltage for PHY Core | 1.8 | 1.674 |      |
|           |  | 3.3 | 3.069 |      |

## Electrical characteristics

**Table 16. PCIe recommended operating conditions (continued)**

| Parameter      | Description                           | Min | Max | Unit |
|----------------|---------------------------------------|-----|-----|------|
| T <sub>A</sub> | Commercial Temperature Range          | 0   | 70  | °C   |
| T <sub>J</sub> | Simulation Junction Temperature Range | -40 | 125 | °C   |

**Note:** V<sub>DD</sub> should have no more than 40 mVpp AC power supply noise superimposed on the high power supply voltage for the PHY core (1.8 V nominal DC value). At the same time, VDD should have no more than 20 mVpp AC power supply noise superimposed on the low power supply voltage for the PHY core (1.0 V nominal value or 1.1 V overdrive DC value). The power supply voltage variation for the PHY core should have less than ±5% including the board-level power supply variation and on-chip power supply variation due to the finite impedances in the package.

**Table 17. PCIe DC electrical characteristics**

| Parameter          | Description          | Min            | Typ | Max       | Unit |    |
|--------------------|----------------------|----------------|-----|-----------|------|----|
| PCIE1_VP, PCIE2_VP | Power Supply Voltage | 0.9 - 7%       | 0.9 | 0.9 + 10% | V    |    |
| PD                 | Power Consumption    | Normal         | —   | 40        | —    | mW |
|                    |                      | Partial Mode   | —   | 27        | —    | mW |
|                    |                      | Slumber Mode   | —   | 7         | —    | mW |
|                    |                      | Full Powerdown | —   | 0.2       | —    | mW |

**Table 18. PCIe PHY high-speed characteristics**

| High Speed I/O Characteristics                      |                     |          |      |      |      |           |
|---|---------------------|----------|------|------|------|-----------|
| Description   | Symbol              | Speed    | Min. | Typ. | Max. | Unit      |
| Unit Interval                                       | UI                  | 2.5 Gbps | —    | 400  | —    | ps        |
|   |                     | 5.0 Gbps | —    | 200  | —    |           |
| TX Serial output rise time (20% to 80%)             | T <sub>TXRISE</sub> | 2.5 Gbps | 100  | —    | —    | ps        |
|   |                     | 5.0 Gbps | 100  | —    | —    |           |
| TX Serial output fall time (80% to 20%)             | T <sub>TXFALL</sub> | 2.5 Gbps | 100  | —    | —    | ps        |
|   |                     | 5.0 Gbps | 100  | —    | —    |           |
| TX Serial data output voltage (Differential, pk-pk) | ΔV <sub>TX</sub>    | 2.5 Gbps | 800  | —    | 1100 | mVp-p     |
|   |                     | 5.0 Gbps | 600  | —    | 900  |           |
| PCIe Tx deterministic jitter < 1.5 MHz              | TRJ                 | 2.5 Gbps | 3    | —    | —    | ps, rms   |
|   |                     | 5.0 Gbps | 3    | —    | —    |           |
| PCIe Tx deterministic jitter > 1.5 MHz              | TDJ                 | 2.5 Gbps | —    | —    | 20   | ps, pk-pk |
|   |                     | 5.0 Gbps | —    | —    | 10   |           |

Table 18. PCIe PHY high-speed characteristics (continued)

| High Speed I/O Characteristics                    |                 |          |      |      |      |       |
|---|-----------------|----------|------|------|------|-------|
| Description                                       | Symbol          | Speed    | Min. | Typ. | Max. | Unit  |
| RX Serial data input voltage (Differential pk-pk) | $\Delta V_{RX}$ | 2.5 Gbps | 120  | —    | 1200 | mVp-p |
|   |                 | 5.0 Gbps | 120  | —    | 1200 |       |

Table 19. PCIe PHY reference clock timing requirements (vp is PIE\_VP, 0.9 V power supply)

| Symbol       | Parameter                             | Min.     | Typ. | Max.     | Unit            | Condition                      |
|--------------|---------------------------------------|----------|------|----------|-----------------|--------------------------------|
| FREF_OFFSET  | Reference clock frequency offset      | -300     | —    | 30       | ppm             | —                              |
| DJREF_CLK    | Reference clock cycle to cycle jitter | —        | —    | 35       | ps              | DJ across all frequencies      |
| DCREF_CLK    | Duty cycle                            | 40       | —    | 60       | %               | —                              |
| VCMREF_CLK   | Common mode input level               | 0        | —    | vp       | V               | Differential inputs            |
| VDREF_CLK    | Differential input swing              | -0.3     | —    | —        | V <sub>PP</sub> | Differential inputs            |
| VOLREF_CLK   | Single-ended input logic low          | -0.3     | —    | -0.3     | V               | If single-ended input is used. |
| VOHREF_CLK   | Single-ended input logic high         | vp - 0.3 | —    | vp + 0.3 | V               | If single-ended input is used. |
| SWREF_CLK    | Input edge rate                       | —        | —    | —        | V/ns            | —                              |
| REF_CLK_SKEW | Reference clock skew ( $\pm$ )        | —        | —    | 200      | ps              | —                              |

PCIe PHY interface is compliant with PCIe Express GEN2.

## 3.2 Power supplies requirements and restrictions

The system design must comply with power-up sequence, power-down sequence, and steady state guidelines as described in this section to guarantee the reliable operation of the device. Any deviation from these sequences may result in the following situations:

- Excessive current during power-up phase
- Prevention of the device from booting
- Irreversible damage to the processor (worst-case scenario)

### 3.2.1 Power-up sequence

The i.MX 8M Dual / 8M QuadLite / 8M Quad processors have the following power-up sequence requirements:

- Turn on NVCC\_SNVS
- Turn on VDD\_SNVS
- RTC\_RESET\_B release (after 32K clock stable and before POR\_B release, no constraint with any other power supplies)

## Electrical characteristics

- Turn on VDD\_SOC and VDDA\_0P9
- Turn on VDD\_ARM, VDD\_GPU, VDD\_VPU, and VDD\_DRAM (no sequence between these four rails)
- Turn on VDDA\_1P8\_XXX, VDDA\_DRAM (no sequence between these rails)
- Turn on NVCC\_XXX and NVCC\_DRAM (no sequence between these rails)
- POR\_B release (it should be asserted during the entire power up sequence)

If the GPU/VPU is not used during the ROM boot sequence, VDD\_GPU/VDD\_VPU can stay off to reduce the power during boot, and then turned on by software afterwards.

During the chip power up, the power of the PCIe PHY, USB PHY, HDMI PHY, and MIPI PHY could stay off. After chip power up, the power of these PHYs should be turned on. If any of the PHY power are turned on during the power up sequence, the POR\_B can be released after the PHY power is stable.

### 3.2.2 Power-down sequence

The i.MX 8M Dual / 8M QuadLite / 8M Quad processors have the following power-down sequence requirements:

- Turn off NVCC\_SNVS and VDD\_SNVS last
- Turn off VDD\_SOC after the other power rails or at the same time as other rails
- No sequence for other power rails during power down

### 3.2.3 Power supplies usage

I/O pins should not be externally driven while the I/O power supply for the pin (NVCC\_XXX) is OFF. This can cause internal latch-up and malfunctions due to reverse current flows. For information about the I/O power supply of each pin, see “Power Rail” columns in the pin list tables of [Section 5, Package information and contact assignments.](#)”

[Table 20](#) lists the modules in each power domain.

**Table 20. The modules in the power domains**

| Power Domain | Modules in the domain   |
|--------------|-------------------------|
| VDD_ARM      | Arm A53                 |
| VDD_GPU      | GC7000L GPU             |
| VDD_VPU      | G1 and G2 VPU           |
| VDD_DRAM     | DRAM controller and PHY |
| VDD_SNVS     | SNVS_LP                 |
| VDD_SOC      | All the other modules   |

### 3.3 PLL electrical characteristics

Table 21. PLL electrical parameters

| PLL type   | Parameter          | Value                                    |
|------------|--------------------|--|
| AUDIO_PLL1 | Clock output range | 650 MHz ~ 1.3 GHz                        |
|            | Reference clock    | 25 MHz                                   |
|            | Lock time          | 50 $\mu$ s                               |
|            | Jitter             | $\pm 1\%$ of output period, $\geq 50$ ps |
| AUDIO_PLL2 | Clock output range | 650 MHz ~ 1.3 GHz                        |
|            | Reference clock    | 25 MHz                                   |
|            | Lock time          | 50 $\mu$ s                               |
|            | Jitter             | $\pm 1\%$ of output period, $\geq 50$ ps |
| VIDEO_PLL1 | Clock output range | 650 MHz ~ 1.3 GHz                        |
|            | Reference clock    | 25 MHz                                   |
|            | Lock time          | 50 $\mu$ s                               |
| VIDEO_PLL2 | Clock output range | 650 MHz ~ 1.3 GHz                        |
|            | Reference clock    | 25 MHz                                   |
|            | Lock time          | 70 $\mu$ s                               |
| SYS_PLL1   | Clock output range | 800 MHz                                  |
|            | Reference clock    | 25 MHz                                   |
|            | Lock time          | 70 $\mu$ s                               |
| SYS_PLL2   | Clock output range | 1 GHz                                    |
|            | Reference clock    | 25 MHz                                   |
|            | Lock time          | 70 $\mu$ s                               |
| SYS_PLL3   | Clock output range | 600 MHz ~ 1GHz                           |
|            | Reference clock    | 25 MHz                                   |
|            | Lock time          | 70 $\mu$ s                               |
| ARM_PLL    | Clock output range | 800 MHz ~ 1.6 GHz                        |
|            | Reference clock    | 25 MHz                                   |
|            | Lock time          | 50 $\mu$ s                               |
| DRAM_PLL   | Clock output range | 400 MHz–800 MHz                          |
|            | Reference clock    | 25 MHz                                   |
|            | Lock time          | 70 $\mu$ s                               |

Table 21. PLL electrical parameters (continued)

| PLL type | Parameter          | Value             |
|----------|--------------------|-------------------|
| GPU_PLL  | Clock output range | 800 MHz ~1.6 GHz  |
|          | Reference clock    | 25 MHz            |
|          | Lock time          | 50 $\mu$ s        |
| VPU_PLL  | Clock output range | 400 MHz ~ 800 MHz |
|          | Reference clock    | 25 MHz            |
|          | Lock time          | 50 $\mu$ s        |

### 3.4 On-chip oscillators

#### 3.4.1 OSC25M and OSC27M

A 25 MHz oscillator is used as the primary clock source for the PLLs to generate the clock for the CPU, BUS, and high-speed interfaces. For fractional PLLs, the 25 MHz clock from the oscillator can be used as the PLL reference clock directly.

A 27 MHz oscillator is used as the reference clock for HDMI PHY. It can also be used as the alternative source for the fractional PLLs.

Table 22 lists the electrical specifications of this oscillator when loaded with an NX5032GA 40 MHz crystal unit at 40 MHz frequency. All values are valid only for the device TJ operating specification of -40 °C to 125 °C.

Table 22. Electrical specification of oscillator @ 1.8 V

| Parameter   | Min | Typ | Max | Unit |
|---|-----|-----|-----|------|
| Voltage swing on external pin <sup>1</sup>                                | 250 | —   | 800 | mV   |
| Power consumption (analog supply RMS current in OSC mode) <sup>2, 3</sup> | —   | —   | 4   | mA   |
| Start-up time <sup>1, 2</sup>   | —   | —   | 2   | ms   |

<sup>1</sup> The start-up time is dependent upon crystal characteristics, board leakage, etc.; high ESR and excessive capacitive loads can cause long start-up time.

<sup>2</sup> Electrical parameters are subject to change.

<sup>3</sup> Maximum current is observed during startup. After oscillation is stable, the current from HV supply comes down.

Table 23 shows the transconductance specification of the oscillator (in mA/V).

**Table 23. Transconductance specification of oscillator**

| GM_sel | Min | Max |
|--------|-----|-----|
| 111    | 10  | 25  |

Table 24 shows the input clock specifications.

**Table 24. Input clock specification**

| Parameter                                 | Min   | Typ | Max   | Unit |
|---|-------|-----|-------|------|
| Clock Frequency in OSC mode               | 20    | —   | 40    | MHz  |
| Input Clock Frequency in Bypass mode      | —     | —   | 50    | MHz  |
| Input Clock Rise/Fall Time in Bypass mode | —     | —   | 1     | ns   |
| Input Clock Duty Cycle in Bypass mode     | 47.50 | 50  | 52.50 | %    |

Table 25 shows core output clock specification.

**Table 25. Core output clock specification**

| Parameter                                  | Min | Typ | Max | Unit |
|--|-----|-----|-----|------|
| Output Clock Frequency in OSC mode         | 20  | —   | 40  | MHz  |
| Output Clock Duty Cycle in OSC mode        | 45  | 50  | 55  | %    |
| Output Clock Frequency in Bypass mode      | —   | —   | 50  | MHz  |
| Capacitive Loading on Outputs Clock        | —   | 150 | 500 | fF   |
| Output Clock Rise/Fall Time in Bypass mode | —   | 0.1 | 0.5 | ns   |
| Output Clock Duty Cycle in Bypass mode     | 40  | 50  | 60  | %    |

Table 26 shows VIL/VIH specification at EXTAL.

**Table 26. Transconductance specification of oscillator**

| Parameter             | Condition   | Min                    | Max                    | Unit |
|-----------------------|---|------------------------|------------------------|------|
| V <sub>I</sub> EXTAL  | V <sub>REF</sub> = 0.5 x avdd<br>(xosc HV supply) | 0                      | V <sub>REF</sub> - 0.5 | V    |
| V <sub>I</sub> HEXTAL |   | V <sub>REF</sub> + 0.5 | avdd                   |      |

### 3.5 I/O DC parameters

This section includes the DC parameters of the following I/O types:

- General Purpose I/O (GPIO)
- Double Data Rate I/O (DDR) for LPDDR4, DDR4, and DDR3L modes
- Differential I/O (CLKx)

#### 3.5.1 General purpose I/O (GPIO) DC parameters

Table 27 shows DC parameters for GPIO pads. The parameters in Table 27 are guaranteed per the operating ranges in Table 8, unless otherwise noted.

Table 27. GPIO DC parameters

| Parameter                             | Symbol                      | Test Conditions   | Min                                 | Typ  | Max                        | Unit      |
|---------------------------------------|-----------------------------|---|-------------------------------------|------|----------------------------|-----------|
| High-level output voltage             | $V_{OH(1.8V)}$              | Min $V_{DD}$ ,<br>$I_{OH} = -100 \mu A$ ,<br>$I_{OH} = -2 \text{ mA}$ | $V_{DD} - 0.2$ ,<br>$V_{DD} - 0.45$ | —    | —                          | V         |
|                                       | $V_{OH(3.3V)}$              |   | $V_{DD} - 0.2$<br>2.4               | —    | —                          | V         |
| Low-level output voltage              | $V_{OL(1.8V)}$              | Min $V_{DD}$ ,<br>$I_{OH} = 100 \mu A$ ,<br>$I_{OH} = 3 \text{ mA}$   | —                                   | —    | 0.2<br>$0.2 \times V_{DD}$ | V         |
|                                       | $V_{OL(3.3V)}$              |   | —                                   | —    | 0.2<br>0.4                 | V         |
| High-level input voltage              | $V_{IH(1.8V)}$              | $ipp\_lvttl\_en = 0$  | $0.7 \times V_{DD}$                 | —    | $V_{DD}$                   | V         |
|                                       | $V_{IH(3.3V)}$              | $ipp\_lvttl\_en = 1$  | 2                                   | —    | $V_{DD}$                   | V         |
|                                       | $V_{IH\_1VCOMS}$<br>(3.3 V) | $ipp\_lvttl\_en = 0$  | $0.7 \times V_{DD}$                 | —    | $V_{DD}$                   | V         |
| Low-level input voltage               | $V_{IL(1.8V)}$              | $ipp\_lvttl\_en = 0$  | 0                                   | —    | $0.2 \times V_{DD}$        | V         |
|                                       | $V_{IL\_emmc}$<br>(1.8 V)   | $ipp\_lvttl\_en = 0$  | 0                                   | —    | $0.35 \times V_{DD}$       | V         |
|                                       | $V_{IL(3.3V)}$              | $ipp\_lvttl\_en = 1$  | 0                                   | —    | 0.8                        | V         |
|                                       | $V_{IL\_emmc}$<br>(3.3 V)   | $ipp\_lvttl\_en = 0$  | 0                                   | —    | $0.25 \times V_{DD}$       | V         |
|                                       | $V_{IL\_1vcmos}$<br>(3.3 V) | $ipp\_lvttl\_en = 0$  | 0                                   | —    | $0.2 \times V_{DD}$        | V         |
| Input hysteresis                      | $V_{HYS(1.8V)}$             | $ipp\_hys = 1$  | —                                   | 0.15 | —                          | V         |
|                                       | $V_{HYS(3.3V)}$             | $ipp\_hys = 1$  | —                                   | 0.2  | —                          | V         |
| Pull-up resistor                      | —                           | —   | $30 \times 0.75$                    | 30   | $30 \times 1.25$           | $K\Omega$ |
| Pull-down resistor                    | —                           | —   | $95 \times 0.75$                    | 95   | $95 \times 1.25$           | $K\Omega$ |
| High level input current <sup>1</sup> | $I_{IH}$                    | —   | -50                                 | —    | 50                         | $\mu A$   |
| Low level input current <sup>1</sup>  | $I_{IL}$                    | —   | -50                                 | —    | 50                         | $\mu A$   |



<sup>1</sup> The leakage limit for the following pins: HDMI\_TX (several) is  $\pm 200 \mu\text{A}$ ; HDMI\_AUX\_N/P is  $\pm 65 \mu\text{A}$ ; PMIC\_ON\_REQ is  $\pm 60 \mu\text{A}$ ; PMIC\_STBY\_REQ is  $\pm 80 \mu\text{A}$ ; RTC\_RESET\_B is  $\pm 60 \mu\text{A}$ ; ONOFF is  $\pm 60 \mu\text{A}$ ; POR\_B is  $\pm 60 \mu\text{A}$ ; and SD2\_CD\_B is  $\pm 60 \mu\text{A}$ .

### 3.5.2 DDR I/O DC electrical characteristics

The DDR I/O pads support LPDDR 4, DDR4, and DDR3L operational modes. The DDR Memory Controller (DDRMC) is designed to be compatible with JEDEC-compliant SDRAMs.

DDRMC operation is contingent upon the board's DDR design adherence to the DDR design and layout requirements stated in the hardware development guide for the i.MX 8M Dual / 8M QuadLite / 8M Quad application processor.

**Table 28. DC input logic level**

| Characteristics                  | Symbol       | Min             | Max             | Unit |
|----------------------------------|--------------|-----------------|-----------------|------|
| DC input logic high <sup>1</sup> | $V_{IH(DC)}$ | $V_{REF} + 100$ | —               | mV   |
| DC input logic low               | $V_{IL(DC)}$ | —               | $V_{REF} - 100$ |      |

<sup>1</sup> It is the relationship of the  $V_{DDQ}$  of the driving device and the  $V_{REF}$  of the receiving device that determines noise margins. However, in the case of  $V_{IH(DC)}$  max (that is, input overdrive), it is the  $V_{DDQ}$  of the receiving device that is referenced.

**Table 29. Output DC current drive**

| Characteristics   | Symbol       | Min                  | Max                  | Unit |
|---|--------------|----------------------|----------------------|------|
| Output minimum source DC current <sup>1</sup>                   | $I_{OH(DC)}$ | -4                   | —                    | mA   |
| Output minimum sink DC current                                  | $I_{OL(DC)}$ | 4                    | —                    | mA   |
| DC output high voltage( $I_{OH} = -0.1\text{mA}$ ) <sup>2</sup> | $V_{OH}$     | $0.9 \times V_{DDQ}$ | —                    | V    |
| DC output low voltage( $I_{OL} = 0.1\text{mA}$ ) <sup>2</sup>   | $V_{OL}$     | —                    | $0.1 \times V_{DDQ}$ | V    |

<sup>1</sup> When DDS = [111] and without ZQ calibration.

<sup>2</sup> The values of  $V_{OH}$  and  $V_{OL}$  are valid only for 1.2 V range.

**Table 30. Input DC current<sup>1</sup>**

| Characteristics                         | Symbol   | Min | Max | Unit          |
|---|----------|-----|-----|---------------|
| High level input current <sup>2,3</sup> | $I_{IH}$ | -40 | 40  | $\mu\text{A}$ |
| Low level input current <sup>3</sup>    | $I_{IL}$ | -40 | 40  | $\mu\text{A}$ |

<sup>1</sup> The leakage limit for the following pins: DRAM\_AC00, DRAM\_AC01, DRAM\_AC20, and DRAM\_AC21 are  $\pm 300 \mu\text{A}$ ; DRAM\_RESET\_N is  $\pm 200 \mu\text{A}$ .

<sup>2</sup> The values of  $V_{OH}$  and  $V_{OL}$  are valid only for 1.2 V range.

<sup>3</sup> Driver Hi-Z and input power-down (PD = High)

### 3.5.2.1 LPDDR4 mode I/O DC parameters

Table 31. LPDDR4 I/O DC electrical parameters

| Parameters                           | Symbol   | Test Conditions   | Min          | Max                   | Unit |
|--------------------------------------|----------|-------------------|--------------|-----------------------|------|
| High-level output voltage            | VOH      | Ioh= -0.1 mA      | 0.9 x OVDD   | —                     | V    |
| Low-level output voltage             | VOL      | Iol= 0.1 mA       | —            | 0.1 x OVDD            | V    |
| Input Reference Voltage              | Vref     | —                 | 0.49 x OVDD  | 0.51 x OVDD           | V    |
| DC High-Level input voltage          | Vih_DC   | —                 | VRef + 0.100 | OVDD                  | V    |
| DC Low-Level input voltage           | Vil_DC   | —                 | OVSS         | VRef – 0.100          | V    |
| Differential Input Logic High        | Vih_diff | —                 | 0.26         | See note <sup>1</sup> | —    |
| Differential Input Logic Low         | Vil_diff | —                 | See note     | -0.26                 | —    |
| Pull-up/Pull-down Impedance Mismatch | Mmpupd   | —                 | -15          | 15                    | %    |
| 240 Ω unit calibration resolution    | Rres     | —                 | —            | 10                    | Ω    |
| Keeper Circuit Resistance            | Rkeep    | —                 | 110          | 175                   | KΩ   |
| Input current (no pull-up/down)      | Iin      | VI = 0, VI = OVDD | -2.5         | 2.5                   | μA   |

<sup>1</sup> The single-ended signals need to be within the respective limits (Vih(dc) max, Vil(dc) min) for single-ended signals as well as the limitations for overshoot and undershoot.

### 3.5.3 Differential I/O port (CLKx\_P/N)

The clock I/O interface is designed to be compatible with TIA/EIA 644-A standard. See TIA/EIA STANDARD 644-A, *Electrical Characteristics of Low Voltage Differential Signaling (LVDS) Interface Circuits* (2001), for details.

The CLK1\_P/CLK1\_N is input only, while CLK2\_P/CLK2\_N is output only.

## 3.6 I/O AC parameters

This section includes the AC parameters of the following I/O types:

- General Purpose I/O (GPIO)
- Double Data Rate I/O (DDR) for DDR3L/DDR4/LPDDR4 modes
- Differential I/O (CLKx)

The GPIO and DDR I/O load circuit and output transition time waveforms are shown in [Figure 4](#) and [Figure 5](#).

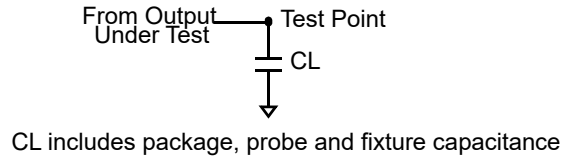


Figure 4. Load circuit for output

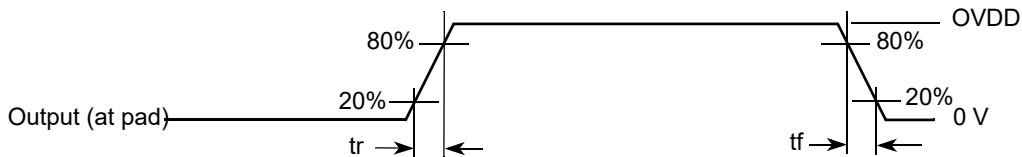


Figure 5. Output transition time waveform

### 3.6.1 General purpose I/O AC parameters

This section presents the I/O AC parameters for GPIO in different modes. Note that the fast or slow I/O behavior is determined by the appropriate control bits in the IOMUXC control registers.

Table 32. Maximum input cell delay time

| Cell name                      | Max Delay PAD → Y (ns)   |   |   |
|--------------------------------|--|---|---|
|                                | $V_{DD} = 1.62\text{ V}$<br>$T = 125^\circ\text{C}$<br>WCS model | — | $V_{DD} = 3.0\text{ V}$<br>$T = 125^\circ\text{C}$<br>WCS model |
| PBIJGTOV36PUD_MCLAMP_LVGPIO_EW | 1.54   | — | 1.3   |

Table 33. Output cell delay time for fixed load

| Parameter |           |               | Simulated Cell Delay A → PAD (ns)               |   |
|-----------|-----------|---------------|---|---|
|           |           |               | $V_{DD} = 1.62\text{ V}, T = 125^\circ\text{C}$ | $V_{DD} = 2.97\text{ V}, T = 125^\circ\text{C}$ |
| dse[2:0]  | fsel[1:0] | Driver Type   | CL = 15 pF                                      | CL = 15 pF                                      |
| 011       | 00        | 3 x Slow Slew | 3.1   | 3.3   |
| 011       | 11        | 3 x Fast Slew | 2.1   | 2.6   |
| 100       | 00        | 4 x Slow Slew | 3.7   | 3.9   |
| 100       | 11        | 4 x Fast Slew | 2.3   | 2.8   |
| 101       | 00        | 5 x Slow Slew | 3.1   | 3.5   |
| 101       | 11        | 5 x Fast Slew | 2.1   | 2.5   |

Table 33. Output cell delay time for fixed load (continued)

| Parameter |           |               | Simulated Cell Delay A → PAD (ns) |                         |
|-----------|-----------|---------------|-----------------------------------|-------------------------|
|           |           |               | VDD = 1.62 V, T = 125°C           | VDD = 2.97 V, T = 125°C |
| dse[2:0]  | fsel[1:0] | Driver Type   | CL = 15 pF                        | CL = 15 pF              |
| 111       | 00        | 7 x Slow Slew | 2.9                               | 3.1                     |
| 111       | 11        | 7 x Fast Slew | 1.8                               | 2.3                     |

Table 34. Maximum frequency of operation for input

| Maximum frequency (MHz)       |   |                               |
|-------------------------------|---|-------------------------------|
| VDD = 1.8 V, CL = 15 pF, fast | — | VDD = 3.3 V, CL = 20 pF, fast |
| 200                           | — | 160                           |

### 3.6.2 Clock I/O AC parameters—CLKx\_N/CLKx\_P

The differential output transition time waveform is shown in Figure 6.

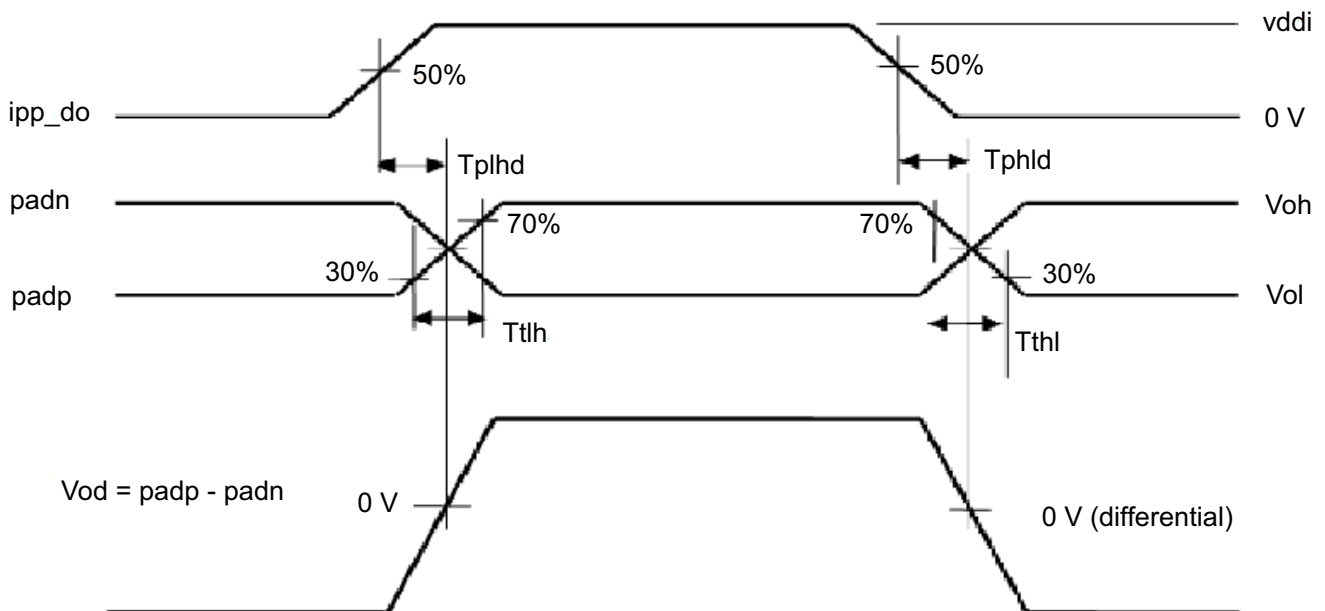


Figure 6. Differential LVDS driver transition time waveform

Table 35 shows the AC parameters for clock I/O.

**Table 35. I/O AC parameters of LVDS pad**

| Symbol | Parameter   | Test conditions  | Min | Typ | Max  | Unit | Notes |
|--------|---|--|-----|-----|------|------|-------|
| Tphld  | Output Differential propagation delay high to low | Rload = 100 $\Omega$ between padp and padn, Cload = 2pF, at 125 °C, TYP, 1.62 V OVDD, and 0.9 V VDDI | —   | —   | 0.92 | ns   | 1     |
| Tplhd  | Output Differential propagation delay low to high |  | —   | —   | 0.92 |      |       |
| Ttlh   | Output Transition time low to high                |  | —   | —   | 0.58 | 2    |       |
| Tthl   | Output Transition time high to low                |  | —   | —   | 0.73 |      |       |
| Tphlr  | Input Differential propagation delay high to low  | Rload = 100 $\Omega$ between padp and padn, at 125 °C, TYP, 1.62 V OVDD, and 0.9 V VDDI              | —   | —   | 0.83 | ns   | 3     |
| Tplhr  | Input Differential propagation delay low to high  |  | —   | —   | 0.83 |      |       |
| Ttx    | Transmitter startup time (ipp-obc low to high)    | —  | —   | 40  | ns   | 4    |       |
| F      | Operating frequency                               | —  | —   | 600 | 1000 | MHz  | —     |

<sup>1</sup> At TYP, 125 °C, 1.62 V OVDD, and 0.9 V VDDI. Measurement levels are 50 - 50%. Output differential signal measured.

<sup>2</sup> At TYP, 125 °C, 1.62 V OVDD, and 0.9 V VDDI. Measurement levels are 20 - 80%. Output differential signal measured.

<sup>3</sup> At TYP, 125 °C, 1.62 V OVDD, and 0.9 V VDDI. Measurement levels are 50 - 50%.

<sup>4</sup> TX startup time is defined as the time taken by transmitter for settling after its ipp\_obc has been asserted. It is to stabilize the current reference. Functionality is guaranteed only after the startup time.

### 3.7 Output buffer impedance parameters

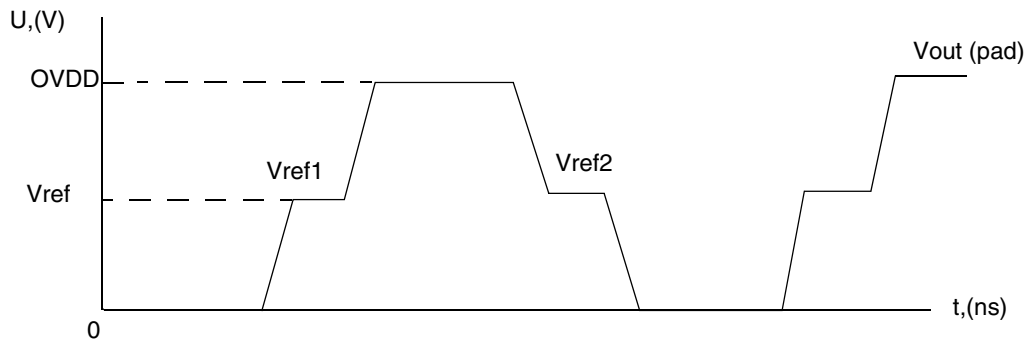
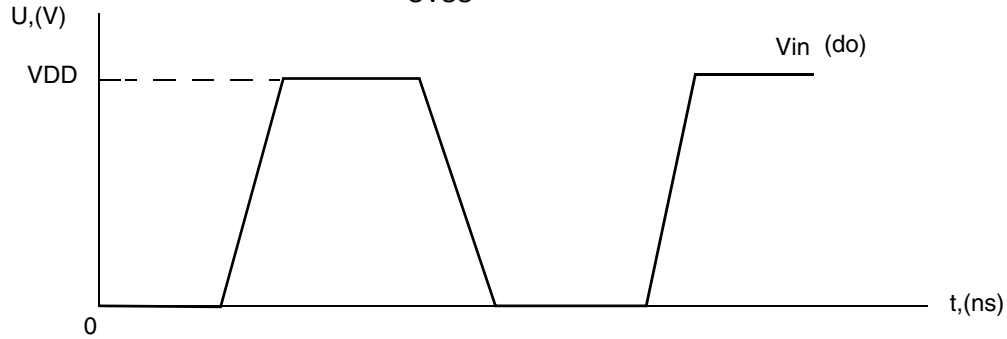
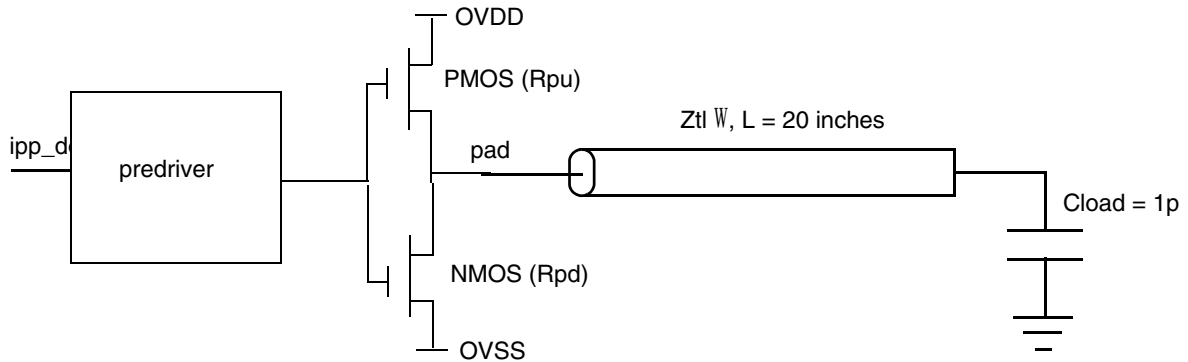
This section defines the I/O impedance parameters of the i.MX 8M Dual / 8M QuadLite / 8M Quad processors for the following I/O types:

- Double Data Rate I/O (DDR) for LPDDR4, DDR4, and DDR3L modes
- Differential I/O (CLKx)

#### NOTE

DDR I/O output driver impedance is measured with “long” transmission line of impedance Ztl attached to I/O pad and incident wave launched into transmission line. Rpu/Rpd and Ztl form a voltage divider that defines specific voltage of incident wave relative to OVDD. Output driver impedance is calculated from this voltage divider (see [Figure 7](#)).

## Electrical characteristics



$$R_{pu} = \frac{V_{ovdd} - V_{ref1}}{V_{ref1}} \times Z_{tl}$$

$$R_{pd} = \frac{V_{ref2}}{V_{ovdd} - V_{ref2}} \times Z_{tl}$$

**Figure 7. Impedance matching load for measurement**

### 3.7.1 DDR I/O output buffer impedance

Table 36 shows DDR I/O output buffer impedance of i.MX 8M Dual / 8M QuadLite / 8M Quad processors.

Table 36. DDR I/O output buffer impedance

| Parameter                  | Symbol | Test Conditions<br>DSE<br>(Drive Strength) | Typical                                       |                             |   | Unit     |
|----------------------------|--------|--|---|-----------------------------|---|----------|
|                            |        |  | NVCC_DRAM = 1.35<br>V (DDR3L)<br>DDR_SEL = 11 | NVCC_DRAM = 1.2 V<br>(DDR4) | NVCC_DRAM = 1.1 V<br>(LPDDR4)<br>DDR_SEL = 10 |          |
| Output Driver<br>Impedance | Rdrv   | 000000                                     | Hi-Z  | Hi-Z                        | Hi-Z  | $\Omega$ |
|                            |        | 000010                                     | 240   | 240                         | 240   |          |
|                            |        | 000110                                     | 120   | 120                         | 120   |          |
|                            |        | 001010                                     | 80  | 80                          | 80  |          |
|                            |        | 001110                                     | 60  | 60                          | 60  |          |
|                            |        | 011010                                     | 48  | 48                          | 48  |          |
|                            |        | 011110                                     | 40  | 40                          | 40  |          |
|                            |        | 111010                                     | 34  | 34                          | 34  |          |

**Note:**

1. Output driver impedance is controlled across PVTs using ZQ calibration procedure.
2. Calibration is done against 240  $\Omega$  external reference resistor.
3. Output driver impedance deviation (calibration accuracy) is  $\pm 5\%$  (max/min impedance) across PVTs.

### 3.7.2 Differential I/O output buffer impedance

The Differential CCM interface is designed to be compatible with TIA/EIA 644-A standard. See, TIA/EIA STANDARD 644-A, *Electrical Characteristics of Low Voltage Differential Signaling (LVDS) Interface Circuits* (2001) for details.

## 3.8 System modules timing

This section contains the timing and electrical parameters for the modules in each i.MX 8M Dual / 8M QuadLite / 8M Quad processor.

### 3.8.1 Reset timings parameters

Figure 8 shows the reset timing and Table 37 lists the timing parameters.

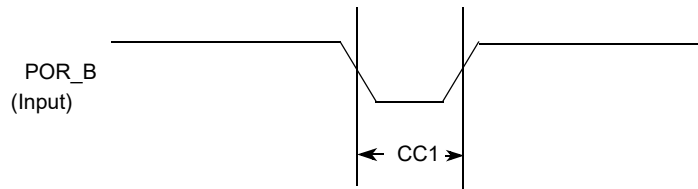


Figure 8. Reset timing diagram

Table 37. Reset timing parameters

| ID  | Parameter                                   | Min | Max | Unit            |
|-----|---|-----|-----|-----------------|
| CC1 | Duration of POR_B to be qualified as valid. | 1   | —   | RTC_XTALI cycle |

### 3.8.2 WDOG Reset timing parameters

Figure 9 shows the WDOG reset timing and Table 38 lists the timing parameters.

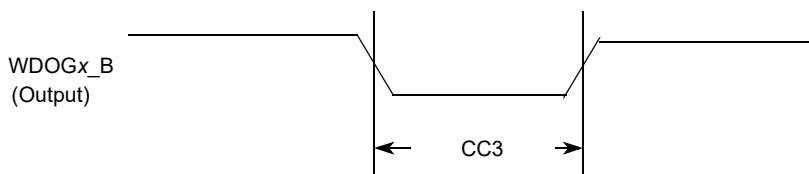


Figure 9. WDOGx\_B timing diagram

Table 38. WDOGx\_B timing parameters

| ID  | Parameter                     | Min | Max | Unit            |
|-----|-------------------------------|-----|-----|-----------------|
| CC3 | Duration of WDOG1_B Assertion | 1   | —   | RTC_XTALI cycle |

**NOTE**

RTC\_XTALI is approximately 32 kHz. RTC\_XTALI cycle is one period or approximately 30 ms.

**NOTE**

WDOGx\_B output signals (for each one of the Watchdog modules) do not have dedicated pins, but are muxed out through the IOMUX. See the IOMUXC chapter of the *i.MX 8M Dual / 8M QuadLite / 8M Quad Applications Processor Reference Manual (IMX8MDQLQRM)* for detailed information.

### 3.9 External peripheral interface parameters

The following subsections provide information on external peripheral interfaces.



### 3.9.1 ECSPi timing parameters

This section describes the timing parameters of the ECSPi blocks. The ECSPi have separate timing parameters for master and slave modes.

#### 3.9.1.1 ECSPi Master mode timing

Figure 10 depicts the timing of ECSPi in master mode. Table 39 lists the ECSPi master mode timing characteristics.

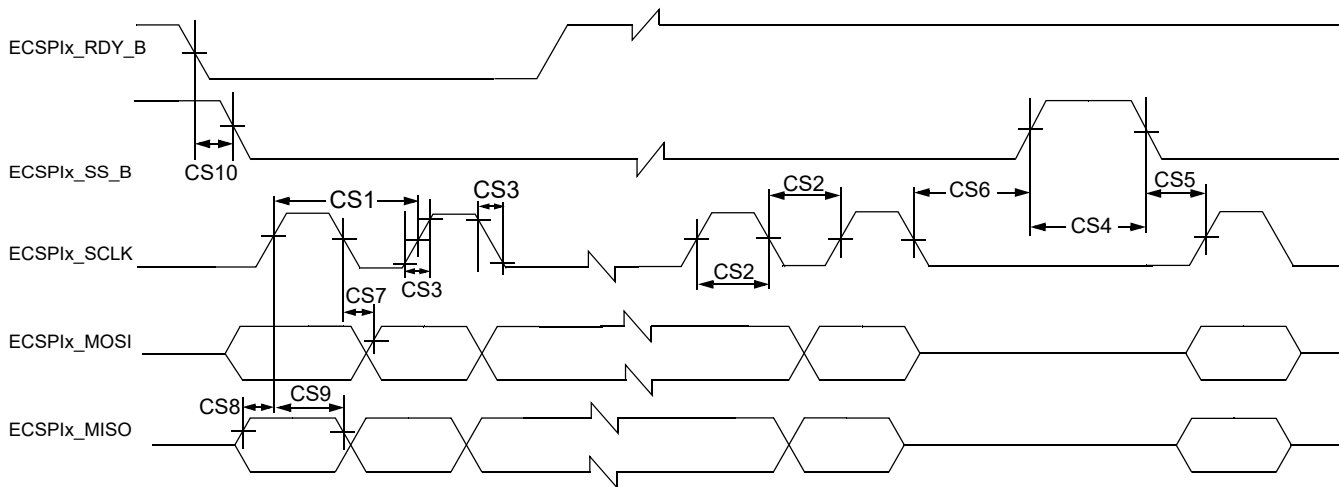


Figure 10. ECSPi Master mode timing diagram

Table 39. ECSPi Master mode timing parameters

| ID   | Parameter   | Symbol          | Min                        | Max | Unit |
|------|---|-----------------|----------------------------|-----|------|
| CS1  | ECSPi_SCLK Cycle Time–Read<br>ECSPi_SCLK Cycle Time–Write             | $t_{clk}$       | 43<br>15                   | —   | ns   |
| CS2  | ECSPi_SCLK High or Low Time–Read<br>ECSPi_SCLK High or Low Time–Write | $t_{sw}$        | 21.5<br>7                  | —   | ns   |
| CS3  | ECSPi_SCLK Rise or Fall <sup>1</sup>                                  | $t_{RISE/FALL}$ | —                          | —   | ns   |
| CS4  | ECSPi_SS_B pulse width  | $t_{CSLH}$      | Half ECSPi_SCLK period     | —   | ns   |
| CS5  | ECSPi_SS_B Lead Time (CS setup time)                                  | $t_{SCS}$       | Half ECSPi_SCLK period - 4 | —   | ns   |
| CS6  | ECSPi_SS_B Lag Time (CS hold time)                                    | $t_{HCS}$       | Half ECSPi_SCLK period - 2 | —   | ns   |
| CS7  | ECSPi_MOSI Propagation Delay ( $C_{LOAD} = 20$ pF)                    | $t_{PDmosi}$    | -1                         | 1   | ns   |
| CS8  | ECSPi_MISO Setup Time   | $t_{Smiso}$     | 18                         | —   | ns   |
| CS9  | ECSPi_MISO Hold Time  | $t_{Hmiso}$     | 0                          | —   | ns   |
| CS10 | RDY to ECSPi_SS_B Time <sup>2</sup>                                   | $t_{SDRY}$      | 5                          | —   | ns   |

<sup>1</sup> See specific I/O AC parameters [Section 3.6, I/O AC parameters.](#)

<sup>2</sup> SPI\_RDY is sampled internally by ipg\_clk and is asynchronous to all other CSPI signals.

### 3.9.1.2 ECSPi Slave mode timing

Figure 11 depicts the timing of ECSPi in Slave mode. Table 40 lists the ECSPi Slave mode timing characteristics.

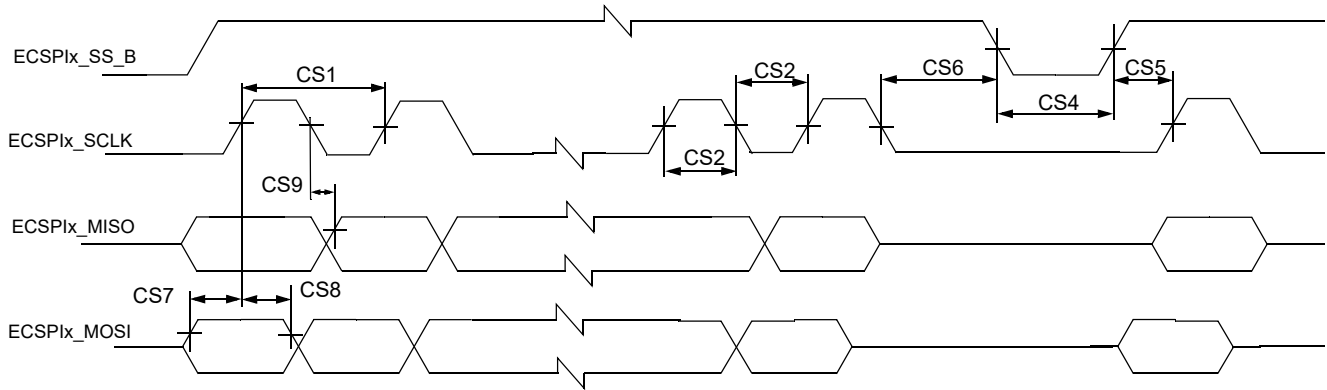


Figure 11. ECSPi Slave mode timing diagram

Table 40. ECSPi Slave mode timing parameters

| ID  | Parameter   | Symbol       | Min                    | Max | Unit |
|-----|---|--------------|------------------------|-----|------|
| CS1 | ECSPi_SCLK Cycle Time–Read<br>ECSPi_SCLK Cycle Time–Write             | $t_{clk}$    | 15<br>43               | —   | ns   |
| CS2 | ECSPi_SCLK High or Low Time–Read<br>ECSPi_SCLK High or Low Time–Write | $t_{sw}$     | 7<br>21.5              | —   | ns   |
| CS4 | ECSPi_SS_B pulse width  | $t_{CSLH}$   | Half ECSPi_SCLK period | —   | ns   |
| CS5 | ECSPi_SS_B Lead Time (CS setup time)                                  | $t_{SCS}$    | 5                      | —   | ns   |
| CS6 | ECSPi_SS_B Lag Time (CS hold time)                                    | $t_{HCS}$    | 5                      | —   | ns   |
| CS7 | ECSPi_MOSI Setup Time   | $t_{Smosi}$  | 4                      | —   | ns   |
| CS8 | ECSPi_MOSI Hold Time  | $t_{Hmosi}$  | 4                      | —   | ns   |
| CS9 | ECSPi_MISO Propagation Delay ( $C_{LOAD} = 20$ pF)                    | $t_{PDmiso}$ | 4                      | 19  | ns   |

### 3.9.2 Ultra-high-speed SD/SDIO/MMC host interface (uSDHC) AC timing

This section describes the electrical information of the uSDHC, which includes SD/eMMC4.3 (single data rate) timing, eMMC4.4/4.41 (dual data rate) timing and SDR104/50 (SD3.0) timing.

#### 3.9.2.1 SD/eMMC4.3 (single data rate) AC timing

Figure 12 depicts the timing of SD/eMMC4.3, and Table 41 lists the SD/eMMC4.3 timing characteristics.

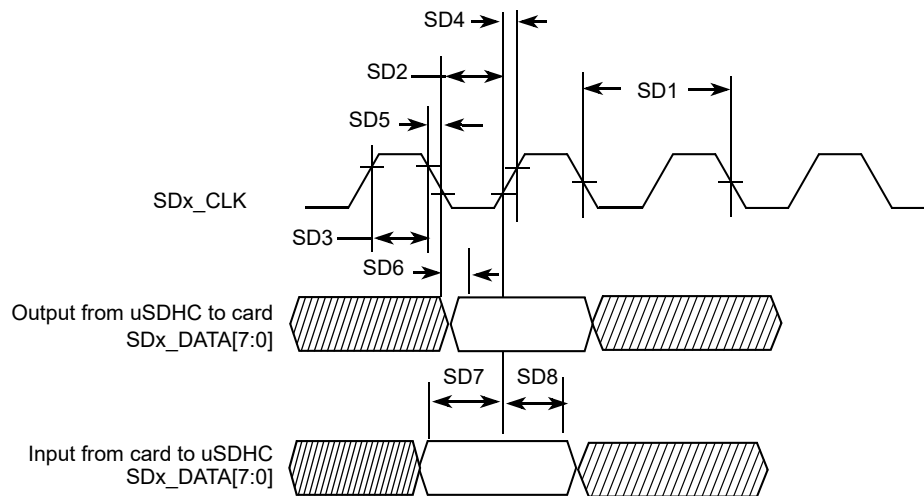


Figure 12. SD/eMMC4.3 timing

Table 41. SD/eMMC4.3 interface timing specification

| ID   | Parameter                                       | Symbols    | Min | Max   | Unit |
|--|---|------------|-----|-------|------|
| <b>Card Input Clock</b>  |   |            |     |       |      |
| SD1  | Clock Frequency (Low Speed)                     | $f_{PP}^1$ | 0   | 400   | kHz  |
|  | Clock Frequency (SD/SDIO Full Speed/High Speed) | $f_{PP}^2$ | 0   | 25/50 | MHz  |
|  | Clock Frequency (MMC Full Speed/High Speed)     | $f_{PP}^3$ | 0   | 20/52 | MHz  |
|  | Clock Frequency (Identification Mode)           | $f_{OD}$   | 100 | 400   | kHz  |
| SD2  | Clock Low Time                                  | $t_{WL}$   | 7   | —     | ns   |
| SD3  | Clock High Time                                 | $t_{WH}$   | 7   | —     | ns   |
| SD4  | Clock Rise Time                                 | $t_{TLH}$  | —   | 3     | ns   |
| SD5  | Clock Fall Time                                 | $t_{THL}$  | —   | 3     | ns   |
| <b>uSDHC Output/Card Inputs SD_CMD, SDx_DATAx (Reference to CLK)</b> |   |            |     |       |      |
| SD6  | uSDHC Output Delay                              | $t_{OD}$   | 6.6 | 3.6   | ns   |

## Electrical characteristics

**Table 41. SD/eMMC4.3 interface timing specification (continued)**

| ID   | Parameter                          | Symbols   | Min | Max | Unit |
|--|------------------------------------|-----------|-----|-----|------|
| <b>uSDHC Input/Card Outputs SD_CMD, SDx_DATAx (Reference to CLK)</b> |                                    |           |     |     |      |
| SD7  | uSDHC Input Setup Time             | $t_{ISU}$ | 2.5 | —   | ns   |
| SD8  | uSDHC Input Hold Time <sup>4</sup> | $t_{IH}$  | 1.5 | —   | ns   |

<sup>1</sup> In Low-Speed mode, card clock must be lower than 400 kHz, voltage ranges from 2.7 to 3.6 V.

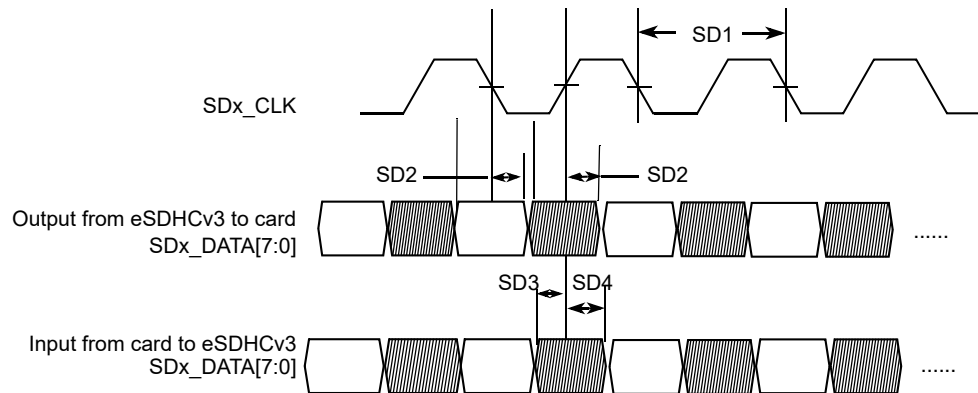
<sup>2</sup> In Normal (Full) -Speed mode for SD/SDIO card, clock frequency can be any value between 0 – 25 MHz. In High-speed mode, clock frequency can be any value between 0 – 50 MHz.

<sup>3</sup> In Normal (Full) -Speed mode for MMC card, clock frequency can be any value between 0 – 20 MHz. In High-speed mode, clock frequency can be any value between 0 – 52 MHz.

<sup>4</sup> To satisfy hold timing, the delay difference between clock input and cmd/data input must not exceed 2 ns.

### 3.9.2.2 eMMC4.4/4.41 (dual data rate) AC timing

Figure 13 depicts the timing of eMMC4.4/4.41. Table 42 lists the eMMC4.4/4.41 timing characteristics. Be aware that only DATA is sampled on both edges of the clock (not applicable to CMD).



**Figure 13. eMMC4.4/4.41 timing**

**Table 42. eMMC4.4/4.41 interface timing specification**

| ID   | Parameter                          | Symbols  | Min | Max | Unit |
|--|------------------------------------|----------|-----|-----|------|
| <b>Card Input Clock</b>  |                                    |          |     |     |      |
| SD1  | Clock Frequency (eMMC4.4/4.41 DDR) | $f_{PP}$ | 0   | 52  | MHz  |
| SD1  | Clock Frequency (SD3.0 DDR)        | $f_{PP}$ | 0   | 50  | MHz  |
| <b>uSDHC Output / Card Inputs SD_CMD, SDx_DATAx (Reference to CLK)</b> |                                    |          |     |     |      |
| SD2  | uSDHC Output Delay                 | $t_{OD}$ | 2.7 | 6.9 | ns   |
| <b>uSDHC Input / Card Outputs SD_CMD, SDx_DATAx (Reference to CLK)</b> |                                    |          |     |     |      |

Table 42. eMMC4.4/4.41 interface timing specification (continued)

| ID  | Parameter              | Symbols   | Min | Max | Unit |
|-----|------------------------|-----------|-----|-----|------|
| SD3 | uSDHC Input Setup Time | $t_{ISU}$ | 2.4 | —   | ns   |
| SD4 | uSDHC Input Hold Time  | $t_{IH}$  | 1.3 | —   | ns   |

### 3.9.2.3 HS400 DDR AC timing—eMMC5.0 only

Figure 14 depicts the timing of HS400 mode, and Table 43 lists the HS400 timing characteristics. Be aware that only data is sampled on both edges of the clock (not applicable to CMD). The CMD input/output timing for HS400 mode is the same as CMD input/output timing for SDR104 mode. Check SD5, SD6, and SD7 parameters in Table 45 SDR50/SDR104 Interface Timing Specification for CMD input/output timing for HS400 mode.

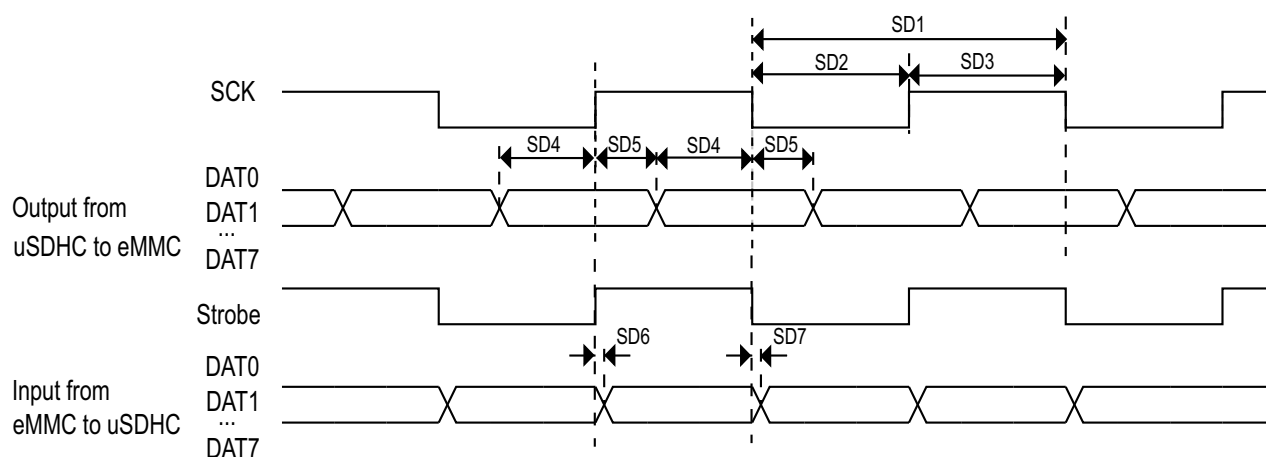


Figure 14. HS400 Mode timing

Table 43. HS400 interface timing specification

| ID  | Parameter                            | Symbols      | Min                   | Max                   | Unit |
|---|--------------------------------------|--------------|-----------------------|-----------------------|------|
| <b>Card Input Clock</b>                                   |                                      |              |                       |                       |      |
| SD1   | Clock frequency                      | $f_{PP}$     | 0                     | 200                   | MHz  |
| SD2   | Clock low time                       | $t_{CL}$     | $0.46 \times t_{CLK}$ | $0.54 \times t_{CLK}$ | ns   |
| SD3   | Clock high time                      | $t_{CH}$     | $0.46 \times t_{CLK}$ | $0.54 \times t_{CLK}$ | ns   |
| <b>uSDHC Output/Card Inputs DAT (Reference to SCK)</b>    |                                      |              |                       |                       |      |
| SD4   | Output skew from data of edge of SCK | $t_{OSkew1}$ | 0.45                  | —                     | ns   |
| SD5   | Output skew from edge of SCK to data | $t_{OSkew2}$ | 0.45                  | —                     | ns   |
| <b>uSDHC Input/Card Outputs DAT (Reference to Strobe)</b> |                                      |              |                       |                       |      |

Table 43. HS400 interface timing specification (continued)

| ID  | Parameter        | Symbols   | Min | Max  | Unit |
|-----|------------------|-----------|-----|------|------|
| SD6 | uSDHC input skew | $t_{RQ}$  | —   | 0.45 | ns   |
| SD7 | uSDHC hold skew  | $t_{RQH}$ | —   | 0.45 | ns   |

### 3.9.2.4 HS200 Mode timing

Figure 15 depicts the timing of HS200 mode, and Table 44 lists the HS200 timing characteristics.

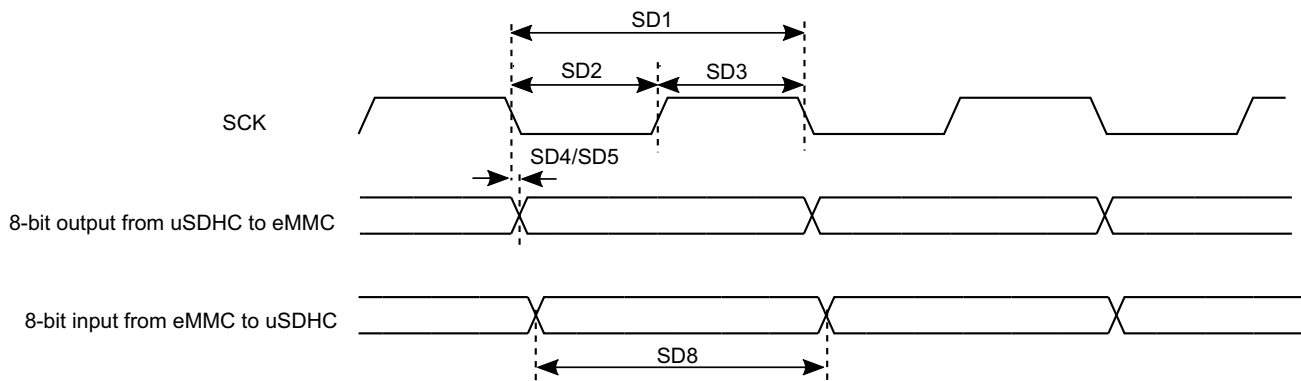


Figure 15. HS200 mode timing

Table 44. HS200 interface timing specification

| ID  | Parameter                | Symbols   | Min                  | Max                  | Unit |
|---|--------------------------|-----------|----------------------|----------------------|------|
| <b>Card Input Clock</b>   |                          |           |                      |                      |      |
| SD1   | Clock Frequency Period   | $t_{CLK}$ | 5                    | —                    | ns   |
| SD2   | Clock Low Time           | $t_{CL}$  | $0.3 \times t_{CLK}$ | $0.7 \times t_{CLK}$ | ns   |
| SD3   | Clock High Time          | $t_{CH}$  | $0.3 \times t_{CLK}$ | $0.7 \times t_{CLK}$ | ns   |
| <b>uSDHC Output/Card Inputs SD_CMD, SDx_DATAx in HS200 (Reference to CLK)</b>             |                          |           |                      |                      |      |
| SD5   | uSDHC Output Delay       | $t_{OD}$  | -1.6                 | 1                    | ns   |
| <b>uSDHC Input/Card Outputs SD_CMD, SDx_DATAx in HS200 (Reference to CLK)<sup>1</sup></b> |                          |           |                      |                      |      |
| SD8   | uSDHC Output Data Window | $t_{ODW}$ | $0.5 \times t_{CLK}$ | —                    | ns   |

<sup>1</sup> HS200 is for 8 bits while SDR104 is for 4 bits.

### 3.9.2.5 SDR50/SDR104 AC timing

Figure 16 depicts the timing of SDR50/SDR104, and Table 45 lists the SDR50/SDR104 timing characteristics.

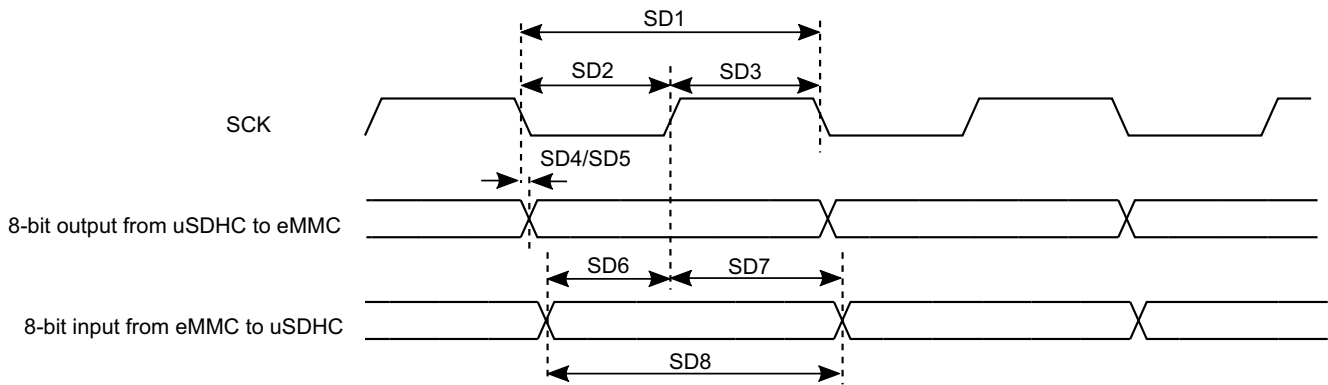


Figure 16. SDR50/SDR104 timing

Table 45. SDR50/SDR104 interface timing specification

| ID   | Parameter                | Symbols   | Min                   | Max                   | Unit |
|--|--------------------------|-----------|-----------------------|-----------------------|------|
| <b>Card Input Clock</b>  |                          |           |                       |                       |      |
| SD1  | Clock Frequency Period   | $t_{CLK}$ | 5                     | —                     | ns   |
| SD2  | Clock Low Time           | $t_{CL}$  | $0.46 \times t_{CLK}$ | $0.54 \times t_{CLK}$ | ns   |
| SD3  | Clock High Time          | $t_{CH}$  | $0.46 \times t_{CLK}$ | $0.54 \times t_{CLK}$ | ns   |
| <b>uSDHC Output/Card Inputs SD_CMD, SDx_DATAx in SDR50 (Reference to CLK)</b>              |                          |           |                       |                       |      |
| SD4  | uSDHC Output Delay       | $t_{OD}$  | -3                    | 1                     | ns   |
| <b>uSDHC Output/Card Inputs SD_CMD, SDx_DATAx in SDR104 (Reference to CLK)</b>             |                          |           |                       |                       |      |
| SD5  | uSDHC Output Delay       | $t_{OD}$  | -1.6                  | 1                     | ns   |
| <b>uSDHC Input/Card Outputs SD_CMD, SDx_DATAx in SDR50 (Reference to CLK)</b>              |                          |           |                       |                       |      |
| SD6  | uSDHC Input Setup Time   | $t_{ISU}$ | 2.4                   | —                     | ns   |
| SD7  | uSDHC Input Hold Time    | $t_{IH}$  | 1.4                   | —                     | ns   |
| <b>uSDHC Input/Card Outputs SD_CMD, SDx_DATAx in SDR104 (Reference to CLK)<sup>1</sup></b> |                          |           |                       |                       |      |
| SD8  | uSDHC Output Data Window | $t_{ODW}$ | $0.5 \times t_{CLK}$  | —                     | ns   |

<sup>1</sup> Data window in SDR100 mode is variable.

### 3.9.2.6 Bus operation condition for 3.3 V and 1.8 V signaling

Signaling level of SD/eMMC4.3 and eMMC4.4/4.41 modes is 3.3 V. Signaling level of SDR104/SDR50 mode is 1.8 V. The DC parameters for the NVCC\_SD1, NVCC\_SD2 and NVCC\_SD3 supplies are identical to those shown in Table 27, "GPIO DC parameters," on page 32.

### 3.9.3 Ethernet controller (ENET) AC electrical specifications

The following timing specs are defined at the chip I/O pin and must be translated appropriately to arrive at timing specs/constraints for the physical interface.

#### 3.9.3.1 RMI mode timing

Figure 17 shows RMI mode timings. Table 46 describes the timing parameters (M16–M21) shown in the figure.

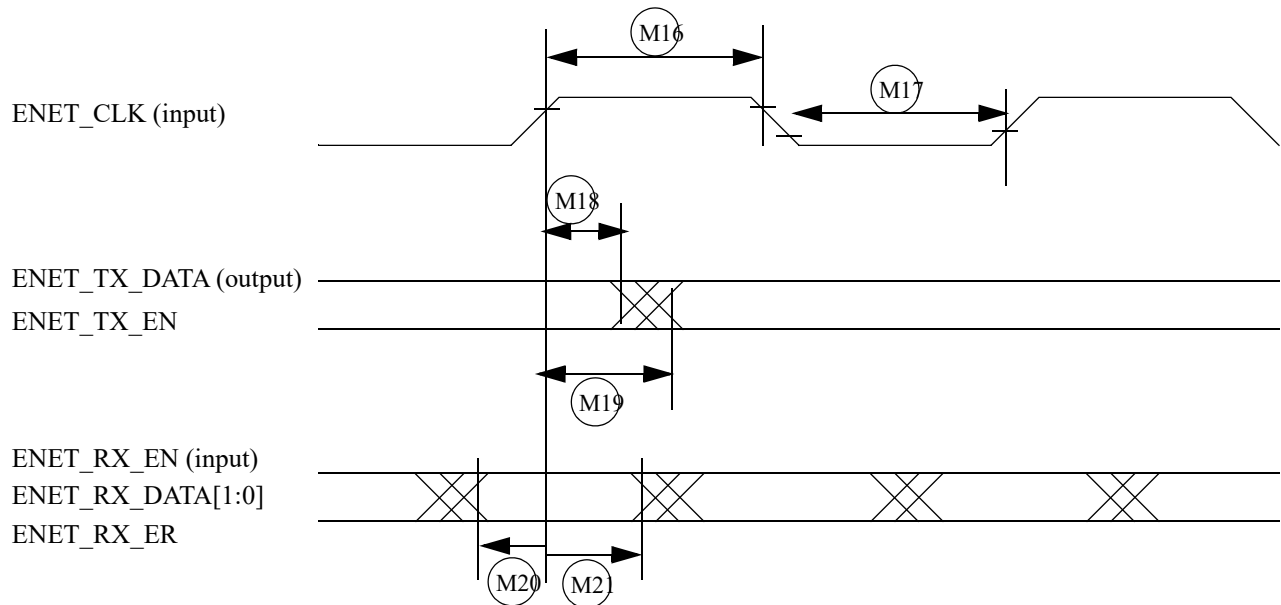


Figure 17. RMI mode signal timing diagram

Table 46. RMI signal timing

| ID  | Characteristic  | Min. | Max. | Unit            |
|-----|---|------|------|-----------------|
| M16 | ENET_CLK pulse width high   | 35%  | 65%  | ENET_CLK period |
| M17 | ENET_CLK pulse width low  | 35%  | 65%  | ENET_CLK period |
| M18 | ENET_CLK to ENET0_TXD[1:0], ENET_TX_DATA invalid                                      | 4    | —    | ns              |
| M19 | ENET_CLK to ENET0_TXD[1:0], ENET_TX_DATA valid  | —    | 15   | ns              |
| M20 | ENET_RX_ER to ENET_RX_DATA[1:0], ENET_RX_EN(ENET_RX_EN), ENET_RX_ER to ENET_CLK setup | 4    | —    | ns              |
| M21 | ENET_CLK to ENET_RX_DATA[1:0], ENET_RX_EN, ENET_RX_ER hold                            | 2    | —    | ns              |



Table 47. RMI signal mapping

| Pad name    | Description                             | Mode       | Alt Mode  | Direction | Comment  |
|-------------|---|------------|-----------|-----------|--|
| ENET_MDC    | enet1.MDC                               | RMII/RGMII | ALT0      | O         | —  |
| ENET_MDIO   | enet1.MDIO                              | RMII/RGMII | ALT0      | I/O       | —  |
| ENET_TD3    | RGMII.TD3                               | RGMII      | ALT0      | O         | Only used for RGMII  |
| ENET_TD2    | RMII.CLK;<br>RGMII.TD2                  | RMII/RGMII | ALT0      | I/O       | Used as RMII clock and RGMII data, there are two RGMII clock schemes. <ul style="list-style-type: none"> <li>• MAC generate output 50M reference clock for PHY, and MAC also uses this 50M clock.</li> <li>• MAC uses external 50M clock.</li> </ul> |
| ENET_TD1    | RMII and<br>RGMII.TD1                   | RMII/RGMII | ALT0      | O         | —  |
| ENET_TD0    | RMII and<br>RGMII.TD0                   | RMII/RGMII | ALT0      | O         | —  |
| ENET_TX_CTL | RMII.TX_EN;<br>RGMII.TX_CTL             | RMII/RGMII | ALT0      | O         | —  |
| ENET_TXC    | RMII.TX_ERR;<br>RGMII.TX_CLK            | RGMII      | ALT0/ALT1 | O         | For RMII, ENET_TXC works as RMII.TX_ERR, need to work in the ALT1 mode.<br>For RGMII, ENET_TXC works as RGMII_TX_CLK, need to work in the ALT0 mode.   |
| ENET_RX_CTL | RMII.RX_EN<br>(CRS_DV);<br>RGMII.RX_CTL | RMII/RGMII | ALT0      | I         | —  |
| ENET_RXC    | RMII.RX_ERR;<br>RGMII.RX_CLK            | RGMII      | ALT0/ALT1 | I         | For RMII, ENET_RXC works as RMII.RX_ERR, need to work in the ALT1 mode.<br>For RGMII, ENET_RXC works as RGMII_RX_CLK, need to work in the ALT0 mode.   |
| ENET_RD0    | RMII and<br>RGMII.RD0                   | RMII/RGMII | ALT0      | I         | —  |
| ENET_RD1    | RMII and<br>RGMII.RD1                   | RMII/RGMII | ALT0      | I         | —  |
| ENET_RD2    | RGMII RD2                               | RGMII      | ALT0      | I         | —  |
| ENET_RD3    | RGMII RD3                               | RGMII      | ALT0      | I         | —  |
| GPIO1_IO06  | enet1.MDC                               | RMII/RGMII | ALT1      | O         | —  |
| GPIO1_IO07  | enet1.MDIO                              | RMII/RGMII | ALT1      | I/O       | —  |

Table 47. RMII signal mapping (continued)

| Pad name   | Description               | Mode       | Alt Mode | Direction | Comment   |
|------------|---------------------------|------------|----------|-----------|---|
| I2C1_SCL   | enet1.MDC                 | RMII/RGMII | ALT1     | O         | —   |
| I2C1_SDA   | enet1.MDIO                | RMII/RGMII | ALT1     | I/O       | —   |
| GPIO1_IO08 | enet1.1588_EVE<br>NTO_IN  | RMII/RGMII | ALT1     | I         | Capture/compare block input/output event bus signal. When configured for capture and a rising edge is detected, the current timer value is latched and transferred into the corresponding ENET_TCCRn register for inspection by software. When configured for comparison, the corresponding signal 1588_EVENT is asserted for one cycle when the timer reaches the comparison value programmed in the register ENET_TCCRn. An interrupt or DMA request can be triggered if the corresponding bit in the ENET_TCSRn[TIE] or ENET_TCSRn[TDRE] is set. |
| GPIO1_IO00 | ENET_PHY_REF<br>_CLK_ROOT | RGMII      | ALT1     | O         | Reference clock is for PHY.   |

### 3.9.3.2 RGMII signal switching specifications

The following timing specifications meet the requirements for RGMII interfaces for a range of transceiver devices.

Table 48. RGMII signal switching specifications<sup>1</sup>

| Symbol              | Description                              | Min. | Max. | Unit |
|---------------------|--|------|------|------|
| $T_{cyc}^2$         | Clock cycle duration                     | 7.2  | 8.8  | ns   |
| $T_{skewT}^3$       | Data to clock output skew at transmitter | -500 | 500  | ps   |
| $T_{skewR}^3$       | Data to clock input skew at receiver     | 1    | 2.6  | ns   |
| Duty_G <sup>4</sup> | Duty cycle for Gigabit                   | 45   | 85   | %    |
| Duty_T <sup>4</sup> | Duty cycle for 10/100T                   | 40   | 90   | %    |
| Tr/Tf               | Rise/fall time (20–80%)                  | —    | 0.98 | ns   |

<sup>1</sup> The timings assume the following configuration:

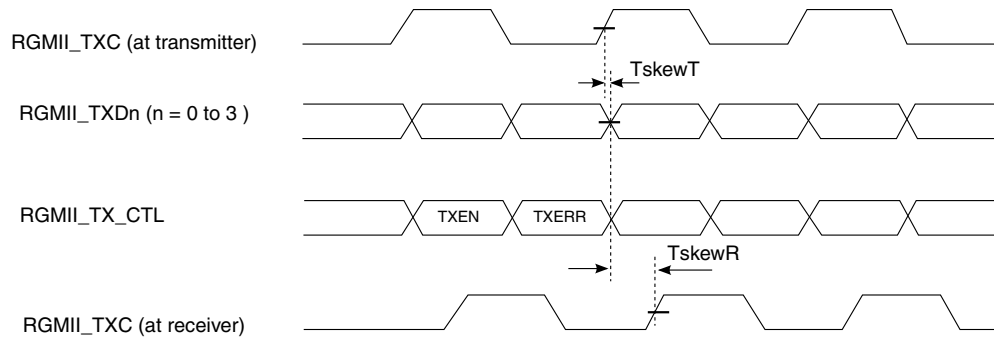
DDR\_SEL = (11)b

DSE (drive-strength) = (111)b

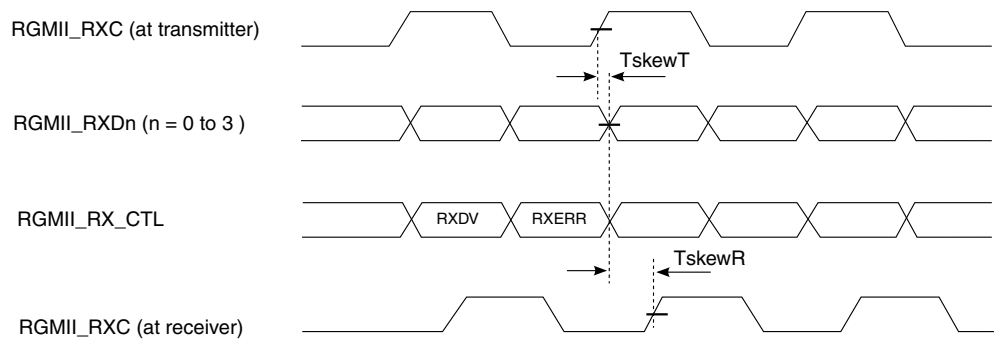
<sup>2</sup> For 10 Mbps and 100 Mbps,  $T_{cyc}$  will scale to 400 ns  $\pm$ 40 ns and 40 ns  $\pm$ 4 ns respectively.

<sup>3</sup> For all versions of RGMII prior to 2.0; this implies that PC board design will require clocks to be routed such that an additional trace delay of greater than 1.5 ns and less than 2.0 ns will be added to the associated clock signal. For 10/100, the Max value is unspecified.

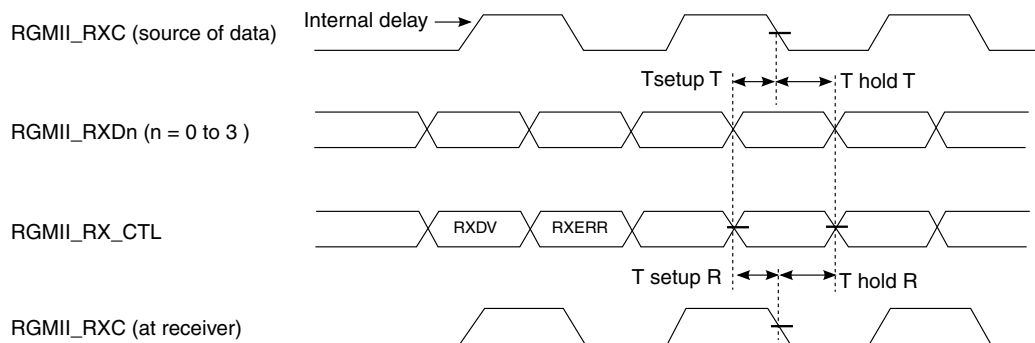
<sup>4</sup> Duty cycle may be stretched/shrunk during speed changes or while transitioning to a received packet's clock domain as long as minimum duty cycle is not violated and stretching occurs for no more than three  $T_{cyc}$  of the lowest speed transitioned between.



**Figure 18. RGMII transmit signal timing diagram original**



**Figure 19. RGMII receive signal timing diagram original**



**Figure 20. RGMII receive signal timing diagram with internal delay**

### 3.9.4 General-purpose media interface (GMPI) timing

The GMPI controller of the i.MX 8M Dual / 8M QuadLite / 8M Quad processor is a flexible interface NAND Flash controller with 8-bit data width, up to 200 MB/s I/O speed and individual chip select.

It supports Asynchronous Timing mode, Source Synchronous Timing mode and Toggle Timing mode separately, as described in the following subsections.

### 3.9.4.1 Asynchronous mode AC timing (ONFI 1.0 compatible)

Asynchronous mode AC timings are provided as multiplications of the clock cycle and fixed delay. The maximum I/O speed of GPMI in Asynchronous mode is about 50 MB/s. Figure 21 through Figure 24 depicts the relative timing between GPMI signals at the module level for different operations under Asynchronous mode. Table 49 describes the timing parameters (NF1–NF17) that are shown in the figures.

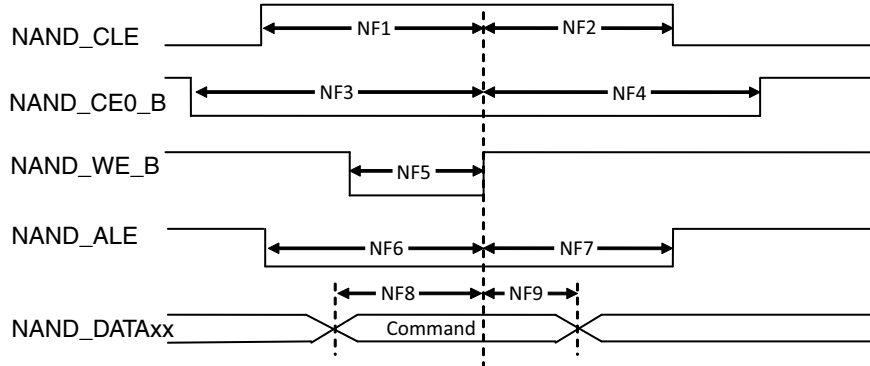


Figure 21. Command Latch cycle timing diagram

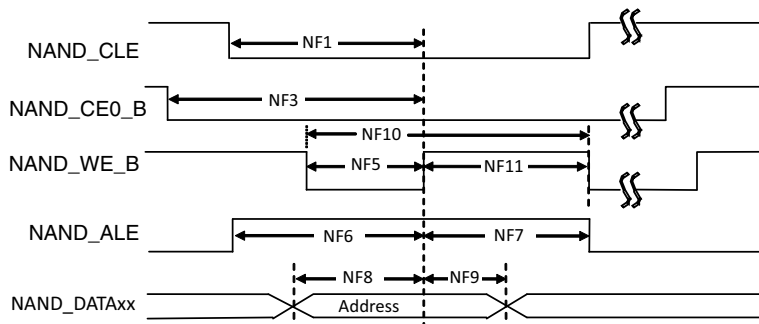


Figure 22. Address Latch cycle timing diagram

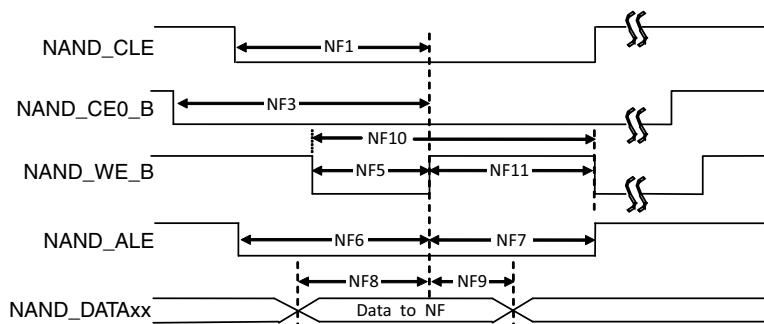


Figure 23. Write Data Latch cycle timing diagram

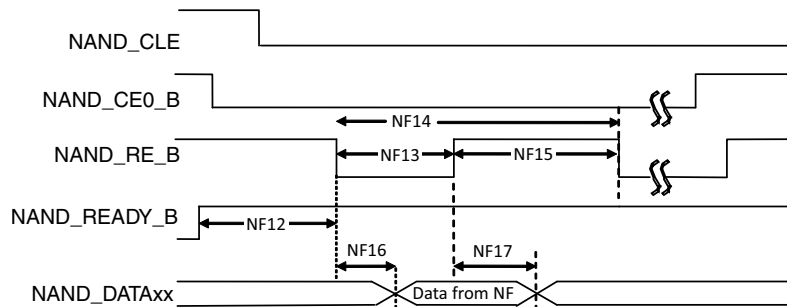


Figure 24. Read Data Latch cycle timing diagram (Non-EDO Mode)

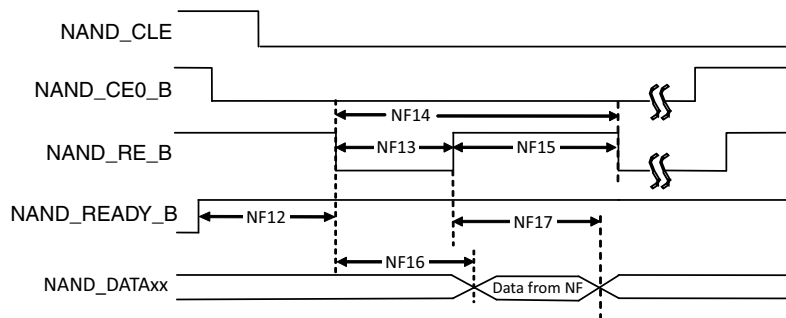


Figure 25. Read Data Latch cycle timing diagram (EDO mode)

Table 49. Asynchronous mode timing parameters<sup>1</sup>

| ID   | Parameter                | Symbol           | Timing<br>T = GPMI Clock Cycle                          |      | Unit |
|------|--------------------------|------------------|---|------|------|
|      |                          |                  | Min.  | Max. |      |
| NF1  | NAND_CLE setup time      | tCLS             | $(AS + DS) \times T - 0.12$ [see notes <sup>2,3</sup> ] |      | ns   |
| NF2  | NAND_CLE hold time       | tCLH             | $DH \times T - 0.72$ [see note <sup>2</sup> ]           |      | ns   |
| NF3  | NAND_CE0_B setup time    | tCS              | $(AS + DS + 1) \times T$ [see notes <sup>3,2</sup> ]    |      | ns   |
| NF4  | NAND_CE0_B hold time     | tCH              | $(DH+1) \times T - 1$ [see note <sup>2</sup> ]          |      | ns   |
| NF5  | NAND_WE_B pulse width    | tWP              | $DS \times T$ [see note <sup>2</sup> ]                  |      | ns   |
| NF6  | NAND_ALE setup time      | tALS             | $(AS + DS) \times T - 0.49$ [see notes <sup>3,2</sup> ] |      | ns   |
| NF7  | NAND_ALE hold time       | tALH             | $DH \times T - 0.42$ [see note <sup>2</sup> ]           |      | ns   |
| NF8  | Data setup time          | tDS              | $DS \times T - 0.26$ [see note <sup>2</sup> ]           |      | ns   |
| NF9  | Data hold time           | tDH              | $DH \times T - 1.37$ [see note <sup>2</sup> ]           |      | ns   |
| NF10 | Write cycle time         | tWC              | $(DS + DH) \times T$ [see note <sup>2</sup> ]           |      | ns   |
| NF11 | NAND_WE_B hold time      | tWH              | $DH \times T$ [see note <sup>2</sup> ]                  |      | ns   |
| NF12 | Ready to NAND_RE_B low   | tRR <sup>4</sup> | $(AS + 2) \times T$ [see <sup>3,2</sup> ]               | —    | ns   |
| NF13 | NAND_RE_B pulse width    | tRP              | $DS \times T$ [see note <sup>2</sup> ]                  |      | ns   |
| NF14 | READ cycle time          | tRC              | $(DS + DH) \times T$ [see note <sup>2</sup> ]           |      | ns   |
| NF15 | NAND_RE_B high hold time | tREH             | $DH \times T$ [see note <sup>2</sup> ]                  |      | ns   |

Table 49. Asynchronous mode timing parameters<sup>1</sup> (continued)

| ID   | Parameter          | Symbol | Timing<br>T = GPMI Clock Cycle         |   | Unit |
|------|--------------------|--------|--|---|------|
|      |                    |        | Min.                                   | Max.  |      |
| NF16 | Data setup on read | tDSR   | —                                      | (DS × T - 0.67)/18.38 [see notes <sup>5,6</sup> ] | ns   |
| NF17 | Data hold on read  | tDHR   | 0.82/11.83 [see notes <sup>5,6</sup> ] | —   | ns   |

<sup>1</sup> GPMI's Asynchronous mode output timing can be controlled by the module's internal registers HW\_GPMI\_TIMING0\_ADDRESS\_SETUP, HW\_GPMI\_TIMING0\_DATA\_SETUP, and HW\_GPMI\_TIMING0\_DATA\_HOLD. This AC timing depends on these registers settings. In the table, AS/DS/DH represents each of these settings.

<sup>2</sup> AS minimum value can be 0, while DS/DH minimum value is 1.

<sup>3</sup> T = GPMI clock period - 0.075 ns (half of maximum p-p jitter).

<sup>4</sup> NF12 is guaranteed by the design.

<sup>5</sup> Non-EDO mode.

<sup>6</sup> EDO mode, GPMI clock ≈ 100 MHz  
(AS=DS=DH=1, GPMI\_CTL1 [RDN\_DELAY] = 8, GPMI\_CTL1 [HALF\_PERIOD] = 0).

In EDO mode (Figure 24), NF16/NF17 are different from the definition in non-EDO mode (Figure 23). They are called tREA/tRHOH (RE# access time/RE# HIGH to output hold). The typical values for them are 16 ns (max for tREA)/15 ns (min for tRHOH) at 50 MB/s EDO mode. In EDO mode, GPMI samples NAND\_DATAxx at the rising edge of delayed NAND\_RE\_B provided by an internal DPLL. The delay value can be controlled by GPMI\_CTRL1.RDN\_DELAY (see the GPMI chapter of the *i.MX 8M Dual / 8M QuadLite / 8M Quad Applications Processor Reference Manual* [IMX8MDQLQRM]). The typical value of this control register is 0x8 at 50 MT/s EDO mode. But if the board delay is big enough and cannot be ignored, the delay value should be made larger to compensate the board delay.

### 3.9.4.2 Source synchronous mode AC timing (ONFI 2.x compatible)

Figure 26 to Figure 28 show the write and read timing of Source Synchronous mode.

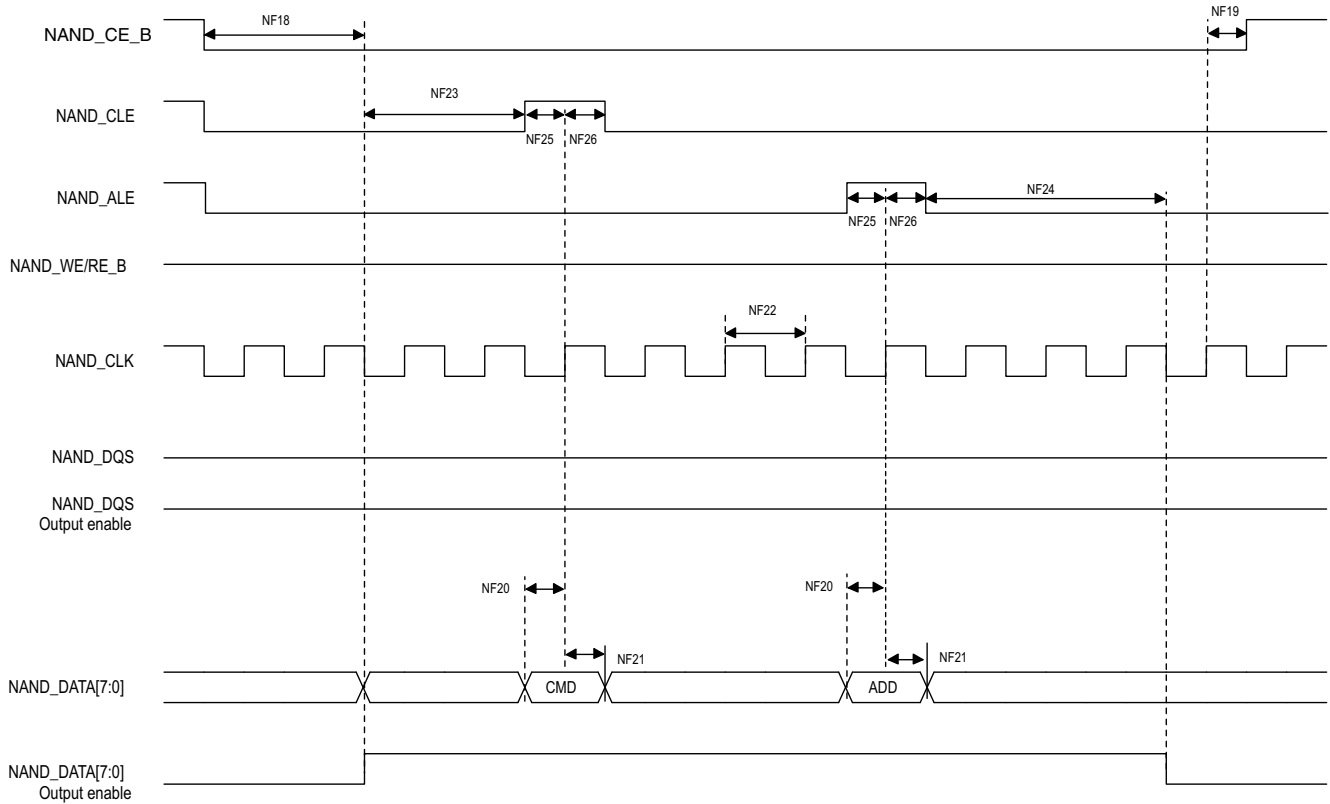
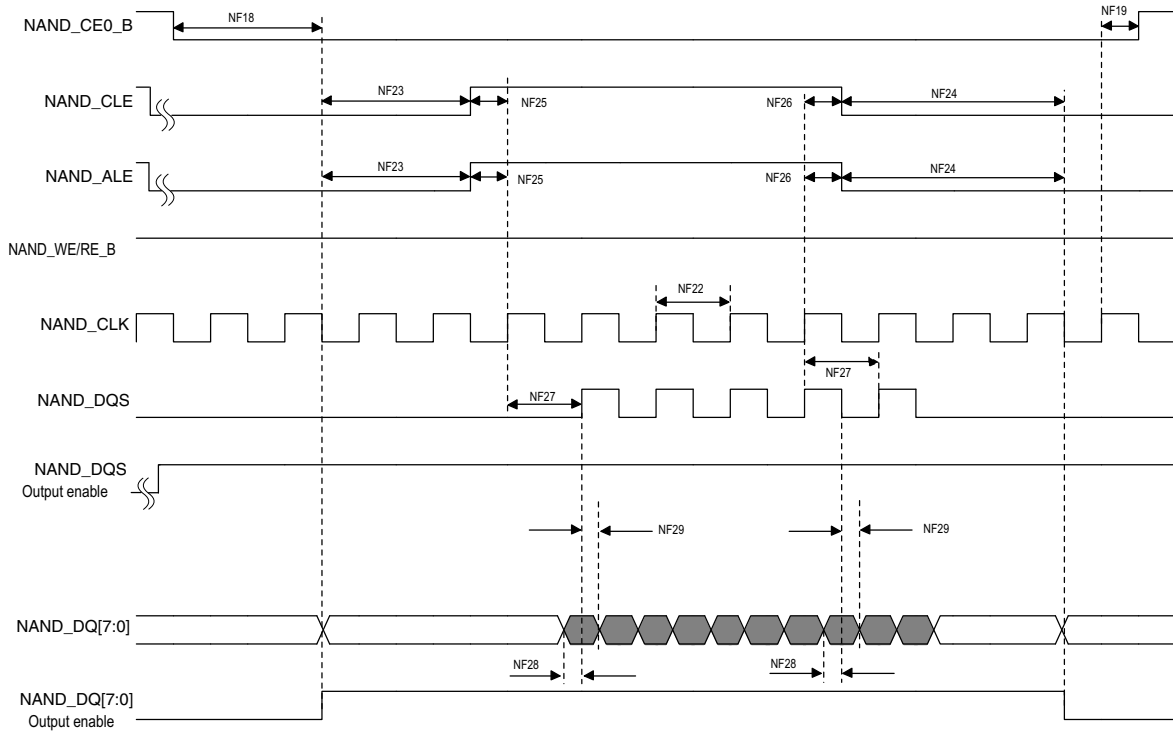
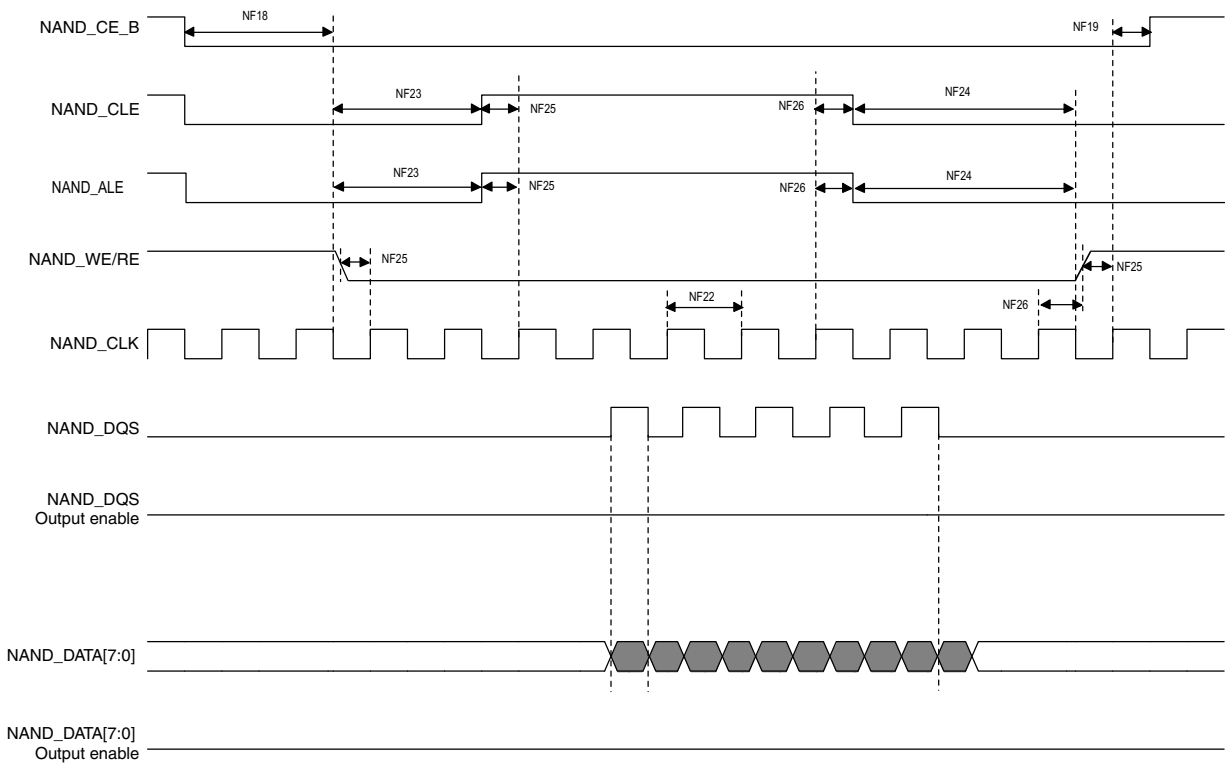


Figure 26. Source Synchronous mode command and address timing diagram

## Electrical characteristics



**Figure 27. Source Synchronous mode data write timing diagram**



**Figure 28. Source Synchronous mode data read timing diagram**



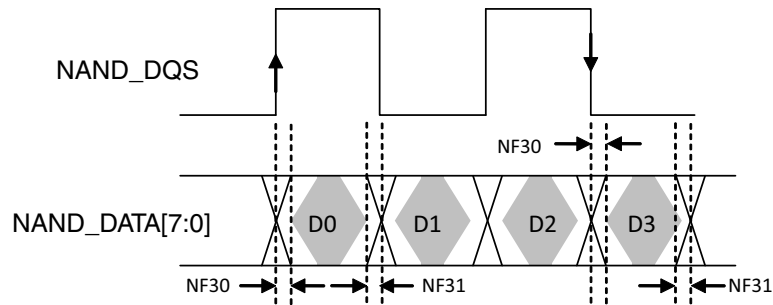


Figure 29. NAND\_DQS/NAND\_DQ read valid window

Table 50. Source Synchronous mode timing parameters<sup>1</sup>

| ID   | Parameter                                      | Symbol | Timing<br>T = GPMI Clock Cycle                 |      | Unit |
|------|--|--------|--|------|------|
|      |  |        | Min.   | Max. |      |
| NF18 | NAND_CEO_B access time                         | tCE    | CE_DELAY × T - 0.79 [see note <sup>2</sup> ]   |      | ns   |
| NF19 | NAND_CEO_B hold time                           | tCH    | 0.5 × tCK - 0.63 [see note <sup>2</sup> ]      |      | ns   |
| NF20 | Command/address NAND_DATAxx setup time         | tCAS   | 0.5 × tCK - 0.05                               |      | ns   |
| NF21 | Command/address NAND_DATAxx hold time          | tCAH   | 0.5 × tCK - 1.23                               |      | ns   |
| NF22 | clock period                                   | tCK    | —  |      | ns   |
| NF23 | preamble delay                                 | tPRE   | PRE_DELAY × T - 0.29 [see note <sup>2</sup> ]  |      | ns   |
| NF24 | postamble delay                                | tPOST  | POST_DELAY × T - 0.78 [see note <sup>2</sup> ] |      | ns   |
| NF25 | NAND_CLE and NAND_ALE setup time               | tCALS  | 0.5 × tCK - 0.86                               |      | ns   |
| NF26 | NAND_CLE and NAND_ALE hold time                | tCALH  | 0.5 × tCK - 0.37                               |      | ns   |
| NF27 | NAND_CLK to first NAND_DQS latching transition | tDQSS  | T - 0.41 [see note <sup>2</sup> ]              |      | ns   |
| NF28 | Data write setup                               | —      | 0.25 × tCK - 0.35                              |      | —    |
| NF29 | Data write hold                                | —      | 0.25 × tCK - 0.85                              |      | —    |
| NF30 | NAND_DQS/NAND_DQ read setup skew               | —      | —  | 2.06 | —    |
| NF31 | NAND_DQS/NAND_DQ read hold skew                | —      | —  | 1.95 | —    |

<sup>1</sup> GPMI's Source Synchronous mode output timing can be controlled by the module's internal registers GPMI\_TIMING2\_CE\_DELAY, GPMI\_TIMING2\_PREAMBLE\_DELAY, GPMI\_TIMING2\_POST\_DELAY. This AC timing depends on these registers settings. In the table, CE\_DELAY/PREAMBLE\_DELAY/POST\_DELAY represents each of these settings.

<sup>2</sup> T = tCK(GPMI clock period) - 0.075 ns (half of maximum p-p jitter).

For DDR Source Synchronous mode, Figure 29 shows the timing diagram of NAND\_DQS/NAND\_DATAxx read valid window. The typical value of tDQSQ is 0.85 ns (max) and 1 ns (max) for tQHS at 200 MB/s. GPMI will sample NAND\_DATA[7:0] at both rising and falling edge of an delayed NAND\_DQS signal, which can be provided by an internal DPLL. The delay value can be controlled by GPMI register GPMI\_READ\_DDR\_DLL\_CTRL.SLV\_DLY\_TARGET (see the GPMI chapter of the *i.MX 8M Dual / 8M QuadLite / 8M Quad Applications Processor Reference Manual [IMX8MDQLQRM]*). Generally, the typical delay value of this register is equal to 0x7 which means 1/4 clock cycle delay expected. But if the board delay is big enough and cannot be ignored, the delay value should be made larger to compensate the board delay.

### 3.9.4.3 ONFI NV-DDR2 mode (ONFI 3.2 compatible)

#### 3.9.4.3.1 Command and address timing

ONFI 3.2 mode command and address timing is the same as ONFI 1.0 compatible Async mode AC timing. See [Section 3.9.4.1, Asynchronous mode AC timing \(ONFI 1.0 compatible\)](#),” for details.

#### 3.9.4.3.2 Read and write timing

ONFI 3.2 mode read and write timing is the same as Toggle mode AC timing. See [Section 3.9.4.4, Toggle mode AC Timing](#),” for details.

### 3.9.4.4 Toggle mode AC Timing

#### 3.9.4.4.1 Command and address timing

**NOTE**

Toggle mode command and address timing is the same as ONFI 1.0 compatible Asynchronous mode AC timing. See [Section 3.9.4.1, Asynchronous mode AC timing \(ONFI 1.0 compatible\)](#),” for details.

#### 3.9.4.4.2 Read and write timing

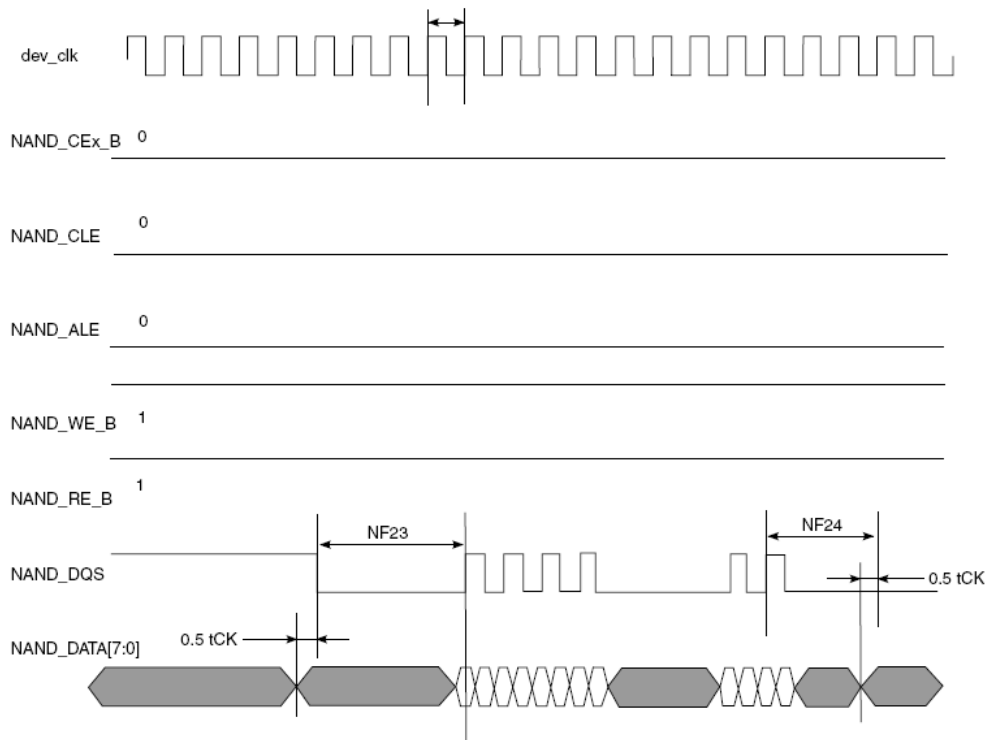


Figure 30. Toggle mode data write timing

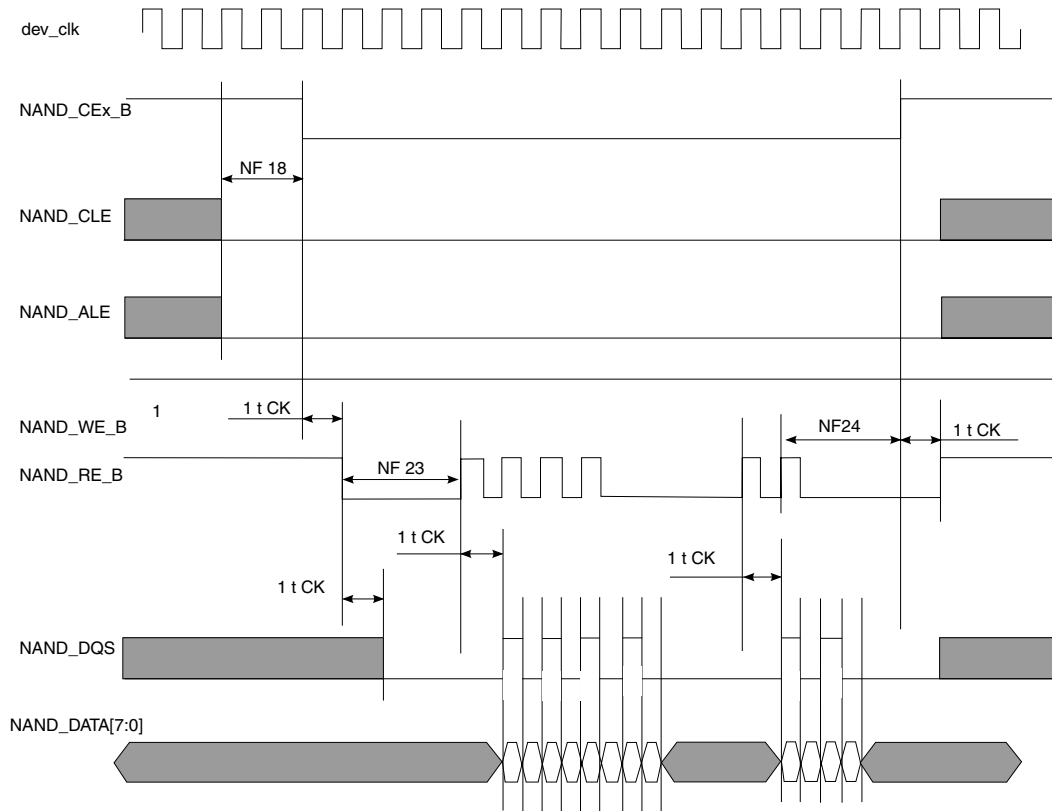


Figure 31. Toggle mode data read timing

Table 51. Toggle mode timing parameters<sup>1</sup>

| ID   | Parameter                              | Symbol | Timing<br>T = GPML Clock Cycle                         |      | Unit |
|------|--|--------|--|------|------|
|      |  |        | Min.   | Max. |      |
| NF1  | NAND_CLE setup time                    | tCLS   | $(AS + DS) \times T - 0.12$ [see note <sup>2,3</sup> ] |      |      |
| NF2  | NAND_CLE hold time                     | tCLH   | $DH \times T - 0.72$ [see note <sup>2</sup> ]          |      |      |
| NF3  | NAND_CE0_B setup time                  | tCS    | $(AS + DS) \times T - 0.58$ [see notes <sup>2</sup> ]  |      |      |
| NF4  | NAND_CE0_B hold time                   | tCH    | $DH \times T - 1$ [see note <sup>2</sup> ]             |      |      |
| NF5  | NAND_WE_B pulse width                  | tWP    | $DS \times T$ [see note <sup>2</sup> ]                 |      |      |
| NF6  | NAND_ALE setup time                    | tALS   | $(AS + DS) \times T - 0.49$ [see notes <sup>2</sup> ]  |      |      |
| NF7  | NAND_ALE hold time                     | tALH   | $DH \times T - 0.42$ [see note <sup>2</sup> ]          |      |      |
| NF8  | Command/address NAND_DATAxx setup time | tCAS   | $DS \times T - 0.26$ [see note <sup>2</sup> ]          |      |      |
| NF9  | Command/address NAND_DATAxx hold time  | tCAH   | $DH \times T - 1.37$ [see note <sup>2</sup> ]          |      |      |
| NF18 | NAND_CEx_B access time                 | tCE    | $CE\_DELAY \times T$ [see notes <sup>4,2</sup> ]       | —    | ns   |
| NF22 | clock period                           | tCK    | —  | —    | ns   |
| NF23 | preamble delay                         | tPRE   | $PRE\_DELAY \times T$ [see notes <sup>5,2</sup> ]      | —    | ns   |

Table 51. Toggle mode timing parameters<sup>1</sup> (continued)

| ID   | Parameter                        | Symbol             | Timing<br>T = GPMI Clock Cycle                 |      | Unit |
|------|----------------------------------|--------------------|--|------|------|
|      |                                  |                    | Min.   | Max. |      |
| NF24 | postamble delay                  | tPOST              | POST_DELAY × T + 0.43 [see note <sup>2</sup> ] | —    | ns   |
| NF28 | Data write setup                 | tDS <sup>6</sup>   | 0.25 × tCK - 0.32                              | —    | ns   |
| NF29 | Data write hold                  | tDH <sup>6</sup>   | 0.25 × tCK - 0.79                              | —    | ns   |
| NF30 | NAND_DQS/NAND_DQ read setup skew | tDQSQ <sup>7</sup> | —  | 3.18 | ns   |
| NF31 | NAND_DQS/NAND_DQ read hold skew  | tQHS <sup>7</sup>  | —  | 3.27 | ns   |

<sup>1</sup> The GPMI toggle mode output timing can be controlled by the module's internal registers HW\_GPMI\_TIMING0\_ADDRESS\_SETUP, HW\_GPMI\_TIMING0\_DATA\_SETUP, and HW\_GPMI\_TIMING0\_DATA\_HOLD. This AC timing depends on these register's settings. In the table, AS/DS/DH represents each of these settings.

<sup>2</sup> AS minimum value can be 0, while DS/DH minimum value is 1.

<sup>3</sup> T = tCK (GPMI clock period) - 0.075 ns (half of maximum p-p jitter).

<sup>4</sup> CE\_DELAY represents HW\_GPMI\_TIMING2[CE\_DELAY]. NF18 is guaranteed by the design. Read/Write operation is started with enough time of ALE/CLE assertion to low level.

<sup>5</sup> PRE\_DELAY+1 ≥ (AS+DS)

<sup>6</sup> Shown in Figure 30.

<sup>7</sup> Shown in Figure 31.

For DDR Toggle mode, Figure 29 shows the timing diagram of NAND\_DQS/NAND\_DATA<sub>xx</sub> read valid window. The typical value of tDQSQ is 1.4 ns (max) and 1.4 ns (max) for tQHS at 133 MB/s. GPMI samples NAND\_DATA[7:0] at both the rising and falling edges of a delayed NAND\_DQS signal, which is provided by an internal DPLL. The delay value of this register can be controlled by the GPMI register GPMI\_READ\_DDR\_DLL\_CTRL.SLV\_DLY\_TARGET (see the GPMI chapter of the *i.MX 8M Dual / 8M QuadLite / 8M Quad Applications Processor Reference Manual* [IMX8MDQLQRM]). Generally, the typical delay value is equal to 0x7, which means a 1/4 clock cycle delay is expected. But if the board delay is big enough and cannot be ignored, the delay value should be made larger to compensate the board delay.

### 3.9.5 HDMI 2.0 Tx module timing parameters

See the following specifications:

- HDMI 2.0a specification (HDMI.org)
- DisplayPort 1.3 standard (VESA.org)
  - DP supports 1.6 GHz (RBR), 2.7 GHz (HBR), and 5.4 GHz (HBR2) rates. Those rates are managed in API (Host).
  - RBR supports 1080p60 (RGB 8b), HBR supports 4kp30 (RGB 8b) and HBR2 supports 4kp60 (RGB 8b).

See bandwidth details below.

Effective bandwidth per rate with 4 lanes:

— RBR: 1.62 × 4 × 8 / 10 = 5.184 Gbps

— HBR: 2.7 × 4 × 8 / 10 = 8.64 Gbps

- HBR2:  $1.62 \times 4 \times 8 / 10 = 17.28$  Gbps
- Bandwidth required per resolution (CEA-861-F):
  - 1920 x 1080 (24 b/px) 60 fps: 3.56 Gbps
  - 3840 x 2160 (24 b/px) 30 fps: 7.13 Gbps
  - 3840 x 2160 (24 b/px) 30 fps: 14.26 Gbps
- Embedded DisplayPort 1.4 standard (VESA.org)
  - eDP link rates: R216 (2.16 Gbps), R243 (2.43 Gbps), R324 (3.24 Gbps), and R432 (4.32 Gbps)
  - Fast Link Training is also supported

DDC link requires external pull-up resistors to be connected to a 5 V supply. The following table provides the range for those pull-ups.

**Table 52. Pull-up resistors for DDC link**

| Ball Name        | Min | Typ | Max | Unit       |
|------------------|-----|-----|-----|------------|
| HDMI_TX0_DDC_SCL | 1.5 | —   | 2   | K $\Omega$ |
| HDMI_TX0_DDC_SDA | 1.5 | —   | 2   | K $\Omega$ |

### 3.9.6 I<sup>2</sup>C bus characteristics

The Inter-Integrated Circuit (I2C) provides functionality of a standard I2C master and slave. The I2C is designed to be compatible with the I2C Bus Specification, version 2.1, by Philips Semiconductor (now NXP Semiconductors).

### 3.9.7 MIPI D-PHY timing parameters

This section describes MIPI D-PHY electrical specifications.

#### 3.9.7.1 MIPI HS-TX specifications

**Table 53. MIPI high-speed transmitter DC specifications**

| Symbol                      | Parameter   | Min | Typ | Max  | Unit     |
|-----------------------------|---|-----|-----|------|----------|
| $V_{CMTX}^1$                | High Speed Transmit Static Common Mode Voltage                      | 150 | 200 | 250  | mV       |
| $ \Delta V_{CMTX} _{(1,0)}$ | $V_{CMTX}$ mismatch when Output is Differential-1 or Differential-0 | —   | —   | 3    | mV       |
| $ V_{OD} ^1$                | High Speed Transmit Differential Voltage                            | 140 | 200 | 270  | mV       |
| $ \Delta V_{OD} $           | $V_{OD}$ mismatch when Output is Differential-1 or Differential-0   | —   | —   | 12   | mV       |
| $V_{OHHS}^1$                | High Speed Output High Voltage                                      | —   | —   | 360  | mV       |
| $Z_{OS}$                    | Single Ended Output Impedance                                       | 40  | 50  | 62.5 | $\Omega$ |
| $\Delta Z_{OS}$             | Single Ended Output Impedance Mismatch                              | —   | —   | 10   | %        |

<sup>1</sup> Value when driving into load impedance anywhere in the  $Z_{ID}$  range.

## Electrical characteristics

**Table 54. MIPI high-speed transmitter AC specifications**

| Symbol                       | Parameter                                 | Min | Typ | Max    | Unit               |
|------------------------------|---|-----|-----|--------|--------------------|
| $\Delta V_{\text{CMTX(HF)}}$ | Common-level variations above 450 MHz     | —   | —   | 8      | mV <sub>RMS</sub>  |
| $\Delta V_{\text{CMTX(LF)}}$ | Common-level variation between 50-450 MHz | —   | —   | 10     | mV <sub>PEAK</sub> |
| $t_R$ and $t_F$ <sup>1</sup> | Rise Time and Fall Time (20% to 80%)      | 160 | —   | 0.3 UI | ps                 |

<sup>1</sup> UI is the long-term average unit interval.

### 3.9.7.2 MIPI LP-TX specifications

**Table 55. MIPI low-power transmitter DC specifications**

| Symbol                        | Parameter                                 | Min | Typ | Max | Unit     |
|-------------------------------|---|-----|-----|-----|----------|
| $V_{\text{OH}}$ <sup>1</sup>  | Thevenin Output High Level                | 1.1 | 1.2 | 1.3 | V        |
| $V_{\text{OL}}$               | Thevenin Output Low Level                 | -50 | —   | 50  | mV       |
| $Z_{\text{OLP}}$ <sup>2</sup> | Output Impedance of Low Power Transmitter | 110 | —   | —   | $\Omega$ |

<sup>1</sup> This specification can only be met when limiting the core supply variation from 1.1 V to 1.3 V.

<sup>2</sup> Although there is no specified maximum for  $Z_{\text{OLP}}$ , the LP transmitter output impedance ensures the  $T_{\text{RLP}}/T_{\text{FLP}}$  specification is met.

**Table 56. MIPI low-power transmitter AC specifications**

| Symbol   | Parameter  | Min | Typ | Max | Unit  |
|--|--|-----|-----|-----|-------|
| $T_{\text{RLP}}/T_{\text{FLP}}$ <sup>1</sup>       | 15% to 85% Rise Time and Fall Time   | —   | —   | 25  | ns    |
| $T_{\text{REOT}}$ <sup>1,2,3</sup>                 | 30% to 85% Rise Time and Fall Time   | —   | —   | 35  | ns    |
| $T_{\text{LP-PULSE-TX}}$ <sup>4</sup>              | Pulse width of the LP exclusive-OR clock: First LP exclusive-OR clock pulse after Stop state or last pulse before Stop state | 40  | —   | —   | ns    |
|  | Pulse width of the LP exclusive-OR clock: All other pulses   | 20  | —   | —   | ns    |
| $T_{\text{LP-PER-TX}}$                             | Period of the LP exclusive-OR clock  | 90  | —   | —   | ns    |
| $\delta V/\delta t_{\text{SR}}$ <sup>1,5,6,7</sup> | Slew Rate @ $C_{\text{LOAD}} = 0$ pF   | 30  | —   | 500 | mV/ns |
|  | Slew Rate @ $C_{\text{LOAD}} = 5$ pF   | 30  | —   | 200 | mV/ns |
|  | Slew Rate @ $C_{\text{LOAD}} = 20$ pF  | 30  | —   | 150 | mV/ns |
|  | Slew Rate @ $C_{\text{LOAD}} = 70$ pF  | 30  | —   | 100 | mV/ns |
| $C_{\text{LOAD}}$                                  | Load Capacitance   | 0   | —   | 70  | pF    |

<sup>1</sup>  $C_{\text{LOAD}}$  includes the low equivalent transmission line capacitance of TX and RX are assumed to always be < 10 pF. The distributed line capacitance can be up to 50 pF for a transmission line with 2 ns delay.

<sup>2</sup> The rise-time of  $T_{\text{REOT}}$  starts from the HS common-level at the moment when the differential amplitude drops below 70 mV, due to stopping of the differential drive.

<sup>3</sup> With an additional load capacitance CCM between 0 to 60 pF on the termination center, tap at RX side of the lane.

<sup>4</sup> This parameter value can be lower than TLPX, due to differences in rise vs. fall signal slopes, trip levels, and mismatches between Dp and Dn LP transmitters. Any LP exclusive-OR pulse observed during HS EoT (transition from HS level to LP-11) is glitch behavior as described in Low-Power Receiver section.

<sup>5</sup> When the output voltage is between 15% and 85% of the fully settled LP signal levels.

<sup>6</sup> Measured as average across any 50 mV segment of the output signal transition.

<sup>7</sup> This value represents a corner point in a piecewise linear curve.

### 3.9.7.3 MIPI LP-RX specifications

Table 57. MIPI low power receiver DC specifications

| Symbol        | Parameter                               | Min | Typ | Max  | Unit |
|---------------|---|-----|-----|------|------|
| $V_{IH}$      | Logic 1 input voltage                   | 880 | —   | 1300 | mV   |
| $V_{IL}$      | Logic 0 input voltage, not in ULP state | —   | —   | 550  | mV   |
| $V_{IL-ULPS}$ | Logic 0 input voltage, ULP state        | —   | —   | 300  | mV   |
| $V_{HYST}$    | Input hysteresis                        | 25  | —   | —    | mV   |

Table 58. MIPI low power receiver AC specifications

| Symbol            | Parameter                    | Min | Typ | Max | Unit |
|-------------------|------------------------------|-----|-----|-----|------|
| $e_{SPIKE}^{1,2}$ | Input pulse rejection        | —   | —   | 300 | V.ps |
| $T_{MIN-RX}^3$    | Minimum pulse width response | 20  | 0   | 0   | ns   |
| $V_{INT}$         | Peak Interference amplitude  | —   | —   | 200 | mV   |
| $f_{INT}$         | Interference frequency       | 450 | —   | —   | MHz  |

<sup>1</sup> Time-voltage integration of a spike above  $V_{IL}$  when in LP-0 state or below  $V_{IH}$  when in LP-1 state.

<sup>2</sup> An impulse below this value will not change the receiver state.

<sup>3</sup> An input pulse greater than this value shall toggle the output.

### 3.9.7.4 MIPI LP-CD specifications

Table 59. MIPI contention detector DC specifications

| Symbol     | Parameter                    | Min | Typ | Max | Unit |
|------------|------------------------------|-----|-----|-----|------|
| $V_{IHCD}$ | Logic 1 contention threshold | 450 | —   | —   | mV   |
| $V_{ILCD}$ | Logic 0 contention threshold | —   | —   | 200 | mV   |

### 3.9.7.5 MIPI DC specifications

Table 60. MIPI input characteristics DC specifications

| Symbol       | Parameter                | Min | Typ | Max  | Unit    |
|--------------|--------------------------|-----|-----|------|---------|
| $V_{PIN}$    | Pad signal voltage range | -50 | —   | 1350 | mV      |
| $I_{LEAK}^1$ | Pin leakage current      | -30 | —   | 30   | $\mu A$ |
| $V_{GNDSH}$  | Ground shift             | -50 | —   | 50   | mV      |

## Electrical characteristics

**Table 60. MIPI input characteristics DC specifications (continued)**

|                      |   |       |   |      |    |
|----------------------|---|-------|---|------|----|
| $V_{PIN(absmax)}^2$  | Maximum pin voltage level   | -0.15 | — | 1.45 | V  |
| $T_{VPIN(absmax)}^3$ | Maximum transient time above $V_{PIN(max)}$ or below $V_{PIN(min)}$ | —     | — | 20   | ns |

<sup>1</sup> When the pad voltage is within the signal voltage range between  $V_{GNDSh(min)}$  to  $V_{OH} + V_{GNDSh(max)}$  and the Lane Module is in LP receive mode.

<sup>2</sup> This value includes ground shift.

<sup>3</sup> The voltage overshoot and undershoot beyond the  $V_{PIN}$  is only allowed during a single 20 ns window after any LP-0 to LP-1 transition or vice versa. For all other situations it must stay within the  $V_{PIN}$  range.

## 3.9.8 PCIe PHY parameters

The PCIe interface is designed to be compatible with PCIe specification Gen2 x1 lane and supports the PCI Express 1.1/2.0 standard.

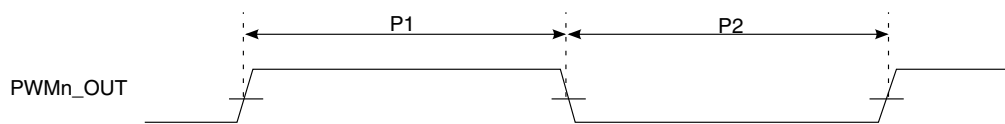
### 3.9.8.1 PCIe\_RESREF reference resistor connection

The impedance calibration process requires connection of reference resistor 200  $\Omega$ . 1% precision resistor on PCIe\_RESREF pads to ground. It is used for termination impedance calibration.

## 3.9.9 Pulse width modulator (PWM) timing parameters

This section describes the electrical information of the PWM. The PWM can be programmed to select one of three clock signals as its source frequency. The selected clock signal is passed through a prescaler before being input to the counter. The output is available at the pulse-width modulator output (PWMO) external pin.

Figure 32 depicts the timing of the PWM, and Table 61 lists the PWM timing parameters.



**Figure 32. PWM timing**

**Table 61. PWM output timing parameters**

| ID | Parameter                   | Min | Max              | Unit |
|----|-----------------------------|-----|------------------|------|
|    | PWM Module Clock Frequency  | 0   | ipg_clk (66 MHz) | MHz  |
| P1 | PWM output pulse width high | 15  | —                | ns   |
| P2 | PWM output pulse width low  | 15  | —                | ns   |

### 3.9.10 Quad SPI (QSPI) timing parameters

This section describes the electrical information for QSPI.



Measurement is with a load of 35 pF on SCK and SIO pins and an input slew rate of 1 V/ns.

### 3.9.10.1 SDR Mode

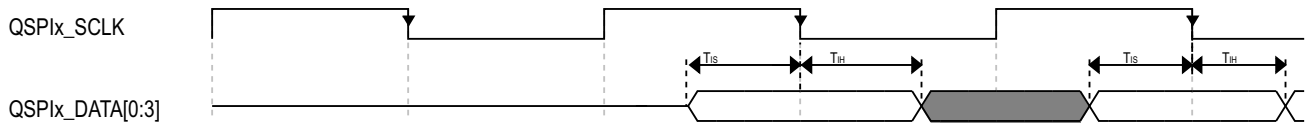


Figure 33. QuadSPI input/read timing (SDR mode with internal sampling)

Table 62. QuadSPI input timing (SDR mode with internal sampling)

| Symbol   | Parameter                               | Value |     | Unit |
|----------|---|-------|-----|------|
|          |   | Min   | Max |      |
| $T_{IS}$ | Setup time for incoming data            | 8.67  | —   | ns   |
| $T_{IH}$ | Hold time requirement for incoming data | 0     | —   | ns   |

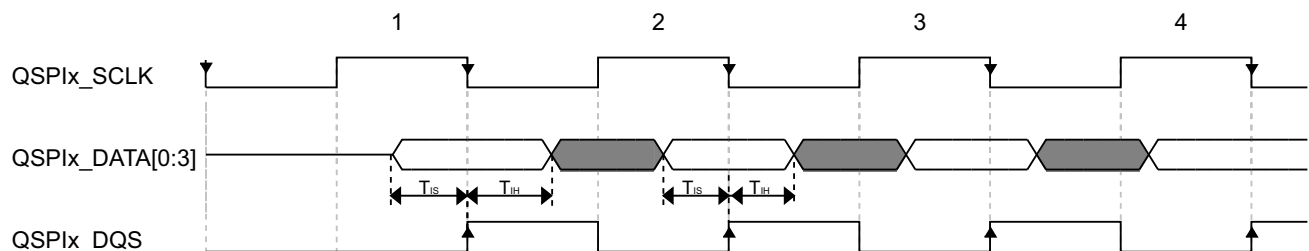


Figure 34. QuadSPI input/read timing (SDR mode with loopback DQS sampling)

Table 63. QuadSPI input/read timing (SDR mode with loopback DQS sampling)

| Symbol   | Parameter                               | Value |     | Unit |
|----------|---|-------|-----|------|
|          |   | Min   | Max |      |
| $T_{IS}$ | Setup time for incoming data            | 2     | —   | ns   |
| $T_{IH}$ | Hold time requirement for incoming data | 1     | —   | ns   |

#### NOTE

- For internal sampling, the timing values assume using sample point 0, that is QuadSPIx\_SMPR[SDRSMP] = 0.

## Electrical characteristics

- For loopback DQS sampling, the data strobe is output to the DQS pad together with the serial clock. The data strobe is looped back from DQS pad and used to sample input data.

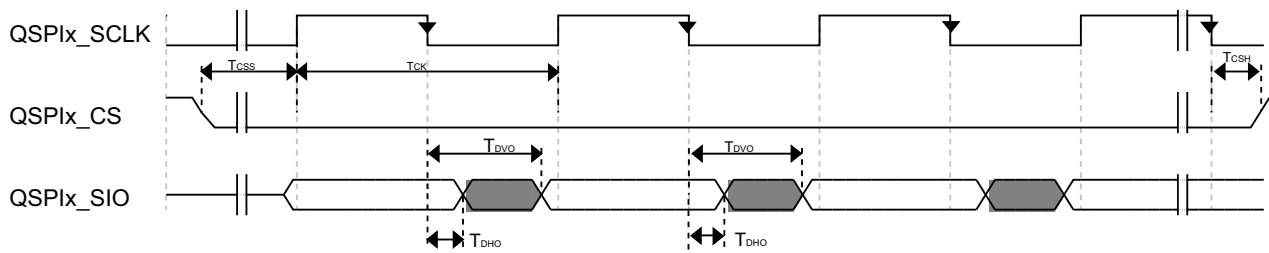


Figure 35. QuadSPI output/write timing (SDR mode)

Table 64. QuadSPI output/write timing (SDR mode)

| Symbol           | Parameter                     | Value |     | Unit |
|------------------|-------------------------------|-------|-----|------|
|                  |                               | Min   | Max |      |
| T <sub>DVO</sub> | Output data valid time        | —     | 2   | ns   |
| T <sub>DHO</sub> | Output data hold time         | -0.5  | —   | ns   |
| T <sub>CK</sub>  | SCK clock period              | 10    | —   | ns   |
| T <sub>CSS</sub> | Chip select output setup time | 3     | —   | ns   |
| T <sub>CSH</sub> | Chip select output hold time  | 3     | —   | ns   |

### NOTE

T<sub>css</sub> and T<sub>csh</sub> are configured by the QuadSPIx\_FLSHCR register; the default value of 3 is shown on the timing. See the *i.MX 8M Dual / 8M QuadLite / 8M Quad Applications Processor Reference Manual (IMX8MDQLQRM)* for more details.

### 3.9.10.2 DDR mode

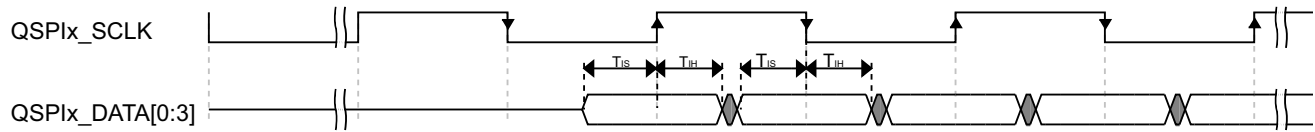


Figure 36. QuadSPI input/read timing (DDR mode with internal sampling)

Table 65. QuadSPI input/read timing (DDR mode with internal sampling)

| Symbol   | Parameter                               | Value |     | Unit |
|----------|---|-------|-----|------|
|          |   | Min   | Max |      |
| $T_{IS}$ | Setup time for incoming data            | 8.67  | —   | ns   |
| $T_{IH}$ | Hold time requirement for incoming data | 0     | —   | ns   |

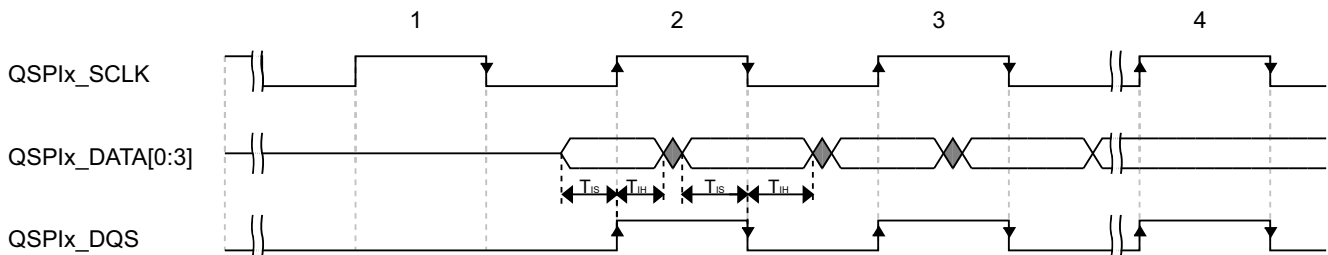


Figure 37. QuadSPI input/read timing (DDR mode with loopback DQS sampling)

Table 66. QuadSPI input/read timing (DDR mode with loopback DQS sampling)

| Symbol   | Parameter                               | Value |     | Unit |
|----------|---|-------|-----|------|
|          |   | Min   | Max |      |
| $T_{IS}$ | Setup time for incoming data            | 2     | —   | ns   |
| $T_{IH}$ | Hold time requirement for incoming data | 1     | —   | ns   |

#### NOTE

- For internal sampling, the timing values assume using sample point 0, that is  $\text{QuadSPIx\_SMPr}[\text{SDRSMP}] = 0$ .

## Electrical characteristics

- For loopback DQS sampling, the data strobe is output to the DQS pad together with the serial clock. The data strobe is looped back from DQS pad and used to sample input data.

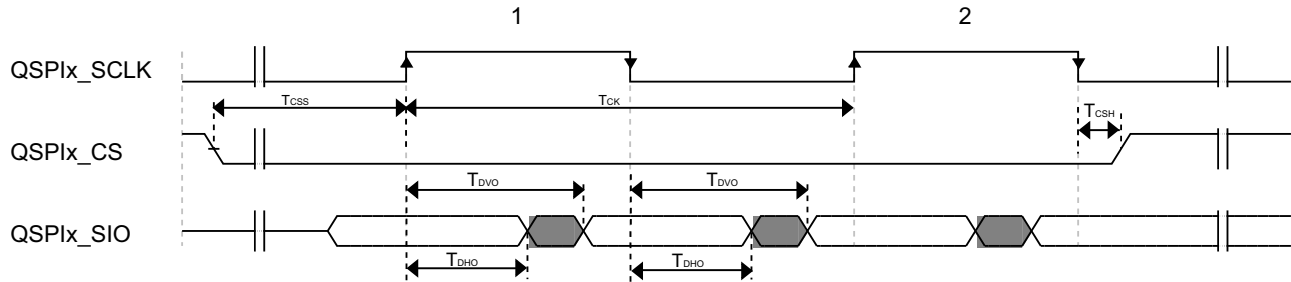


Figure 38. QuadSPI output/write timing (DDR mode)

Table 67. QuadSPI output/write timing (DDR mode)

| Symbol    | Parameter                     | Value                          |                              | Unit         |
|-----------|-------------------------------|--------------------------------|------------------------------|--------------|
|           |                               | Min                            | Max                          |              |
| $T_{DVO}$ | Output data valid time        | —                              | $(0.25 \times T_{SCLK}) + 2$ | ns           |
| $T_{DHO}$ | Output data hold time         | $(0.25 \times T_{SCLK}) - 0.5$ | —                            | ns           |
| $T_{CK}$  | SCK clock period              | 20                             | —                            | ns           |
| $T_{CSS}$ | Chip select output setup time | 3                              | —                            | SCK cycle(s) |
| $T_{CSH}$ | Chip select output hold time  | 3                              | —                            | ns           |

### NOTE

$T_{CSS}$  and  $T_{CSH}$  are configured by the QuadSPIx\_FLSHCR register; the default value of 3 is shown on the timing. See the *i.MX 8M Dual / 8M QuadLite / 8M Quad Applications Processor Reference Manual* (IMX8MDQLQRM) for more details.

### 3.9.11 SAI/I2S switching specifications

This section provides the AC timings for the SAI in Master (clocks driven) and Slave (clocks input) modes. All timings are given for non inverted serial clock polarity (SAI\_TCR[TSCKP] = 0, SAI\_RCR[RSCKP] = 0) and non inverted frame sync (SAI\_TCR[TFSI] = 0, SAI\_RCR[RFSI] = 0). If the polarity of the clock and/or the frame sync have been inverted, all the timings remain valid by inverting the clock signal (SAI\_BCLK) and/or the frame sync (SAI\_FS) shown in the figures below.

Table 68. Master mode SAI timing

| Num | Characteristic                | Min | Max | Unit        |
|-----|-------------------------------|-----|-----|-------------|
| S1  | SAI_MCLK cycle time           | 20  | —   | ns          |
| S2  | SAI_MCLK pulse width high/low | 40% | 60% | MCLK period |
| S3  | SAI_BCLK cycle time           | 40  | —   | ns          |

Table 68. Master mode SAI timing (continued)

| Num | Characteristic                             | Min | Max | Unit        |
|-----|--|-----|-----|-------------|
| S4  | SAI_BCLK pulse width high/low              | 40% | 60% | BCLK period |
| S5  | SAI_BCLK to SAI_FS output valid            | —   | 15  | ns          |
| S6  | SAI_BCLK to SAI_FS output invalid          | 0   | —   | ns          |
| S7  | SAI_BCLK to SAI_TXD valid                  | —   | 15  | ns          |
| S8  | SAI_BCLK to SAI_TXD invalid                | 0   | —   | ns          |
| S9  | SAI_RXD/SAI_FS input setup before SAI_BCLK | 15  | —   | ns          |
| S10 | SAI_RXD/SAI_FS input hold after SAI_BCLK   | 0   | —   | ns          |

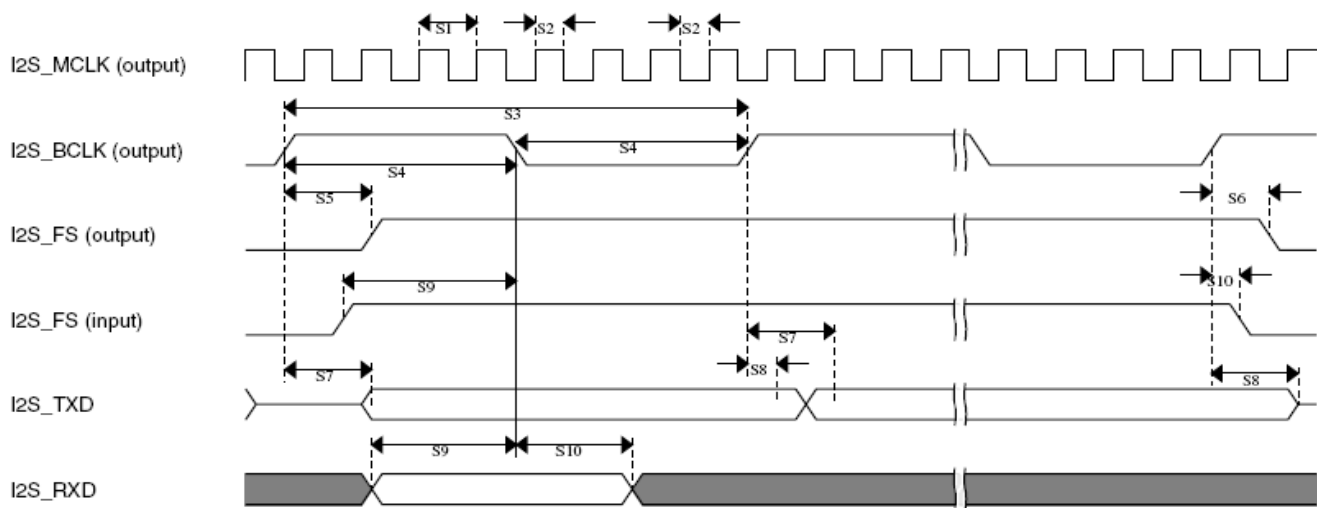


Figure 39. SAI timing—Master modes

Table 69. Slave mode SAI timing

| Num | Characteristic                            | Min | Max | Unit        |
|-----|---|-----|-----|-------------|
| S11 | SAI_BCLK cycle time (input)               | 40  | —   | ns          |
| S12 | SAI_BCLK pulse width high/low (input)     | 40% | 60% | BCLK period |
| S13 | SAI_FS input setup before SAI_BCLK        | 10  | —   | ns          |
| S14 | SAI_FA input hold after SAI_BCLK          | 2   | —   | ns          |
| S15 | SAI_BCLK to SAI_TXD/SAI_FS output valid   | —   | 20  | ns          |
| S16 | SAI_BCLK to SAI_TXD/SAI_FS output invalid | 0   | —   | ns          |
| S17 | SAI_RXD setup before SAI_BCLK             | 10  | —   | ns          |
| S18 | SAI_RXD hold after SAI_BCLK               | 2   | —   | ns          |

## Electrical characteristics

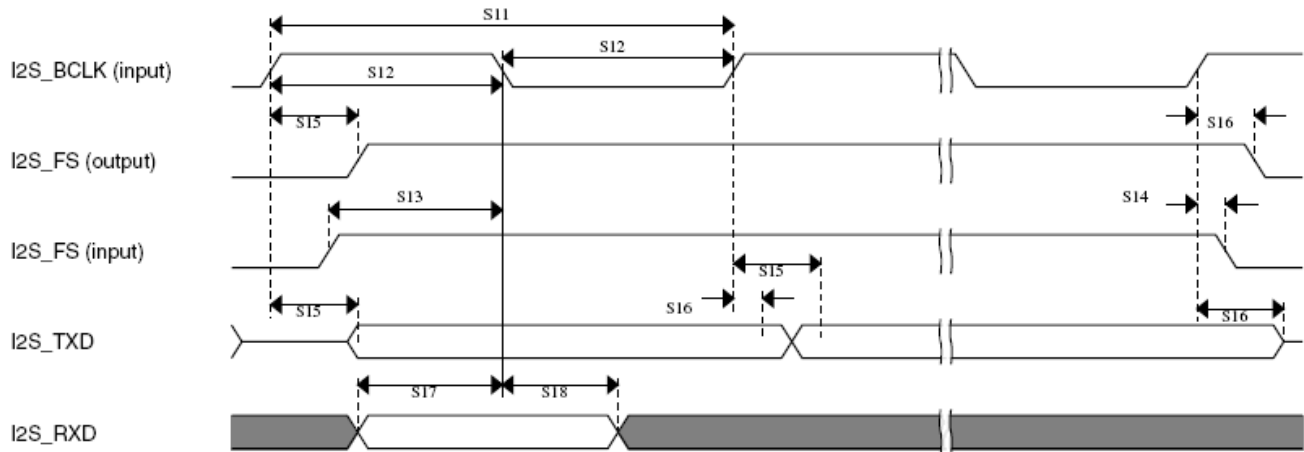


Figure 40. SAI Timing — Slave Modes

### 3.9.12 SPDIF timing parameters

The Sony/Philips Digital Interconnect Format (SPDIF) data is sent using the bi-phase marking code. When encoding, the SPDIF data signal is modulated by a clock that is twice the bit rate of the data signal.

Table 70 and Figure 41 and Figure 42 show SPDIF timing parameters for the Sony/Philips Digital Interconnect Format (SPDIF), including the timing of the modulating Rx clock (SPDIF\_SR\_CLK) for SPDIF in Rx mode and the timing of the modulating Tx clock (SPDIF\_ST\_CLK) for SPDIF in Tx mode.

Table 70. SPDIF timing parameters

| Parameter  | Symbol | Timing Parameter Range |      | Unit |
|--|--------|------------------------|------|------|
|  |        | Min                    | Max  |      |
| SPDIF_IN Skew: asynchronous inputs, no specs apply | —      | —                      | 0.7  | ns   |
| SPDIF_OUT output (Load = 50 pf)                    |        |                        |      |      |
| • Skew   | —      | —                      | 1.5  | ns   |
| • Transition rising                                | —      | —                      | 24.2 |      |
| • Transition falling                               | —      | —                      | 31.3 |      |
| SPDIF_OUT output (Load = 30 pf)                    |        |                        |      |      |
| • Skew   | —      | —                      | 1.5  | ns   |
| • Transition rising                                | —      | —                      | 13.6 |      |
| • Transition falling                               | —      | —                      | 18.0 |      |
| Modulating Rx clock (SPDIF_SR_CLK) period          | srckp  | 40.0                   | —    | ns   |
| SPDIF_SR_CLK high period                           | srckph | 16.0                   | —    | ns   |
| SPDIF_SR_CLK low period                            | srckpl | 16.0                   | —    | ns   |
| Modulating Tx clock (SPDIF_ST_CLK) period          | stckp  | 40.0                   | —    | ns   |
| SPDIF_ST_CLK high period                           | stckph | 16.0                   | —    | ns   |
| SPDIF_ST_CLK low period                            | stckpl | 16.0                   | —    | ns   |

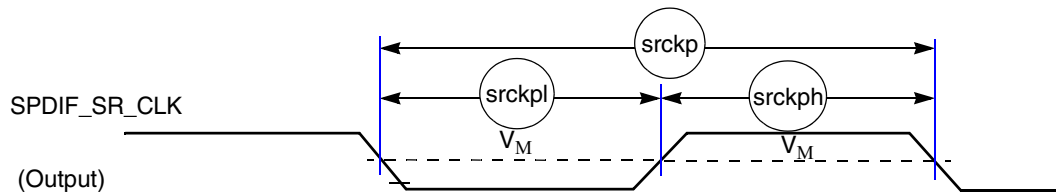


Figure 41. SPDIF\_SR\_CLK timing diagram

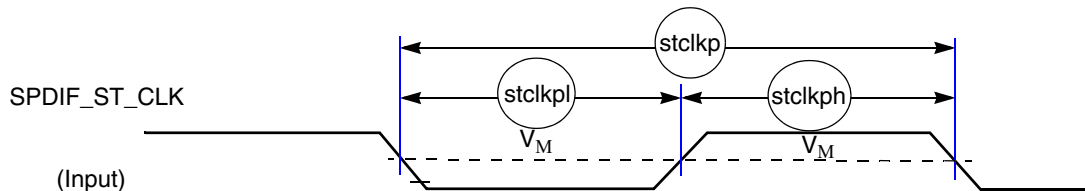


Figure 42. SPDIF\_ST\_CLK timing diagram

### 3.9.13 UART I/O configuration and timing parameters

#### 3.9.13.1 UART RS-232 I/O configuration in different modes

The UART interfaces of the i.MX 8M Dual / 8M QuadLite / 8M Quad processors can serve both as DTE or DCE device. This can be configured by the DCEDTE control bit (default 0—DCE mode). [Table 71](#) shows the UART I/O configuration based on the enabled mode.

Table 71. UART I/O configuration vs. mode

| Port          | DTE Mode  |                             | DCE Mode  |                             |
|---------------|-----------|-----------------------------|-----------|-----------------------------|
|               | Direction | Description                 | Direction | Description                 |
| UARTx_RTS_B   | Output    | UARTx_RTS_B from DTE to DCE | Input     | UARTx_RTS_B from DTE to DCE |
| UARTx_CTS_B   | Input     | UARTx_CTS_B from DCE to DTE | Output    | UARTx_CTS_B from DCE to DTE |
| UARTx_TX_DATA | Input     | Serial data from DCE to DTE | Output    | Serial data from DCE to DTE |
| UARTx_RX_DATA | Output    | Serial data from DTE to DCE | Input     | Serial data from DTE to DCE |

#### 3.9.13.2 UART RS-232 Serial mode timing

This section describes the electrical information of the UART module in the RS-232 mode.

### 3.9.13.2.1 UART transmitter

Figure 43 depicts the transmit timing of UART in the RS-232 Serial mode, with 8 data bit/1 stop bit format. Table 72 lists the UART RS-232 Serial mode transmit timing characteristics.

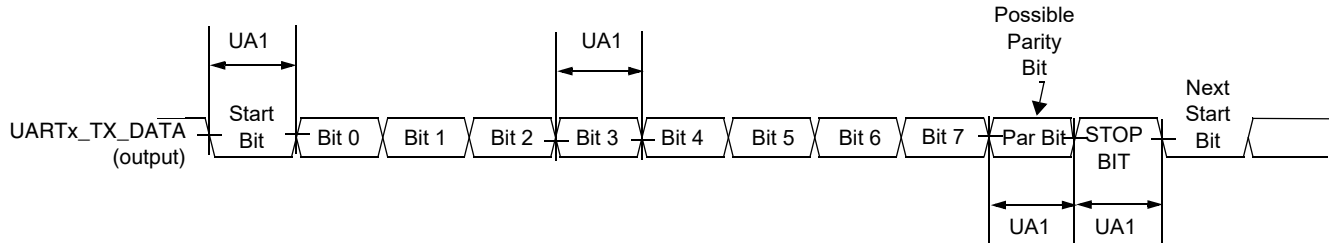


Figure 43. UART RS-232 Serial mode transmit timing diagram

Table 72. RS-232 Serial mode transmit timing parameters

| ID  | Parameter         | Symbol     | Min                                   | Max                               | Unit |
|-----|-------------------|------------|---------------------------------------|-----------------------------------|------|
| UA1 | Transmit Bit Time | $t_{Tbit}$ | $1/F_{baud\_rate}^1 - T_{ref\_clk}^2$ | $1/F_{baud\_rate} + T_{ref\_clk}$ | —    |

<sup>1</sup>  $F_{baud\_rate}$ : Baud rate frequency. The maximum baud rate the UART can support is (*ipg\_perclk* frequency)/16.

<sup>2</sup>  $T_{ref\_clk}$ : The period of UART reference clock *ref\_clk* (*ipg\_perclk* after RFDIV divider).

### 3.9.13.2.2 UART receiver

Figure 44 depicts the RS-232 Serial mode receive timing with 8 data bit/1 stop bit format. Table 73 lists Serial mode receive timing characteristics.

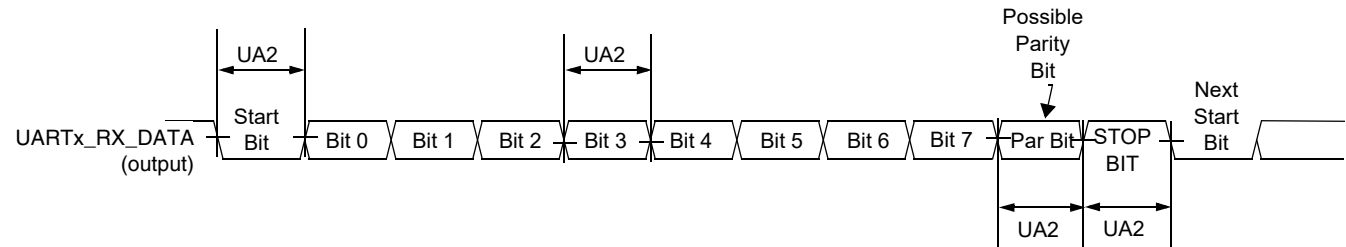


Figure 44. UART RS-232 Serial mode receive timing diagram

Table 73. RS-232 Serial mode receive timing parameters

| ID  | Parameter                     | Symbol     | Min   | Max   | Unit |
|-----|-------------------------------|------------|---|---|------|
| UA2 | Receive Bit Time <sup>1</sup> | $t_{Rbit}$ | $1/F_{baud\_rate}^2 - 1/(16 \times F_{baud\_rate})$ | $1/F_{baud\_rate} + 1/(16 \times F_{baud\_rate})$ | —    |

<sup>1</sup> The UART receiver can tolerate  $1/(16 \times F_{baud\_rate})$  tolerance in each bit. But accumulation tolerance in one frame must not exceed  $3/(16 \times F_{baud\_rate})$ .

<sup>2</sup>  $F_{baud\_rate}$ : Baud rate frequency. The maximum baud rate the UART can support is (*ipg\_perclk* frequency)/16.



### 3.9.14 USB PHY parameters

This section describes the USB-OTG PHY parameters.

The USB PHY meets the electrical compliance requirements defined in the Universal Serial Bus Revision 3.0 OTG, USB Host with the amendments below (On-The-Go and Embedded Host Supplement to the USB Revision 3.0 Specification is not applicable to Host port):

- USB ENGINEERING CHANGE NOTICE
  - Title: 5V Short Circuit Withstand Requirement Change
  - Applies to: Universal Serial Bus Specification, Revision 2.0
- Errata for USB Revision 2.0 April 27, 2000 as of 12/7/2000
- USB ENGINEERING CHANGE NOTICE
  - Title: Pull-up/Pull-down resistors
  - Applies to: Universal Serial Bus Specification, Revision 2.0
- USB ENGINEERING CHANGE NOTICE
  - Title: Suspend Current Limit Changes
  - Applies to: Universal Serial Bus Specification, Revision 2.0
- USB ENGINEERING CHANGE NOTICE
  - Title: USB 2.0 Phase Locked SOFs
  - Applies to: Universal Serial Bus Specification, Revision 2.0
- On-The-Go and Embedded Host Supplement to the USB Revision 2.0 Specification
  - Revision 2.0, version 1.1a, July 27, 2010
- Battery Charging Specification (available from USB-IF)
  - Revision 1.2, December 7, 2010

#### 3.9.14.1 USB\_OTG\*\_REXT reference resistor connection

The bias generation and impedance calibration process for the USB OTG PHYs requires connection of reference resistors 200  $\Omega$  1% precision on each of USB\_OTG1\_REXT and USB\_OTG2\_REXT pads to ground.

### 3.9.15 USB 2.0 PHY parameters

USB 2.0 PHY parameters are compatible with USB 3.0 PHY. See [Section 3.9.16, USB 3.0 PHY parameters](#) for more detailed information.

### 3.9.16 USB 3.0 PHY parameters

This section describes the electrical information about USB 3.0 PHY.

[Table 74](#) shows the USB 3.0 PHY junction temperature.

## Electrical characteristics

**Table 74. USB 3.0 PHY junction temperature**

| Min    | Max    |
|--------|--------|
| -40 °C | 125 °C |

Table 75 shows the USB 3.0 PHY power dissipation of SuperSpeed 5-Gbps operation.

**Table 75. USB 3.0 PHY power dissipation: SuperSpeed 5-Gbps operation (unit: for current is mA, for power is mW)**

| Mode       | Conditions | Current from USB1/2_VP | Current from USB1/2_VPTX | Current from USB1/2_VPH | Total Current | Total Power    |
|------------|------------|------------------------|--------------------------|-------------------------|---------------|----------------|
| U0         | TT/WC      | 25.700/35.700          | 15.000/21.200            | 14.000/20.300           | 54.700/77.200 | 82.800/130.000 |
| Power-Down | TT/WC      | 0.318/2.550            | 0.012/0.184              | 0.012/0.030             | 0.34/2.764    | 0.337/2.816    |

Table 76 shows the USB 3.0 PHY power dissipation: HS/FS/LS operation.

**Table 76. USB 3.0 PHY power dissipation: HS/FS/LS operations (unit: for current is mA, for power is mW)**

| Mode             | Conditions | Current from USB1/2_DVDD | Current from USB1/2_VDD33 | Total Current | Total Power   |
|------------------|------------|--------------------------|---------------------------|---------------|---------------|
| HS TX            | TT/WC      | 4.800/9.200              | 24.000/24.400             | 28.800/33.600 | 83.500/97.700 |
| FS TX            | TT/WC      | 2.800/6.800              | 22.100/24.500             | 24.900/31.200 | 75.400/95.500 |
| LS TX            | TT/WC      | 3.500/7.700              | 19.300/20.400             | 22.800/28.100 | 66.900/81.700 |
| Power-Down       | TT/WC      | 0.048/3.690              | 0.065/0.146               | 0.112/3.386   | 0.257/4.182   |
| Suspend          | TT/WC      | 0.047/3.690              | 0.066/0.154               | 0.113/3.844   | 0.261/4.213   |
| Battery Charging | TT/WC      | 0.122/3.760              | 6.350/5.780               | 6.472/9.540   | 21.065/24.704 |

Table 77 shows the worst-case maximum current.

**Table 77. Worst-Case maximum current**

| USB1/2_VPH | USB1/2_VP | USB1/2_VPTX | USB1/2_VDD33 | USB1/2_DVDD | Unit |
|------------|-----------|-------------|--------------|-------------|------|
| 20.3       | 35.7      | 21.2        | 24.5         | 9.2         | mA   |

Table 78 shows the USB power pin supplies.

**Table 78. USB power pin supplies**

| Pin Name     | Description                              | Value               |
|--------------|--|---------------------|
| USB1/2_VDD   | PHY analog and digital high-speed supply | 0.9 V (+22.2%, -7%) |
| USB1/2_VP    | PHY analog and digital SuperSpeed supply | 0.9 V (+22.2%, -7%) |
| USB1/2_VPTX  | PHY transmit supply                      | 0.9 V (+22.2%, -7%) |
| USB1/2_VDD33 | High supply for high-speed operation IO  | 3.3 V (+10%, -7%)   |
| USB1/2_VPH   | High supply for SuperSpeed operation IO  | 3.3 V (+10%, -7%)   |

Table 79 shows the external component values.

**Table 79. External component values**

| Component                  | Pin Name                | Value                      |
|----------------------------|-------------------------|----------------------------|
| External resistor (resref) | USB1_RESREF/USB2_RESREF | 200 $\Omega$ ( $\pm 1\%$ ) |

Table 80 shows the minimum ESD protection target levels.

**Table 80. Minimum ESD protection target levels**

| ESD Category                              | Minimum Protection Level   | JEDEC Class                       |
|---|----------------------------|-----------------------------------|
| Human Body Model (HBM) (JS-001-2014)      | 2 KV                       | 2                                 |
| Charged Device Model (CDM) (JESD22-C101F) | 6 A peak discharge current | C2/C1 (500 V/ 250 V) <sup>1</sup> |
| Machine Model (MM) (JESD22_A115C)         | 100 V                      | N/A                               |

<sup>1</sup> Support for either 500 V or 250 V CDM target level is dependent on maximum discharge current generated in final SoC/package implementation.

Table 81 shows the supply impedance requirements.

**Table 81. Supply impedance requirements**

| $L_{gd} + L_{vp}(nH)$ | $L_{VSSA<\#>} + L_{DVDD}(nH)$ | $L_{gd} + L_{vptx<\#>}(nH)$ | $L_{VSSA<\#>} + L_{VDD33<\#>}(nH)$ | $L_{gd} + L_{vph}(nH)$ |
|-----------------------|-------------------------------|-----------------------------|------------------------------------|------------------------|
| < 2.4                 | < 2.4                         | < 2.4                       | < 2.8                              | < 2.8                  |

## 4 Boot mode configuration

This section provides information on Boot mode configuration pins allocation and boot devices interfaces allocation.

### 4.1 Boot mode configuration pins

Table 82 provides boot options, functionality, fuse values, and associated pins. Several input pins are also sampled at reset and can be used to override fuse values, depending on the value of BT\_FUSE\_SEL fuse. The boot option pins are in effect when BT\_FUSE\_SEL fuse is '0' (cleared, which is the case for an unblown fuse). For detailed Boot mode options configured by the Boot mode pins, see the “System Boot, Fusemap, and eFuse” chapter in the *i.MX 8M Dual / 8M QuadLite / 8M Quad Applications Processor Reference Manual (IMX8MDQLQRM)*.

**Table 82. Fuses and associated pins used for boot**

| Pin        | Direction at Reset | eFuse name   | State during reset (POR_B asserted) | State after reset (POR_B deasserted) | Details  |
|------------|--------------------|--------------|-------------------------------------|--------------------------------------|--|
| BOOT_MODE0 | Input              | N/A          | Input with 95 K pull down           | Input with 95 K pull down            | Boot mode selection  |
| BOOT_MODE1 | Input              | N/A          | Input with 95 K pull down           | Input with 95 K pull down            | Boot mode selection  |
| SAI1_RXD0  | Input              | BOOT_CFG[0]  | Input with 95 K pull down           | Input with 95 K pull down            | Boot options pin value overrides fuse settings for BT_FUSE_SEL = "0". Signal configuration as fuse override input at power up. These are special I/O lines that control the boot configuration during product development. In production, the boot configuration can be controlled by fuses. |
| SAI1_RXD1  | Input              | BOOT_CFG[1]  | Input with 95 K pull down           | Input with 95 K pull down            |  |
| SAI1_RXD2  | Input              | BOOT_CFG[2]  | Input with 95 K pull down           | Input with 95 K pull down            |  |
| SAI1_RXD3  | Input              | BOOT_CFG[3]  | Input with 95 K pull down           | Input with 95 K pull down            |  |
| SAI1_RXD4  | Input              | BOOT_CFG[4]  | Input with 95 K pull down           | Input with 95 K pull down            |  |
| SAI1_RXD5  | Input              | BOOT_CFG[5]  | Input with 95 K pull down           | Input with 95 K pull down            |  |
| SAI1_RXD6  | Input              | BOOT_CFG[6]  | Input with 95 K pull down           | Input with 95 K pull down            |  |
| SAI1_RXD7  | Input              | BOOT_CFG[7]  | Input with 95 K pull down           | Input with 95 K pull down            |  |
| SAI1_TXD0  | Input              | BOOT_CFG[8]  | Input with 95 K pull down           | Input with 95 K pull down            |  |
| SAI1_TXD1  | Input              | BOOT_CFG[9]  | Input with 95 K pull down           | Input with 95 K pull down            |  |
| SAI1_TXD2  | Input              | BOOT_CFG[10] | Input with 95 K pull down           | Input with 95 K pull down            |  |
| SAI1_TXD3  | Input              | BOOT_CFG[11] | Input with 95 K pull down           | Input with 95 K pull down            |  |
| SAI1_TXD4  | Input              | BOOT_CFG[12] | Input with 95 K pull down           | Input with 95 K pull down            |  |
| SAI1_TXD5  | Input              | BOOT_CFG[13] | Input with 95 K pull down           | Input with 95 K pull down            |  |
| SAI1_TXD6  | Input              | BOOT_CFG[14] | Input with 95 K pull down           | Input with 95 K pull down            |  |
| SAI1_TXD7  | Input              | BOOT_CFG[15] | Input with 95 K pull down           | Input with 95 K pull down            |  |

## 4.2 Boot device interface allocation

Table 83 lists the interfaces that can be used by the boot process in accordance with the specific Boot mode configuration. The table also describes the interface's specific modes and IOMUXC allocation, which are configured during boot when appropriate.

**Table 83. Interface allocation during boot**

| Interface  | IP Instance | Allocated Pads During Boot   | Comment                       |
|------------|-------------|--|-------------------------------|
| NAND Flash | GPMI        | NAND_ALE, NAND_CE0_B, NAND_CLE,<br>NAND_DATA00, NAND_DATA01, NAND_DATA02,<br>NAND_DATA03, NAND_DATA04, NAND_DATA05,<br>NAND_DATA06, NAND_DATA07, NAND_DQS,<br>NAND_RE_B, NAND_READY_B, NAND_WE_B,<br>NAND_WP_B | 8-bit, only CS0 is supported. |
| SD/MMC     | USDHC-1     | GPIO1_IO03, GPIO1_IO06, GPIO1_IO07,<br>SD1_RESET_B, SD1_CLK, SD1_CMD,<br>SD1_STROBE, SD1_DATA0, SD1_DATA1,<br>SD1_DATA2,SD1_DATA3,SD1_DATA4,SD1_DATA5,<br>SD1_DATA6, SD1_DATA7                                 | 1, 4, or 8-bit                |
| SD/MMC     | USDHC-2     | GPIO1_IO04, GPIO1_IO08, GPIO1_IO07,<br>SD2_RESET_B, SD2_CD_B, SD2_WP, SD2_CLK,<br>SD2_CMD, SD2_DATA0, SD2_DATA1, SD2_DATA2,<br>SD2_DATA3   | 1 or 4-bit                    |
| USB        | USB_OTG PHY | —  | —                             |

## 5 Package information and contact assignments

This section includes the contact assignment information and mechanical package drawing.

### 5.1 17 x 17 mm package information

#### 5.1.1 17 x 17 mm, 0.65 mm pitch, ball matrix

Figure 45 shows the top, bottom, and side views of the 17 × 17 mm BGA package.

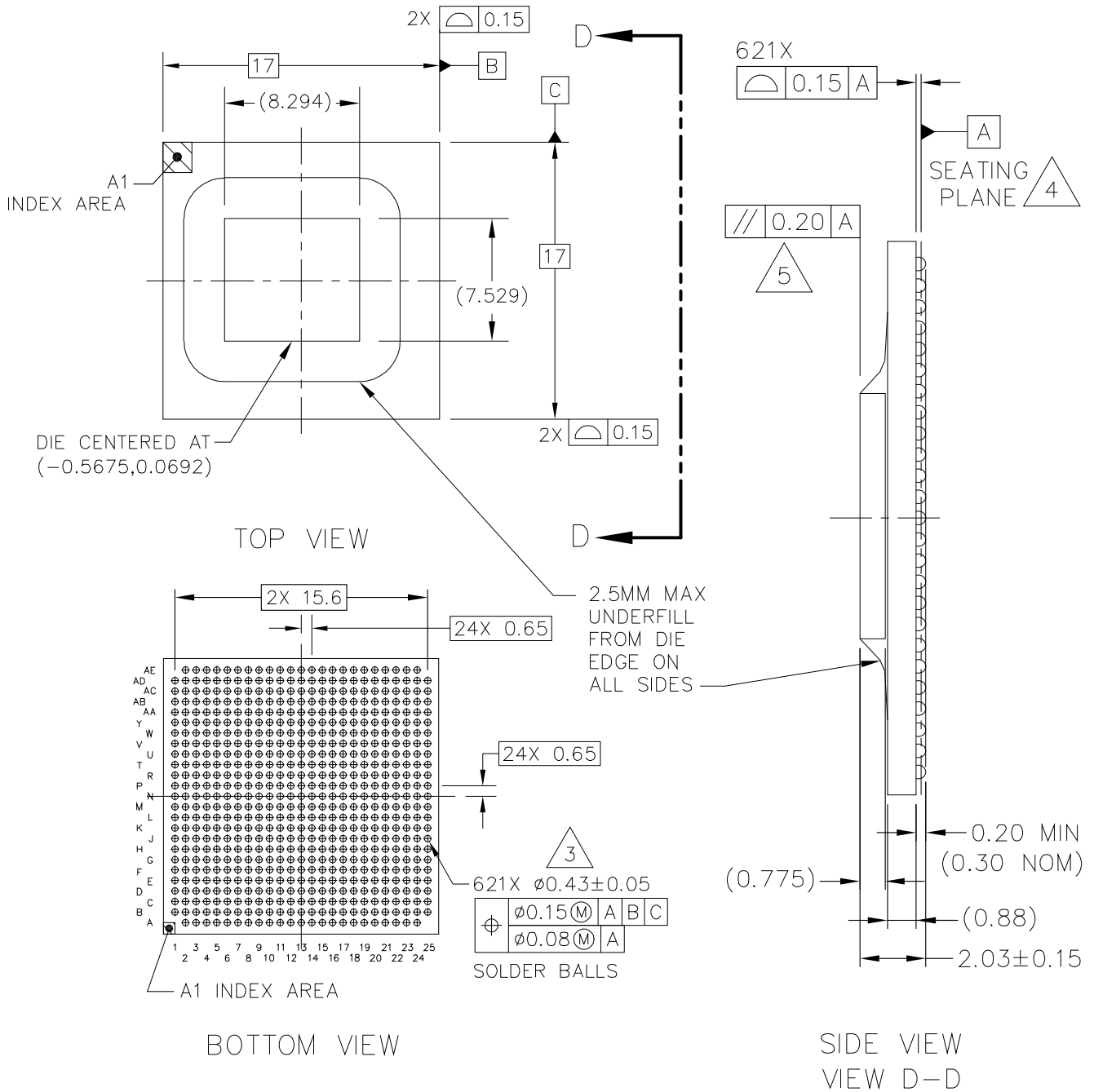


Figure 45. 17 x 17 mm BGA, package top, bottom, and side Views

## 5.1.2 17 x 17 mm supplies contact assignments and functional contact assignments

Table 84 shows supplies contact assignments for the 17 x 17 mm package.

**Table 84. i.MX 8M Dual / 8M QuadLite / 8M Quad 17 x 17 mm supplies contact assignments**

| Supply Rail Name | Ball(s) Postion(s)   | Remark                       |
|------------------|--|------------------------------|
| EFUSE_VQPS       | R17  | Supply for eFuse Programming |
| HDMI_AVDDCLK     | V3   | Supply for HDMI PHY          |
| HDMI_AVDDCORE    | U3, U4   | Supply for HDMI PHY          |
| HDMI_AVDDIO      | P2   | Supply for HDMI PHY          |
| MIPI_VDD         | E15, F15   | Supply for MIPI PHY          |
| MIPI_VDDA        | E17, E18, F17, F18   | Supply for MIPI PHY          |
| MIPI_VDDHA       | C18, D17, D18  | Supply for MIPI PHY          |
| MIPI_VDDPLL      | F19  | Supply for MIPI PHY          |
| NVCC_DRAM        | Y12, Y14, AA10, AA15, AB3, AB8, AB17, AB23, AC3, AC6, AC8, AC14, AC17, AC20, AC23, AD5, AD18, AD21 | Supply for DRAM Interface    |
| NVCC_ECSPi       | F5   | Supply for ESCPI Interface   |
| NVCC_ENET        | T18  | Supply for ENET Interface    |
| NVCC_GPIO1       | R5, R6   | Supply for GPIO1 Interface   |
| NVCC_I2C         | H7   | Supply for I2C Interface     |
| NVCC_JTAG        | W4   | Supply for JTAG Interface    |
| NVCC_NAND        | L18, M18   | Supply for NAND Interface    |
| NVCC_SAI1        | K3, L3   | Supply for SAI Interface     |
| NVCC_SAI2        | J7   | Supply for SAI Interface     |
| NVCC_SAI3        | E3   | Supply for SAI Interface     |
| NVCC_SAI5        | M3   | Supply for SAI Interface     |
| NVCC_SD1         | L23, M23   | Supply for SD Interface      |
| NVCC_SD2         | N23  | Supply for SD Interface      |
| NVCC_SNVS        | W18  | Supply for SNVS Interface    |
| NVCC_UART        | D8   | Supply for UART Interface    |
| PCIE_VP          | F22, G22   | Supply for PCIe PHY          |
| PCIE_VPH         | H23, J23   | Supply for PCIe PHY          |
| PCIE_VPTX        | F23, G23   | Supply for PCIe PHY          |
| USB1_DVDD        | E12  | Supply for USB PHY           |
| USB1_VDD33       | G12  | Supply for USB PHY           |



Table 84. i.MX 8M Dual / 8M QuadLite / 8M Quad 17 x 17 mm supplies contact assignments (continued)

|                      |  |                               |
|----------------------|--|-------------------------------|
| USB1_VP              | D12  | Supply for USB PHY            |
| USB1_VPH             | F12  | Supply for USB PHY            |
| USB1_VPTX            | C12  | Supply for USB PHY            |
| USB2_DVDD            | E11  | Supply for USB PHY            |
| USB2_VDD33           | G11  | Supply for USB PHY            |
| USB2_VP              | D11  | Supply for USB PHY            |
| USB2_VPH             | F11  | Supply for USB PHY            |
| USB2_VPTX            | C11  | Supply for USB PHY            |
| VDD_ARM              | G14, G15, G16, H14, H15, H16, J15, J16, K15, K16, L15, L16, M15, M16                                 | Supply for Arm Core           |
| VDD_DRAM             | U10, U11, U12, U13, U14, V9, V10, V11, V12, V13, V14, V15, Y6, Y8, Y10, Y16, Y18, Y20                | Supply for DRAM Module        |
| VDD_GPU              | J9, J10, K9, K10, L9, L10, M9, M10   | Supply for GPU                |
| VDD_SNVS             | R18  | Supply for SNVS Logic         |
| VDD_SOC              | K12, L12, L13, M12, M13, N13, P12, P13, P15, P16, R8, R9, R10, R11, R12, R13, R14, R15, R16, T8, T17 | Supply for SOC Logic          |
| VDD_VPU              | N8, N9, N10, P9, P10   | Supply for VPU                |
| VDDA_0P9             | V18  | Supply for SOC Logic          |
| VDDA_1P8_FPLL        | U17  | Supply for Frac PLL           |
| VDDA_1P8_FPLL_ARM    | K14  | Supply for Arm PLL            |
| VDDA_1P8_LVDS        | U23  | Supply for LVDS Interface     |
| VDDA_1P8_SPLL        | W17  | Supply for SSCG PLL           |
| VDDA_1P8_SPLL_DRAM   | T15  | Supply for DRAM PLL           |
| VDDA_1P8_SPLL_VIDEO2 | N11  | Supply for VIDEO PLL2         |
| VDDA_1P8_TSENSOR     | T16  | Supply for temperature sensor |
| VDDA_1P8_XTAL_25M    | W24  | Supply for XTAL               |
| VDDA_1P8_XTAL_27M    | W23  | Supply for XTAL               |
| VDDA_DRAM            | AA11   | Supply for DRAM Module        |

Package information and contact assignments

**Table 84. i.MX 8M Dual / 8M QuadLite / 8M Quad 17 x 17 mm supplies contact assignments (continued)**

|                  |   |                                     |
|------------------|---|-------------------------------------|
| VSS              | A2, A24, B1, B25, C8, C10, C13, C15, C24, D10, D13, D15, D23, E4, E10, E13, E14, E16, E19, E20, E21, E22, E23, F10, F13, F14, F16, F20, G9, G10, G13, G17, G18, G24, H8, H9, H10, H11, H12, H13, H17, H18, J3, J8, J11, J12, J13, J14, J17, J18, J19, K8, K11, K17, K18, K23, L8, L11, L14, L17, M8, M11, M14, M17, N3, N14, N15, N16, N17, N18, P6, P8, P11, P14, P17, P18, P23, R7, T3, T4, T9, T10, T11, T12, T13, U8, U9, U15, U18, V4, V8, V16, W1, W7, W8, W9, W10, W11, W12, W13, W14, W15, W16, W25, Y2, Y3, Y4, Y5, Y7, Y9, Y11, Y13, Y15, Y17, Y19, Y21, Y22, Y23, Y24, AA5, AA16, AA21, AB2, AB9, AB11, AB18, AB24, AC4, AC19, AC22, AD1, AD7, AD9, AD11, AD13, AD16, AD25, AE2, AE5, AE21, AE24 | —                                   |
| VSSA_FPLL        | U16   | Return path of VDDA_1P8_FPLL        |
| VSSA_FPLL_ARM    | K13   | Return path of VDDA_1P8_FPLL_ARM    |
| VSSA_SPLL        | V17   | Return path of VDDA_1P8_SPLL        |
| VSSA_SPLL_DRAM   | T14   | Return path of VDDA_1P8_SPLL_DRAM   |
| VSSA_SPLL_VIDEO2 | N12   | Return path of VDDA_1P8_SPLL_VIDEO2 |
| VSSA_XTAL_25M    | V23   | Return path of VDDA_1P8_XTAL_25M    |
| VSSA_XTAL_27M    | W22   | Return path of VDDA_1P8_XTAL_27M    |

Table 85 shows an alpha-sorted list of functional contact assignments for the 17 x 17 mm package.

**Table 85. i.MX 8M Dual / 8M QuadLite / 8M Quad 17 x 17 mm functional contact assignments**

| Ball name  | Ball | Power group | Ball type <sup>1</sup> | Reset condition <sup>2</sup> |                                |              |           |
|------------|------|-------------|------------------------|------------------------------|--------------------------------|--------------|-----------|
|            |      |             |                        | Default mode (Reset mode)    | Default function (Signal name) | Input/Output | Value     |
| BOOT_MODE0 | W6   | NVCC_JTAG   | GPIO                   | ALT0                         | ccmsrcgpcmix.BOOT_MODE[0]      | Input        | PD (90 K) |
| BOOT_MODE1 | V6   | NVCC_JTAG   | GPIO                   | ALT0                         | ccmsrcgpcmix.BOOT_MODE[1]      | Input        | PD (90 K) |
| CLK1_P     | R23  | VDDA        | LVDS                   | —                            | —                              | —            | —         |
| CLK1_N     | T23  | VDDA        | LVDS                   | —                            | —                              | —            | —         |
| CLK2_P     | T22  | VDDA        | LVDS                   | —                            | —                              | —            | —         |
| CLK2_N     | U22  | VDDA        | LVDS                   | —                            | —                              | —            | —         |
| DRAM_AC00  | AC16 | NVCC_DRAM   | DDR                    | —                            | —                              | —            | —         |

Table 85. i.MX 8M Dual / 8M QuadLite / 8M Quad 17 x 17 mm functional contact assignments (continued)

| Ball name | Ball | Power group | Ball type <sup>1</sup> | Reset condition <sup>2</sup> |                                |              |       |
|-----------|------|-------------|------------------------|------------------------------|--------------------------------|--------------|-------|
|           |      |             |                        | Default mode (Reset mode)    | Default function (Signal name) | Input/Output | Value |
| DRAM_AC01 | AE17 | NVCC_DRAM   | DDR                    | —                            | —                              | —            | —     |
| DRAM_AC02 | AE18 | NVCC_DRAM   | DDR                    | —                            | —                              | —            | —     |
| DRAM_AC03 | AC18 | NVCC_DRAM   | DDR                    | —                            | —                              | —            | —     |
| DRAM_AC04 | AD14 | NVCC_DRAM   | DDR                    | —                            | —                              | —            | —     |
| DRAM_AC05 | AE14 | NVCC_DRAM   | DDR                    | —                            | —                              | —            | —     |
| DRAM_AC06 | AE13 | NVCC_DRAM   | DDR                    | —                            | —                              | —            | —     |
| DRAM_AC07 | AB15 | NVCC_DRAM   | DDR                    | —                            | —                              | —            | —     |
| DRAM_AC08 | AD17 | NVCC_DRAM   | DDR                    | —                            | —                              | —            | —     |
| DRAM_AC09 | AE16 | NVCC_DRAM   | DDR                    | —                            | —                              | —            | —     |
| DRAM_AC10 | AD20 | NVCC_DRAM   | DDR                    | —                            | —                              | —            | —     |
| DRAM_AC11 | AE20 | NVCC_DRAM   | DDR                    | —                            | —                              | —            | —     |
| DRAM_AC12 | AD19 | NVCC_DRAM   | DDR                    | —                            | —                              | —            | —     |
| DRAM_AC13 | AE19 | NVCC_DRAM   | DDR                    | —                            | —                              | —            | —     |
| DRAM_AC14 | AB16 | NVCC_DRAM   | DDR                    | —                            | —                              | —            | —     |
| DRAM_AC15 | AC15 | NVCC_DRAM   | DDR                    | —                            | —                              | —            | —     |
| DRAM_AC16 | AE15 | NVCC_DRAM   | DDR                    | —                            | —                              | —            | —     |
| DRAM_AC17 | AD15 | NVCC_DRAM   | DDR                    | —                            | —                              | —            | —     |
| DRAM_AC19 | AB14 | NVCC_DRAM   | DDR                    | —                            | —                              | —            | —     |
| DRAM_AC20 | AD10 | NVCC_DRAM   | DDR                    | —                            | —                              | —            | —     |
| DRAM_AC21 | AE10 | NVCC_DRAM   | DDR                    | —                            | —                              | —            | —     |
| DRAM_AC22 | AD8  | NVCC_DRAM   | DDR                    | —                            | —                              | —            | —     |
| DRAM_AC23 | AC9  | NVCC_DRAM   | DDR                    | —                            | —                              | —            | —     |
| DRAM_AC24 | AD12 | NVCC_DRAM   | DDR                    | —                            | —                              | —            | —     |
| DRAM_AC25 | AE12 | NVCC_DRAM   | DDR                    | —                            | —                              | —            | —     |
| DRAM_AC26 | AB12 | NVCC_DRAM   | DDR                    | —                            | —                              | —            | —     |
| DRAM_AC27 | AA12 | NVCC_DRAM   | DDR                    | —                            | —                              | —            | —     |
| DRAM_AC28 | AC7  | NVCC_DRAM   | DDR                    | —                            | —                              | —            | —     |
| DRAM_AC29 | AE7  | NVCC_DRAM   | DDR                    | —                            | —                              | —            | —     |
| DRAM_AC30 | AE6  | NVCC_DRAM   | DDR                    | —                            | —                              | —            | —     |
| DRAM_AC31 | AD6  | NVCC_DRAM   | DDR                    | —                            | —                              | —            | —     |

Table 85. i.MX 8M Dual / 8M QuadLite / 8M Quad 17 x 17 mm functional contact assignments (continued)

| Ball name    | Ball | Power group | Ball type <sup>1</sup> | Reset condition <sup>2</sup> |                                |              |       |
|--------------|------|-------------|------------------------|------------------------------|--------------------------------|--------------|-------|
|              |      |             |                        | Default mode (Reset mode)    | Default function (Signal name) | Input/Output | Value |
| DRAM_AC32    | AE8  | NVCC_DRAM   | DDR                    | —                            | —                              | —            | —     |
| DRAM_AC33    | AE9  | NVCC_DRAM   | DDR                    | —                            | —                              | —            | —     |
| DRAM_AC34    | AC10 | NVCC_DRAM   | DDR                    | —                            | —                              | —            | —     |
| DRAM_AC35    | AB10 | NVCC_DRAM   | DDR                    | —                            | —                              | —            | —     |
| DRAM_AC36    | AC12 | NVCC_DRAM   | DDR                    | —                            | —                              | —            | —     |
| DRAM_AC37    | AE11 | NVCC_DRAM   | DDR                    | —                            | —                              | —            | —     |
| DRAM_AC38    | AC11 | NVCC_DRAM   | DDR                    | —                            | —                              | —            | —     |
| DRAM_ALERT_N | AC13 | NVCC_DRAM   | DDR                    | —                            | —                              | —            | —     |
| DRAM_DM0     | AD23 | NVCC_DRAM   | DDR                    | —                            | —                              | —            | —     |
| DRAM_DM1     | AB20 | NVCC_DRAM   | DDR                    | —                            | —                              | —            | —     |
| DRAM_DM2     | AD3  | NVCC_DRAM   | DDR                    | —                            | —                              | —            | —     |
| DRAM_DM3     | AB6  | NVCC_DRAM   | DDR                    | —                            | —                              | —            | —     |
| DRAM_DQ00    | AE23 | NVCC_DRAM   | DDR                    | —                            | —                              | —            | —     |
| DRAM_DQ01    | AD24 | NVCC_DRAM   | DDR                    | —                            | —                              | —            | —     |
| DRAM_DQ02    | AE22 | NVCC_DRAM   | DDR                    | —                            | —                              | —            | —     |
| DRAM_DQ03    | AD22 | NVCC_DRAM   | DDR                    | —                            | —                              | —            | —     |
| DRAM_DQ04    | AA24 | NVCC_DRAM   | DDR                    | —                            | —                              | —            | —     |
| DRAM_DQ05    | Y25  | NVCC_DRAM   | DDR                    | —                            | —                              | —            | —     |
| DRAM_DQ06    | AA25 | NVCC_DRAM   | DDR                    | —                            | —                              | —            | —     |
| DRAM_DQ07    | AB25 | NVCC_DRAM   | DDR                    | —                            | —                              | —            | —     |
| DRAM_DQ08    | AB22 | NVCC_DRAM   | DDR                    | —                            | —                              | —            | —     |
| DRAM_DQ09    | AA22 | NVCC_DRAM   | DDR                    | —                            | —                              | —            | —     |
| DRAM_DQ10    | AA23 | NVCC_DRAM   | DDR                    | —                            | —                              | —            | —     |
| DRAM_DQ11    | AA20 | NVCC_DRAM   | DDR                    | —                            | —                              | —            | —     |
| DRAM_DQ12    | AA18 | NVCC_DRAM   | DDR                    | —                            | —                              | —            | —     |
| DRAM_DQ13    | AB19 | NVCC_DRAM   | DDR                    | —                            | —                              | —            | —     |
| DRAM_DQ14    | AA19 | NVCC_DRAM   | DDR                    | —                            | —                              | —            | —     |
| DRAM_DQ15    | AA17 | NVCC_DRAM   | DDR                    | —                            | —                              | —            | —     |
| DRAM_DQ16    | AE3  | NVCC_DRAM   | DDR                    | —                            | —                              | —            | —     |
| DRAM_DQ17    | AD2  | NVCC_DRAM   | DDR                    | —                            | —                              | —            | —     |

Table 85. i.MX 8M Dual / 8M QuadLite / 8M Quad 17 x 17 mm functional contact assignments (continued)

| Ball name    | Ball | Power group | Ball type <sup>1</sup> | Reset condition <sup>2</sup> |                                |              |           |
|--------------|------|-------------|------------------------|------------------------------|--------------------------------|--------------|-----------|
|              |      |             |                        | Default mode (Reset mode)    | Default function (Signal name) | Input/Output | Value     |
| DRAM_DQ18    | AE4  | NVCC_DRAM   | DDR                    | —                            | —                              | —            | —         |
| DRAM_DQ19    | AD4  | NVCC_DRAM   | DDR                    | —                            | —                              | —            | —         |
| DRAM_DQ20    | AA2  | NVCC_DRAM   | DDR                    | —                            | —                              | —            | —         |
| DRAM_DQ21    | Y1   | NVCC_DRAM   | DDR                    | —                            | —                              | —            | —         |
| DRAM_DQ22    | AA1  | NVCC_DRAM   | DDR                    | —                            | —                              | —            | —         |
| DRAM_DQ23    | AB1  | NVCC_DRAM   | DDR                    | —                            | —                              | —            | —         |
| DRAM_DQ24    | AB4  | NVCC_DRAM   | DDR                    | —                            | —                              | —            | —         |
| DRAM_DQ25    | AA4  | NVCC_DRAM   | DDR                    | —                            | —                              | —            | —         |
| DRAM_DQ26    | AA3  | NVCC_DRAM   | DDR                    | —                            | —                              | —            | —         |
| DRAM_DQ27    | AA6  | NVCC_DRAM   | DDR                    | —                            | —                              | —            | —         |
| DRAM_DQ28    | AA8  | NVCC_DRAM   | DDR                    | —                            | —                              | —            | —         |
| DRAM_DQ29    | AB7  | NVCC_DRAM   | DDR                    | —                            | —                              | —            | —         |
| DRAM_DQ30    | AA7  | NVCC_DRAM   | DDR                    | —                            | —                              | —            | —         |
| DRAM_DQ31    | AA9  | NVCC_DRAM   | DDR                    | —                            | —                              | —            | —         |
| DRAM_DQS0_N  | AC25 | NVCC_DRAM   | DDRCLK                 | —                            | —                              | —            | —         |
| DRAM_DQS0_P  | AC24 | NVCC_DRAM   | DDRCLK                 | —                            | —                              | —            | —         |
| DRAM_DQS1_N  | AC21 | NVCC_DRAM   | DDRCLK                 | —                            | —                              | —            | —         |
| DRAM_DQS1_P  | AB21 | NVCC_DRAM   | DDRCLK                 | —                            | —                              | —            | —         |
| DRAM_DQS2_N  | AC1  | NVCC_DRAM   | DDRCLK                 | —                            | —                              | —            | —         |
| DRAM_DQS2_P  | AC2  | NVCC_DRAM   | DDRCLK                 | —                            | —                              | —            | —         |
| DRAM_DQS3_N  | AC5  | NVCC_DRAM   | DDRCLK                 | —                            | —                              | —            | —         |
| DRAM_DQS3_P  | AB5  | NVCC_DRAM   | DDRCLK                 | —                            | —                              | —            | —         |
| DRAM_RESET_N | AB13 | NVCC_DRAM   | DDR                    | —                            | —                              | —            | —         |
| DRAM_VREF    | AA14 | NVCC_DRAM   | DDR                    | —                            | —                              | —            | —         |
| DRAM_ZN      | AA13 | NVCC_DRAM   | DDR                    | —                            | —                              | —            | —         |
| ECSPI1_MISO  | B4   | NVCC_ECSPi  | GPIO                   | ALT5                         | GPIO5.IO[8]                    | Input        | PD (90 K) |
| ECSPI1_MOSI  | A4   | NVCC_ECSPi  | GPIO                   | ALT5                         | GPIO5.IO[7]                    | Input        | PD (90 K) |
| ECSPI1_SCLK  | D5   | NVCC_ECSPi  | GPIO                   | ALT5                         | GPIO5.IO[6]                    | Input        | PD (90 K) |
| ECSPI1_SS0   | D4   | NVCC_ECSPi  | GPIO                   | ALT5                         | GPIO5.IO[9]                    | Input        | PD (90 K) |
| ECSPI2_MISO  | B5   | NVCC_ECSPi  | GPIO                   | ALT5                         | GPIO5.IO[12]                   | Input        | PD (90 K) |

Table 85. i.MX 8M Dual / 8M QuadLite / 8M Quad 17 x 17 mm functional contact assignments (continued)

| Ball name               | Ball | Power group | Ball type <sup>1</sup> | Reset condition <sup>2</sup> |                                |              |           |
|-------------------------|------|-------------|------------------------|------------------------------|--------------------------------|--------------|-----------|
|                         |      |             |                        | Default mode (Reset mode)    | Default function (Signal name) | Input/Output | Value     |
| ECSPI2_MOSI             | E5   | NVCC_ECSPi  | GPIO                   | ALT5                         | GPIO5.IO[11]                   | Input        | PD (90 K) |
| ECSPI2_SCLK             | C5   | NVCC_ECSPi  | GPIO                   | ALT5                         | GPIO5.IO[10]                   | Input        | PD (90 K) |
| ECSPI2_SS0              | A5   | NVCC_ECSPi  | GPIO                   | ALT5                         | GPIO5.IO[13]                   | Input        | PD (90 K) |
| ENET_MDC                | N20  | NVCC_ENET   | GPIO                   | ALT5                         | GPIO1.IO[16]                   | Input        | PD (90 K) |
| ENET_MDIO               | N19  | NVCC_ENET   | GPIO                   | ALT5                         | GPIO1.IO[17]                   | Input        | PD (90 K) |
| ENET_RD0                | U19  | NVCC_ENET   | GPIO                   | ALT5                         | GPIO1.IO[26]                   | Input        | PD (90 K) |
| ENET_RD1                | U21  | NVCC_ENET   | GPIO                   | ALT5                         | GPIO1.IO[27]                   | Input        | PD (90 K) |
| ENET_RD2                | U20  | NVCC_ENET   | GPIO                   | ALT5                         | GPIO1.IO[28]                   | Input        | PD (90 K) |
| ENET_RD3                | V19  | NVCC_ENET   | GPIO                   | ALT5                         | GPIO1.IO[29]                   | Input        | PD (90 K) |
| ENET_RXC                | T20  | NVCC_ENET   | GPIO                   | ALT5                         | GPIO1.IO[25]                   | Input        | PD (90 K) |
| ENET_RX_CTL             | T21  | NVCC_ENET   | GPIO                   | ALT5                         | GPIO1.IO[24]                   | Input        | PD (90 K) |
| ENET_TD0                | R20  | NVCC_ENET   | GPIO                   | ALT5                         | GPIO1.IO[21]                   | Input        | PD (90 K) |
| ENET_TD1                | R21  | NVCC_ENET   | GPIO                   | ALT5                         | GPIO1.IO[20]                   | Input        | PD (90 K) |
| ENET_TD2                | R19  | NVCC_ENET   | GPIO                   | ALT5                         | GPIO1.IO[19]                   | Input        | PD (90 K) |
| ENET_TD3                | P20  | NVCC_ENET   | GPIO                   | ALT5                         | GPIO1.IO[18]                   | Input        | PD (90 K) |
| ENET_TXC                | T19  | NVCC_ENET   | GPIO                   | ALT5                         | GPIO1.IO[23]                   | Input        | PD (90 K) |
| ENET_TX_CTL             | P19  | NVCC_ENET   | GPIO                   | ALT5                         | GPIO1.IO[22]                   | Input        | PD (90 K) |
| GPIO1_IO00              | T6   | NVCC_GPIO1  | GPIO                   | ALT0                         | GPIO1.IO[0]                    | Input        | PD (90 K) |
| GPIO1_IO01 <sup>3</sup> | T7   | NVCC_GPIO1  | GPIO                   | ALT0                         | GPIO1.IO[1]                    | Input        | PD (90 K) |
| GPIO1_IO02              | R4   | NVCC_GPIO1  | GPIO                   | ALT0                         | GPIO1.IO[2]                    | Input        | PD (27 K) |
| GPIO1_IO03              | P4   | NVCC_GPIO1  | GPIO                   | ALT0                         | GPIO1.IO[3]                    | Input        | PD (90 K) |
| GPIO1_IO04              | P5   | NVCC_GPIO1  | GPIO                   | ALT0                         | GPIO1.IO[4]                    | Input        | PD (90 K) |
| GPIO1_IO05 <sup>4</sup> | P7   | NVCC_GPIO1  | GPIO                   | ALT0                         | GPIO1.IO[5]                    | Input        | PU (27 K) |
| GPIO1_IO06              | N5   | NVCC_GPIO1  | GPIO                   | ALT0                         | GPIO1.IO[6]                    | Input        | PD (90 K) |
| GPIO1_IO07              | N6   | NVCC_GPIO1  | GPIO                   | ALT0                         | GPIO1.IO[7]                    | Input        | PD (90 K) |
| GPIO1_IO08              | N7   | NVCC_GPIO1  | GPIO                   | ALT0                         | GPIO1.IO[8]                    | Input        | PD (90 K) |
| GPIO1_IO09              | M6   | NVCC_GPIO1  | GPIO                   | ALT0                         | GPIO1.IO[9]                    | Input        | PD (90 K) |
| GPIO1_IO10              | M7   | NVCC_GPIO1  | GPIO                   | ALT0                         | GPIO1.IO[10]                   | Input        | PD (90 K) |
| GPIO1_IO11              | L6   | NVCC_GPIO1  | GPIO                   | ALT0                         | GPIO1.IO[11]                   | Input        | PD (90 K) |
| GPIO1_IO12              | L7   | NVCC_GPIO1  | GPIO                   | ALT0                         | GPIO1.IO[12]                   | Input        | PD (90 K) |

Table 85. i.MX 8M Dual / 8M QuadLite / 8M Quad 17 x 17 mm functional contact assignments (continued)

| Ball name      | Ball | Power group | Ball type <sup>1</sup> | Reset condition <sup>2</sup> |                                |              |           |
|----------------|------|-------------|------------------------|------------------------------|--------------------------------|--------------|-----------|
|                |      |             |                        | Default mode (Reset mode)    | Default function (Signal name) | Input/Output | Value     |
| GPIO1_IO13     | K6   | NVCC_GPIO1  | GPIO                   | ALT0                         | GPIO1.IO[13]                   | Input        | PD (90 K) |
| GPIO1_IO14     | K7   | NVCC_GPIO1  | GPIO                   | ALT0                         | GPIO1.IO[14]                   | Input        | PD (90 K) |
| GPIO1_IO15     | J6   | NVCC_GPIO1  | GPIO                   | ALT0                         | GPIO1.IO[15]                   | Input        | PD (90 K) |
| HDMI_AUX_N     | V2   | HDMI_AVDDIO | PHY                    | —                            | —                              | —            | —         |
| HDMI_AUX_P     | V1   | HDMI_AVDDIO | PHY                    | —                            | —                              | —            | —         |
| HDMI_CEC       | W3   | HDMI_AVDDIO | PHY                    | —                            | —                              | —            | —         |
| HDMI_DDC_SCL   | R3   | HDMI_AVDDIO | PHY                    | —                            | —                              | —            | —         |
| HDMI_DDC_SDA   | P3   | HDMI_AVDDIO | PHY                    | —                            | —                              | —            | —         |
| HDMI_HPD       | W2   | HDMI_AVDDIO | PHY                    | —                            | —                              | —            | —         |
| HDMI_REFCLK_N  | R1   | HDMI_AVDDIO | PHY                    | —                            | —                              | —            | —         |
| HDMI_REFCLK_P  | R2   | HDMI_AVDDIO | PHY                    | —                            | —                              | —            | —         |
| HDMI_REXT      | P1   | HDMI_AVDDIO | PHY                    | —                            | —                              | —            | —         |
| HDMI_TX_M_LN_0 | T2   | HDMI_AVDDIO | PHY                    | —                            | —                              | —            | —         |
| HDMI_TX_M_LN_1 | U1   | HDMI_AVDDIO | PHY                    | —                            | —                              | —            | —         |
| HDMI_TX_M_LN_2 | N1   | HDMI_AVDDIO | PHY                    | —                            | —                              | —            | —         |
| HDMI_TX_M_LN_3 | M2   | HDMI_AVDDIO | PHY                    | —                            | —                              | —            | —         |
| HDMI_TX_P_LN_0 | T1   | HDMI_AVDDIO | PHY                    | —                            | —                              | —            | —         |
| HDMI_TX_P_LN_1 | U2   | HDMI_AVDDIO | PHY                    | —                            | —                              | —            | —         |
| HDMI_TX_P_LN_2 | N2   | HDMI_AVDDIO | PHY                    | —                            | —                              | —            | —         |
| HDMI_TX_P_LN_3 | M1   | HDMI_AVDDIO | PHY                    | —                            | —                              | —            | —         |
| I2C1_SCL       | E7   | NVCC_I2C    | GPIO                   | ALT5                         | GPIO5.IO[14]                   | Input        | PD (90 K) |
| I2C1_SDA       | E8   | NVCC_I2C    | GPIO                   | ALT5                         | GPIO5.IO[15]                   | Input        | PD (90 K) |
| I2C2_SCL       | G7   | NVCC_I2C    | GPIO                   | ALT5                         | GPIO5.IO[16]                   | Input        | PD (90 K) |
| I2C2_SDA       | F7   | NVCC_I2C    | GPIO                   | ALT5                         | GPIO5.IO[17]                   | Input        | PD (90 K) |
| I2C3_SCL       | G8   | NVCC_I2C    | GPIO                   | ALT5                         | GPIO5.IO[18]                   | Input        | PD (90 K) |
| I2C3_SDA       | E9   | NVCC_I2C    | GPIO                   | ALT5                         | GPIO5.IO[19]                   | Input        | PD (90 K) |
| I2C4_SCL       | F8   | NVCC_I2C    | GPIO                   | ALT5                         | GPIO5.IO[20]                   | Input        | PD (90 K) |
| I2C4_SDA       | F9   | NVCC_I2C    | GPIO                   | ALT5                         | GPIO5.IO[21]                   | Input        | PD (90 K) |
| JTAG_MOD       | U7   | NVCC_JTAG   | GPIO                   | ALT0                         | cjtag_wrapper.MOD              | Input        | PD (90 K) |
| JTAG_TCK       | T5   | NVCC_JTAG   | GPIO                   | ALT0                         | cjtag_wrapper.TCK              | Input        | PU 27 K)  |

Table 85. i.MX 8M Dual / 8M QuadLite / 8M Quad 17 x 17 mm functional contact assignments (continued)

| Ball name       | Ball | Power group | Ball type <sup>1</sup> | Reset condition <sup>2</sup> |                                |              |           |
|-----------------|------|-------------|------------------------|------------------------------|--------------------------------|--------------|-----------|
|                 |      |             |                        | Default mode (Reset mode)    | Default function (Signal name) | Input/Output | Value     |
| JTAG_TDI        | W5   | NVCC_JTAG   | GPIO                   | ALT0                         | cjtag_wrapper.TDI              | Input        | PU (27 K) |
| JTAG_TDO        | U5   | NVCC_JTAG   | GPIO                   | ALT0                         | cjtag_wrapper.TDO              | Input        | PU (27 K) |
| JTAG_TMS        | V5   | NVCC_JTAG   | GPIO                   | ALT0                         | cjtag_wrapper.TMS              | Input        | PU (27 K) |
| JTAG_TRST_B     | U6   | NVCC_JTAG   | GPIO                   | ALT0                         | cjtag_wrapper.TRST_B           | Input        | PU (27 K) |
| MIPI_CSI1_CLK_N | A22  | MIPI_VDDHA  | PHY                    | —                            | —                              | —            | —         |
| MIPI_CSI1_CLK_P | B22  | MIPI_VDDHA  | PHY                    | —                            | —                              | —            | —         |
| MIPI_CSI1_D0_N  | A23  | MIPI_VDDHA  | PHY                    | —                            | —                              | —            | —         |
| MIPI_CSI1_D0_P  | B23  | MIPI_VDDHA  | PHY                    | —                            | —                              | —            | —         |
| MIPI_CSI1_D1_N  | C22  | MIPI_VDDHA  | PHY                    | —                            | —                              | —            | —         |
| MIPI_CSI1_D1_P  | D22  | MIPI_VDDHA  | PHY                    | —                            | —                              | —            | —         |
| MIPI_CSI1_D2_N  | B24  | MIPI_VDDHA  | PHY                    | —                            | —                              | —            | —         |
| MIPI_CSI1_D2_P  | C23  | MIPI_VDDHA  | PHY                    | —                            | —                              | —            | —         |
| MIPI_CSI1_D3_N  | C21  | MIPI_VDDHA  | PHY                    | —                            | —                              | —            | —         |
| MIPI_CSI1_D3_P  | D21  | MIPI_VDDHA  | PHY                    | —                            | —                              | —            | —         |
| MIPI_CSI2_CLK_N | A19  | MIPI_VDDHA  | PHY                    | —                            | —                              | —            | —         |
| MIPI_CSI2_CLK_P | B19  | MIPI_VDDHA  | PHY                    | —                            | —                              | —            | —         |
| MIPI_CSI2_D0_N  | C20  | MIPI_VDDHA  | PHY                    | —                            | —                              | —            | —         |
| MIPI_CSI2_D0_P  | D20  | MIPI_VDDHA  | PHY                    | —                            | —                              | —            | —         |
| MIPI_CSI2_D1_N  | A20  | MIPI_VDDHA  | PHY                    | —                            | —                              | —            | —         |
| MIPI_CSI2_D1_P  | B20  | MIPI_VDDHA  | PHY                    | —                            | —                              | —            | —         |
| MIPI_CSI2_D2_N  | A21  | MIPI_VDDHA  | PHY                    | —                            | —                              | —            | —         |
| MIPI_CSI2_D2_P  | B21  | MIPI_VDDHA  | PHY                    | —                            | —                              | —            | —         |
| MIPI_CSI2_D3_N  | C19  | MIPI_VDDHA  | PHY                    | —                            | —                              | —            | —         |
| MIPI_CSI2_D3_P  | D19  | MIPI_VDDHA  | PHY                    | —                            | —                              | —            | —         |
| MIPI_DSI_CLK_N  | C16  | MIPI_VDDHA  | PHY                    | —                            | —                              | —            | —         |
| MIPI_DSI_CLK_P  | D16  | MIPI_VDDHA  | PHY                    | —                            | —                              | —            | —         |
| MIPI_DSI_D0_N   | A17  | MIPI_VDDHA  | PHY                    | —                            | —                              | —            | —         |
| MIPI_DSI_D0_P   | B17  | MIPI_VDDHA  | PHY                    | —                            | —                              | —            | —         |
| MIPI_DSI_D1_N   | A16  | MIPI_VDDHA  | PHY                    | —                            | —                              | —            | —         |
| MIPI_DSI_D1_P   | B16  | MIPI_VDDHA  | PHY                    | —                            | —                              | —            | —         |



Table 85. i.MX 8M Dual / 8M QuadLite / 8M Quad 17 x 17 mm functional contact assignments (continued)

| Ball name               | Ball | Power group | Ball type <sup>1</sup> | Reset condition <sup>2</sup> |                                |              |           |
|-------------------------|------|-------------|------------------------|------------------------------|--------------------------------|--------------|-----------|
|                         |      |             |                        | Default mode (Reset mode)    | Default function (Signal name) | Input/Output | Value     |
| MIPI_DSI_D2_N           | A18  | MIPI_VDDHA  | PHY                    | —                            | —                              | —            | —         |
| MIPI_DSI_D2_P           | B18  | MIPI_VDDHA  | PHY                    | —                            | —                              | —            | —         |
| MIPI_DSI_D3_N           | A15  | MIPI_VDDHA  | PHY                    | —                            | —                              | —            | —         |
| MIPI_DSI_D3_P           | B15  | MIPI_VDDHA  | PHY                    | —                            | —                              | —            | —         |
| MIPI_DSI_REXT           | C17  | MIPI_VDDHA  | PHY                    | —                            | —                              | —            | —         |
| NAND_ALE                | G19  | NVCC_NAND   | GPIO                   | ALT5                         | GPIO3.IO[0]                    | Input        | PD (90 K) |
| NAND_CE0_B              | H19  | NVCC_NAND   | GPIO                   | ALT5                         | GPIO3.IO[1]                    | Input        | PD (90 K) |
| NAND_CE1_B              | G21  | NVCC_NAND   | GPIO                   | ALT5                         | GPIO3.IO[2]                    | Input        | PD (90 K) |
| NAND_CE2_B              | F21  | NVCC_NAND   | GPIO                   | ALT5                         | GPIO3.IO[3]                    | Input        | PD (90 K) |
| NAND_CE3_B              | H20  | NVCC_NAND   | GPIO                   | ALT5                         | GPIO3.IO[4]                    | Input        | PD (90 K) |
| NAND_CLE                | H21  | NVCC_NAND   | GPIO                   | ALT5                         | GPIO3.IO[5]                    | Input        | PD (90 K) |
| NAND_DATA00             | G20  | NVCC_NAND   | GPIO                   | ALT5                         | GPIO3.IO[6]                    | Input        | PD (90 K) |
| NAND_DATA01             | J20  | NVCC_NAND   | GPIO                   | ALT5                         | GPIO3.IO[7]                    | Input        | PD (90 K) |
| NAND_DATA02             | H22  | NVCC_NAND   | GPIO                   | ALT5                         | GPIO3.IO[8]                    | Input        | PD (90 K) |
| NAND_DATA03             | J21  | NVCC_NAND   | GPIO                   | ALT5                         | GPIO3.IO[9]                    | Input        | PD (90 K) |
| NAND_DATA04             | L20  | NVCC_NAND   | GPIO                   | ALT5                         | GPIO3.IO[10]                   | Input        | PD (90 K) |
| NAND_DATA05             | J22  | NVCC_NAND   | GPIO                   | ALT5                         | GPIO3.IO[11]                   | Input        | PD (90 K) |
| NAND_DATA06             | L19  | NVCC_NAND   | GPIO                   | ALT5                         | GPIO3.IO[12]                   | Input        | PD (90 K) |
| NAND_DATA07             | M19  | NVCC_NAND   | GPIO                   | ALT5                         | GPIO3.IO[13]                   | Input        | PD (90 K) |
| NAND_DQS                | M20  | NVCC_NAND   | GPIO                   | ALT5                         | GPIO3.IO[14]                   | Input        | PD (90 K) |
| NAND_RE_B               | K19  | NVCC_NAND   | GPIO                   | ALT5                         | GPIO3.IO[15]                   | Input        | PD (90 K) |
| NAND_READY_B            | K20  | NVCC_NAND   | GPIO                   | ALT5                         | GPIO3.IO[16]                   | Input        | PD (90 K) |
| NAND_WE_B               | K22  | NVCC_NAND   | GPIO                   | ALT5                         | GPIO3.IO[17]                   | Input        | PD (90 K) |
| NAND_WP_B               | K21  | NVCC_NAND   | GPIO                   | ALT5                         | GPIO3.IO[18]                   | Input        | PD (90 K) |
| ONOFF                   | W21  | NVCC_SNVS   | GPIO                   | ALT0                         | snvsmix.ONOFF                  | Input        | PU (27 K) |
| PCIE1_REF_PAD_C<br>LK_N | K24  | PCIE_VPH    | PHY                    | —                            | —                              | —            | —         |
| PCIE1_REF_PAD_C<br>LK_P | K25  | PCIE_VPH    | PHY                    | —                            | —                              | —            | —         |
| PCIE1_RESREF            | G25  | PCIE_VPH    | PHY                    | —                            | —                              | —            | —         |

Table 85. i.MX 8M Dual / 8M QuadLite / 8M Quad 17 x 17 mm functional contact assignments (continued)

| Ball name              | Ball | Power group | Ball type <sup>1</sup> | Reset condition <sup>2</sup> |                                |              |                      |
|------------------------|------|-------------|------------------------|------------------------------|--------------------------------|--------------|----------------------|
|                        |      |             |                        | Default mode (Reset mode)    | Default function (Signal name) | Input/Output | Value                |
| PCIE1_RXN_N            | H24  | PCIE_VPH    | PHY                    | —                            | —                              | —            | —                    |
| PCIE1_RXN_P            | H25  | PCIE_VPH    | PHY                    | —                            | —                              | —            | —                    |
| PCIE1_TXN_N            | J24  | PCIE_VPH    | PHY                    | —                            | —                              | —            | —                    |
| PCIE1_TXN_P            | J25  | PCIE_VPH    | PHY                    | —                            | —                              | —            | —                    |
| PCIE2_REF_PAD_C LK_N   | F24  | PCIE_VPH    | PHY                    | —                            | —                              | —            | —                    |
| PCIE2_REF_PAD_C LK_P   | F25  | PCIE_VPH    | PHY                    | —                            | —                              | —            | —                    |
| PCIE2_RESREF           | C25  | PCIE_VPH    | PHY                    | —                            | —                              | —            | —                    |
| PCIE2_RXN_N            | D24  | PCIE_VPH    | PHY                    | —                            | —                              | —            | —                    |
| PCIE2_RXN_P            | D25  | PCIE_VPH    | PHY                    | —                            | —                              | —            | —                    |
| PCIE2_TXN_N            | E24  | PCIE_VPH    | PHY                    | —                            | —                              | —            | —                    |
| PCIE2_TXN_P            | E25  | PCIE_VPH    | PHY                    | —                            | —                              | —            | —                    |
| PMIC_ON_REQ            | V20  | NVCC_SNVS   | GPIO                   | ALT0                         | snvsmix.PMIC_ON_RE Q           | Output       | Open-Drain PU (27 K) |
| PMIC_STBY_REQ          | V21  | NVCC_SNVS   | GPIO                   | ALT0                         | ccmsrcgpcmix.PMIC_S TBY_REQ    | Output       | Low                  |
| POR_B                  | W20  | NVCC_SNVS   | GPIO                   | ALT0                         | snvsmix.POR_B                  | Input        | PU (27 K)            |
| RTC                    | V22  | NVCC_SNVS   | GPIO                   | ALT0                         | snvsmix.RTC                    | Input        | PD (90 K)            |
| RTC_RESET_B            | W19  | NVCC_SNVS   | GPIO                   | ALT0                         | snvsmix.RTC_POR_B              | Input        | PU (27 K)            |
| SAI1_MCLK              | A3   | NVCC_SAI1   | GPIO                   | ALT5                         | GPIO4.IO[20]                   | Input        | PD (90 K)            |
| SAI1_RXC               | K1   | NVCC_SAI1   | GPIO                   | ALT5                         | GPIO4.IO[1]                    | Input        | PD (90 K)            |
| SAI1_RXD0 <sup>5</sup> | K2   | NVCC_SAI1   | GPIO                   | ALT5                         | GPIO4.IO[2]                    | Input        | PD (90 K)            |
| SAI1_RXD1 <sup>5</sup> | L2   | NVCC_SAI1   | GPIO                   | ALT5                         | GPIO4.IO[3]                    | Input        | PD (90 K)            |
| SAI1_RXD2 <sup>5</sup> | H2   | NVCC_SAI1   | GPIO                   | ALT5                         | GPIO4.IO[4]                    | Input        | PD (90 K)            |
| SAI1_RXD3 <sup>5</sup> | J2   | NVCC_SAI1   | GPIO                   | ALT5                         | GPIO4.IO[5]                    | Input        | PD (90 K)            |
| SAI1_RXD4 <sup>5</sup> | J1   | NVCC_SAI1   | GPIO                   | ALT5                         | GPIO4.IO[6]                    | Input        | PD (90 K)            |
| SAI1_RXD5 <sup>5</sup> | F1   | NVCC_SAI1   | GPIO                   | ALT5                         | GPIO4.IO[7]                    | Input        | PD (90 K)            |
| SAI1_RXD6 <sup>5</sup> | G2   | NVCC_SAI1   | GPIO                   | ALT5                         | GPIO4.IO[8]                    | Input        | PD (90 K)            |
| SAI1_RXD7 <sup>5</sup> | G1   | NVCC_SAI1   | GPIO                   | ALT5                         | GPIO4.IO[9]                    | Input        | PD (90 K)            |
| SAI1_RXFS              | L1   | NVCC_SAI1   | GPIO                   | ALT5                         | GPIO4.IO[0]                    | Input        | PD (90 K)            |

Table 85. i.MX 8M Dual / 8M QuadLite / 8M Quad 17 x 17 mm functional contact assignments (continued)

| Ball name              | Ball | Power group | Ball type <sup>1</sup> | Reset condition <sup>2</sup> |                                |              |           |
|------------------------|------|-------------|------------------------|------------------------------|--------------------------------|--------------|-----------|
|                        |      |             |                        | Default mode (Reset mode)    | Default function (Signal name) | Input/Output | Value     |
| SAI1_TXC               | E1   | NVCC_SAI1   | GPIO                   | ALT5                         | GPIO4.IO[11]                   | Input        | PD (90 K) |
| SAI1_TXD0 <sup>5</sup> | F2   | NVCC_SAI1   | GPIO                   | ALT5                         | GPIO4.IO[12]                   | Input        | PD (90 K) |
| SAI1_TXD1 <sup>5</sup> | E2   | NVCC_SAI1   | GPIO                   | ALT5                         | GPIO4.IO[13]                   | Input        | PD (90 K) |
| SAI1_TXD2 <sup>5</sup> | B2   | NVCC_SAI1   | GPIO                   | ALT5                         | GPIO4.IO[14]                   | Input        | PD (90 K) |
| SAI1_TXD3 <sup>5</sup> | D1   | NVCC_SAI1   | GPIO                   | ALT5                         | GPIO4.IO[15]                   | Input        | PD (90 K) |
| SAI1_TXD4 <sup>5</sup> | D2   | NVCC_SAI1   | GPIO                   | ALT5                         | GPIO4.IO[16]                   | Input        | PD (90 K) |
| SAI1_TXD5 <sup>5</sup> | C2   | NVCC_SAI1   | GPIO                   | ALT5                         | GPIO4.IO[17]                   | Input        | PD (90 K) |
| SAI1_TXD6 <sup>5</sup> | B3   | NVCC_SAI1   | GPIO                   | ALT5                         | GPIO4.IO[18]                   | Input        | PD (90 K) |
| SAI1_TXD7 <sup>5</sup> | C1   | NVCC_SAI1   | GPIO                   | ALT5                         | GPIO4.IO[19]                   | Input        | PD (90 K) |
| SAI1_TXFS              | H1   | NVCC_SAI1   | GPIO                   | ALT5                         | GPIO4.IO[10]                   | Input        | PD (90 K) |
| SAI2_MCLK              | H5   | NVCC_SAI2   | GPIO                   | ALT5                         | GPIO4.IO[27]                   | Input        | PD (90 K) |
| SAI2_RXC               | H3   | NVCC_SAI2   | GPIO                   | ALT5                         | GPIO4.IO[22]                   | Input        | PD (90 K) |
| SAI2_RXD0              | H6   | NVCC_SAI2   | GPIO                   | ALT5                         | GPIO4.IO[23]                   | Input        | PD (90 K) |
| SAI2_RXFS              | J4   | NVCC_SAI2   | GPIO                   | ALT5                         | GPIO4.IO[21]                   | Input        | PD (90 K) |
| SAI2_TXC               | J5   | NVCC_SAI2   | GPIO                   | ALT5                         | GPIO4.IO[25]                   | Input        | PD (90 K) |
| SAI2_TXD0              | G5   | NVCC_SAI2   | GPIO                   | ALT5                         | GPIO4.IO[26]                   | Input        | PD (90 K) |
| SAI2_TXFS              | H4   | NVCC_SAI2   | GPIO                   | ALT5                         | GPIO4.IO[24]                   | Input        | PD (90 K) |
| SAI3_MCLK              | D3   | NVCC_SAI3   | GPIO                   | ALT5                         | GPIO5.IO[2]                    | Input        | PD (90 K) |
| SAI3_RXC               | F4   | NVCC_SAI3   | GPIO                   | ALT5                         | GPIO4.IO[29]                   | Input        | PD (90 K) |
| SAI3_RXD               | F3   | NVCC_SAI3   | GPIO                   | ALT5                         | GPIO4.IO[30]                   | Input        | PD (90 K) |
| SAI3_RXFS              | G4   | NVCC_SAI3   | GPIO                   | ALT5                         | GPIO4.IO[28]                   | Input        | PD (90 K) |
| SAI3_TXC               | C4   | NVCC_SAI3   | GPIO                   | ALT5                         | GPIO5.IO[0]                    | Input        | PD (90 K) |
| SAI3_TXD               | C3   | NVCC_SAI3   | GPIO                   | ALT5                         | GPIO5.IO[1]                    | Input        | PD (90 K) |
| SAI3_TXFS              | G3   | NVCC_SAI3   | GPIO                   | ALT5                         | GPIO4.IO[31]                   | Input        | PD (90 K) |
| SAI5_MCLK              | K4   | NVCC_SAI5   | GPIO                   | ALT5                         | GPIO3.IO[25]                   | Input        | PD (90 K) |
| SAI5_RXC               | L5   | NVCC_SAI5   | GPIO                   | ALT5                         | GPIO3.IO[20]                   | Input        | PD (90 K) |
| SAI5_RXD0              | M5   | NVCC_SAI5   | GPIO                   | ALT5                         | GPIO3.IO[21]                   | Input        | PD (90 K) |
| SAI5_RXD1              | L4   | NVCC_SAI5   | GPIO                   | ALT5                         | GPIO3.IO[22]                   | Input        | PD (90 K) |
| SAI5_RXD2              | M4   | NVCC_SAI5   | GPIO                   | ALT5                         | GPIO3.IO[23]                   | Input        | PD (90 K) |
| SAI5_RXD3              | K5   | NVCC_SAI5   | GPIO                   | ALT5                         | GPIO3.IO[24]                   | Input        | PD (90 K) |

Table 85. i.MX 8M Dual / 8M QuadLite / 8M Quad 17 x 17 mm functional contact assignments (continued)

| Ball name     | Ball | Power group | Ball type <sup>1</sup> | Reset condition <sup>2</sup> |                                |              |           |
|---------------|------|-------------|------------------------|------------------------------|--------------------------------|--------------|-----------|
|               |      |             |                        | Default mode (Reset mode)    | Default function (Signal name) | Input/Output | Value     |
| SAI5_RXFS     | N4   | NVCC_SAI5   | GPIO                   | ALT5                         | GPIO3.IO[19]                   | Input        | PD (90 K) |
| SD1_CLK       | L25  | NVCC_SD1    | GPIO                   | ALT5                         | GPIO2.IO[0]                    | Input        | PD (90 K) |
| SD1_CMD       | L24  | NVCC_SD1    | GPIO                   | ALT5                         | GPIO2.IO[1]                    | Input        | PD (90 K) |
| SD1_DATA0     | M25  | NVCC_SD1    | GPIO                   | ALT5                         | GPIO2.IO[2]                    | Input        | PD (90 K) |
| SD1_DATA1     | M24  | NVCC_SD1    | GPIO                   | ALT5                         | GPIO2.IO[3]                    | Input        | PD (90 K) |
| SD1_DATA2     | N25  | NVCC_SD1    | GPIO                   | ALT5                         | GPIO2.IO[4]                    | Input        | PD (90 K) |
| SD1_DATA3     | P25  | NVCC_SD1    | GPIO                   | ALT5                         | GPIO2.IO[5]                    | Input        | PD (90 K) |
| SD1_DATA4     | N24  | NVCC_SD1    | GPIO                   | ALT5                         | GPIO2.IO[6]                    | Input        | PD (90 K) |
| SD1_DATA5     | P24  | NVCC_SD1    | GPIO                   | ALT5                         | GPIO2.IO[7]                    | Input        | PD (90 K) |
| SD1_DATA6     | R25  | NVCC_SD1    | GPIO                   | ALT5                         | GPIO2.IO[8]                    | Input        | PD (90 K) |
| SD1_DATA7     | T25  | NVCC_SD1    | GPIO                   | ALT5                         | GPIO2.IO[9]                    | Input        | PD (90 K) |
| SD1_RESET_B   | R24  | NVCC_SD1    | GPIO                   | ALT5                         | GPIO2.IO[10]                   | Input        | PD (90 K) |
| SD1_STROBE    | T24  | NVCC_SD1    | GPIO                   | ALT5                         | GPIO2.IO[11]                   | Input        | PD (90 K) |
| SD2_CD_B      | L21  | NVCC_SD2    | GPIO                   | ALT5                         | GPIO2.IO[12]                   | Input        | PD (90 K) |
| SD2_CLK       | L22  | NVCC_SD2    | GPIO                   | ALT5                         | GPIO2.IO[13]                   | Input        | PD (90 K) |
| SD2_CMD       | M22  | NVCC_SD2    | GPIO                   | ALT5                         | GPIO2.IO[14]                   | Input        | PD (90 K) |
| SD2_DATA0     | N22  | NVCC_SD2    | GPIO                   | ALT5                         | GPIO2.IO[15]                   | Input        | PD (90 K) |
| SD2_DATA1     | N21  | NVCC_SD2    | GPIO                   | ALT5                         | GPIO2.IO[16]                   | Input        | PD (90 K) |
| SD2_DATA2     | P22  | NVCC_SD2    | GPIO                   | ALT5                         | GPIO2.IO[17]                   | Input        | PD (90 K) |
| SD2_DATA3     | P21  | NVCC_SD2    | GPIO                   | ALT5                         | GPIO2.IO[18]                   | Input        | PD (90 K) |
| SD2_RESET_B   | R22  | NVCC_SD2    | GPIO                   | ALT5                         | GPIO2.IO[19]                   | Input        | PD (90 K) |
| SD2_WP        | M21  | NVCC_SD2    | GPIO                   | ALT5                         | GPIO2.IO[20]                   | Input        | PD (90 K) |
| SPDIF_EXT_CLK | E6   | NVCC_SAI3   | GPIO                   | ALT5                         | GPIO5.IO[5]                    | Input        | PD (90 K) |
| SPDIF_RX      | G6   | NVCC_SAI3   | GPIO                   | ALT5                         | GPIO5.IO[4]                    | Input        | PD (90 K) |
| SPDIF_TX      | F6   | NVCC_SAI3   | GPIO                   | ALT5                         | GPIO5.IO[3]                    | Input        | PD (90 K) |
| TEST_MODE     | V7   | NVCC_JTAG   | GPIO                   | ALT0                         | tcu.TEST_MODE                  | Input        | PD (90 K) |
| UART1_RXD     | C7   | NVCC_UART   | GPIO                   | ALT5                         | GPIO5.IO[22]                   | Input        | PD (90 K) |
| UART1_TXD     | A7   | NVCC_UART   | GPIO                   | ALT5                         | GPIO5.IO[23]                   | Input        | PD (90 K) |
| UART2_RXD     | B6   | NVCC_UART   | GPIO                   | ALT5                         | GPIO5.IO[24]                   | Input        | PD (90 K) |
| UART2_TXD     | D6   | NVCC_UART   | GPIO                   | ALT5                         | GPIO5.IO[25]                   | Input        | PD (90 K) |

Table 85. i.MX 8M Dual / 8M QuadLite / 8M Quad 17 x 17 mm functional contact assignments (continued)

| Ball name   | Ball | Power group | Ball type <sup>1</sup> | Reset condition <sup>2</sup> |                                |              |           |
|-------------|------|-------------|------------------------|------------------------------|--------------------------------|--------------|-----------|
|             |      |             |                        | Default mode (Reset mode)    | Default function (Signal name) | Input/Output | Value     |
| UART3_RXD   | A6   | NVCC_UART   | GPIO                   | ALT5                         | GPIO5.IO[26]                   | Input        | PD (90 K) |
| UART3_TXD   | B7   | NVCC_UART   | GPIO                   | ALT5                         | GPIO5.IO[27]                   | Input        | PD (90 K) |
| UART4_RXD   | C6   | NVCC_UART   | GPIO                   | ALT5                         | GPIO5.IO[28]                   | Input        | PD (90 K) |
| UART4_TXD   | D7   | NVCC_UART   | GPIO                   | ALT5                         | GPIO5.IO[29]                   | Input        | PD (90 K) |
| USB1_DN     | B14  | USB1_VDD33  | PHY                    | —                            | —                              | —            | —         |
| USB1_DP     | A14  | USB1_VDD33  | PHY                    | —                            | —                              | —            | —         |
| USB1_ID     | C14  | USB1_VDD33  | PHY                    | —                            | —                              | —            | —         |
| USB1_RESREF | A11  | USB1_VPH    | PHY                    | —                            | —                              | —            | —         |
| USB1_RX_N   | B12  | USB1_VPH    | PHY                    | —                            | —                              | —            | —         |
| USB1_RX_P   | A12  | USB1_VPH    | PHY                    | —                            | —                              | —            | —         |
| USB1_TX_N   | B13  | USB1_VPH    | PHY                    | —                            | —                              | —            | —         |
| USB1_TX_P   | A13  | USB1_VPH    | PHY                    | —                            | —                              | —            | —         |
| USB1_VBUS   | D14  | USB1_VDD33  | PHY                    | —                            | —                              | —            | —         |
| USB2_DN     | B10  | USB2_VDD33  | PHY                    | —                            | —                              | —            | —         |
| USB2_DP     | A10  | USB2_VDD33  | PHY                    | —                            | —                              | —            | —         |
| USB2_ID     | C9   | USB2_VDD33  | PHY                    | —                            | —                              | —            | —         |
| USB2_RESREF | B11  | USB2_VPH    | PHY                    | —                            | —                              | —            | —         |
| USB2_RX_N   | B8   | USB2_VPH    | PHY                    | —                            | —                              | —            | —         |
| USB2_RX_P   | A8   | USB2_VPH    | PHY                    | —                            | —                              | —            | —         |
| USB2_TX_N   | B9   | USB2_VPH    | PHY                    | —                            | —                              | —            | —         |
| USB2_TX_P   | A9   | USB2_VPH    | PHY                    | —                            | —                              | —            | —         |
| USB2_VBUS   | D9   | USB2_VDD33  | PHY                    | —                            | —                              | —            | —         |
| XTALI_25M   | U25  | VDDA        | ANALOG                 | —                            | —                              | —            | —         |
| XTALI_27M   | V25  | VDDA        | ANALOG                 | —                            | —                              | —            | —         |
| XTALO_25M   | U24  | VDDA        | ANALOG                 | —                            | —                              | —            | —         |
| XTALO_27M   | V24  | VDDA        | ANALOG                 | —                            | —                              | —            | —         |

<sup>1</sup> The state immediately after RESET and before ROM firmware or software has executed.

<sup>2</sup> The state during, after RESET and before ROM firmware or software has executed.

<sup>3</sup> Jtag Active output during reset

<sup>4</sup> INT\_BOOT output (High) during reset

<sup>5</sup> Boot Configure Input

### 5.1.3 i.MX 8M Dual / 8M QuadLite / 8M Quad 17 x 17 mm 0.65 mm pitch ball map

Table 86 shows the i.MX 8M Dual / 8M QuadLite / 8M Quad 17 x 17 mm, 0.65 mm pitch ball map.

Table 86. 17 x 17 mm, 0.65 mm pitch ball map

|                     | 1             | 2              | 3              | 4               | 5               | 6 | 7 | 8 | 9 | 10 | 11 | 12 | 13 | 14 | 15 | 16 | 17 | 18 | 19 | 20 | 21 | 22 | 23 | 24 | 25 |
|---------------------|---------------|----------------|----------------|-----------------|-----------------|---|---|---|---|----|----|----|----|----|----|----|----|----|----|----|----|----|----|----|----|
| F                   | E             | D              | C              | B               | A               |   |   |   |   |    |    |    |    |    |    |    |    |    |    |    |    |    |    |    |    |
| SAI1_RXD5           | SAI1_TXC      | SAI1_TXD3      | SAI1_TXD7      | VSS             |                 |   |   |   |   |    |    |    |    |    |    |    |    |    |    |    |    |    |    |    |    |
| SAI1_TXD0           | SAI1_TXD1     | SAI1_TXD4      | SAI1_TXD5      | SAI1_TXD2       | VSS             |   |   |   |   |    |    |    |    |    |    |    |    |    |    |    |    |    |    |    |    |
| SAI3_RXD            | NVCC_SAI3     | SAI3_MCLK      | SAI3_TXD       | SAI1_TXD6       | SAI1_MCLK       |   |   |   |   |    |    |    |    |    |    |    |    |    |    |    |    |    |    |    |    |
| SAI3_RXC            | VSS           | ECSP11_SS0     | SAI3_TXC       | ECSP11_MISO     | ECSP11_MOSI     |   |   |   |   |    |    |    |    |    |    |    |    |    |    |    |    |    |    |    |    |
| NVCC_ECSP1          | ECSP12_MOSI   | ECSP11_SCLK    | ECSP12_SCLK    | ECSP12_MISO     | ECSP12_SS0      |   |   |   |   |    |    |    |    |    |    |    |    |    |    |    |    |    |    |    |    |
| SPDIF_TX            | SPDIF_EXT_CLK | UART2_TXD      | UART4_RXD      | UART2_RXD       | UART3_RXD       |   |   |   |   |    |    |    |    |    |    |    |    |    |    |    |    |    |    |    |    |
| I2C2_SDA            | I2C1_SCL      | UART4_TXD      | UART1_RXD      | UART3_TXD       | UART1_TXD       |   |   |   |   |    |    |    |    |    |    |    |    |    |    |    |    |    |    |    |    |
| I2C4_SCL            | I2C1_SDA      | NVCC_UART      | VSS            | USB2_RX_N       | USB2_RX_P       |   |   |   |   |    |    |    |    |    |    |    |    |    |    |    |    |    |    |    |    |
| I2C4_SDA            | I2C3_SDA      | USB2_VBUS      | USB2_ID        | USB2_TX_N       | USB2_TX_P       |   |   |   |   |    |    |    |    |    |    |    |    |    |    |    |    |    |    |    |    |
| VSS                 | VSS           | VSS            | VSS            | USB2_DN         | USB2_DP         |   |   |   |   |    |    |    |    |    |    |    |    |    |    |    |    |    |    |    |    |
| USB2_VPH            | USB2_DVDD     | USB2_VP        | USB2_VPTX      | USB2_RESREF     | USB1_RESREF     |   |   |   |   |    |    |    |    |    |    |    |    |    |    |    |    |    |    |    |    |
| USB1_VPH            | USB1_DVDD     | USB1_VP        | USB1_VPTX      | USB1_RX_N       | USB1_RX_P       |   |   |   |   |    |    |    |    |    |    |    |    |    |    |    |    |    |    |    |    |
| VSS                 | VSS           | VSS            | VSS            | USB1_TX_N       | USB1_TX_P       |   |   |   |   |    |    |    |    |    |    |    |    |    |    |    |    |    |    |    |    |
| VSS                 | VSS           | USB1_VBUS      | USB1_ID        | USB1_DN         | USB1_DP         |   |   |   |   |    |    |    |    |    |    |    |    |    |    |    |    |    |    |    |    |
| MIPI_VDD            | MIPI_VDD      | VSS            | VSS            | MIPI_DSI_D3_P   | MIPI_DSI_D3_N   |   |   |   |   |    |    |    |    |    |    |    |    |    |    |    |    |    |    |    |    |
| VSS                 | VSS           | MIPI_DSI_CLK_P | MIPI_DSI_CLK_N | MIPI_DSI_D1_P   | MIPI_DSI_D1_N   |   |   |   |   |    |    |    |    |    |    |    |    |    |    |    |    |    |    |    |    |
| MIPI_VDDA           | MIPI_VDDA     | MIPI_VDDHA     | MIPI_DSI_REXT  | MIPI_DSI_D0_P   | MIPI_DSI_D0_N   |   |   |   |   |    |    |    |    |    |    |    |    |    |    |    |    |    |    |    |    |
| MIPI_VDDA           | MIPI_VDDA     | MIPI_VDDHA     | MIPI_VDDHA     | MIPI_DSI_D2_P   | MIPI_DSI_D2_N   |   |   |   |   |    |    |    |    |    |    |    |    |    |    |    |    |    |    |    |    |
| MIPI_VDDPLL         | VSS           | MIPI_CSI2_D3_P | MIPI_CSI2_D3_N | MIPI_CSI2_CLK_P | MIPI_CSI2_CLK_N |   |   |   |   |    |    |    |    |    |    |    |    |    |    |    |    |    |    |    |    |
| VSS                 | VSS           | MIPI_CSI2_D0_P | MIPI_CSI2_D0_N | MIPI_CSI2_D1_P  | MIPI_CSI2_D1_N  |   |   |   |   |    |    |    |    |    |    |    |    |    |    |    |    |    |    |    |    |
| NAND_CE2_B          | VSS           | MIPI_CSI1_D3_P | MIPI_CSI1_D3_N | MIPI_CSI2_D2_P  | MIPI_CSI2_D2_N  |   |   |   |   |    |    |    |    |    |    |    |    |    |    |    |    |    |    |    |    |
| PCIE_VP             | VSS           | MIPI_CSI1_D1_P | MIPI_CSI1_D1_N | MIPI_CSI2_D2_P  | MIPI_CSI2_D2_N  |   |   |   |   |    |    |    |    |    |    |    |    |    |    |    |    |    |    |    |    |
| PCIE_VPTX           | VSS           | VSS            | MIPI_CSI1_D2_P | MIPI_CSI1_CLK_P | MIPI_CSI1_CLK_N |   |   |   |   |    |    |    |    |    |    |    |    |    |    |    |    |    |    |    |    |
| PCIE2_REF_PAD_CLK_N | PCIE2_TXN_N   | PCIE2_RXN_N    | VSS            | MIPI_CSI1_D0_P  | MIPI_CSI1_D0_N  |   |   |   |   |    |    |    |    |    |    |    |    |    |    |    |    |    |    |    |    |
| PCIE2_REF_PAD_CLK_P | PCIE2_TXN_P   | PCIE2_RXN_P    | PCIE2_RESREF   | MIPI_CSI1_D2_N  | VSS             |   |   |   |   |    |    |    |    |    |    |    |    |    |    |    |    |    |    |    |    |

Table 86. 17 x 17 mm, 0.65 mm pitch ball map (continued)

| M              | L           | K                   | J           | H           | G            |
|----------------|-------------|---------------------|-------------|-------------|--------------|
| HDMI_TX_P_LN_3 | SAI1_RXFS   | SAI1_RXC            | SAI1_RXD4   | SAI1_TXFS   | SAI1_RXD7    |
| HDMI_TX_M_LN_3 | SAI1_RXD1   | SAI1_RXD0           | SAI1_RXD3   | SAI1_RXD2   | SAI1_RXD6    |
| NVCC_SAI5      | NVCC_SAI1   | NVCC_SAI1           | VSS         | SAI2_RXC    | SAI3_TXFS    |
| SAI5_RXD2      | SAI5_RXD1   | SAI5_MCLK           | SAI2_RXFS   | SAI2_TXFS   | SAI3_RXFS    |
| SAI5_RXD0      | SAI5_RXC    | SAI5_RXD3           | SAI2_TXC    | SAI2_MCLK   | SAI2_TXD0    |
| GPIO1_IO09     | GPIO1_IO11  | GPIO1_IO13          | GPIO1_IO15  | SAI2_RXD0   | SPDIF_RX     |
| GPIO1_IO10     | GPIO1_IO12  | GPIO1_IO14          | NVCC_SAI2   | NVCC_I2C    | I2C2_SCL     |
| VSS            | VSS         | VSS                 | VSS         | VSS         | I2C3_SCL     |
| VDD_GPU        | VDD_GPU     | VDD_GPU             | VDD_GPU     | VSS         | VSS          |
| VDD_GPU        | VDD_GPU     | VDD_GPU             | VDD_GPU     | VSS         | VSS          |
| VSS            | VSS         | VSS                 | VSS         | VSS         | USB2_VDD33   |
| VDD_SOC        | VDD_SOC     | VDD_SOC             | VSS         | VSS         | USB1_VDD33   |
| VDD_SOC        | VDD_SOC     | VSSA_FPLL_ARM       | VSS         | VSS         | VSS          |
| VSS            | VSS         | VDDA_1P8_FPLL-ARM   | VSS         | VDD_ARM     | VDD_ARM      |
| VDD_ARM        | VDD_ARM     | VDD_ARM             | VDD_ARM     | VDD_ARM     | VDD_ARM      |
| VDD_ARM        | VDD_ARM     | VDD_ARM             | VDD_ARM     | VDD_ARM     | VDD_ARM      |
| VSS            | VSS         | VSS                 | VSS         | VSS         | VSS          |
| NVCC_NAND      | NVCC_NAND   | VSS                 | VSS         | VSS         | VSS          |
| NAND_DATA07    | NAND_DATA06 | NAND_RE_B           | VSS         | NAND_CE0_B  | NAND_ALE     |
| NAND_DQS       | NAND_DATA04 | NAND_READY_B        | NAND_DATA01 | NAND_CE3_B  | NAND_DATA00  |
| SD2_WP         | SD2_CD_B    | NAND_WP_B           | NAND_DATA03 | NAND_CLE    | NAND_CE1_B   |
| SD2_CMD        | SD2_CLK     | NAND_WE_B           | NAND_DATA05 | NAND_DATA02 | PCIE_VP      |
| NVCC_SD1       | NVCC_SD1    | VSS                 | PCIE_VPH    | PCIE_VPH    | PCIE_VPTX    |
| SD1_DATA1      | SD1_CMD     | PCIE1_REF_PAD_CLK_N | PCIE1_TXN_N | PCIE1_RXN_N | VSS          |
| SD1_DATA0      | SD1_CLK     | PCIE1_REF_PAD_CLK_P | PCIE1_TXN_P | PCIE1_RXN_P | PCIE1_RESREF |

Table 86. 17 x 17 mm, 0.65 mm pitch ball map (continued)

| V             | U              | T                  | R             | P            | N                    |
|---------------|----------------|--------------------|---------------|--------------|----------------------|
| HDMI_AUX_P    | HDMI_TX_M_LN_1 | HDMI_TX_P_LN_0     | HDMI_REFCLK_N | HDMI_REXT    | HDMI_TX_M_LN_2       |
| HDMI_AUX_N    | HDMI_TX_P_LN_1 | HDMI_TX_M_LN_0     | HDMI_REFCLK_P | HDMI_AVDDIO  | HDMI_TX_P_LN_2       |
| HDMI_AVDDCLK  | HDMI_AVDDCORE  | VSS                | HDMI_DDC_SCL  | HDMI_DDC_SDA | VSS                  |
| VSS           | HDMI_AVDDCORE  | VSS                | GPIO1_IO02    | GPIO1_IO03   | SAI5_RXFS            |
| JTAG_TMS      | JTAG_TDO       | JTAG_TCK           | NVCC_GPIO1    | GPIO1_IO04   | GPIO1_IO06           |
| BOOT_MODE1    | JTAG_TRST_B    | GPIO1_IO00         | NVCC_GPIO1    | VSS          | GPIO1_IO07           |
| TEST_MODE     | JTAG_MOD       | GPIO1_IO01         | VSS           | GPIO1_IO05   | GPIO1_IO08           |
| VSS           | VSS            | VDD_SOC            | VDD_SOC       | VSS          | VDD_VPU              |
| VDD_DRAM      | VSS            | VSS                | VDD_SOC       | VDD_VPU      | VDD_VPU              |
| VDD_DRAM      | VDD_DRAM       | VSS                | VDD_SOC       | VDD_VPU      | VDD_VPU              |
| VDD_DRAM      | VDD_DRAM       | VSS                | VDD_SOC       | VSS          | VDDA_1P8_SPLL_VIDEO2 |
| VDD_DRAM      | VDD_DRAM       | VSS                | VDD_SOC       | VDD_SOC      | VSSA_SPLL_VIDEO2     |
| VDD_DRAM      | VDD_DRAM       | VSS                | VDD_SOC       | VDD_SOC      | VDD_SOC              |
| VDD_DRAM      | VDD_DRAM       | VSSA_SPLL_DRAM     | VDD_SOC       | VSS          | VSS                  |
| VDD_DRAM      | VSS            | VDDA_1P8_SPLL_DRAM | VDD_SOC       | VDD_SOC      | VSS                  |
| VSS           | VSSA_FPLL      | VDDA_1P8_TSENSOR   | VDD_SOC       | VDD_SOC      | VSS                  |
| VSSA_SPLL     | VDDA_1P8_FPLL  | VDD_SOC            | EFUSE_VQPS    | VSS          | VSS                  |
| VDDA_0P9      | VSS            | NVCC_ENET          | VDD_SNVS      | VSS          | VSS                  |
| ENET_RD3      | ENET_RD0       | ENET_TXC           | ENET_TD2      | ENET_TX_CTL  | ENET_MDIO            |
| PMIC_ON_REQ   | ENET_RD2       | ENET_RXC           | ENET_TD0      | ENET_TD3     | ENET_MDC             |
| PMIC_STBY_REQ | ENET_RD1       | ENET_RX_CTL        | ENET_TD1      | SD2_DATA3    | SD2_DATA1            |
| RTC           | CLK2_N         | CLK2_P             | SD2_RESET_B   | SD2_DATA2    | SD2_DATA0            |
| VSSA_XTAL_25M | VDDA_1P8_LVDS  | CLK1_N             | CLK1_P        | VSS          | NVCC_SD2             |
| XTALO_27M     | XTALI_25M      | SD1_STROBE         | SD1_RESET_B   | SD1_DATA5    | SD1_DATA4            |
| XTALI_27M     | XTALI_25M      | SD1_DATA7          | SD1_DATA6     | SD1_DATA3    | SD1_DATA2            |



Table 86. 17 x 17 mm, 0.65 mm pitch ball map (continued)

| AE        | AD        | AC           | AB           | AA        | Y         | W                 |
|-----------|-----------|--------------|--------------|-----------|-----------|-------------------|
|           | VSS       | DRAM_DQS2_N  | DRAM_DQ23    | DRAM_DQ22 | DRAM_DQ21 | VSS               |
| VSS       | DRAM_DQ17 | DRAM_DQS2_P  | VSS          | DRAM_DQ20 | VSS       | HDMI_HPD          |
| DRAM_DQ16 | DRAM_DM2  | NVCC_DRAM    | NVCC_DRAM    | DRAM_DQ26 | VSS       | HDMI_CEC          |
| DRAM_DQ18 | DRAM_DQ19 | VSS          | DRAM_DQ24    | DRAM_DQ25 | VSS       | NVCC_JTAG         |
| VSS       | NVCC_DRAM | DRAM_DQS3_N  | DRAM_DQS3_P  | VSS       | VSS       | JTAG_TDI          |
| DRAM_AC30 | DRAM_AC31 | NVCC_DRAM    | DRAM_DM3     | DRAM_DQ27 | VDD_DRAM  | BOOT_MODE0        |
| DRAM_AC29 | VSS       | DRAM_AC28    | DRAM_DQ29    | DRAM_DQ30 | VSS       | VSS               |
| DRAM_AC32 | DRAM_AC22 | NVCC_DRAM    | NVCC_DRAM    | DRAM_DQ28 | VDD_DRAM  | VSS               |
| DRAM_AC33 | VSS       | DRAM_AC23    | VSS          | DRAM_DQ31 | VSS       | VSS               |
| DRAM_AC21 | DRAM_AC20 | DRAM_AC34    | DRAM_AC35    | NVCC_DRAM | VDD_DRAM  | VSS               |
| DRAM_AC37 | VSS       | DRAM_AC38    | VSS          | VDDA_DRAM | VSS       | VSS               |
| DRAM_AC25 | DRAM_AC24 | DRAM_AC36    | DRAM_AC26    | DRAM_AC27 | NVCC_DRAM | VSS               |
| DRAM_AC06 | VSS       | DRAM_ALERT_N | DRAM_RESET_N | DRAM_ZN   | VSS       | VSS               |
| DRAM_AC05 | DRAM_AC04 | NVCC_DRAM    | DRAM_AC19    | DRAM_VREF | NVCC_DRAM | VSS               |
| DRAM_AC16 | DRAM_AC17 | DRAM_AC15    | DRAM_AC07    | NVCC_DRAM | VSS       | VSS               |
| DRAM_AC09 | VSS       | DRAM_AC00    | DRAM_AC14    | VSS       | VDD_DRAM  | VSS               |
| DRAM_AC01 | DRAM_AC08 | NVCC_DRAM    | NVCC_DRAM    | DRAM_DQ15 | VSS       | VDDA_1P8_SPLL     |
| DRAM_AC02 | NVCC_DRAM | DRAM_AC03    | VSS          | DRAM_DQ12 | VDD_DRAM  | NVCC_SNVS         |
| DRAM_AC13 | DRAM_AC12 | VSS          | DRAM_DQ13    | DRAM_DQ14 | VSS       | RTC_RESET_B       |
| DRAM_AC11 | DRAM_AC10 | NVCC_DRAM    | DRAM_DM1     | DRAM_DQ11 | VDD_DRAM  | POR_B             |
| VSS       | NVCC_DRAM | DRAM_DQS1_N  | DRAM_DQS1_P  | VSS       | VSS       | ONOFF             |
| DRAM_DQ02 | DRAM_DQ03 | VSS          | DRAM_DQ08    | DRAM_DQ09 | VSS       | VSSA_XTAL_27M     |
| DRAM_DQ00 | DRAM_DM0  | NVCC_DRAM    | NVCC_DRAM    | DRAM_DQ10 | VSS       | VDDA_1P8_XTAL_27M |
| VSS       | DRAM_DQ01 | DRAM_DQS0_P  | VSS          | DRAM_DQ04 | VSS       | VDDA_1P8_XTAL_25M |
|           | VSS       | DRAM_DQS0_N  | DRAM_DQ07    | DRAM_DQ06 | DRAM_DQ05 | VSS               |

## 5.2 DDR pin function list for 17 x 17 mm package

Table 87 shows the DDR pin function list for 17 x 17 mm package.

**Table 87. DDR pin function list for 17 x 17 mm package**

| Die level pin name | LPDDR4   | DDR4               | DDR3L   | BALL |
|--------------------|----------|--------------------|---------|------|
| DRAM_DQS0_P        | DQS0_t_A | DQSL_t_A           | DQSL_A  | AC24 |
| DRAM_DQS0_N        | DQS0_c_A | DQSL_c_A           | DQSL#_A | AC25 |
| DRAM_DM0           | DMI0_A   | DML_n_A / DBIL_n_A | DML_A   | AD23 |
| DRAM_DQ00          | DQ0_A    | DQL0_A             | DQL0_A  | AE23 |
| DRAM_DQ01          | DQ1_A    | DQL1_A             | DQL1_A  | AD24 |
| DRAM_DQ02          | DQ2_A    | DQL2_A             | DQL2_A  | AE22 |
| DRAM_DQ03          | DQ3_A    | DQL3_A             | DQL3_A  | AD22 |
| DRAM_DQ04          | DQ4_A    | DQL4_A             | DQL4_A  | AA24 |
| DRAM_DQ05          | DQ5_A    | DQL5_A             | DQL5_A  | Y25  |
| DRAM_DQ06          | DQ6_A    | DQL6_A             | DQL6_A  | AA25 |
| DRAM_DQ07          | DQ7_A    | DQL7_A             | DQL7_A  | AB25 |
| DRAM_DQS1_P        | DQS1_t_A | DQSU_t_A           | DQSU_A  | AB21 |
| DRAM_DQS1_N        | DQS1_c_A | DQSU_c_A           | DQSU#_A | AC21 |
| DRAM_DM1           | DMI1_A   | DMU_n_A / DBIU_n_A | DMU_A   | AB20 |
| DRAM_DQ08          | DQ08_A   | DQU0_A             | DQU0_A  | AB22 |
| DRAM_DQ09          | DQ09_A   | DQU1_A             | DQU1_A  | AA22 |
| DRAM_DQ10          | DQ10_A   | DQU2_A             | DQU2_A  | AA23 |
| DRAM_DQ11          | DQ11_A   | DQU3_A             | DQU3_A  | AA20 |
| DRAM_DQ12          | DQ12_A   | DQU4_A             | DQU4_A  | AA18 |
| DRAM_DQ13          | DQ13_A   | DQU5_A             | DQU5_A  | AB19 |
| DRAM_DQ14          | DQ14_A   | DQU6_A             | DQU6_A  | AA19 |
| DRAM_DQ15          | DQ15_A   | DQU7_A             | DQU7_A  | AA17 |
| DRAM_DQS2_P        | DQS0_t_B | DQSL_t_B           | DQSL_B  | AC2  |
| DRAM_DQS2_N        | DQS0_c_B | DQSL_c_B           | DQSL#_B | AC1  |
| DRAM_DM2           | DMI0_B   | DML_n_B / DBIL_n_B | DML_B   | AD3  |
| DRAM_DQ16          | DQ0_B    | DQL0_B             | DQL0_B  | AE3  |
| DRAM_DQ17          | DQ1_B    | DQL1_B             | DQL1_B  | AD2  |
| DRAM_DQ18          | DQ2_B    | DQL2_B             | DQL2_B  | AE4  |
| DRAM_DQ19          | DQ3_B    | DQL3_B             | DQL3_B  | AD4  |
| DRAM_DQ20          | DQ4_B    | DQL4_B             | DQL4_B  | AA2  |
| DRAM_DQ20          | DQ4_B    | DQL4_B             | DQL4_B  | AA2  |

Table 87. DDR pin function list for 17 x 17 mm package (continued)

|              |          |                    |           |      |
|--------------|----------|--------------------|-----------|------|
| DRAM_DQ21    | DQ5_B    | DQL5_B             | DQL5_B    | Y1   |
| DRAM_DQ22    | DQ6_B    | DQL6_B             | DQL6_B    | AA1  |
| DRAM_DQ23    | DQ7_B    | DQL7_B             | DQL7_B    | AB1  |
| DRAM_DQS3_P  | DQS1_t_B | DQSU_t_B           | DQSU_B    | AB5  |
| DRAM_DQS3_N  | DQS1_c_B | DQSU_c_B           | DQSU#_B   | AC5  |
| DRAM_DM3     | DMI1_B   | DMU_n_B / DBIU_n_B | DMU_B     | AB6  |
| DRAM_DQ24    | DQ08_B   | DQU0_B             | DQU0_B    | AB4  |
| DRAM_DQ25    | DQ09_B   | DQU1_B             | DQU1_B    | AA4  |
| DRAM_DQ26    | DQ10_B   | DQU2_B             | DQU2_B    | AA3  |
| DRAM_DQ27    | DQ11_B   | DQU3_B             | DQU3_B    | AA6  |
| DRAM_DQ28    | DQ12_B   | DQU4_B             | DQU4_B    | AA8  |
| DRAM_DQ29    | DQ13_B   | DQU5_B             | DQU5_B    | AB7  |
| DRAM_DQ30    | DQ14_B   | DQU6_B             | DQU6_B    | AA7  |
| DRAM_DQ31    | DQ15_B   | DQU7_B             | DQU7_B    | AA9  |
| DRAM_RESET_N | RESET_N  | RESET_N            | RESET#    | AB13 |
| DRAM_ALERT_N | MTEST1   | ALERT_n / MTEST1   | MTEST1    | AC13 |
| DRAM_AC00    | CKE0_A   | CKE0               | CKE0      | AC16 |
| DRAM_AC01    | CKE1_A   | CKE1               | CKE1      | AE17 |
| DRAM_AC02    | CS0_A    | CS0_n              | CS0#      | AE18 |
| DRAM_AC03    | CS1_A    | C0                 | —         | AC18 |
| DRAM_AC04    | CK_t_A   | BG0                | BA2       | AD14 |
| DRAM_AC05    | CK_c_A   | BG1                | A14       | AE14 |
| DRAM_AC06    | —        | ACT_n              | A15       | AE13 |
| DRAM_AC07    | —        | A9                 | A9        | AB15 |
| DRAM_AC08    | CA0_A    | A12                | A12 / BC# | AD17 |
| DRAM_AC09    | CA1_A    | A11                | A11       | AE16 |
| DRAM_AC10    | CA2_A    | A7                 | A7        | AD20 |
| DRAM_AC11    | CA3_A    | A8                 | A8        | AE20 |
| DRAM_AC12    | CA4_A    | A6                 | A6        | AD19 |
| DRAM_AC13    | CA5_A    | A5                 | A5        | AE19 |
| DRAM_AC14    | —        | A4                 | A4        | AB16 |
| DRAM_AC15    | —        | A3                 | A3        | AC15 |
| DRAM_AC16    | —        | CK_t_A             | CK_A      | AE15 |
| DRAM_AC17    | —        | CK_c_A             | CK#_A     | AD15 |

Table 87. DDR pin function list for 17 x 17 mm package (continued)

|           |        |             |          |      |
|-----------|--------|-------------|----------|------|
| DRAM_AC19 | MTEST  | MTEST       | MTEST    | AB14 |
| DRAM_AC20 | CKE0_B | CK_t_B      | CK_B     | AD10 |
| DRAM_AC21 | CKE1_B | CK_c_B      | CK#_B    | AE10 |
| DRAM_AC22 | CS1_B  | —           | —        | AD8  |
| DRAM_AC23 | CS0_B  | —           | —        | AC9  |
| DRAM_AC24 | CK_t_B | A2          | A2       | AD12 |
| DRAM_AC25 | CK_c_B | A1          | A1       | AE12 |
| DRAM_AC26 | —      | BA1         | BA1      | AB12 |
| DRAM_AC27 | —      | PARITY      | —        | AA12 |
| DRAM_AC28 | CA2_B  | A13         | A13      | AC7  |
| DRAM_AC29 | CA3_B  | BA0         | BA0      | AE7  |
| DRAM_AC30 | CA4_B  | A10 / AP    | A10 / AP | AE6  |
| DRAM_AC31 | CA5_B  | A0          | A0       | AD6  |
| DRAM_AC32 | CA0_B  | C2          | —        | AE8  |
| DRAM_AC33 | CA1_B  | CAS_n / A15 | CAS#     | AE9  |
| DRAM_AC34 | —      | WE_n / A14  | WE#      | AC10 |
| DRAM_AC35 | —      | RAS_n / A16 | RAS#     | AB10 |
| DRAM_AC36 | —      | ODT0        | ODT0     | AC12 |
| DRAM_AC37 | —      | ODT1        | ODT1     | AE11 |
| DRAM_AC38 | —      | CS1_n       | CS1#     | AC11 |
| DRAM_ZN   | ZQ     | ZQ          | ZQ       | AA13 |
| DRAM_VREF | VREF   | VREF        | VREF     | AA14 |

## 6 Revision history

Table 88 provides a revision history for this data sheet.

**Table 88. Revision history**

| Rev. number | Date    | Substantive change(s)   |
|-------------|---------|---|
| Rev. 3      | 04/2021 | <ul style="list-style-type: none"> <li>Updated the Fusing option in the Figure 2, "Part number nomenclature—i.MX 8M Dual / 8M QuadLite / 8M Quad processors"</li> <li>Updated the descriptions of SJC in the Table 3, "i.MX 8M Dual / 8M QuadLite / 8M Quad modules list"</li> <li>Updated the descriptions of PCIE_VPH in the Table 8, "Operating ranges"</li> </ul>   |
| Rev. 2      | 10/2020 | <ul style="list-style-type: none"> <li>Removed four part numbers in the Table 2, "Orderable part numbers"; added part differentiator, a new part number, and a footnote in the Table 2, "Orderable part numbers"</li> <li>Updated the Part differentiator and Fusing option in the Figure 2, "Part number nomenclature—i.MX 8M Dual / 8M QuadLite / 8M Quad processors"</li> <li>Updated the minimum values and removed ESD parameters from Table 5, "Absolute maximum ratings"</li> <li>Added the Table 6, "Electrostatic discharge and latch up ratings"</li> <li>Added a new Section 3.1.3, Power architecture</li> <li>Added a footnote and updated the comment of temperature sensor accuracy in the Table 8, "Operating ranges"</li> <li>Updated the maximum value of <math>V_{IH}</math> in the Table 57, "MIPI low power receiver DC specifications"</li> <li>Removed the Section, USB battery charger detection drive impedance</li> <li>Removed the Section, USB_OTG_CHD_B USB battery charger detection external pullup resistor connection</li> </ul> |
| Rev. 1.1    | 05/2019 | <ul style="list-style-type: none"> <li>Updated the package type information in the Figure 2, "Part number nomenclature—i.MX 8M Dual / 8M QuadLite / 8M Quad processors"</li> <li>Updated eCSPI description in the Table 3, "i.MX 8M Dual / 8M QuadLite / 8M Quad modules list"</li> <li>Added the core voltage, analog domain voltage, PLL 1.8 V voltage, 25 MHz crystal voltage, 27 MHz crystal voltage, DDR I/O voltage, HDMI voltage, MIPI voltage, PCIe voltage, temperature sensor voltage, and fuse power in the Table 5, "Absolute maximum ratings"</li> <li>Updated the Table 7, "Thermal resistance data"</li> <li>Updated the RUN mode unit in the Table 11, "Chip power in different LP mode"</li> </ul>   |
| Rev. 1      | 10/2018 | <ul style="list-style-type: none"> <li>Updated the Table 2, "Orderable part numbers"</li> <li>Updated the Figure 2, "Part number nomenclature—i.MX 8M Dual / 8M QuadLite / 8M Quad processors"</li> </ul>   |
| Rev. 0.2    | 08/2018 | <ul style="list-style-type: none"> <li>Updated the Table 8, "Operating ranges"</li> <li>Updated the Section 3.1.5, External clock sources</li> <li>Updated the Section 3.1.6, Maximum supply currents</li> <li>Updated the Section 3.2.1, Power-up sequence</li> <li>Updated the Figure 6, "Differential LVDS driver transition time waveform"</li> <li>Updated the Section 3.9.3.1, RMI mode timing</li> <li>Updated the Section 5.1.2, 17 x 17 mm supplies contact assignments and functional contact assignments</li> <li>Fixed a typo in the Table 86, "17 x 17 mm, 0.65 mm pitch ball map"</li> </ul>  |

## Revision history

**Table 88. Revision history (continued)**

| Rev. number | Date    | Substantive change(s)  |
|-------------|---------|--|
| Rev. 0.1    | 05/2018 | <ul style="list-style-type: none"> <li>• Added a note in the Table 2, "Orderable part numbers"</li> <li>• Updated the Table 3, "i.MX 8M Dual / 8M QuadLite / 8M Quad modules list"</li> <li>• Updated the Table 8, "Operating ranges"</li> <li>• Updated the Table 10, "Maximum supply currents"</li> <li>• Updated the Table 11, "Chip power in different LP mode"</li> <li>• Added the Table 12, "The power supply states"</li> <li>• Updated the PCIe parameters in the Table 16, "PCIe recommended operating conditions"</li> <li>• Updated and added a leakage limit note in the Table 27, "GPIO DC parameters"</li> <li>• Added a leakage limit note in the Table 30, "Input DC current"</li> <li>• Updated the timing parameters in the Table 39, "ECSPI Master mode timing parameters" and Table 40, "ECSPI Slave mode timing parameters"</li> <li>• Updated the Section 3.9.8.1, PCIEx_RESREF reference resistor connection</li> <li>• Updated the Table 60, "MIPI input characteristics DC specifications"</li> <li>• Removed the SPI interfaces from the Table 83, "Interface allocation during boot"</li> <li>• Updated the PCIe and MIPI power group in the Table 85, "i.MX 8M Dual / 8M QuadLite / 8M Quad 17 x 17 mm functional contact assignments"</li> <li>• Updated the Table 86, "17 x 17 mm, 0.65 mm pitch ball map"</li> </ul> |
| Rev. 0      | 01/2018 | <ul style="list-style-type: none"> <li>• Initial version</li> </ul>  |

## How To Reach Us

### Home Page:

[nxp.com](http://nxp.com)

### Web Support:

[nxp.com/support](http://nxp.com/support)

**Limited warranty and liability** — Information in this document is believed to be accurate and reliable. However, NXP Semiconductors does not give any representations or warranties, expressed or implied, as to the accuracy or completeness of such information and shall have no liability for the consequences of use of such information. NXP Semiconductors takes no responsibility for the content in this document if provided by an information source outside of NXP Semiconductors. In no event shall NXP Semiconductors be liable for any indirect, incidental, punitive, special or consequential damages (including - without limitation - lost profits, lost savings, business interruption, costs related to the removal or replacement of any products or rework charges) whether or not such damages are based on tort (including negligence), warranty, breach of contract or any other legal theory.

Notwithstanding any damages that customer might incur for any reason whatsoever, NXP Semiconductors' aggregate and cumulative liability towards customer for the products described herein shall be limited in accordance with the Terms and conditions of commercial sale of NXP Semiconductors.

**Right to make changes** - NXP Semiconductors reserves the right to make changes to information published in this document, including without limitation specifications and product descriptions, at any time and without notice. This document supersedes and replaces all information supplied prior to the publication hereof.

**Security** — Customer understands that all NXP products may be subject to unidentified or documented vulnerabilities. Customer is responsible for the design and operation of its applications and products throughout their lifecycles to reduce the effect of these vulnerabilities on customer's applications and products. Customer's responsibility also extends to other open and/or proprietary technologies supported by NXP products for use in customer's applications. NXP accepts no liability for any vulnerability. Customer should regularly check security updates from NXP and follow up appropriately.

Customer shall select products with security features that best meet rules, regulations, and standards of the intended application and make the ultimate design decisions regarding its products and is solely responsible for compliance with all legal, regulatory, and security related requirements concerning its products, regardless of any information or support that may be provided by NXP. NXP has a Product Security Incident Response Team (PSIRT) (reachable at [PSIRT@nxp.com](mailto:PSIRT@nxp.com)) that manages the investigation, reporting, and solution release to security vulnerabilities of NXP products.

**Suitability for use in automotive applications** — This NXP Semiconductors product has been qualified for use in automotive applications. Unless otherwise agreed in writing, the product is not designed, authorized or warranted to be suitable for use in life support, life-critical or safety-critical systems or equipment, nor in applications where failure or malfunction of an NXP Semiconductors product can reasonably be expected to result in personal injury, death or severe property or environmental damage. NXP Semiconductors and its suppliers accept no liability for inclusion and/or use of NXP Semiconductors products in such equipment or applications and therefore such inclusion and/or use is at the customer's own risk.

**Non-automotive qualified products** — Unless this data sheet expressly states that this specific NXP Semiconductors product is automotive qualified, the product is not suitable for automotive use. It is neither qualified nor tested in accordance with automotive testing or application requirements. NXP Semiconductors accepts no liability for inclusion and/or use of non-automotive qualified products in automotive equipment or applications.

In the event that customer uses the product for design-in and use in automotive applications to automotive specifications and standards, customer (a) shall use the product without NXP Semiconductors' warranty of the product for such automotive applications, use and specifications, and (b) whenever customer uses the product for automotive applications beyond NXP Semiconductors' specifications such use shall be solely at customer's own risk, and (c) customer fully indemnifies NXP Semiconductors for any liability, damages or failed product claims resulting from customer design and use of the product for automotive applications beyond NXP Semiconductors' standard warranty and NXP Semiconductors' product specifications.

**Suitability for use – Automotive Product (Functional Safety) Suitability for use in automotive applications** —This NXP product has been qualified for use in automotive applications. It has been developed in accordance with ISO 26262, and has been ASIL-classified accordingly. If this product is used by customer in the development of, or for incorporation into, products or services (a) used in safety critical applications or (b) in which failure could lead to death, personal injury, or severe physical or environmental damage (such products and services hereinafter referred to as "Critical

*Table continues on the next page...*

Applications”), then customer makes the ultimate design decisions regarding its products and is solely responsible for compliance with all legal, regulatory, safety, and security related requirements concerning its products, regardless of any information or support that may be provided by NXP. As such, customer assumes all risk related to use of any products in Critical Applications and NXP and its suppliers shall not be liable for any such use by customer. Accordingly, customer will indemnify and hold NXP harmless from any claims, liabilities, damages and associated costs and expenses (including attorneys’ fees) that NXP may incur related to customer’s incorporation of any product in a Critical Application.

**Non-automotive products for restricted use in automotive only****Suitability for use in automotive applications** — The use of this NXP Semiconductors product is restricted to automotive applications only. It has not been fully qualified for use in automotive applications. The customer of this NXP Semiconductors product therefore understands and accepts that:

- The Customer shall only use this NXP Semiconductors product for automotive applications.
- This product was not originally designed for automotive use. It will therefore, not be possible to achieve the levels of quality and failure analysis that are normally associated with products explicitly designed for automotive use.
- With respect to test-coverage, this product is not fully compliant to AEC-Q100.
- All product manufacturing locations are certified according to ISO/TS16949.
- Unless otherwise agreed in writing, the product is not designed, authorized or warranted to be suitable for use in life support, life-critical or safety-critical systems or equipment, nor in applications where failure or malfunction of an NXP Semiconductors product can reasonably be expected to result in personal injury, death or severe property or environmental damage. NXP Semiconductors and its suppliers accept no liability for inclusion and/or use of NXP Semiconductors products in such equipment or applications and therefore such inclusion and/or use is at the customer’s own risk.

**Applications** — Applications that are described herein for any of these products are for illustrative purposes only. NXP Semiconductors makes no representation or warranty that such applications will be suitable for the specified use without further testing or modification.

Customers are responsible for the design and operation of their applications and products using NXP Semiconductors products, and NXP Semiconductors accepts no liability for any assistance with applications or customer product design. It is customer’s sole responsibility to determine whether the NXP Semiconductors product is suitable and fit for the customer’s applications and products planned, as well as for the planned application and use of customer’s third party customer(s). Customers should provide appropriate design and operating safeguards to minimize the risks associated with their applications and products.

NXP Semiconductors does not accept any liability related to any default, damage, costs or problem which is based on any weakness or default in the customer’s applications or products, or the application or use by customer’s third party customer(s). Customer is responsible for doing all necessary testing for the customer’s applications and products using NXP Semiconductors products in order to avoid a default of the applications and the products or of the application or use by customer’s third party customer(s). NXP does not accept any liability in this respect.

**Limiting values** — Stress above one or more limiting values (as defined in the Absolute Maximum Ratings System of IEC 60134) will cause permanent damage to the device. Limiting values are stress ratings only and (proper) operation of the device at these or any other conditions above those given in the Recommended operating conditions section (if present) or the Characteristics sections of this document is not warranted. Constant or repeated exposure to limiting values will permanently and irreversibly affect the quality and reliability of the device.

**Terms and conditions of commercial sale** — NXP Semiconductors products are sold subject to the general terms and conditions of commercial sale, as published at <http://www.nxp.com/profile/terms>, unless otherwise agreed in a valid written individual agreement. In case an individual agreement is concluded only the terms and conditions of the respective agreement shall apply. NXP Semiconductors hereby expressly objects to applying the customer’s general terms and conditions with regard to the purchase of NXP Semiconductors products by customer.

*Table continues on the next page...*



**No offer to sell or license** — Nothing in this document may be interpreted or construed as an offer to sell products that is open for acceptance or the grant, conveyance or implication of any license under any copyrights, patents or other industrial or intellectual property rights.

**Hazardous voltage** — Although basic supply voltages of the product may be much lower, circuit voltages up to 60 V may appear when operating this product, depending on settings and application. Customers incorporating or otherwise using these products in applications where such high voltages may appear during operation, assembly, test etc. of such application, do so at their own risk. Customers agree to fully indemnify NXP Semiconductors for any damages resulting from or in connection with such high voltages. Furthermore, customers are drawn to safety standards (IEC 950, EN 60 950, CENELEC, ISO, etc.) and other (legal) requirements applying to such high voltages.

**Bare die** — All die are tested on compliance with their related technical specifications as stated in this data sheet up to the point of wafer sawing and are handled in accordance with the NXP Semiconductors storage and transportation conditions. If there are data sheet limits not guaranteed, these will be separately indicated in the data sheet. There are no post-packing tests performed on individual die or wafers.

NXP Semiconductors has no control of third party procedures in the sawing, handling, packing or assembly of the die. Accordingly, NXP Semiconductors assumes no liability for device functionality or performance of the die or systems after third party sawing, handling, packing or assembly of the die. It is the responsibility of the customer to test and qualify their application in which the die is used. All die sales are conditioned upon and subject to the customer entering into a written die sale agreement with NXP Semiconductors through its legal department.

**Quick reference data** — The Quick reference data is an extract of the product data given in the Limiting values and Characteristics sections of this document, and as such is not complete, exhaustive or legally binding.

**Export control** — This document as well as the item(s) described herein may be subject to export control regulations. Export might require a prior authorization from competent authorities.

**Evaluation products** — This product is provided on an “as is” and “with all faults” basis for evaluation purposes only. NXP Semiconductors, its affiliates and their suppliers expressly disclaim all warranties, whether express, implied or statutory, including but not limited to the implied warranties of non-infringement, merchantability and fitness for a particular purpose. The entire risk as to the quality, or arising out of the use or performance, of this product remains with customer. In no event shall NXP Semiconductors, its affiliates or their suppliers be liable to customer for any special, indirect, consequential, punitive or incidental damages (including without limitation damages for loss of business, business interruption, loss of use, loss of data or information, and the like) arising out of the use of or inability to use the product, whether or not based on tort (including negligence), strict liability, breach of contract, breach of warranty or any other theory, even if advised of the possibility of such damages.

Notwithstanding any damages that customer might incur for any reason whatsoever (including without limitation, all damages referenced above and all direct or general damages), the entire liability of NXP Semiconductors, its affiliates and their suppliers and customer’s exclusive remedy for all of the foregoing shall be limited to actual damages incurred by customer based on reasonable reliance up to the greater of the amount actually paid by customer for the product or five dollars (US\$5.00). The foregoing limitations, exclusions and disclaimers shall apply to the maximum extent permitted by applicable law, even if any remedy fails of its essential purpose.

**Translations** — A non-English (translated) version of a document is for reference only. The English version shall prevail in case of any discrepancy between the translated and English versions.

NXP, the NXP logo, NXP SECURE CONNECTIONS FOR A SMARTER WORLD, COOLFLUX, EMBRACE, GREENCHIP, HITAG, ICODE, JCOP, LIFE, VIBES, MIFARE, MIFARE CLASSIC, MIFARE DESFire, MIFARE PLUS, MIFARE FLEX, MANTIS, MIFARE ULTRALIGHT, MIFARE4MOBILE, MIGLO, NTAG, ROADLINK, SMARTLX, SMARTMX, STARPLUG, TOPFET, TRENCHMOS, UCODE, Freescale, the Freescale logo, CodeWarrior, ColdFire, ColdFire+, the Energy Efficient Solutions logo, Kinetis, Layerscape, mobileGT, PEG, PowerQUICC, Processor Expert, QorIQ, QorIQ Qonverge, SafeAssure, the SafeAssure logo, StarCore, Symphony, VortiQa, Vybrid, Airfast, BeeKit, BeeStack, CoreNet, Flexis, MXC, Platform in a Package, QUICC Engine, Tower, TurboLink, EdgeScale, EdgeLock, eIQ, and Immersive3D are trademarks of NXP B.V. All other product or service names are the property of their respective owners. AMBA, Arm, Arm7, Arm7TDMI, Arm9, Arm11, Artisan, big.LITTLE, Cordio, CoreLink, CoreSight,

*Table continues on the next page...*

Cortex, DesignStart, DynamIQ, Jazelle, Keil, Mali, Mbed, Mbed Enabled, NEON, POP, RealView, SecurCore, Socrates, Thumb, TrustZone, ULINK, ULINK2, ULINK-ME, ULINK-PLUS, ULINKpro,  $\mu$ Vision, Versatile are trademarks or registered trademarks of Arm Limited (or its subsidiaries) in the US and/or elsewhere. The related technology may be protected by any or all of patents, copyrights, designs and trade secrets. All rights reserved. Oracle and Java are registered trademarks of Oracle and/or its affiliates. M, M Mobileye and other Mobileye trademarks or logos appearing herein are trademarks of Mobileye Vision Technologies Ltd. in the United States, the EU and/or other jurisdictions.

© NXP B.V. 2018-2021.

All rights reserved.

For more information, please visit: <http://www.nxp.com>

For sales office addresses, please send an email to: [salesaddresses@nxp.com](mailto:salesaddresses@nxp.com)

Date of release: 13 April 2021

Document Identifier: IMX8MDQLQCEC

The logo for Arm, consisting of the lowercase letters 'arm' in a blue, sans-serif font.