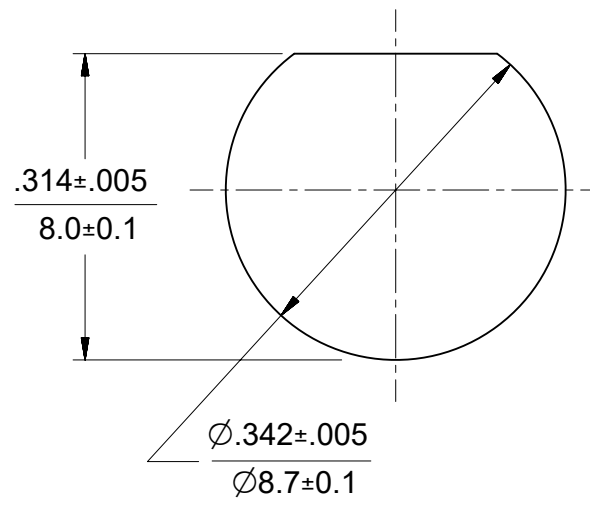
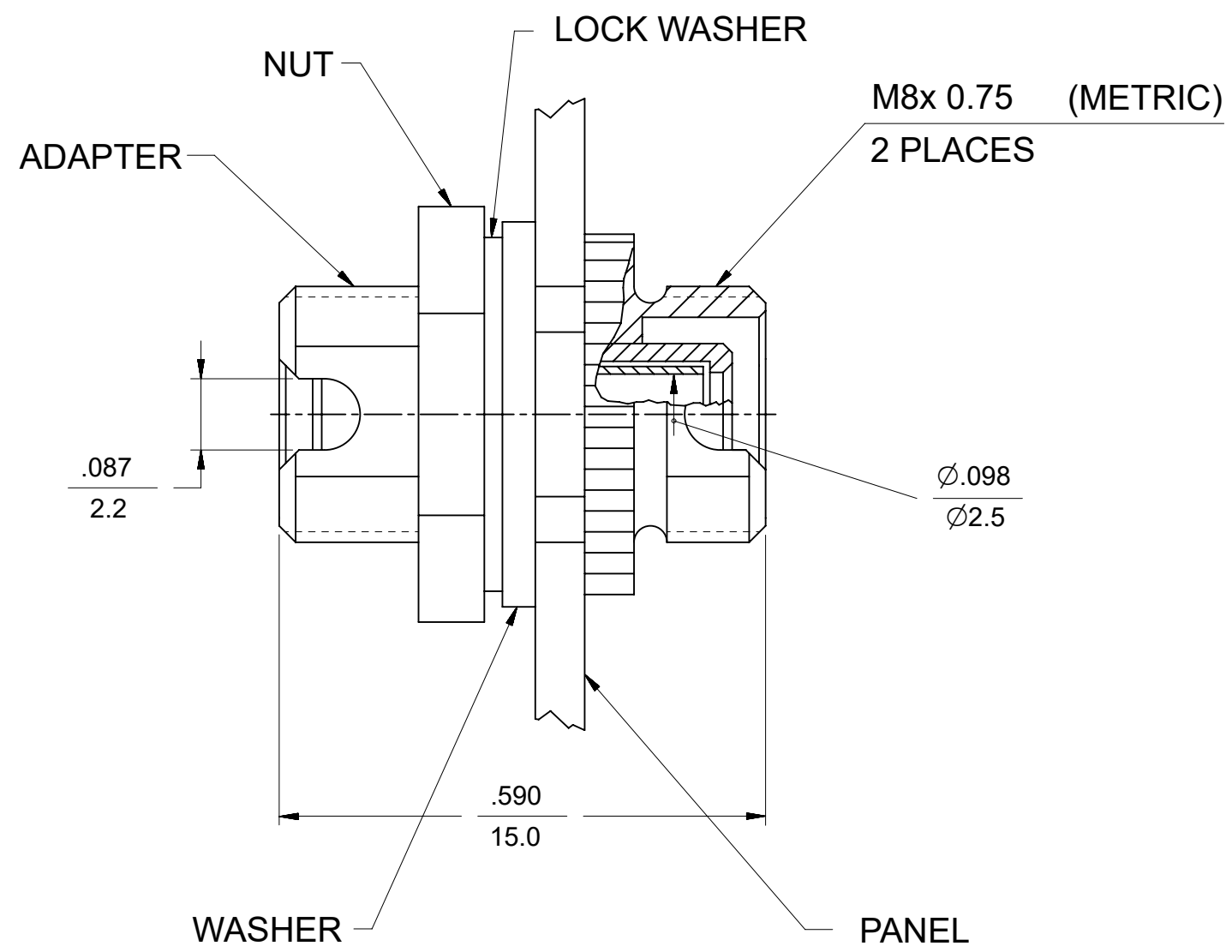
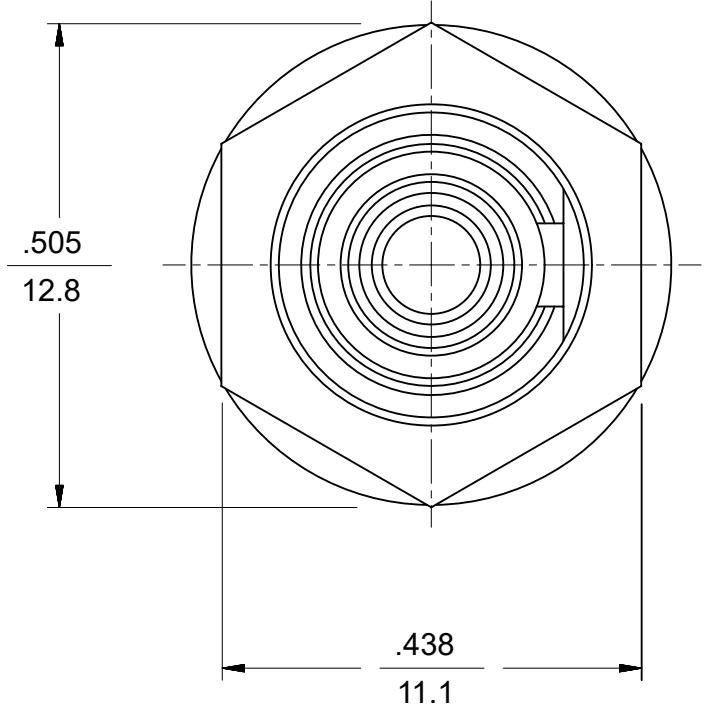


10	9
P/N OF ADAPTER	MATERIAL OF SLEEVE
106152-1000	CERAMIC
106156-1100*	



RECOMMENDED MOUNTING HOLE



PANEL THICKNESS

MIN.: .047/ 1.2
MAX.: .102/ 2.6

NOTES:

1. FOR THE USE OF WASHERS ACCORDING TO THE PANEL THICKNESS SEE FOLLOWING TABLE:

PANEL THICKNESS	USE WASHER
.047 TO .060 1.2 TO 1.5	BOTH WASHERS
.061 TO .085 1.55 TO 2.15	FLAT WASHER
.086 TO .102 2.2 TO 2.6	LOCK WASHER

2. DUST CAPS ARE NOT SHOWN, BUT INCLUDED.

\*3. P/N 106152-1100 IS BULK PACKED IN QUANTITIES OF 100 PCS.

THIS DRAWING CONTAINS INFORMATION THAT IS PROPRIETARY TO MOLEX ELECTRONIC TECHNOLOGIES, LLC AND SHOULD NOT BE USED WITHOUT WRITTEN PERMISSION											
FUNCTIONAL SYMBOLS	DIMENSION UNITS	SCALE	CURRENT REV DESC: OBSOLETE PART NUMBER AS PER PCN 508518								
$\frac{E}{A} = 0$	IN/MM	5:1	<p><b>molex</b></p> <p>FC ADAPTER (D-HOLE)</p> <p>PRODUCT CUSTOMER DRAWING</p>								
$\frac{E}{E} = 0$	GENERAL TOLERANCES (UNLESS SPECIFIED)										
$\frac{E}{P} = 0$	MM	INCH									
DIVISIONAL SYMBOLS	4 PLACES	±	±	EC NO: 652962	2021/01/13	<p>SD-10615X-1000</p> <p>PSD 001 C</p>					
	3 PLACES	±	±	DRWN: JHUANG18	2021/08/24						
	2 PLACES	±	±	CHK'D: WCHEN	2021/08/24						
	1 PLACE	±	±	APPR: WCHEN	2021/08/24	INITIAL REVISION:					
	0 PLACES	±	±			DRWN: RPACIFICI	2005/12/22	MATERIAL NUMBER		CUSTOMER	SHEET NUMBER
	ANGULAR TOL		± 0.5°	THIRD ANGLE PROJECTION		DRAWING	SERIES	SEE TABLE	GENERAL MARKET	1 OF 1	
DRAFT WHERE APPLICABLE MUST REMAIN WITHIN DIMENSIONS				B-SIZE		106152					