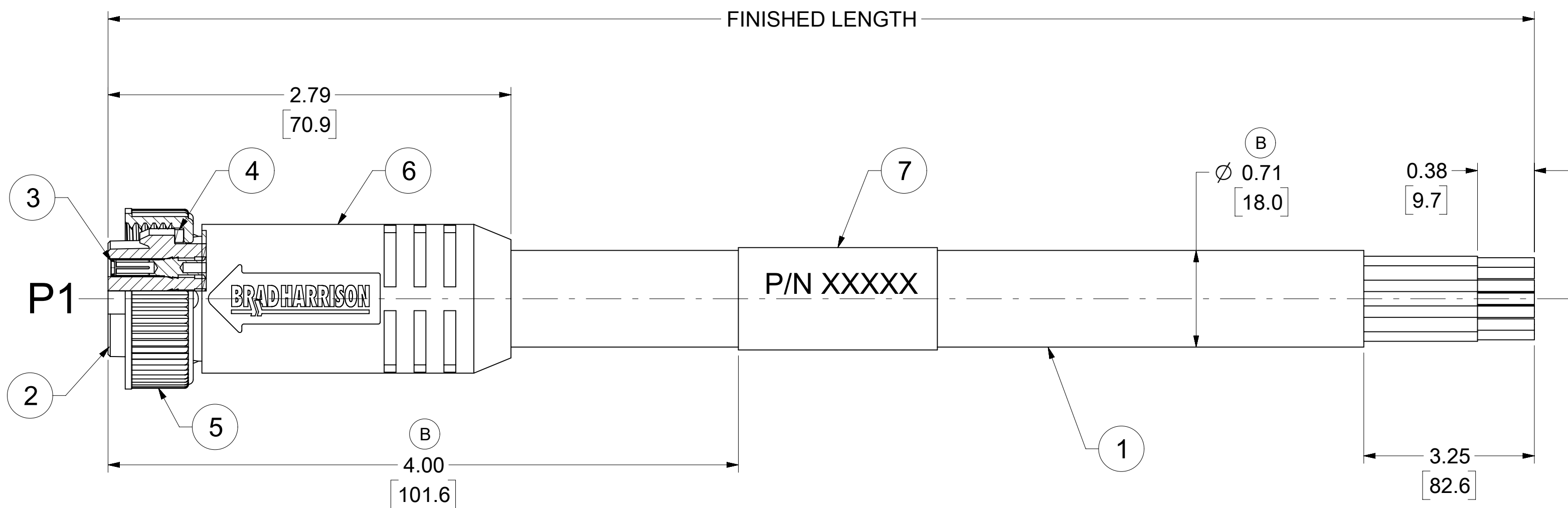
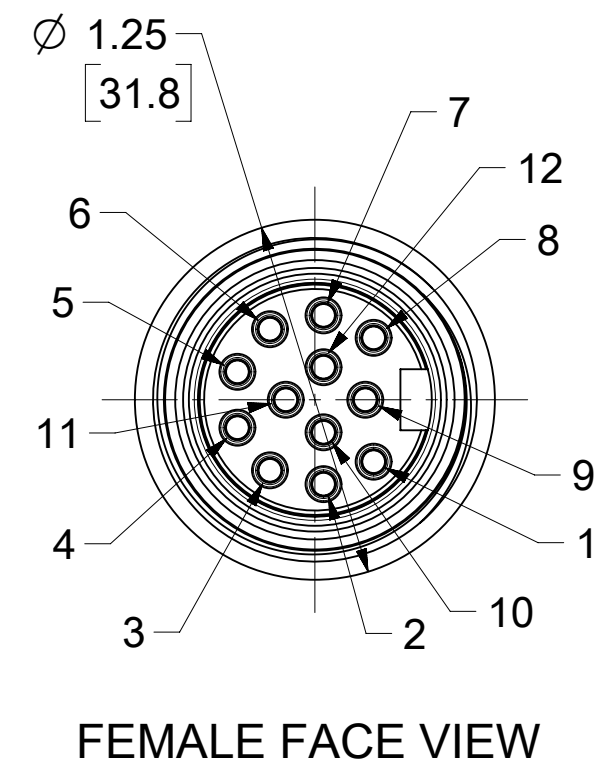
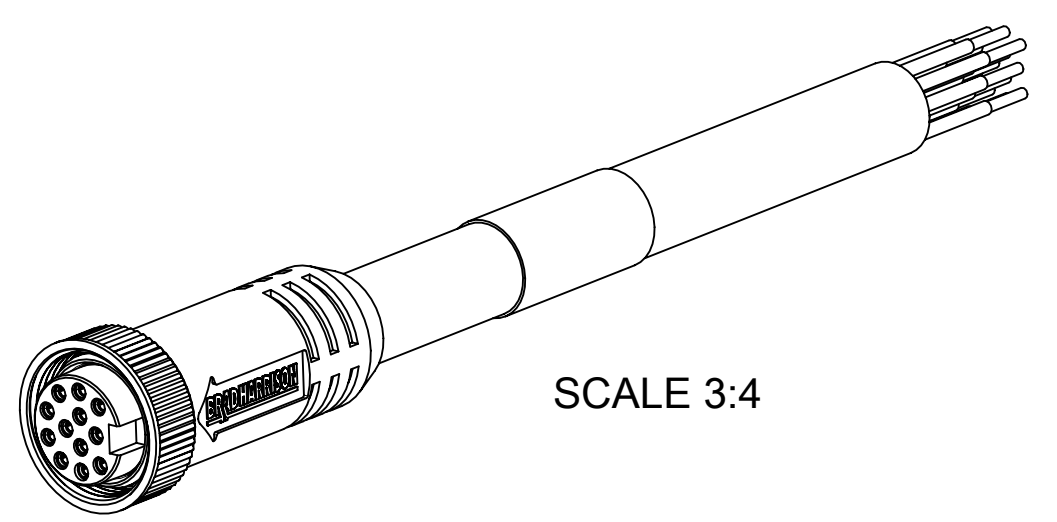


| MATERIAL NO. | ENGINEERING NO. | FINISHED LENGTH |
|--------------|-----------------|-----------------|
| 1300080154 | 302000A01F030 | 3 FT. (0.91 M) |
| 1300080165 | 302000A01F200 | 20 FT. (6.10 M) |
| 1300080188 | 302000A01M100 | 32.8 FT. (10 M) |

CABLE LENGTH TOLERANCES
 <.3M [1FT]: +19mm-0 [+.75in-0]
 .3 - .9M [1 - 3FT]: +44.5mm-0 [+1.75in-0]
 .9 - 1.8M [3 - 6FT]: +55.6mm-0 [+2.19in-0]
 1.8 - 3.7M [6 - 12FT]: +88.9mm-0 [+3.50in-0]
 3.7 - 7.3M [12 - 24FT]: +165.1mm-0 [+6.50in-0]
 7.3-14.6M [24 - 48FT]: +317.5mm-0 [+12.50in-0]
 14.6 - 30.5M [48-100FT]: +622.3mm-0 [+24.50in-0]
 OVER 30M [100FT] +2% OF FINISHED LENGTH



- NOTES:**
- MATERIAL: AS NOTED
 - FINISH: AS NOTED
 - ELECTRICAL:
 VOLTAGE: 320V PER IEC60664
 600V PER UL2238
 CURRENT: 5A
 - TEMP RATING: -20°C TO +105°C
 - PROTECTION: IP67 (WHEN MATED)
 - CSA CERTIFIED FILE: LR6837
 - UL RECOGNIZED FILE: E152210
 - COUPLING THREAD: 1 1/8"-16UN
 - ASSEMBLY IS ROHS COMPLIANT
 - ALL DIMS ARE FOR REFERENCE UNLESS TOLERANCED OR NOTED OTHERWISE

WIRING DIAGRAM

| P1 | Color |
|----|--------------------|
| 1 | ORANGE |
| 2 | BLUE |
| 3 | WHITE/BLACK TRACE |
| 4 | RED/BLACK TRACE |
| 5 | GREEN/BLACK TRACE |
| 6 | ORANGE/BLACK TRACE |
| 7 | BLUE/BLACK TRACE |
| 8 | BLACK/WHITE TRACE |
| 9 | GREEN/YELLOW GND |
| 10 | RED |
| 11 | WHITE |
| 12 | BLACK |

PART NUMBER MATRIX

302000A01F030

FINISHED LENGTH
 F001= .1 FT
 F020= 2 FT
 F200= 20 FT
 M005= 0.5 METER
 M010= 1 METER
 M100= 10 METER

| 7 | LABEL | VINYL | BLACK/YELLOW |
|------|-------------------------|---------------|------------------|
| 6 | OVERMOLD | TPE | YELLOW |
| 5 | COUPLING NUT | ZINC DIE CAST | BLACK E-COAT |
| 4 | FRICTION RING | NYLON | NATURAL |
| 3 | SOCKET CONTACT | Cu ALLOY | GOLD OVER NICKEL |
| 2 | INSERT, FEMALE, 12 POLE | TPE | YELLOW |
| 1 | #16-12 CABLE, STOOV/ST | PVC JACKET | YELLOW |
| ITEM | DESCRIPTION | MATERIAL | FINISH |

| | | | |
|---|---------|---|----------------|
| THIS DRAWING CONTAINS INFORMATION THAT IS PROPRIETARY TO MOLEX ELECTRONIC TECHNOLOGIES, LLC AND SHOULD NOT BE USED WITHOUT WRITTEN PERMISSION | | | |
| DIMENSION UNITS | SCALE | CURRENT REV DESC: UPDATED ITEM #2,6,7, LABEL DIM. AND MATERIAL P/N TABLE . ADDED CSA, UL, IEC VOLT, TEMP RATING, IP RATING, TOL. CHART, PART NUMBER MATRIX AND CABLE DIA. | |
| INCH/MM | 1.5:1 | | |
| GENERAL TOLERANCES (UNLESS SPECIFIED) | | | |
| | MM | INCH | |
| 4 PLACES | ± | ± | |
| 3 PLACES | ± | ± | |
| 2 PLACES | ± | ± 0.01 | |
| 1 PLACE | ± 0.3 | ± | |
| 0 PLACES | ± | ± | |
| ANGULAR TOL | ± 0.5 ° | | |
| DRAFT WHERE APPLICABLE MUST REMAIN WITHIN DIMENSIONS | | THIRD ANGLE PROJECTION | DRAWING SERIES |
| | | | C-SIZE 130008 |
| | | EC NO: 673727 | 2021/06/24 |
| | | DRWN: AKABADI | 2021/08/13 |
| | | CHK'D: RSTONE | 2021/08/27 |
| | | APPR: BWOODMAN | |
| | | INITIAL REVISION: | |
| | | DRWN: BRUPERT | 2009/08/24 |
| | | APPR: JFMURPHY | 2009/08/27 |
| | | DOCUMENT NUMBER | |
| | | SD-130008-014 | |
| | | DOC TYPE | DOC PART |
| | | PSD | 001 |
| | | SHEET NUMBER | |
| | | 1 OF 1 | |