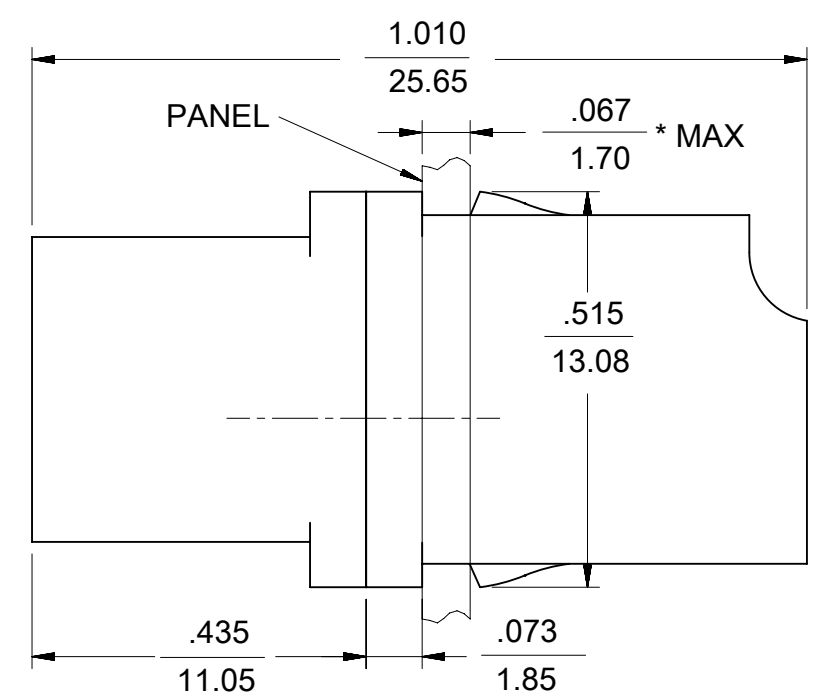
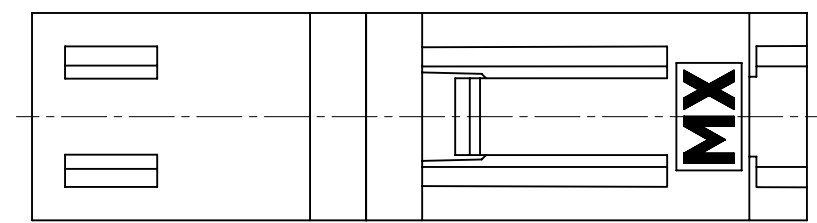
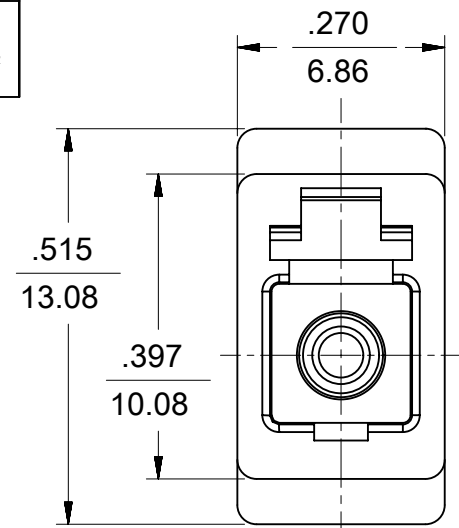
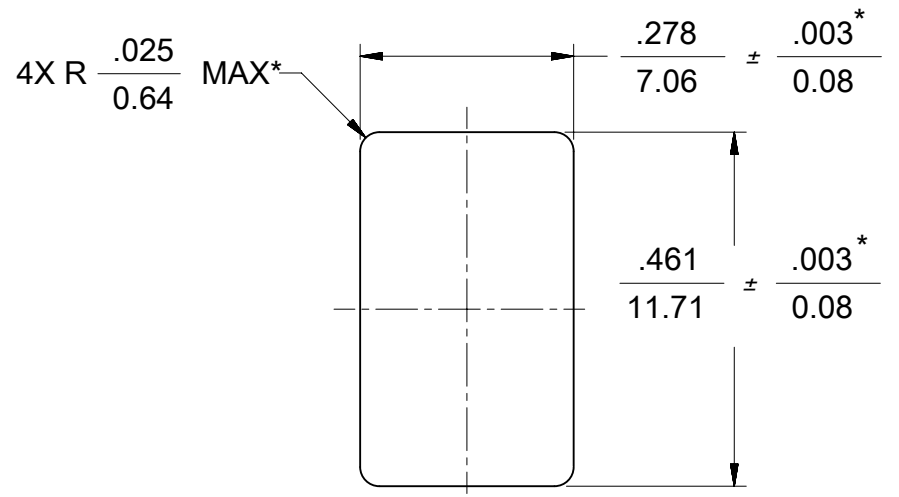
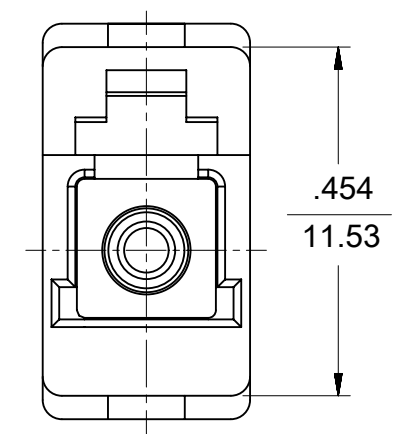


ADAPTER P/N	COLOR	SPLIT SLEEVE MATERIAL
106124-1000	BLUE	ZIRCONIA - ZrO ₂
106124-0010	BEIGE	Ph. Bronze
106124-1050	GREEN	ZIRCONIA - ZrO ₂
106124-0000	BLUE	Ph. Bronze
106124-1010	BEIGE	ZIRCONIA - ZrO ₂



(DUST CAPS ARE NOT SHOWN)



RECOMMENDED PANEL CUTOUT
 PANEL THICKNESS 0.067/1.70 MAX.

NOTES:
 1. ALL DIMENSIONS ARE FOR REFERENCE ONLY, EXCEPT WHEN MARKED WITH (*).

THIS DRAWING CONTAINS INFORMATION THAT IS PROPRIETARY TO MOLEX ELECTRONIC TECHNOLOGIES, LLC AND SHOULD NOT BE USED WITHOUT WRITTEN PERMISSION									
DIMENSION UNITS IN/MM		SCALE 4:1		CURRENT REV DESC:					
GENERAL TOLERANCES (UNLESS SPECIFIED)				molex LC ADAPTER, LOW PROFILE PRODUCT CUSTOMER DRAWING EC NO: 624787 DRWN: VLOKESHA 2019/05/17 CHK'D: GGA 2019/11/11 APPR: GGA 2019/11/11 INITIAL REVISION: DRWN: PGIPLIN 2005/10/03 APPR:					
	MM		INCH						
4 PLACES	±		±						
3 PLACES	±		±						
2 PLACES	±		±						
1 PLACE	±		±						
0 PLACES	±		±						
ANGULAR TOL ± 0.5°				DRAFT WHERE APPLICABLE MUST REMAIN WITHIN DIMENSIONS		THIRD ANGLE PROJECTION		DRAWING SERIES	
				B-SIZE		106124		MATERIAL NUMBER CUSTOMER SHEET NUMBER	
				SEE TABLE		GENERAL MARKET		SD-106124-0000 PSD 001 B1 1 OF 1	