



# 92x92x25 mm

San Ace 92W 9WP type

## General Specifications

- Material ..... Frame: Plastic (Flammability: UL 94V-0), Impeller: Plastic (Flammability: UL 94V-0)
- Expected life ..... See the table below. (L10 life: 90% survival rate for continuous operation in indoor free air at 60°C, rated voltage)  
Expected life at 40°C is for reference only.
- Motor protection function ..... Locked rotor burnout protection, Reverse polarity protection  
For details, please refer to p. 599.
- Dielectric strength ..... 50/60 Hz, 500 VAC, for 1 minute (between lead wire conductors and frame)
- Insulation resistance ..... 10 MΩ or more with a 500 VDC megger (between lead wire conductors and frame)
- Sound pressure level (SPL) ..... At 1 m away from the air inlet
- Storage temperature ..... -30 to +70°C (Non-condensing)
- Lead wire ..... ⊕Red ⊖Black or Blue  Sensor Yellow
- Mass ..... 120 g
- Ingress protection ..... IP68

## Specifications

The models listed below **have ribs and pulse sensors**. For models without ribs, append "1" to the end of model numbers.

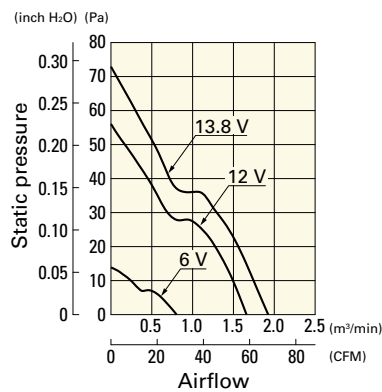
| Model no.   | Rated voltage [V] | Operating voltage range [V] | Rated current [A] | Rated input [W] | Rated speed [min <sup>-1</sup> ] | Max. airflow [m <sup>3</sup> /min] [CFM] | Max. static pressure [Pa] [inchH <sub>2</sub> O] | SPL [dB (A)] | Operating temperature [°C] | Expected life [h]          |
|-------------|-------------------|-----------------------------|-------------------|-----------------|----------------------------------|--|--|--------------|----------------------------|----------------------------|
| 9WP0912S401 | 12                | 6 to 13.8                   | 0.27              | 3.24            | 3550                             | 1.66 58.6                                | 56.1 0.225                                       | 39           | -20 to +70                 | 40000/60°C<br>(70000/40°C) |
| 9WP0912F401 |                   |                             | 0.14              | 1.68            | 2650                             | 1.24 43.8                                | 32.2 0.129                                       | 30           |                            |                            |
| 9WP0924G401 |                   |                             | 0.19              | 4.56            | 3900                             | 1.76 62.2                                | 66.5 0.267                                       | 43           |                            |                            |
| 9WP0924S401 | 24                | 12 to 27.6                  | 0.15              | 3.6             | 3550                             | 1.66 58.6                                | 56.1 0.225                                       | 39           |                            |                            |
| 9WP0924H401 |                   |                             | 0.1               | 2.4             | 3150                             | 1.45 51.2                                | 44 0.177   | 33           |                            |                            |
| 9WP0924F401 |                   |                             | 0.08              | 1.92            | 2650                             | 1.24 43.8                                | 32.2 0.129                                       | 30           |                            |                            |
| 9WP0924B401 |                   |                             | 0.05              | 1.2             | 2000                             | 0.9 31.8                                 | 18.0 0.072                                       | 23           | -10 to +70                 |                            |

Note: Sensor and control options are available for selection. Refer to the table on p. 639.

## Airflow - Static Pressure Characteristics

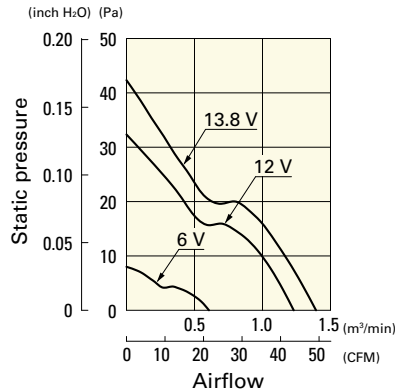
9WP0912S401 With pulse sensor

Operating voltage range



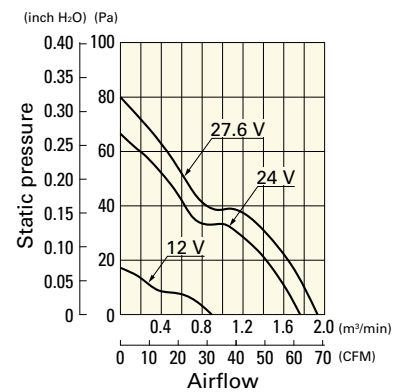
9WP0912F401 With pulse sensor

Operating voltage range



9WP0924G401 With pulse sensor

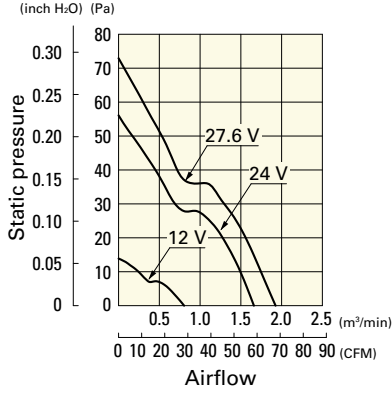
Operating voltage range



## Airflow - Static Pressure Characteristics

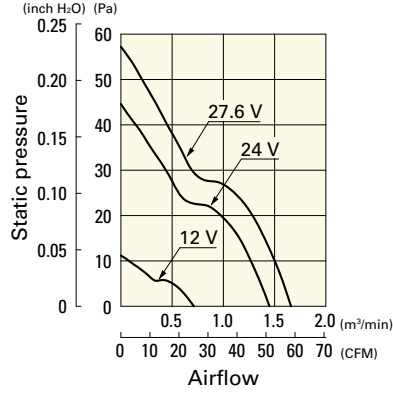
**9WP0924S401** With pulse sensor

Operating voltage range



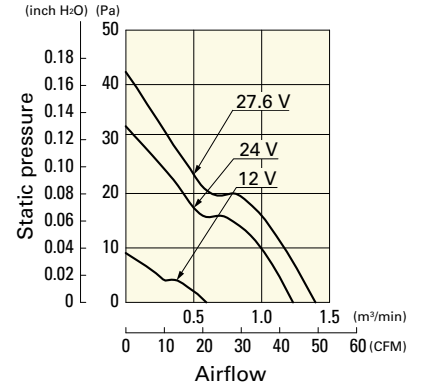
**9WP0924H401** With pulse sensor

Operating voltage range



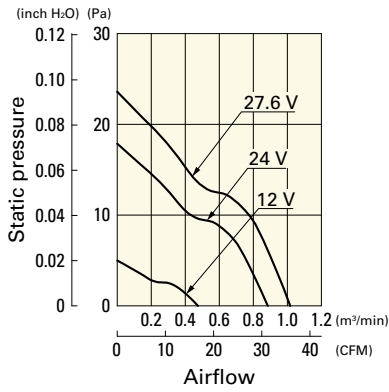
**9WP0924F401** With pulse sensor

Operating voltage range

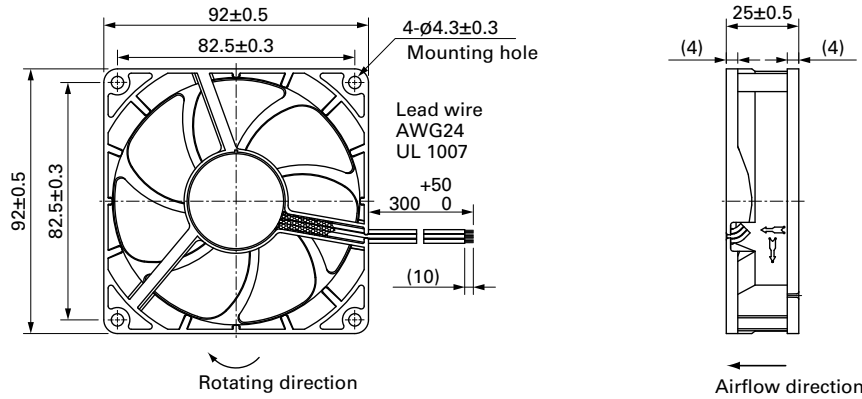


**9WP0924B401** With pulse sensor

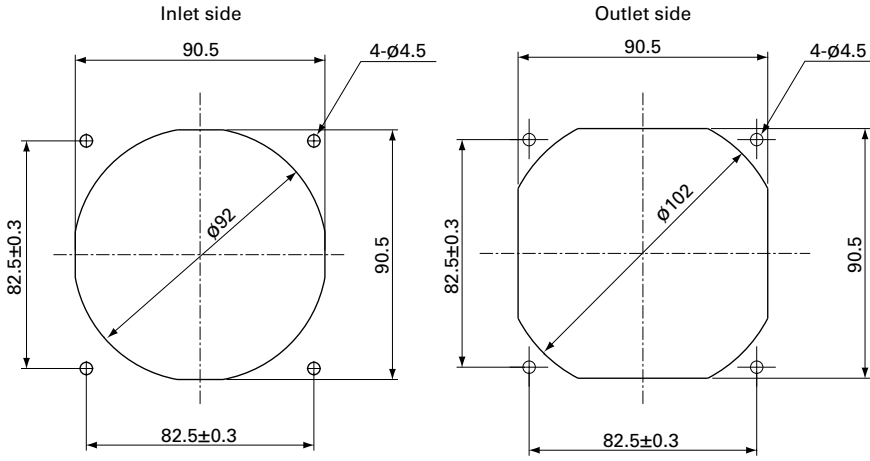
Operating voltage range



## Dimensions (unit: mm) (With ribs)



■ Reference Dimensions of Mounting Holes and Vent Opening (unit: mm)



■ Options

Finger guards

page: p. 584

Model no.: 109-099E, 109-099H, 109-099C

Resin finger guards

page: p. 591

Model no.: 109-1001G