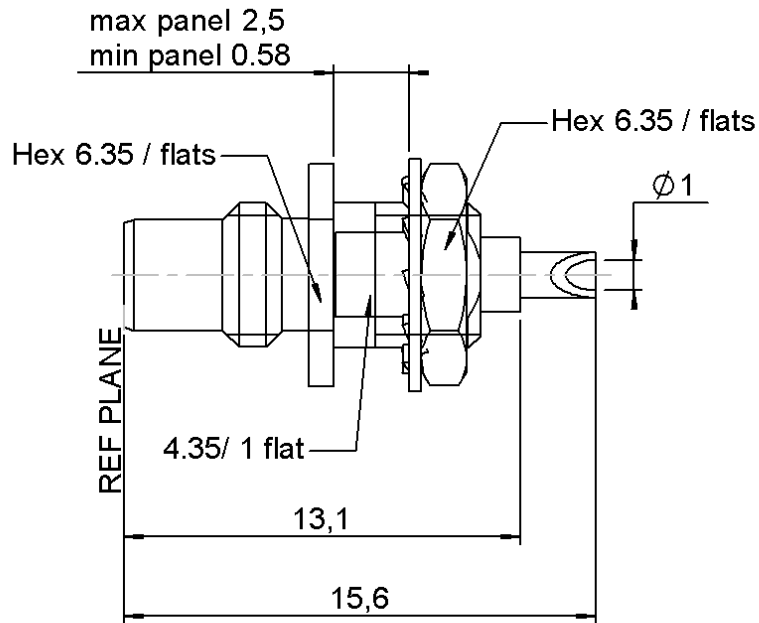
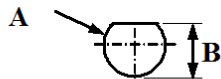


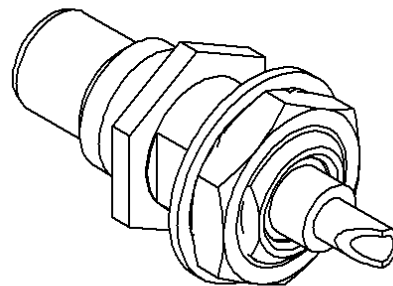
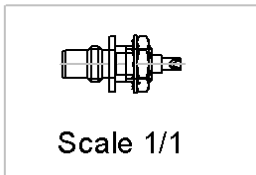
PAGE 1/2	ISSUE 27-06-16A	SERIES SMC	PART NUMBER R112553000
----------	-----------------	-------------------	-------------------------------



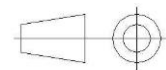
PANEL CUT OUT



mm		
	Maxi	mini
A	5	4.9
B	4.55	4.45



All dimensions are in mm.



COMPONENTS	MATERIALS	PLATING (µm)
Body	BRASS	GOLD 0.2 OVER NICKEL 2
Center contact	BRASS	GOLD 1.3 OVER NICKEL2
Outer contact	-	-
Insulator	PTFE	-
Gasket	-	-
Others parts	BRASS	GOLD 0.2 OVER NICKEL 2
-	-	-
-	-	-

PAGE 2/2	ISSUE 27-06-16A	SERIES SMC	PART NUMBER R112553000
----------	-----------------	-------------------	-------------------------------

PACKAGING

Standard	Unit	Other
1	Contact us	Contact us

ELECTRICAL CHARACTERISTICS

Impedance		50	Ω
Frequency		0-10	GHz
VSWR	1.05	+	0,1000 x F(GHz) Maxi
Insertion loss		0.03*	√F(GHz) dB Maxi
RF leakage	- (62	- F(GHz) dB Maxi
Voltage rating		335	Veff Maxi
Dielectric withstanding voltage		1000	Veff mini
Insulation resistance		1000	MΩ mini

ENVIRONMENTAL

Operating temperature	-65/+165	°C
Hermetic seal	NA	Atm.cm3/s
Panel leakage	NA	

MECHANICAL CHARACTERISTICS

Center contact retention			
Axial force – Mating End		10	N mini
Axial force – Opposite end		10	N mini
Torque		NA	N.cm mini
Recommended torque			
Mating		NA	N.cm
Panel nut		60	N.cm
Mating life		500	Cycles mini
Weight		1,2200	g

SPECIFICATION

OTHER CHARACTERISTICS

Assembly instruction:**NA**

Others:

*** Coaxial Transmission Line Only**