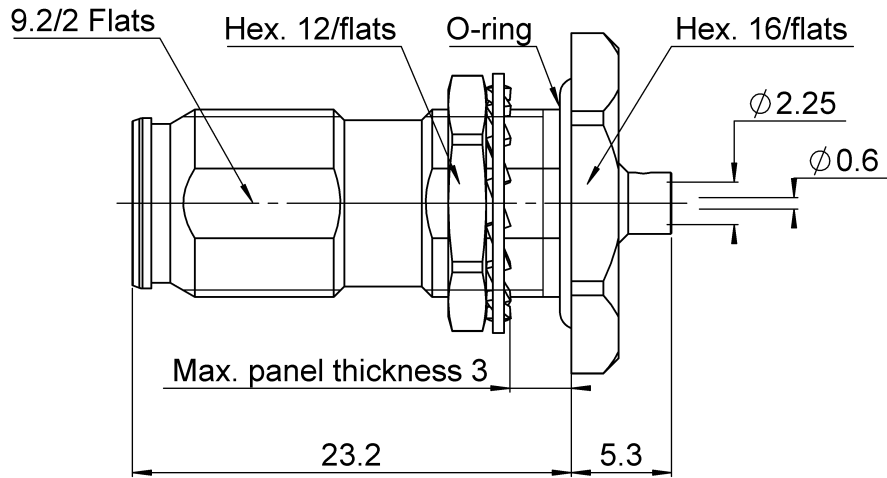
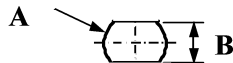


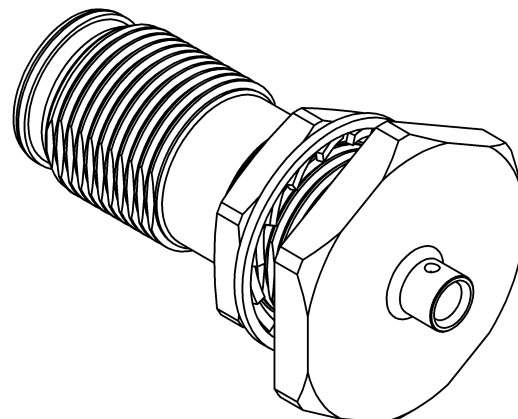
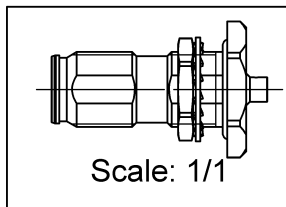
PAGE 1/3	ISSUE 25-09-17A	SERIES NEX10	PART NUMBER R180301007
----------	-----------------	--------------	------------------------



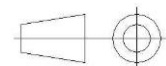
**PANEL CUT OUT**



	mm	
	Maxi	mini
A	10.1	10
B	9.3	9.2



All dimensions are in mm.



COMPONENTS	MATERIALS	PLATING (µm)
Body	<b>BRASS.</b>	<b>BBR</b>
Center contact	<b>BERYLLIUM COPPER</b>	<b>SILVER</b>
Outer contact		
Insulator	<b>PTFE</b>	
Gasket	<b>SILICONE RUBBER</b>	
Others parts	<b>BRASS/BRONZE</b>	<b>BBR</b>
-	-	-
-	-	-

PAGE <b>2/3</b>	ISSUE <b>25-09-17A</b>	SERIES <b>NEX10</b>	PART NUMBER <b>R180301007</b>
-----------------	------------------------	---------------------	-------------------------------

### PACKAGING

Standard	Unit	Other
<b>50</b>	<b>Contact us</b>	<b>Contact us</b>

### ELECTRICAL CHARACTERISTICS

Impedance	<b>50</b>	$\Omega$
Frequency	<b>0-20</b>	GHz
VSWR	<b>1.02 + 0.0200</b>	x F(GHz) Maxi
Insertion loss	<b>0.05</b>	$\sqrt{F}$ (GHz) dB Maxi
RF leakage	- ( <b>NA</b> )	- F(GHz)) dB Maxi
Voltage rating	<b>500</b>	Veff Maxi
Dielectric withstanding voltage	<b>1500</b>	Veff mini
Insulation resistance	<b>5000</b>	M $\Omega$ mini

### MECHANICAL CHARACTERISTICS

Center contact retention		
Axial force – Mating End	<b>NA</b>	N mini
Axial force – Opposite end	<b>NA</b>	N mini
Torque	<b>NA</b>	N.cm mini
Recommended torque		
Mating	<b>NA</b>	N.cm
Panel nut	<b>250</b>	N.cm
Clamp nut	<b>NA</b>	N.cm
A/F clamp nut	<b>0.0000</b>	mm
Mating life	<b>100</b>	Cycles mini
Weight	<b>14.5800</b>	g

### ENVIRONMENTAL

Operating temperature	<b>-55~+125</b>	$^{\circ}\text{C}$
Hermetic seal	<b>NA</b>	Atm.cm3/s
Panel leakage	<b>IP67</b>	

### SPECIFICATION

### CABLE ASSEMBLY

Stripping	a	b	c	d	e	f
mm	<b>4</b>	<b>0</b>	<b>0</b>	<b>0</b>	<b>0</b>	<b>0</b>

Assembly instruction: **See page 3**

Recommended cable(s)

**BELN 1671A**  
**RG 405**

-

Characteristics indicated on this data sheet are those that can be achieved with the highest performance cable. Intrinsic limitations of the cable may diminish the performance of the assembly

Cable retention

- pull off	<b>200</b>	N mini
- torque	<b>NA</b>	N.cm

### TOOLING

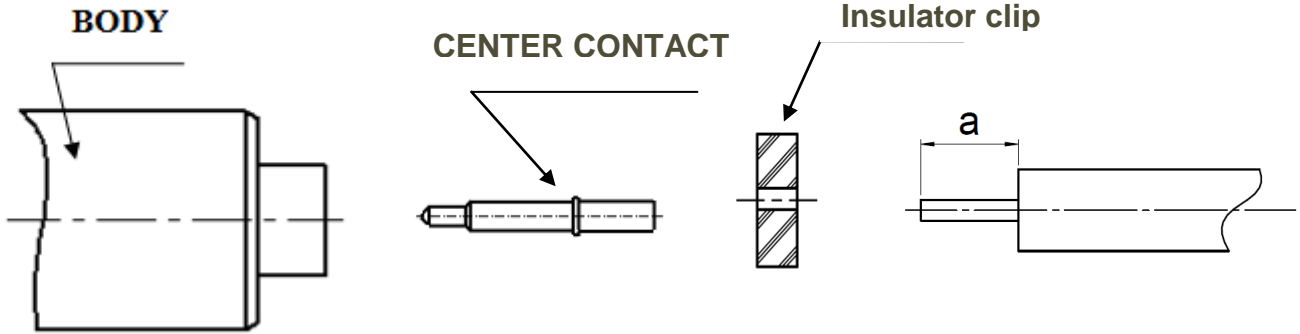
Part Number	Description	Hexagon
.	.	.

### OTHER CHARACTERISTICS

**Interface: IP68(1m,24h) mated condition**  
**Intermodulation: <=-123dBm, 2x20W**

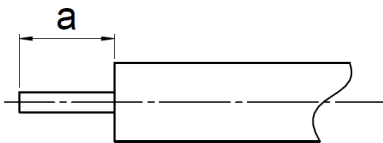
PAGE 3/3	ISSUE 25-09-17A	SERIES NEX10	PART NUMBER R180301007
----------	-----------------	--------------	------------------------

**COMPONENTS**



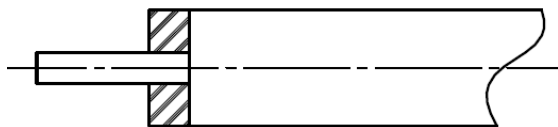
**1**

- Strip the cable with the cable stripping tool.
- Clean the cable



**2**

- Insert insulator clip on the cable
- Insert center contact until the insulator clip.
- Solder center contact



**3**

- Introduce the cable into the body until contact with the body shoulder.
- Place the sub-assembly on assembly jig
- Solder body on the cable.
- Let assembly cool down before removing it from the jig.

