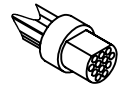


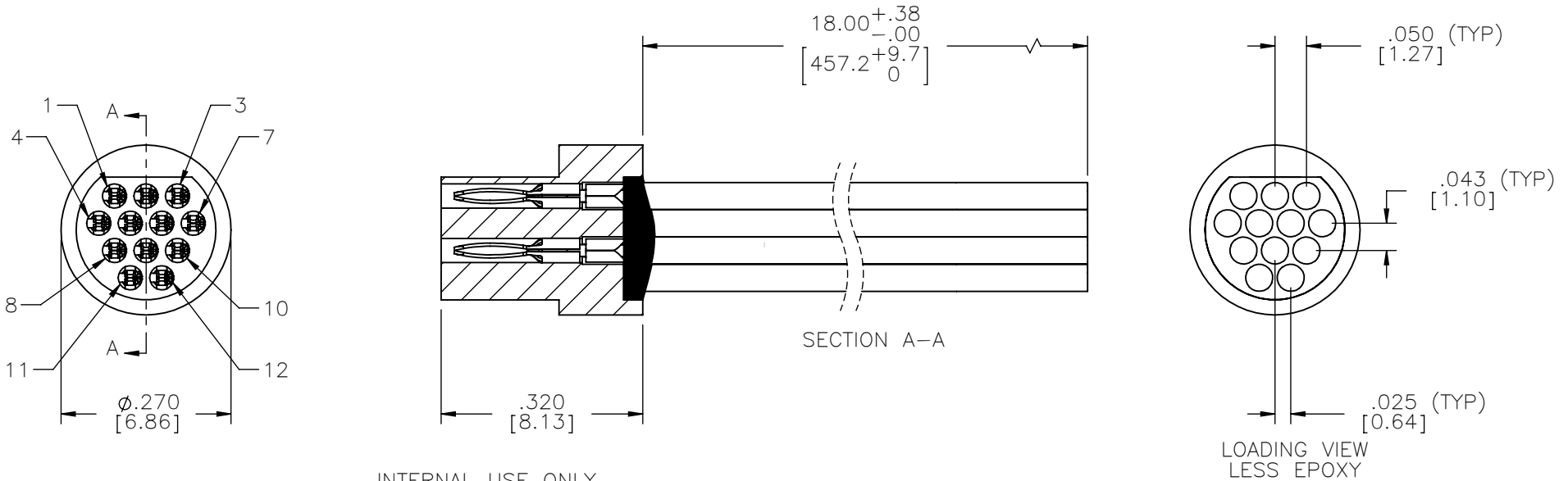
PART NO.	A22006-001	REV	ECO	DATE	APP
		F	101393	03-17-15	TLM

MATERIAL & SPECIFICATIONS

INSULATOR: LIQUID CRYSTAL POLYMER (LCP) PER ASTM D5138.
 CONTACT: BERYLLIUM COPPER PER ASTM B194, C17200. GOLD PLATED PER ASTM B488, (HARD GOLD) TYPE II CODE C CLASS 1.27.
 TERMINATION: 26 AWG (7-34) TYPE E PER NEMA HP3, COLOR CODED PER TABLE.
 CURRENT CAPACITY 3 AMP MAX.
 CONTACT RESISTANCE 26 MILLIOHMS (65 mv) MAX @ 2.5 AMPS
 PERFORMANCE : PRODUCT FAMILY TESTED TO AND PASSED THE PERFORMANCE SPECIFICATIONS OF TABLE VII OF MIL-DTL-83513



ACTUAL SIZE
EXCLUDING WIRE LENGTH



INTERNAL USE ONLY
 USE MFG LOADING
 PROCEDURE MC-12P

PIN #	COLOR
1	BLACK
2	BROWN
3	RED
4	ORANGE
5	YELLOW
6	GREEN
7	BLUE
8	VIOLET
9	GRAY
10	WHITE
11	WHT/BLACK
12	WHT/BROWN

NOTE:
 DIMENSIONS IN [] ARE IN MILLIMETERS UNLESS OTHERWISE NOTED AND ARE FOR REFERENCE ONLY

RoHS

MCTC MCP	THIRD ANGLE	THIS DRAWING CONTAINS CONFIDENTIAL AND PROPRIETARY INFORMATION WHICH IS THE PROPERTY OF OMNETICS CONNECTOR CORP. THIS DOCUMENT MAY NOT, IN WHOLE OR IN PART, BE DUPLICATED, OR DISCLOSED FOR ANY PURPOSE, WITHOUT WRITTEN PERMISSION FROM OMNETICS CONNECTOR CORP.	DATE	TITLE:	OMNETICS CONNECTOR CORPORATION 7260 COMMERCE CIRCLE EAST MINNEAPOLIS, MN 55432 WWW.OMNETICS.COM	CAGE CODE 61873		
	-TOLERANCES-		02-28-01			(12) PIN MALE CIRCULAR CONNECTOR	DWG NO. A22006-001	
	UNLESS OTHERWISE NOTED		DATE			CHK'D.	SHEET 1 OF 1	REV F
	DIMENSIONS IN INCHES		DATE			APP'D.	SCALE: 4:1	