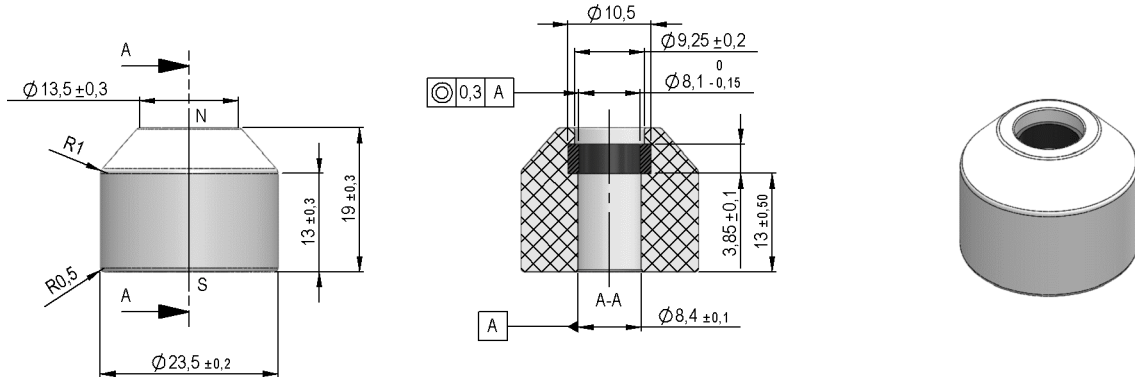


Dimensions mm[inch]
 tolerances acc. to DIN ISO 2768-m
 Toleranzen gem. DIN ISO 2768-m

Isometric
 Scale 1:1
 Maßstab 1:1



Special Product Data	Conditions	Min	Typ	Max	Unit
Material of float			PP natur		
Float weight		3,5		3,9	g

Mag. values DIN IEC 60404-8-	Conditions	Min	Typ	Max	Unit
Energy product (B x H) max.			8,36		kJ/cu m
Remanence Br			230		mT
Coercivity HcB			148		kA/m
Coercivity HcJ			258		kA/m
Magnetic moment	measured with MS150	2,65	3,1		E-6 Vs*cm
Magnet Material		Hard Ferrit C1			
Direction of Magnetization		axial			