

## Important notice

Dear Customer,

On 7 February 2017 the former NXP Standard Product business became a new company with the tradename **Nexperia**. Nexperia is an industry leading supplier of Discrete, Logic and PowerMOS semiconductors with its focus on the automotive, industrial, computing, consumer and wearable application markets

In data sheets and application notes which still contain NXP or Philips Semiconductors references, use the references to Nexperia, as shown below.

Instead of <http://www.nxp.com>, <http://www.philips.com/> or <http://www.semiconductors.philips.com/>, use <http://www.nexperia.com>

Instead of [sales.addresses@www.nxp.com](mailto:sales.addresses@www.nxp.com) or [sales.addresses@www.semiconductors.philips.com](mailto:sales.addresses@www.semiconductors.philips.com), use [salesaddresses@nexperia.com](mailto:salesaddresses@nexperia.com) (email)

Replace the copyright notice at the bottom of each page or elsewhere in the document, depending on the version, as shown below:

- © NXP N.V. (year). All rights reserved or © Koninklijke Philips Electronics N.V. (year). All rights reserved

Should be replaced with:

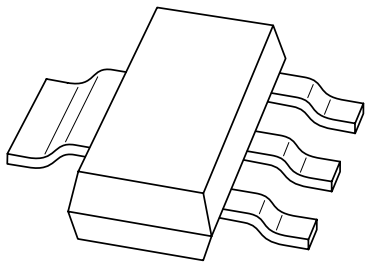
- © **Nexperia B.V. (year). All rights reserved.**

If you have any questions related to the data sheet, please contact our nearest sales office via e-mail or telephone (details via [salesaddresses@nexperia.com](mailto:salesaddresses@nexperia.com)). Thank you for your cooperation and understanding,

Kind regards,

Team Nexperia

# DATA SHEET



## **BSP126**

**N-channel enhancement mode  
vertical D-MOS transistor**

Product specification  
Supersedes data of 1997 Jun 23

2002 Feb 19

# N-channel enhancement mode vertical D-MOS transistor

**BSP126**

## FEATURES

- Direct interface to C-MOS, TTL, etc.
- High-speed switching
- No secondary breakdown.

## APPLICATIONS

- Line current interruptor in telephone sets
- Relay, high-speed and line transformer drivers.

## DESCRIPTION

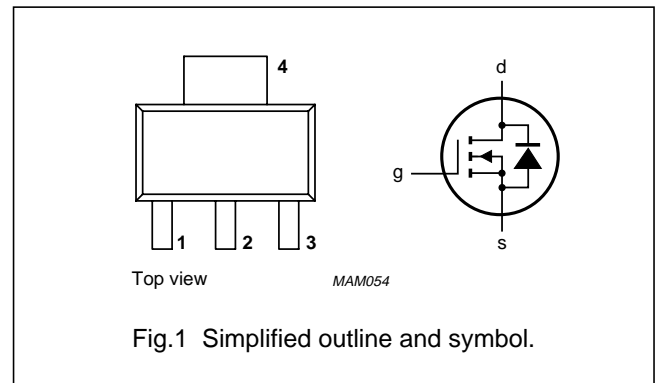
N-channel enhancement mode vertical D-MOS transistor in a miniature SOT223 package.

## MARKING

TYPE NUMBER	MARKING CODE
BSP126	BSP126

## PINNING - SOT223

PIN	DESCRIPTION
1	gate
2	drain
3	source
4	drain



## QUICK REFERENCE DATA

SYMBOL	PARAMETER	CONDITIONS	TYP.	MAX.	UNIT
$V_{DS}$	drain-source voltage (DC)		–	250	V
$I_D$	drain current (DC)		–	375	mA
$P_{tot}$	total power dissipation	$T_{amb} \leq 25\text{ °C}$	–	1.5	W
$R_{DSon}$	drain-source on-state resistance	$I_D = 300\text{ mA}; V_{GS} = 10\text{ V}$	2.8	5	$\Omega$
$V_{GSth}$	gate-source threshold voltage	$I_D = 1\text{ mA}; V_{DS} = V_{GS}$	–	2	V

## LIMITING VALUES

In accordance with the Absolute Maximum Rating System (IEC 60134).

SYMBOL	PARAMETER	CONDITIONS	MIN.	MAX.	UNIT
$V_{DS}$	drain-source voltage (DC)		–	250	V
$V_{GSO}$	gate-source voltage (DC)	open drain	–	$\pm 20$	V
$I_D$	drain current (DC)		–	375	mA
$I_{DM}$	peak drain current		–	1.3	A
$P_{tot}$	total power dissipation	$T_{amb} \leq 25\text{ °C}; \text{note 1}$	–	1.5	W
$T_{stg}$	storage temperature		–55	+150	$^{\circ}\text{C}$
$T_j$	junction temperature		–	150	$^{\circ}\text{C}$

## Note

1. Device mounted on a 40 × 40 × 1.5 mm epoxy printed-circuit board; mounting pad for the drain tab minimum 6 cm<sup>2</sup>.

## N-channel enhancement mode vertical D-MOS transistor

BSP126

### THERMAL CHARACTERISTICS

SYMBOL	PARAMETER	VALUE	UNIT
$R_{th\ j-a}$	thermal resistance from junction to ambient; note 1	83.3	K/W

#### Note

1. Device mounted on a 40 × 40 × 1.5 mm epoxy printed-circuit board; mounting pad for the drain tab minimum 6 cm<sup>2</sup>.

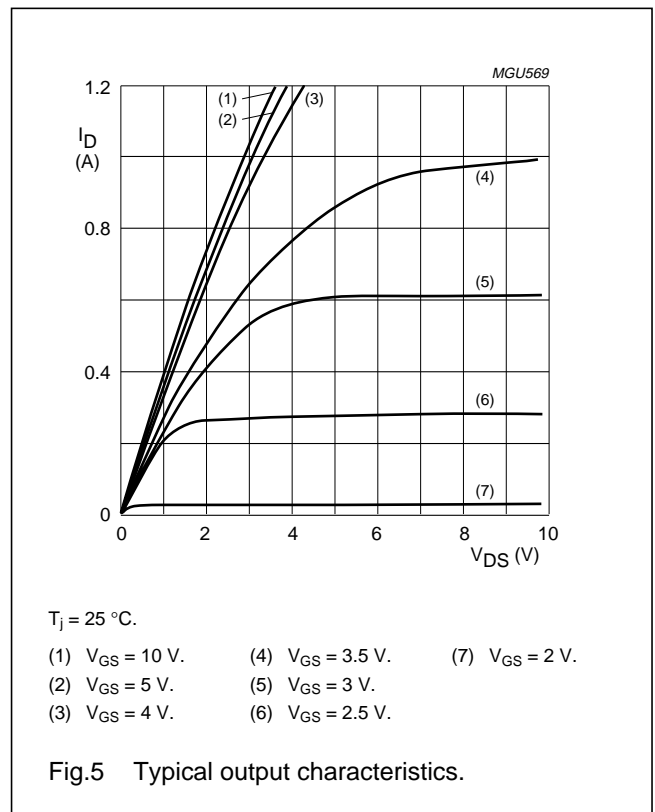
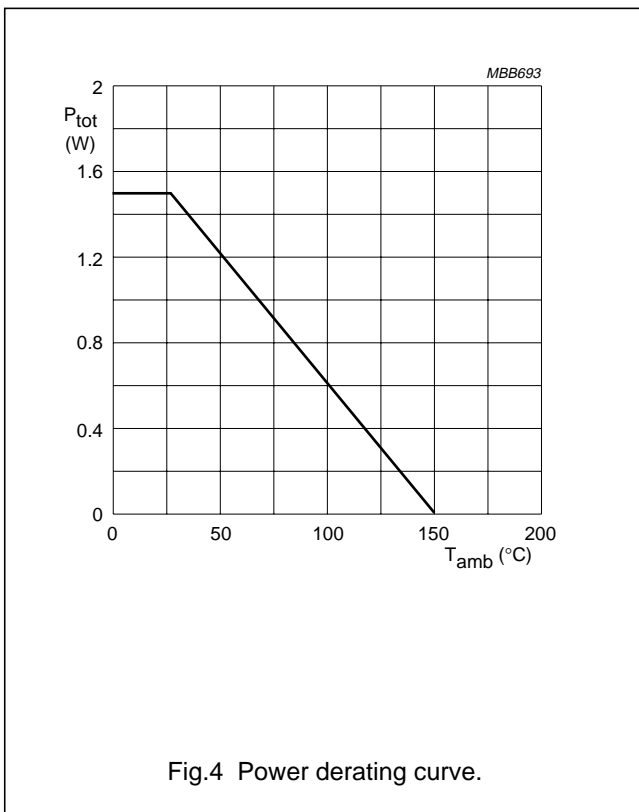
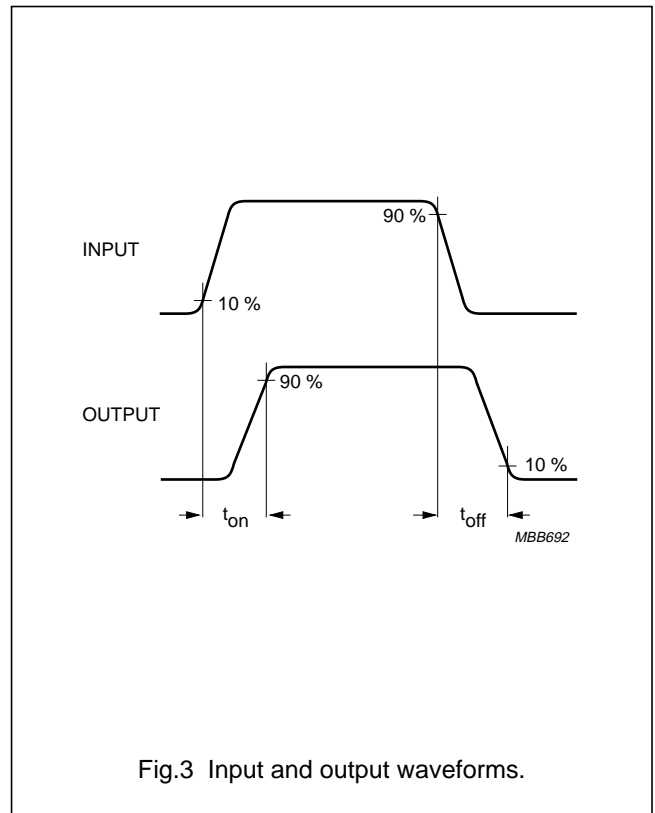
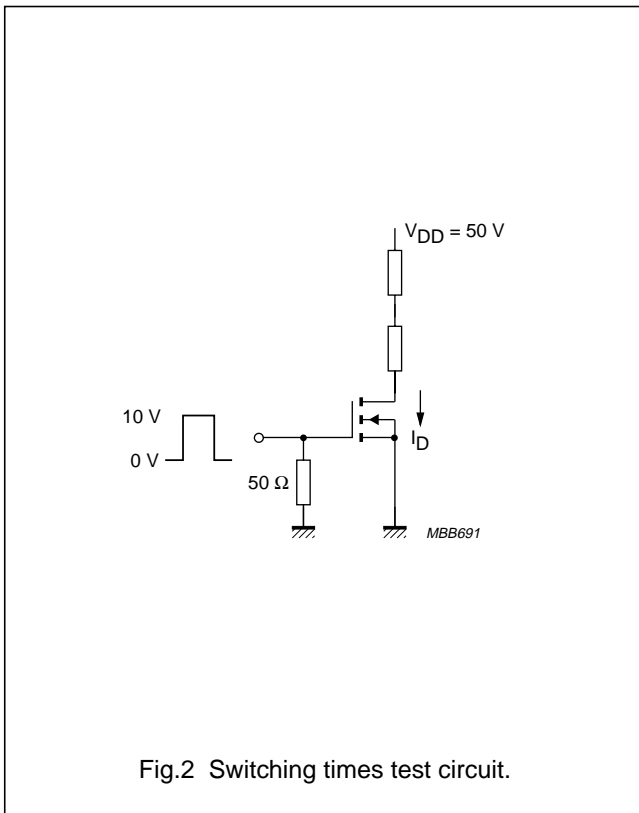
### CHARACTERISTICS

$T_j = 25\text{ °C}$  unless otherwise specified.

SYMBOL	PARAMETER	CONDITIONS	MIN.	TYP.	MAX.	UNIT
$V_{(BR)DSS}$	drain-source breakdown voltage	$I_D = 10\ \mu\text{A}; V_{GS} = 0$	250	–	–	V
$I_{GSS}$	gate-source leakage current	$V_{GS} = \pm 20\ \text{V}; V_{DS} = 0$	–	–	±100	nA
$V_{GSth}$	gate-source threshold voltage	$I_D = 1\ \text{mA}; V_{DS} = V_{GS}$	0.8	–	2	V
$R_{DSon}$	drain-source on-state resistance	$I_D = 20\ \text{mA}; V_{GS} = 2.4\ \text{V}$	–	–	7.5	$\Omega$
		$I_D = 300\ \text{mA}; V_{GS} = 10\ \text{V}$	–	2.8	5	$\Omega$
$I_{DSS}$	drain-source leakage current	$V_{DS} = 200\ \text{V}; V_{GS} = 0$	–	–	1	$\mu\text{A}$
$ Y_{fs} $	transfer admittance	$I_D = 300\ \text{mA}; V_{DS} = 25\ \text{V}$	200	600	–	mS
$C_{iss}$	input capacitance	$V_{DS} = 25\ \text{V}; V_{GS} = 0; f = 1\ \text{MHz}$	–	100	120	pF
$C_{oss}$	output capacitance	$V_{DS} = 25\ \text{V}; V_{GS} = 0; f = 1\ \text{MHz}$	–	21	30	pF
$C_{rss}$	feedback capacitance	$V_{DS} = 25\ \text{V}; V_{GS} = 0; f = 1\ \text{MHz}$	–	10	15	pF
<b>Switching times</b> (see Figs 2 and 3)						
$t_{on}$	turn-on time	$I_D = 250\ \text{mA}; V_{DD} = 50\ \text{V}; V_{GS} = 0\ \text{to}\ 10\ \text{V}$	–	6	10	ns
$t_{off}$	turn-off time	$I_D = 250\ \text{mA}; V_{DD} = 50\ \text{V}; V_{GS} = 10\ \text{to}\ 0\ \text{V}$	–	47	60	ns

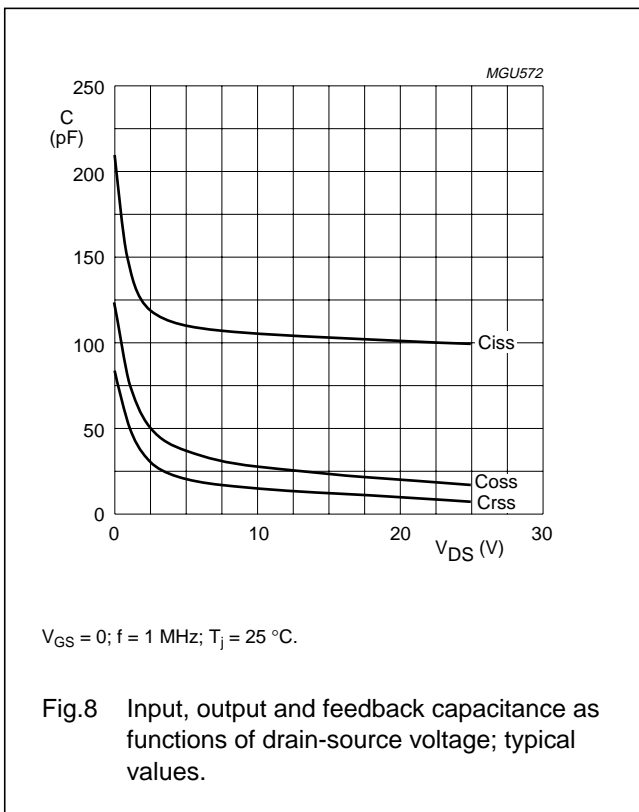
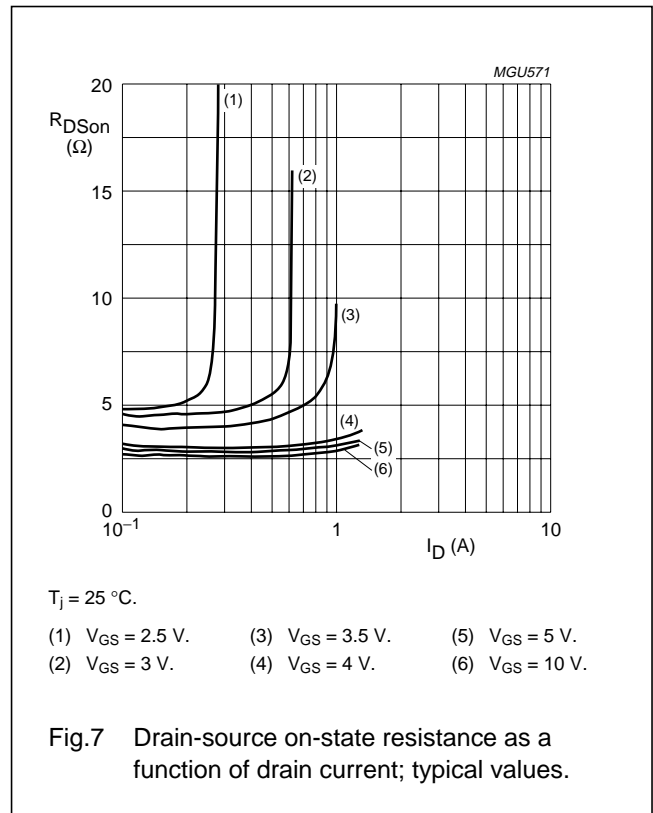
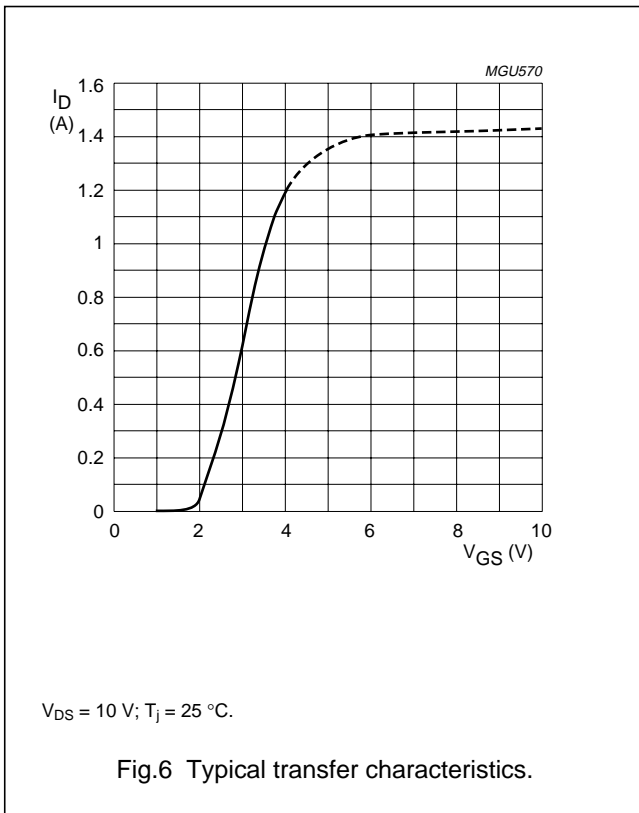
N-channel enhancement mode vertical D-MOS transistor

BSP126



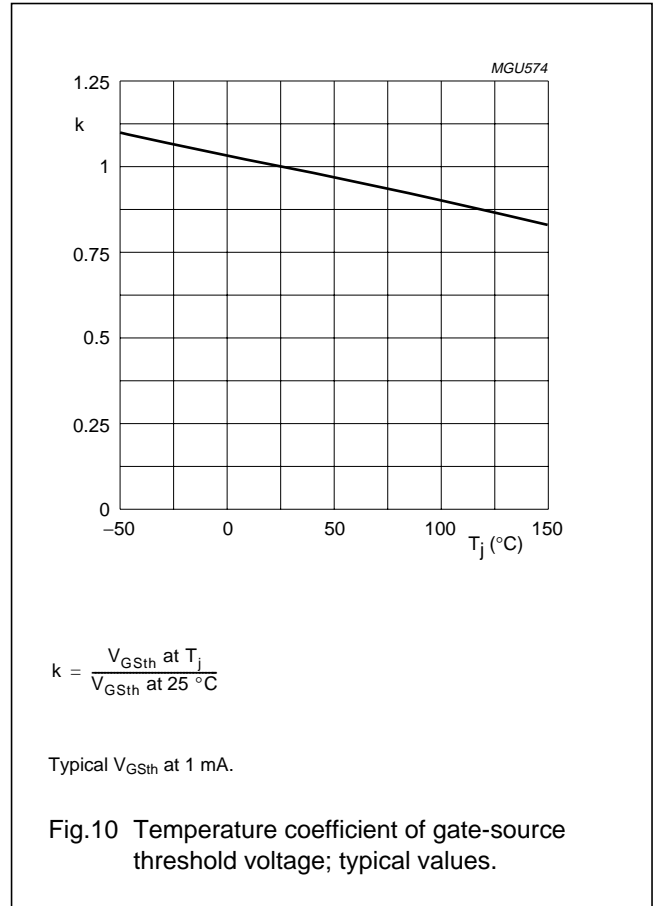
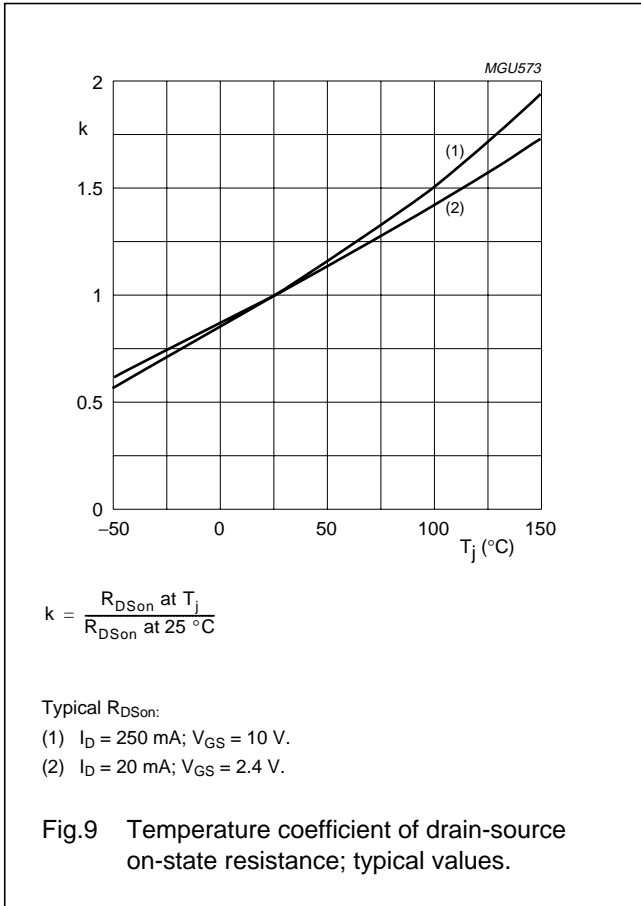
N-channel enhancement mode vertical D-MOS transistor

BSP126



N-channel enhancement mode vertical D-MOS transistor

BSP126



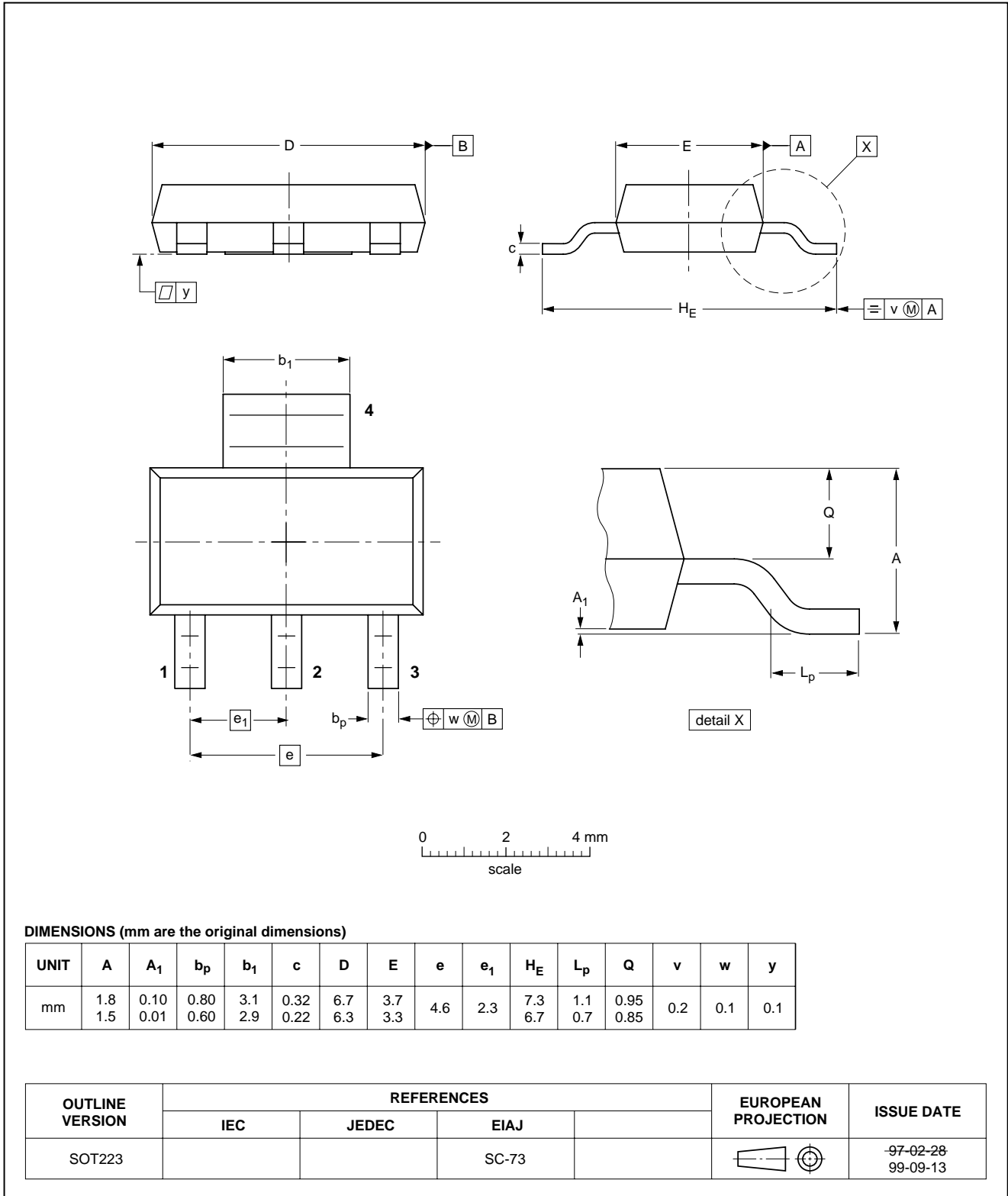
N-channel enhancement mode  
vertical D-MOS transistor

BSP126

PACKAGE OUTLINE

Plastic surface mounted package; collector pad for good heat transfer; 4 leads

SOT223





# N-channel enhancement mode vertical D-MOS transistor

BSP126

## DATA SHEET STATUS

DATA SHEET STATUS <sup>(1)</sup>	PRODUCT STATUS <sup>(2)</sup>	DEFINITIONS
Objective data	Development	This data sheet contains data from the objective specification for product development. Philips Semiconductors reserves the right to change the specification in any manner without notice.
Preliminary data	Qualification	This data sheet contains data from the preliminary specification. Supplementary data will be published at a later date. Philips Semiconductors reserves the right to change the specification without notice, in order to improve the design and supply the best possible product.
Product data	Production	This data sheet contains data from the product specification. Philips Semiconductors reserves the right to make changes at any time in order to improve the design, manufacturing and supply. Changes will be communicated according to the Customer Product/Process Change Notification (CPCN) procedure SNW-SQ-650A.

### Notes

1. Please consult the most recently issued data sheet before initiating or completing a design.
2. The product status of the device(s) described in this data sheet may have changed since this data sheet was published. The latest information is available on the Internet at URL <http://www.semiconductors.philips.com>.

### DEFINITIONS

**Short-form specification** — The data in a short-form specification is extracted from a full data sheet with the same type number and title. For detailed information see the relevant data sheet or data handbook.

**Limiting values definition** — Limiting values given are in accordance with the Absolute Maximum Rating System (IEC 60134). Stress above one or more of the limiting values may cause permanent damage to the device. These are stress ratings only and operation of the device at these or at any other conditions above those given in the Characteristics sections of the specification is not implied. Exposure to limiting values for extended periods may affect device reliability.

**Application information** — Applications that are described herein for any of these products are for illustrative purposes only. Philips Semiconductors make no representation or warranty that such applications will be suitable for the specified use without further testing or modification.

### DISCLAIMERS

**Life support applications** — These products are not designed for use in life support appliances, devices, or systems where malfunction of these products can reasonably be expected to result in personal injury. Philips Semiconductors customers using or selling these products for use in such applications do so at their own risk and agree to fully indemnify Philips Semiconductors for any damages resulting from such application.

**Right to make changes** — Philips Semiconductors reserves the right to make changes, without notice, in the products, including circuits, standard cells, and/or software, described or contained herein in order to improve design and/or performance. Philips Semiconductors assumes no responsibility or liability for the use of any of these products, conveys no licence or title under any patent, copyright, or mask work right to these products, and makes no representations or warranties that these products are free from patent, copyright, or mask work right infringement, unless otherwise specified.

---

N-channel enhancement mode  
vertical D-MOS transistor

---

BSP126

**NOTES**

---

N-channel enhancement mode  
vertical D-MOS transistor

---

BSP126

**NOTES**

---

N-channel enhancement mode  
vertical D-MOS transistor

BSP126

---

**NOTES**

# ***Philips Semiconductors – a worldwide company***

## **Contact information**

For additional information please visit <http://www.semiconductors.philips.com>. Fax: **+31 40 27 24825**

For sales offices addresses send e-mail to: [sales.addresses@www.semiconductors.philips.com](mailto:sales.addresses@www.semiconductors.philips.com).

© Koninklijke Philips Electronics N.V. 2002

SCA74

All rights are reserved. Reproduction in whole or in part is prohibited without the prior written consent of the copyright owner.

The information presented in this document does not form part of any quotation or contract, is believed to be accurate and reliable and may be changed without notice. No liability will be accepted by the publisher for any consequence of its use. Publication thereof does not convey nor imply any license under patent- or other industrial or intellectual property rights.

Printed in The Netherlands

613510/03/pp12

Date of release: 2002 Feb 19

Document order number: 9397 750 09311

*Let's make things better.*

**Philips  
Semiconductors**



**PHILIPS**