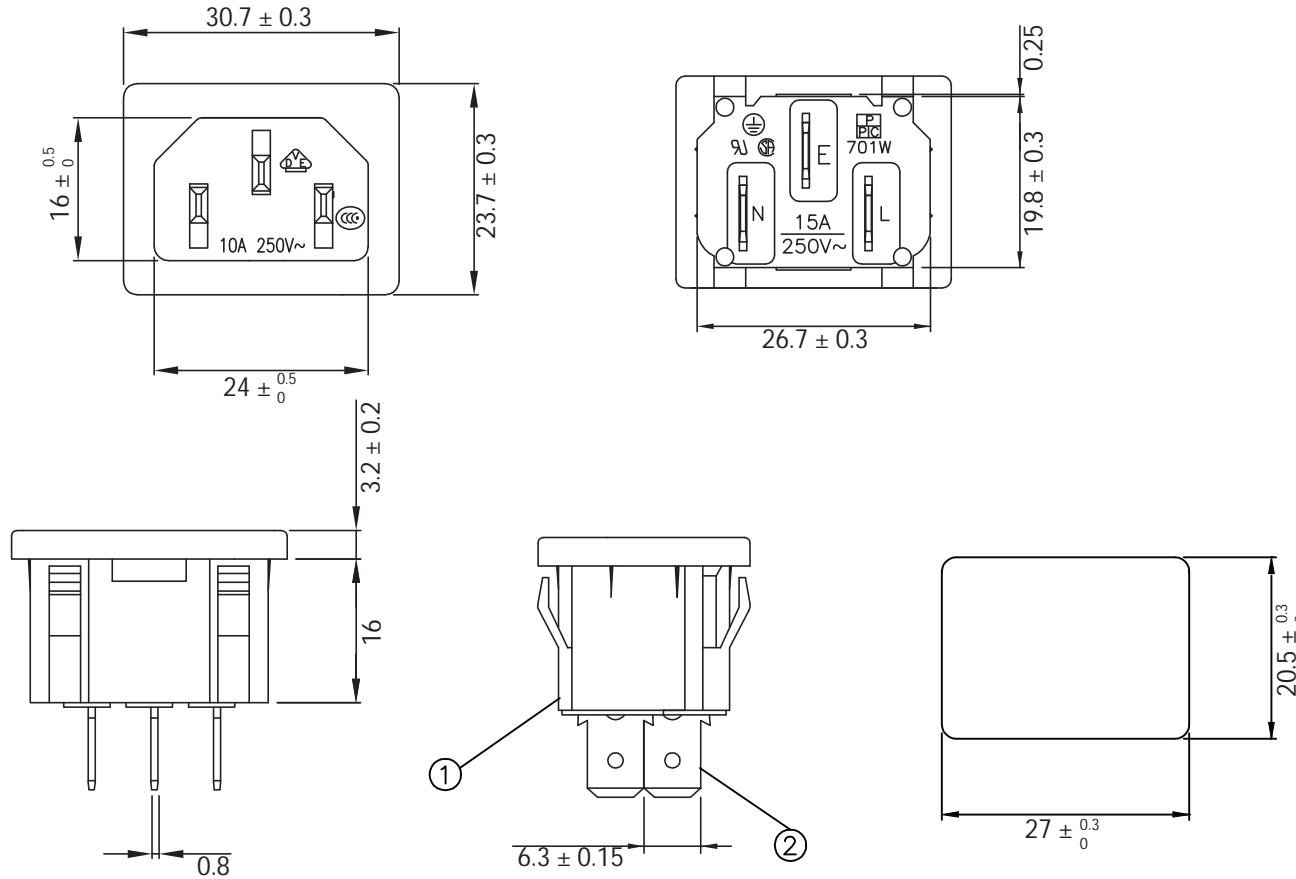


THESE DRAWINGS ARE THE PROPERTY OF QUALTEK ELECTRONICS AND NOT TO BE REPRODUCED FOR OR COMMUNICATED TO A THIRD PARTY WITHOUT THE EXPRESS WRITTEN PERMISSION OF AN OFFICER OF QUALTEK ELECTRONICS.

REVISION			
REV.	DESCRIPTION	DATE	APPROVED
B	RoHS Compliancy	06-01-06	DP
C	Updated Specifications	12-20-07	DP
D	Updated Approvals	03-03-16	LY
E	Updated Terminal Plating	06-22-21	LY



CONTROLLED

NOTES:

RATING:

UL, CSA: 15A 250V AC

VDE, CCC: 10A 250V AC

INSULATION RESISTANCE: OVER 100M OHM 500V DC

DIELECTRIC RESISTANCE: 2000V AC ONE MINUTE

PANEL THICKNESS: 0.8mm ~ 1.5mm

APPROVALS: UL, CSA, VDE, CCC

RoHS COMPLIANT

2	Contact PIN Brass Strip Ni-Plated	3	
1	Body Insulator Nylon Black Color	1	
		Qualtek Electronics Corp.	
		PPC DIVISION	
		Part Number: 701W-X2/04	RoHS Compliant
		Description: AC RECEPTACLE	
Dim range (mm)	Tolerance +/- (mm)	UNIT: mm	REV. E
0-1	0.15	Drawn / Date	Checked / Date
1-6	0.20	B.Zhang	05-11-05
6-18	0.30	05-11-05	JJH / 05-11-05
18-50	0.50		
50-120	0.70		
120-250	0.90		
250-500	1.20		