

GENERAL DESCRIPTION

The ADXL203EB is a simple evaluation board that allows quick evaluation of the performance of the ADXL203 dual axis $\pm 1.7 g$ accelerometer. The ADXL203EB has a 5-pin 0.1 inch spaced header for access to all power and signal lines that the user can attach to a prototyping board (breadboard) or wire using a standard plug. Four holes are provided for mechanical attachment of the ADXL203EB to the application.

The ADXL203EB is 20 mm \times 20 mm, with mounting holes set 15 mm \times 15 mm at the corners of the PCB.

CIRCUIT DESCRIPTION

The schematic and parts list of the ADXL203EB are shown in Figure 1. Analog bandwidth can be set by changing capacitors C2 and C3. See the ADXL203 data sheet for a complete description of the operation of the accelerometer.

The part layout of the ADXL203EB is shown in Figure 2. The ADXL203EB has two factory-installed 100 nF capacitors (C2 and C3) at X_{OUT} and Y_{OUT} to reduce the bandwidth to 50 Hz. Many applications require a different bandwidth, in which case the user can change C2 and C3, as appropriate.

SPECIAL NOTES ON HANDLING

The ADXL203EB is not reverse polarity protected. Reversing the +V supply and ground pins can cause damage to the ADXL203.

Dropping the ADXL203EB on a hard surface can generate several thousand g of acceleration and might exceed the data sheet absolute maximum limits. See the ADXL203 data sheet for more information.

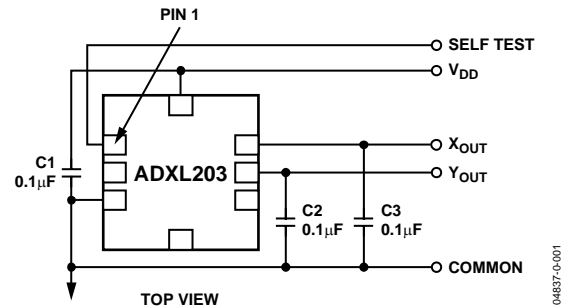


Figure 1. ADXL203EB Schematic

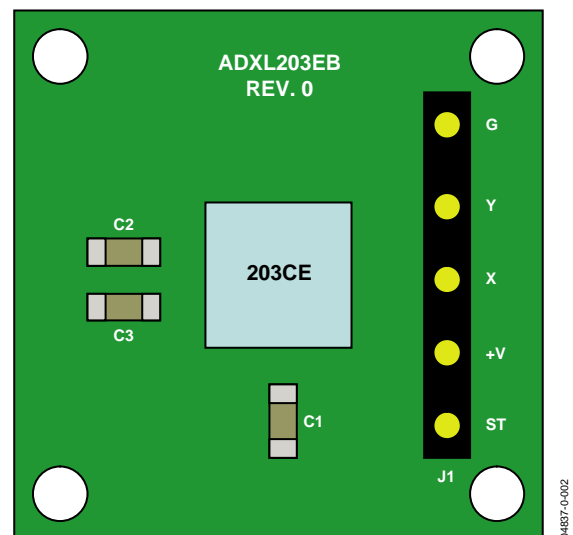


Figure 2. ADXL203EB Physical Layout

ORDERING GUIDE

Model	Package Description
ADXL203EB	Evaluation Board

Rev. 0

Information furnished by Analog Devices is believed to be accurate and reliable. However, no responsibility is assumed by Analog Devices for its use, nor for any infringements of patents or other rights of third parties that may result from its use. Specifications subject to change without notice. No license is granted by implication or otherwise under any patent or patent rights of Analog Devices. Trademarks and registered trademarks are the property of their respective owners.

ADXL203EB