

Toggle Switches

Bat Handle



Features

- Neoprene Seal Toggle (54-456 thru 54-459, 54-659 ONLY)
- Slow Make, Slow Break Contacts
- AC Rated, Suitable for Low Voltage DC Also
- Standard .500" Dia Mounting Hole
- Various Terminal Selections



NTE Type No.	Circuitry	Action			Actuator	Diag No.
54-001	SPST	ON	NONE	(OFF)	Brass/Nickel Plate	S1c
54-002	SPDT	(ON)	OFF	(ON)	Brass/Nickel Plate	S1c
54-006	SPST	ON	NONE	OFF	Brass/Nickel Plate	S1a
54-007	SPST	ON	NONE	OFF	Brass/Nickel Plate	S1b
54-008	SPST	ON	NONE	OFF	Brass/Nickel Plate	S1c
54-009	SPDT	ON	OFF	ON	Brass/Nickel Plate	S1b
54-010	SPDT	ON	OFF	ON	Brass/Nickel Plate	S1c
54-023	SPST	ON	NONE	OFF	Brass/Nickel Plate	S1d
54-024	SPDT	ON	NONE	ON	Brass/Nickel Plate	S1d
54-025	SPDT	ON	OFF	ON	Brass/Nickel Plate	S1d
54-456*	SPST	ON	NONE	OFF	Brass/Nickel Plate	S1c
54-457*	SPST	(ON)	NONE	OFF	Brass/Nickel Plate	S1c
54-458*	SPST	ON	NONE	OFF	Brass/Nickel Plate	S1b
54-459*	SPDT	ON	OFF	ON	Brass/Nickel Plate	S1b
54-659*	SPDT	(ON)	OFF	(ON)	Brass/Nickel Plate	S1b

SPECIAL NOTE: () = Momentary Function
* Neoprene Seal Toggle

Bat Handle

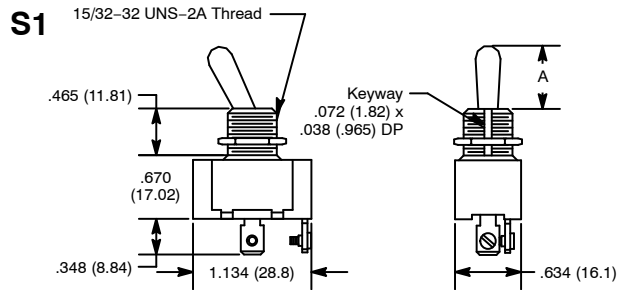


Features

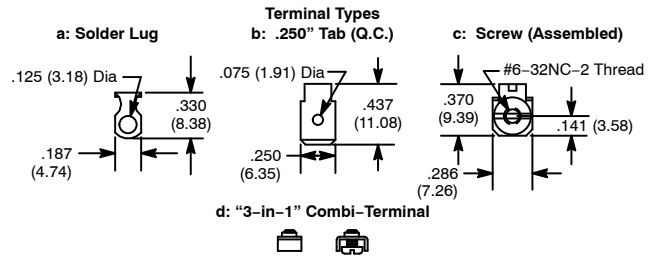
- Quick Make, Quick Break Wiping Action
- 6" Wire Leads
- Brass or Plastic Actuator



NTE Type No.	Circuitry	Action			Actuator	Diag No.
54-130	SPST	OFF	NONE	ON	Brass/Nickel Plate	S36
54-131	SPST	OFF	NONE	ON	Plastic	S36

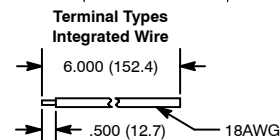
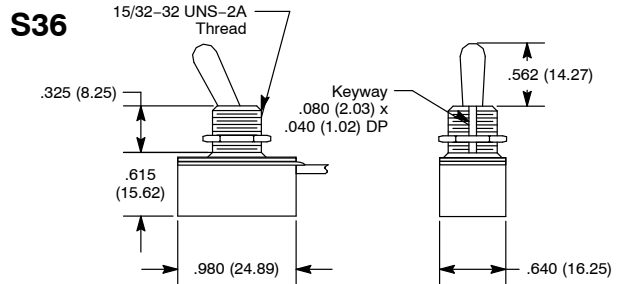


NTE Type	A
54-457	2.000 (50.8)
All Other s	.687 (17.44)



Specifications

Current Rating: 15A 125VAC, 10A 250VAC, 3/4 HP 125-250VAC
Insulation Resistance: 100 Megohms (min.)
Dielectric Strength: 1000V RMS (min.)
Temperature Rating: 0° to +150°F (-17.8° to +65.6°C)
Electrical Life: 50,000 cycles maintained, 25,000 cycles momentary
Mechanical Life: 100,000 cycles
Terminal Type: Refer to Diag No. in Table
Mounting Hole: .500 (12.7)



Specifications

Current Rating: 10A 125VAC, 8A 125VDC, 4A 250VDC, 1/3 HP 125VAC
Dielectric Strength: 1000V RMS (min.)
Temperature Rating: +149°F (+65°C) Max
Electrical Life: 25,000 cycles Min
Mechanical Life: 100,000 cycles
Terminal Type: Integrated Wire
Mounting Hole: .500 (12.7)

Toggle Switches

Bat Handle



Features

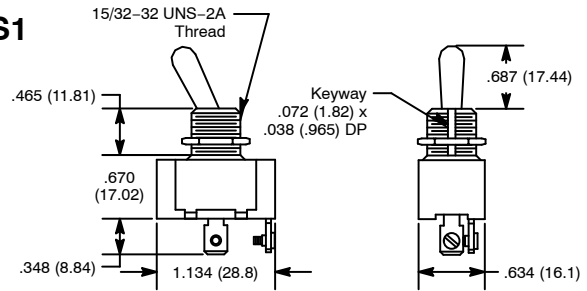
- Slow Make, Slow Break Contacts
- AC Rated, Suitable for Low Voltage DC Also
- Standard .500" Dia Mounting Hole
- Screw Mount Terminals



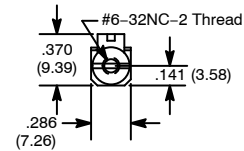
NTE Type No.	Circuitry	Action			Actuator	Diag No.
54-094	SPST	(ON)	NONE	OFF	Brass/Nickel Plate	S1c
54-096	SPDT	ON	NONE	ON	Brass/Nickel Plate	S1c
54-097	SPDT	ON	NONE	(ON)	Brass/Nickel Plate	S1c
54-143	SPST	ON	NONE	OFF	Brass/Nickel Plate	S1c

SPECIAL NOTE: () = Momentary Function

S1



Terminal Types
c: Screw (Assembled)



Specifications

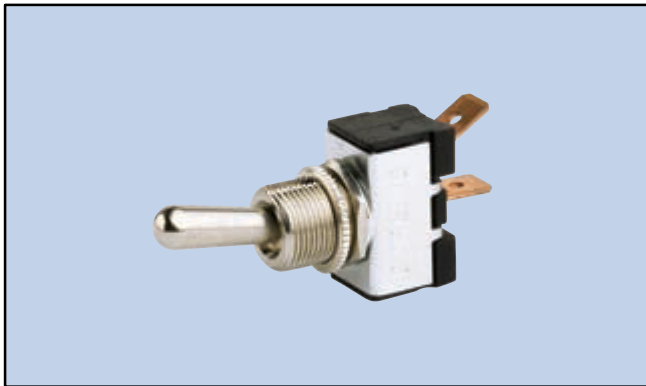
Current Rating: 6A 125VAC, 3A 250VAC, 1/4 HP 120-240VAC
Insulation Resistance: 100 Megohms (min.)
Dielectric Strength: 1000V RMS (min.)
Temperature Rating: 0° to +150°F (-17.8° to +65.6°C)
Electrical Life: 50,000 cycles
Mechanical Life: 100,000 cycles
Terminal Type: Screw Type
Mounting Hole: .500 (12.7)

Bat Handle



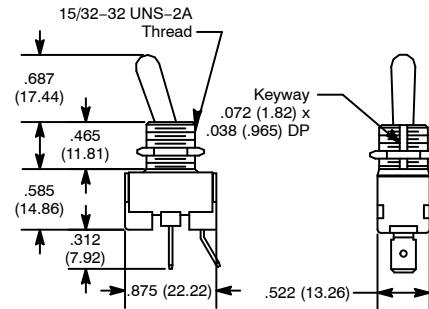
Features

- AC Rated, General Purpose
- Industry Standard .500" Dia Mounting Hole
- .250" Quick Connect Terminals



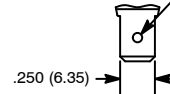
NTE Type No.	Circuitry	Action			Actuator	Diag No.
54-005	SPST	ON	NONE	OFF	Brass/Nickel Plate	S3b
54-098	SPDT	ON	NONE	ON	Brass/Nickel Plate	S3b

S3



Terminal Types

b: .250" Tab (Q.C.)
.075 (1.9) Dia



Specifications

Current Rating:
54-005: 20A 125VAC, 10A 250VAC, 1 1/2 HP 125-250VAC
54-098: 10A 125VAC, 5A 250VAC, 1/2 HP 125-250VAC
Insulation Resistance: 100 Megohms (min.)
Dielectric Strength: 1000V RMS (min.)
Temperature Rating: +32° to +185°F (0° to +85°C)
Electrical Life: 25,000 cycles
Mechanical Life: 100,000 cycles
Terminal Type: .250" Tab Q.C.
Mounting Hole: .500 (12.7)

Toggle Switches

Bat Handle



Features

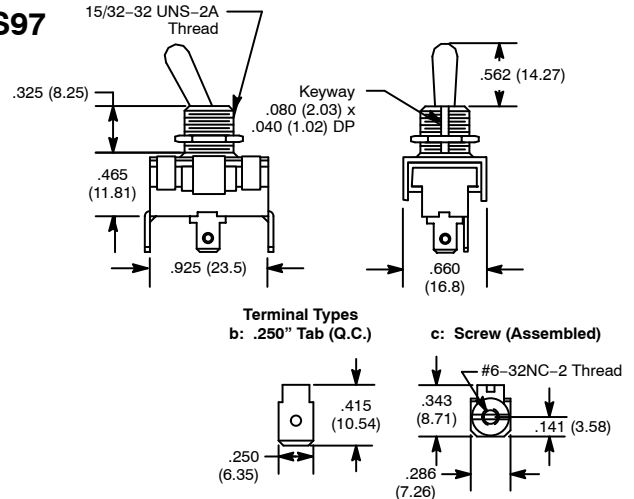
- Slow-Make/Slow-Break Butt Contact
- 1 HP, 125-250VAC



NTE Type No.	Circuitry	Action			Actuator	Diag No.
54-579	SPST	ON	NONE	OFF	Nickel Plated Brass	S97b
54-580	SPST (ON)	NONE	OFF		Nickel Plated Brass	S97b
54-581	SPST	ON	NONE	(OFF)	Nickel Plated Brass	S97b
54-582	SPDT	ON	NONE	ON	Nickel Plated Brass	S97b
54-583	SPDT	ON	OFF	ON	Nickel Plated Brass	S97b
54-584	SPDT (ON)	NONE	ON		Nickel Plated Brass	S97b
54-585	SPDT (ON)	OFF	ON		Nickel Plated Brass	S97b
54-586	SPDT (ON)	OFF	(ON)		Nickel Plated Brass	S97b
54-593	SPST	ON	NONE	OFF	Nickel Plated Brass	S97c
54-594	SPST (ON)	NONE	OFF		Nickel Plated Brass	S97c
54-595	SPST	ON	NONE	(OFF)	Nickel Plated Brass	S97c
54-596	SPDT	ON	NONE	ON	Nickel Plated Brass	S97c
54-597	SPDT	ON	OFF	ON	Nickel Plated Brass	S97c
54-598	SPDT (ON)	NONE	ON		Nickel Plated Brass	S97c
54-599	SPDT (ON)	OFF	ON		Nickel Plated Brass	S97c
54-600	SPDT (ON)	OFF	(ON)		Nickel Plated Brass	S97c

SPECIAL NOTE: () = Momentary Function

S97



Specifications

Current Rating: 20A 125VAC, 10A 250VAC, 1 HP 125-250VAC
Insulation Resistance: 10⁹ ohms (min.)
Dielectric Strength: 1500V RMS (min.)
Temperature Rating: +14° to +149°F (-10° to +65°C)
Electrical Life: 10,000 cycles (min.) at full load
Mechanical Life: 30,000 cycles (min.)
Terminal Type: Refer to Diag. No. in Table
Mounting Hole: .500 (12.7)

Bat Handle



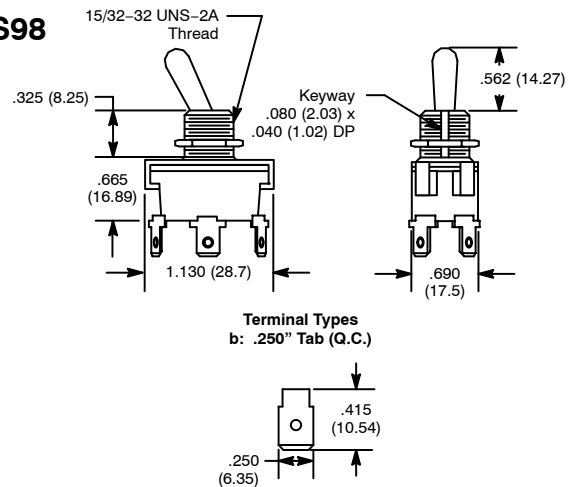
Features

- Slow-Make/Slow-Break Butt Contact
- 1 HP, 125-250VAC



NTE Type No.	Circuitry	Action			Actuator	Diag No.
54-590	DPST	ON	NONE	OFF	Nickel Plated Brass	S98b
54-591	DPDT	ON	NONE	ON	Nickel Plated Brass	S98b
54-592	DPDT	ON	OFF	ON	Nickel Plated Brass	S98b

S98



Specifications

Current Rating: 20A 125VAC, 10A 250VAC, 1 HP 125-250VAC
Insulation Resistance: 10⁹ ohms (min.)
Dielectric Strength: 1500V RMS (min.)
Temperature Rating: +14° to +149°F (-10° to +65°C)
Electrical Life: 10,000 cycles (min.) at full load
Mechanical Life: 30,000 cycles (min.)
Terminal Type: .250" Tab Q.C.
Mounting Hole: .500 (12.7)

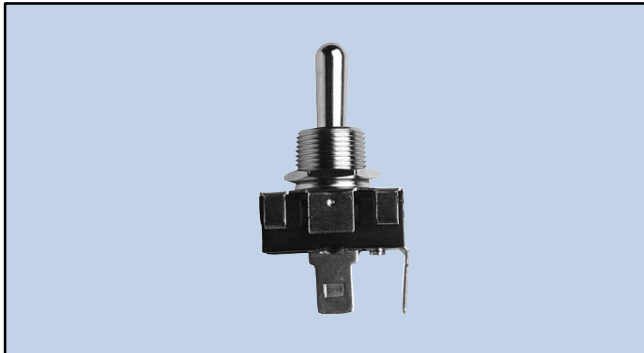
Toggle Switches

Bat Handle



Features

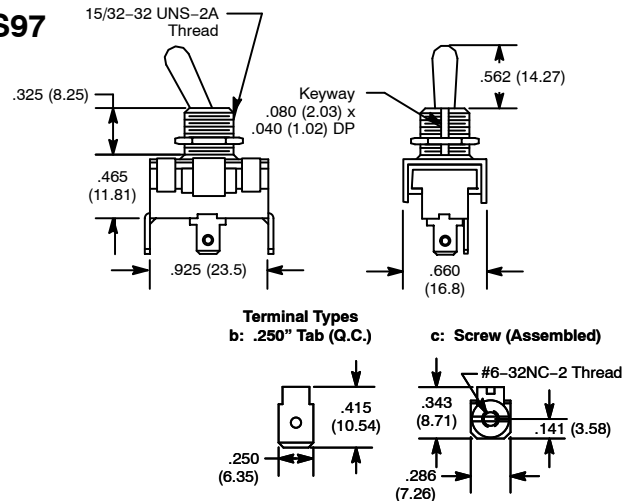
- Slow-Make/Slow-Break Butt Contact
- 3/4 HP, 125-250VAC



NTE Type No.	Circuitry	Action			Actuator	Diag No.
54-610	SPST	ON	NONE	OFF	Nickel Plated Brass	S97c
54-611	SPST (ON)	NONE	NONE	OFF	Nickel Plated Brass	S97c
54-612	SPST	ON	NONE	(OFF)	Nickel Plated Brass	S97c
54-613	SPDT	ON	NONE	ON	Nickel Plated Brass	S97c
54-614	SPDT	ON	OFF	ON	Nickel Plated Brass	S97c
54-615	SPDT (ON)	NONE	NONE	ON	Nickel Plated Brass	S97c
54-616	SPDT (ON)	OFF	ON	ON	Nickel Plated Brass	S97c
54-617	SPDT (ON)	OFF	(ON)	ON	Nickel Plated Brass	S97c
54-619	SPST	ON	NONE	OFF	Nickel Plated Brass	S97b
54-620	SPST (ON)	NONE	NONE	OFF	Nickel Plated Brass	S97b
54-621	SPST	ON	NONE	(OFF)	Nickel Plated Brass	S97b
54-622	SPDT	ON	NONE	ON	Nickel Plated Brass	S97b
54-623	SPDT	ON	OFF	ON	Nickel Plated Brass	S97b
54-624	SPDT (ON)	NONE	NONE	ON	Nickel Plated Brass	S97b
54-625	SPDT (ON)	OFF	ON	ON	Nickel Plated Brass	S97b
54-626	SPDT (ON)	OFF	(ON)	ON	Nickel Plated Brass	S97b

SPECIAL NOTE: () = Momentary Function

S97



Specifications

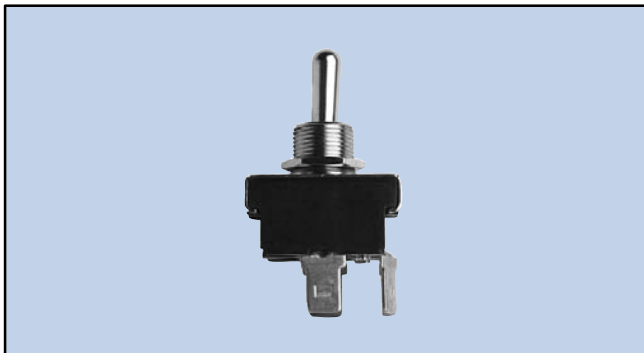
Current Rating: 20A 125VAC, 10A 250VAC, 3/4 HP 125-250VAC
Insulation Resistance: 10⁹ ohms (min.)
Dielectric Strength: 1000V RMS (min.)
Temperature Rating: +14° to +149°F (-10° to +65°C)
Electrical Life: 10,000 cycles (min.) at full load
Mechanical Life: 30,000 cycles (min.)
Terminal Type: Refer to Diag. No. in Table
Mounting Hole: .500 (12.7)

Bat Handle



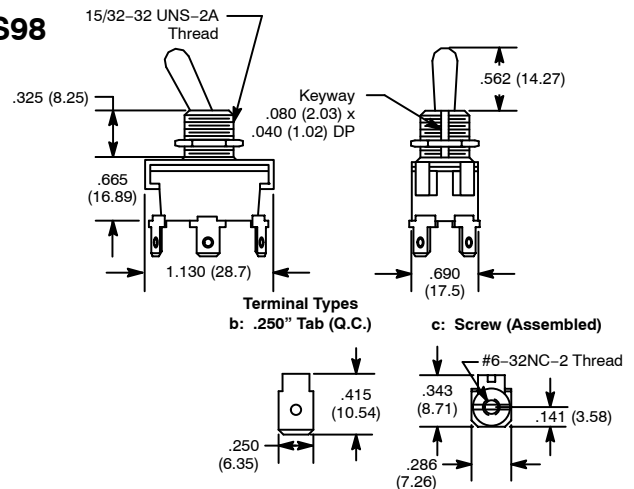
Features

- Slow-Make/Slow-Break Butt Contact
- 3/4 HP, 125-250VAC



NTE Type No.	Circuitry	Action			Actuator	Diag No.
54-602	DPST	ON	NONE	OFF	Nickel Plated Brass	S98c
54-603	DPDT	ON	NONE	ON	Nickel Plated Brass	S98c
54-604	DPDT	ON	OFF	ON	Nickel Plated Brass	S98c
54-606	DPST	ON	NONE	OFF	Nickel Plated Brass	S98b
54-607	DPDT	ON	NONE	ON	Nickel Plated Brass	S98b
54-608	DPDT	ON	OFF	ON	Nickel Plated Brass	S98b

S98



Specifications

Current Rating: 20A 125VAC, 10A 250VAC, 3/4 HP 125-250VAC
Insulation Resistance: 10⁹ ohms (min.)
Dielectric Strength: 1000V RMS (min.)
Temperature Rating: +14° to +149°F (-10° to +65°C)
Electrical Life: 10,000 cycles (min.) at full load
Mechanical Life: 30,000 cycles (min.)
Terminal Type: Refer to Diag. No. in Table
Mounting Hole: .500 (12.7)

Toggle Switches

Bat Handle



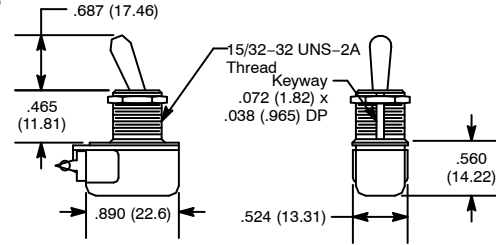
Features

- Quick Make, Quick Break Contacts
- AC/DC Shallow Back Panel Applications
- Standard .500" Dia Mounting Hole



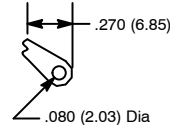
NTE Type No.	Circuitry	Action			Actuator	Diag No.
54-070	SPST	ON	NONE	OFF	Brass/Nickel Plate	S14a
54-071	SPST	ON	NONE	OFF	Brass/Nickel Plate	S14c

S14

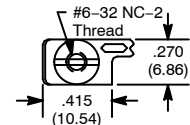


Terminal Types

a: Solder Lug (End)



c: Screw (Assembled)



Specifications

Current Rating: 6A 125VAC, 3A 250VAC, AC/DC
Insulation Resistance: 100 Megohms (min.)
Dielectric Strength: 1000V RMS (min.)
Temperature Rating: 0° to +150°F (-17.8° to +65.6°C)
Electrical Life: 25,000 cycles
Mechanical Life: 15,000 cycles
Terminal Type: Refer to Diag No. in Table
Mounting Hole: .500 (12.7)

Bat Handle



Features

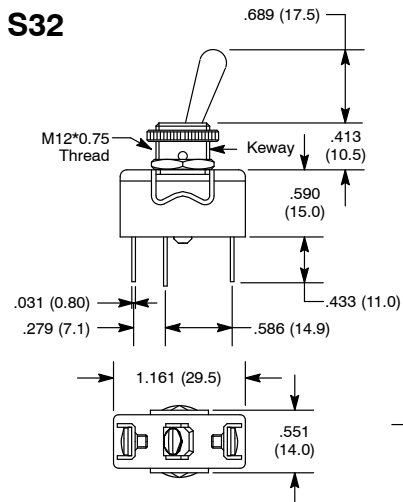
- Waterproof Types Available on Page 159
- Optional Rubber Boot, 54-905M



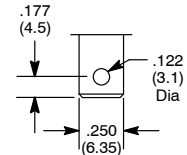
NTE Type No.	Circuitry	Action			Actuator	Diag No.
54-348	SPST	ON	NONE	OFF	Nickel Plated Brass	S32a
54-349	SPDT	ON	NONE	ON	Nickel Plated Brass	S32a
54-350	SPDT	ON	OFF	ON	Nickel Plated Brass	S32a
54-351	SPDT	(ON)	NONE	ON	Nickel Plated Brass	S32a
54-352	SPDT	(ON)	OFF	(ON)	Nickel Plated Brass	S32a
54-353	SPDT	ON	OFF	(ON)	Nickel Plated Brass	S32a
54-354	SPST	ON	NONE	OFF	Nickel Plated Brass	S32c
54-355	SPDT	ON	NONE	ON	Nickel Plated Brass	S32c
54-356	SPDT	ON	OFF	ON	Nickel Plated Brass	S32c
54-357	SPDT	(ON)	NONE	ON	Nickel Plated Brass	S32c
54-358	SPDT	(ON)	OFF	(ON)	Nickel Plated Brass	S32c
54-359	SPDT	ON	OFF	(ON)	Nickel Plated Brass	S32c

SPECIAL NOTE: () = Momentary Function

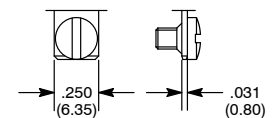
S32



a: Solder Lug/Quick Connect



c: Screw (Assembled)



Specifications

Current Rating:
Functions ON-OFF and ON-ON: 15A 250VAC or 10A 24VDC
Functions ON OFF ON: 15A 250VAC
Other Functions: 15A 125VAC, 12A 250VAC or 5A 25VDC
Insulation Resistance: 1000 Megohms (min.) at 500VDC
Dielectric Strength: 2000V RMS (min.) between terminals
Temperature Rating: -4° to +131°F (-20° to +55°C)
Electrical Life: 10,000 cycles (min.) at full load
Terminal Type: Refer to Diag No. in Table
Mounting Hole: .480 (12.2)

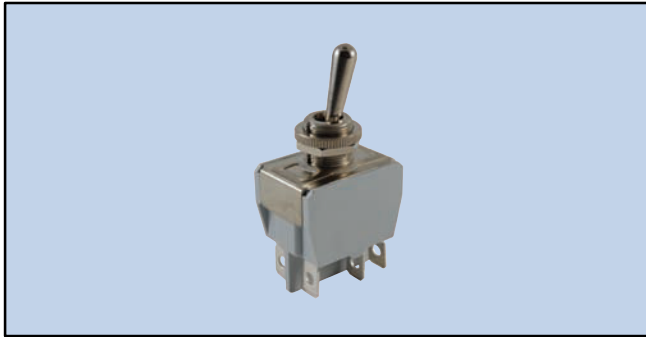
Toggle Switches

Bat Handle



Features

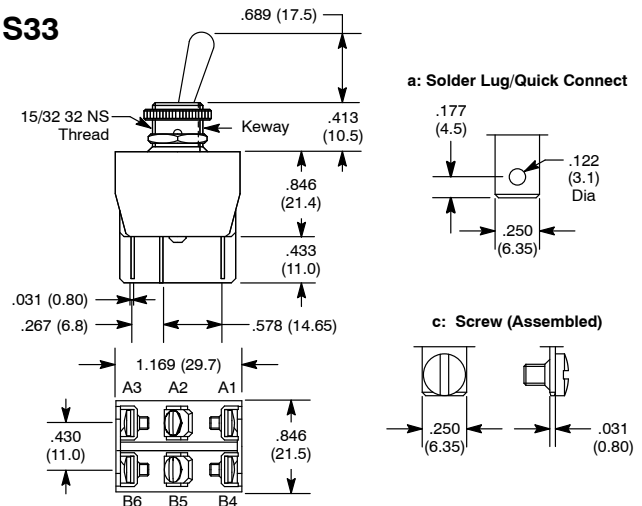
- Waterproof Types Available on Page 159



NTE Type No.	Circuitry	Current Rating	Action			Actuator	Diag No.
54-360	DPDT	A	ON	NONE	ON	Brass/Nickel Plate	S33a
54-361#	DPDT	D	ON	OFF	ON	Brass/Nickel Plate	S33a
54-362*#	SP3T	C	ON	ON	ON	Brass/Nickel Plate	S33a
54-363#	DPDT	C	(ON)	NONE	ON	Brass/Nickel Plate	S33a
54-364#	DPDT	C	(ON)	OFF	(ON)	Brass/Nickel Plate	S33a
54-365#	DPDT	C	ON	OFF	(ON)	Brass/Nickel Plate	S33a
54-366	DPST	A	ON	NONE	OFF	Brass/Nickel Plate	S33a
54-367	DPST	A	ON	NONE	OFF	Brass/Nickel Plate	S33c
54-369##	DPDT	A	ON	NONE	ON	Brass/Nickel Plate	S33c
54-370#	DPDT	B	ON	OFF	ON	Brass/Nickel Plate	S33c
54-371*#	SP3T	C	ON	ON	ON	Brass/Nickel Plate	S33c
54-372#	DPDT	C	(ON)	NONE	ON	Brass/Nickel Plate	S33c
54-373##	DPDT	C	(ON)	OFF	(ON)	Brass/Nickel Plate	S33c
54-374##	DPDT	C	ON	OFF	(ON)	Brass/Nickel Plate	S33c

SPECIAL NOTE: () = Momentary Function
 * SP in DP case.
 # UL for 10 Amp ONLY
 ## UL for 12 Amp ONLY

S33



Specifications

Current Rating:

- A: 15A 250VAC or 10A 24VDC, 15A 12VDC
- B: 15A 250VAC,
- C: 15A 125VAC, 12A 250VAC or 5A 25VDC
- D: 10A 125-250VAC, 1/2HP

Insulation Resistance: 1000 Megohms (min.) at 500VDC

Dielectric Strength: 2000V RMS (min.) between terminals

Temperature Rating: -4° to +131°F (-20° to +55°C)

Electrical Life: 10,000 cycles (min.) at full load

Terminal Type: Refer to Diag No. in Table

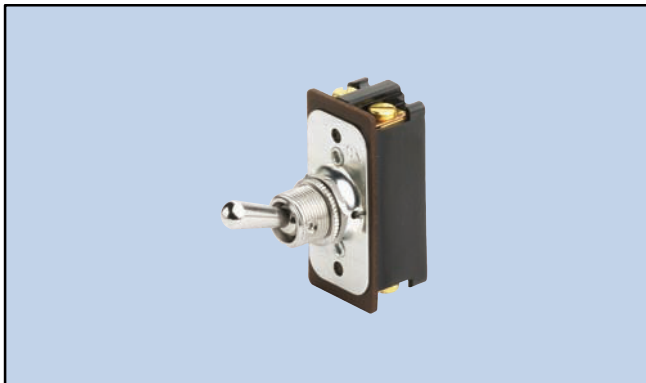
Mounting Hole: .480 (12.2)

Bat Handle



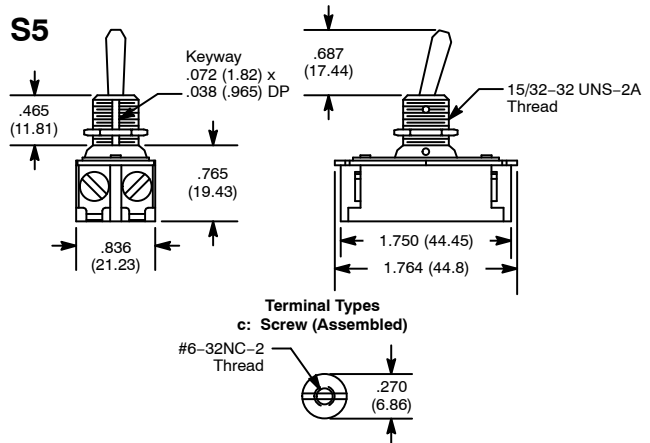
Features

- Quick Make, Quick Break Contacts
- Suitable for High Amperage AC/DC Motor Control
- Screw Terminals



NTE Type No.	Circuitry	Action			Actuator	Diag No.
54-055	DPST	ON	NONE	OFF	Brass/Nickel Plate	S5c
54-056	SPST	ON	NONE	OFF	Brass/Nickel Plate	S5c

S5



Specifications

Current Rating: 16A 125VAC, 8A 250VAC, 1 HP 125-250VAC

Insulation Resistance: 100 Megohms (min.)

Dielectric Strength: 1000V RMS (min.)

Temperature Rating: 0° to +150°F (-17.8° to +65.6°C)

Electrical Life: 25,000 cycles

Mechanical Life: 100,000 cycles

Terminal Type: Screw Type

Mounting Hole: .500 (12.7)

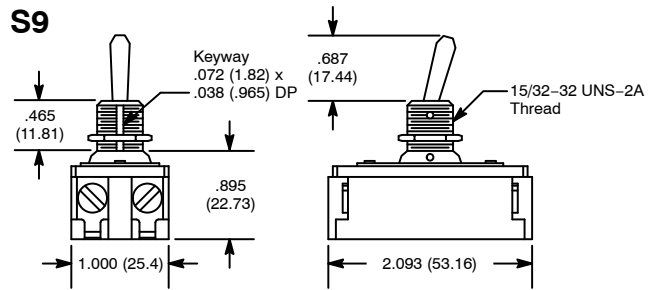
Toggle Switches

Bat Handle



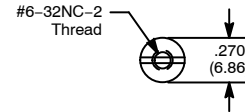
NTE Type No.	Circuitry	Action			Actuator	Diag No.
54-057	DPST	ON	NONE	OFF	Brass/Nickel Plate	S9

S9



Terminal Types

c: Screw (Assembled)



Specifications

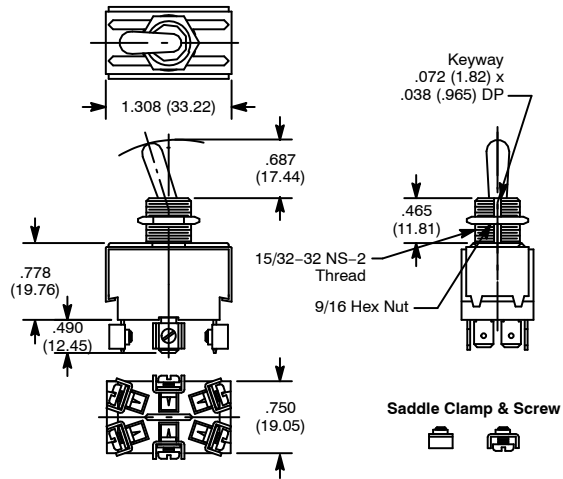
Current Rating: 20A 125VAC, 10A 250VAC, 1 1/2 HP 125-250VAC
Insulation Resistance: 100 Megohms (min.)
Dielectric Strength: 1000V RMS (min.)
Temperature Rating: 0°F to +150°F (-17.8°C to +65.6°C)
Electrical Life: 25,000 cycles
Mechanical Life: 100,000 cycles
Terminal Type: Screw Type
Mounting Hole: .500 (12.7)

Bat Handle

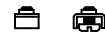


NTE Type No.	Circuitry	Action			Actuator	Diag No.
54-026	DPST	ON	NONE	OFF	Brass/Nickel Plate	S8
54-027	DPDT	ON	NONE	ON	Brass/Nickel Plate	S8
54-028	DPDT	ON	OFF	ON	Brass/Nickel Plate	S8

S8



Saddle Clamp & Screw



Specifications

Current Rating: 15A 125VAC, 10A 250VAC, 3/4 HP 125-250VAC
Insulation Resistance: 100 Megohms (min.)
Dielectric Strength: 1000V RMS (min.)
Temperature Rating: +32° to +185°F (0° to +85°C)
Electrical Life: 50,000 cycles
Mechanical Life: 100,000 cycles
Terminal Type: "3-in-1" Combi-Terminal
Mounting Hole: .500 (12.7)

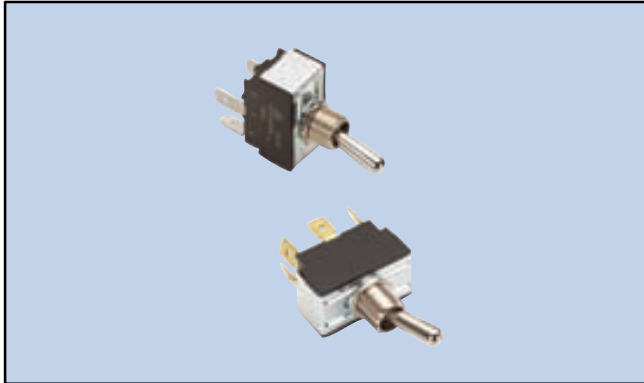
Toggle Switches

Bat Handle



Features

- Slow Make, Slow Break Contacts
- Heavy Duty AC Rated Also Suitable for Low Voltage DC Applications
- Industry Standard .500" Dia Mounting Hole
- Various Terminal Selections



NTE Type No.	Circuitry	Current Rating	Action			Actuator	Diag No.
54-003	DPDT	A	ON	NONE	ON	Brass/Nickel Plate	S4b
54-004	DPST	A	ON	NONE	OFF	Brass/Nickel Plate	S4b
54-011	DPST	A	ON	NONE	OFF	Brass/Nickel Plate	S4c
54-012	DPDT	A	ON	OFF	ON	Brass/Nickel Plate	S4b
54-013	DPDT	A	ON	OFF	ON	Brass/Nickel Plate	S4c
54-093	SPST	B	ON	NONE	OFF	Brass/Nickel Plate	S4c
54-095	SPDT	B	ON	OFF	ON	Brass/Nickel Plate	S4c
54-099	DPDT	E	ON	NONE	ON	Brass/Nickel Plate	S4c
54-100	DPDT	B	ON	OFF	ON	Brass/Nickel Plate	S4c
54-101	DPDT	C	ON	NONE	(ON)	Brass/Nickel Plate	S4a
54-103	SPST	A	(ON)	NONE	OFF	Brass/Nickel Plate	S4c
54-104	SPST	A	ON	NONE	(OFF)	Brass/Nickel Plate	S4c
54-137*	SPST	D	ON	NONE	OFF	Brass/Nickel Plate	S4a

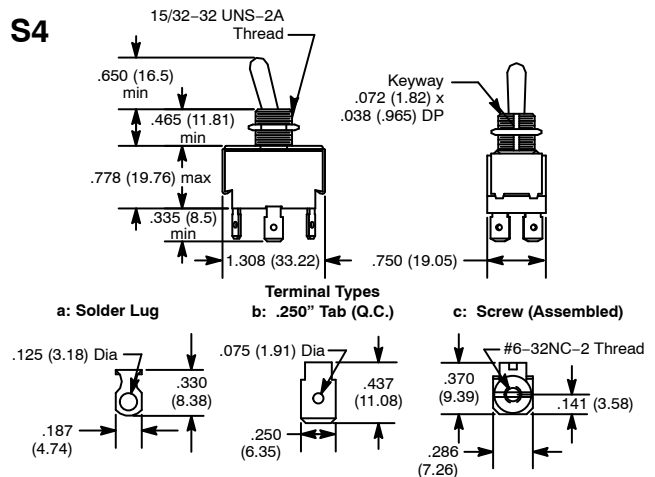
SPECIAL NOTE: () = Momentary Function
* SP in DP case.

Bat Handle



NTE Type No.	Circuitry	Action			Actuator	Diag No.
54-014	3PST	OFF	NONE	ON	Brass/Nickel Plate	S10c
54-015	3PDT	ON	OFF	ON	Brass/Nickel Plate	S10c
54-016	3PST	ON	NONE	ON	Brass/Nickel Plate	S10c
54-017	4PDT	ON	OFF	ON	Brass/Nickel Plate	S10c
54-018	4PST	OFF	NONE	ON	Brass/Nickel Plate	S10c
54-019	4PDT	ON	NONE	ON	Brass/Nickel Plate	S10c

S4



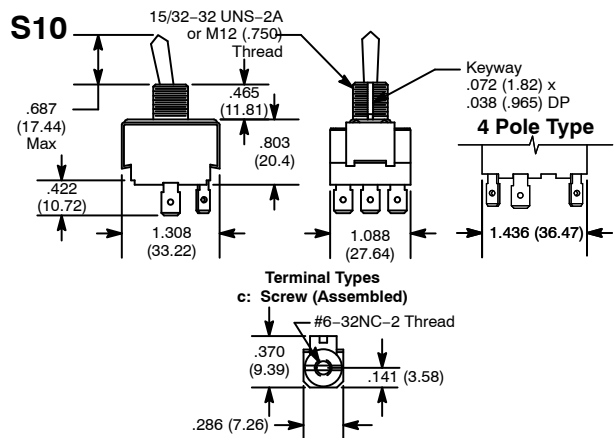
Specifications

Current Rating:

- A: 15A 125VAC, 10A 250VAC, 3/4 HP 125-250VAC
- B: 20A 125-277VAC, 1 1/2 HP 125VAC, 2 HP 250VAC
- C: 6A 125VAC, 3A 250VAC, 1/4HP 125-250VAC
- D: 20A 250VAC
- E: 10A 277VAC, 20A 125VAC, 1 1/2 HP 125-250VAC

- Insulation Resistance: 100 Megohms (min.)
- Dielectric Strength: 1000V RMS (min.), 1500V (54-099 only)
- Temperature Rating: +32° to +185°F (0° to +85°C)
- Electrical Life: 25,000 cycles
- Mechanical Life: 100,000 cycles
- Terminal Type: Refer to Diag No. in Table
- Mounting Hole: .500 (12.7)

S10



Specifications

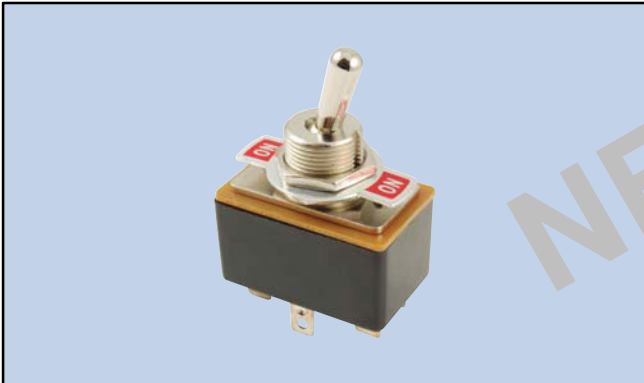
- Current Rating: 15A 125VAC, 10A 250VAC, 3/4 HP 125-250VAC, 1, 2 or 3 Phase
- Insulation Resistance: 100 Megohms (min.)
- Dielectric Strength: 1000V RMS (min.)
- Temperature Rating: 0° to +150°F (-17.8° to +65.6°C)
- Electrical Life: 50,000 cycles
- Mechanical Life: 100,000 cycles
- Terminal Type: Screw Type
- Mounting Hole: .500 (12.7) Max.

Toggle Switches

Bat Handle w/Indicator Plate

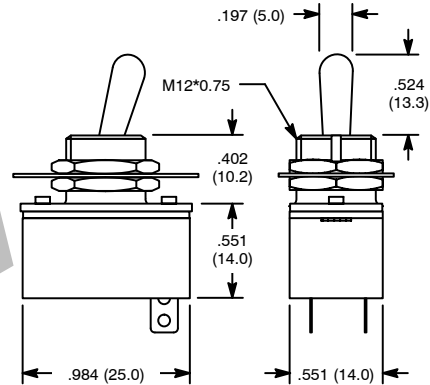
Features

- Includes Indicator Plate



NTE Type No.	Circuitry	Action			Actuator	Diag No.
54-717	SPST	OFF	NONE	ON	Copper Alloy/Ni Plate	S132
54-718	DPDT	ON	NONE	ON	Copper Alloy/Ni Plate	S132

S132



Specifications

Current Rating: 3A 125VAC, 1.5A 250VAC
Insulation Resistance: 100 Megohms (min.)
Dielectric Strength: 1000V RMS (min.)
Temperature Rating: -13° to +185°F (-25° to +85°C)
Electrical Life: 6,000 cycles
Mechanical Life: 10,000 cycles
Terminal Type: Solder Lug
Mounting Hole: .480 (12.2) Max.

Round Hole Bat Handle

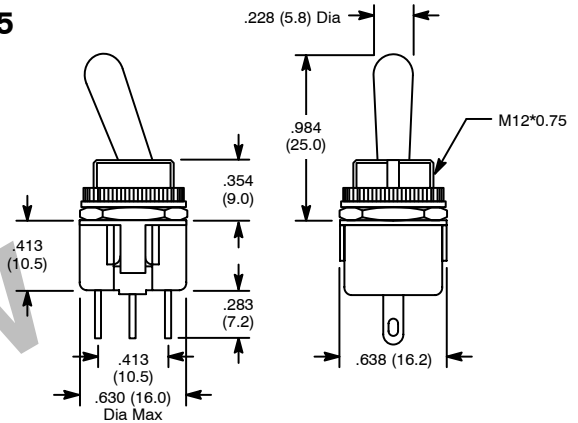
Features

- Round Hole Type
- Optional Indicator Plate, 54-928
- Optional Waterproof Boot, 54-929



NTE Type No.	Circuitry	Action			Actuator	Diag No.
54-722	SPDT	ON	NONE	ON	Nickel Plated Copper Alloy	S135

S135



Specifications

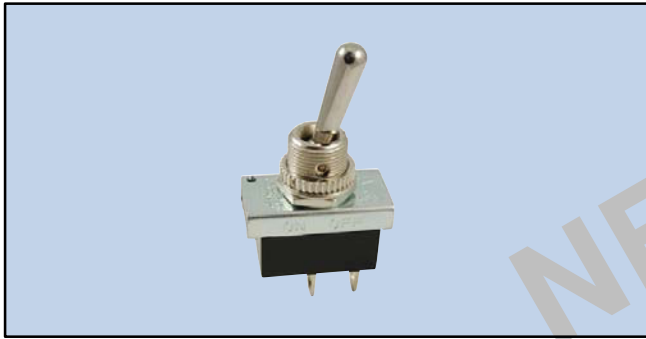
Current Rating: 6A 125VAC, 3A 250VAC
Insulation Resistance: 100 Megohms (min.)
Dielectric Strength: 1000V RMS (min.)
Temperature Rating: -4° to +185°F (-20° to +85°C)
Electrical Life: 6,000 cycles
Mechanical Life: 10,000 cycles
Terminal Type: Solder Lug
Mounting Hole: .480 (12.2) Max.

Toggle Switches

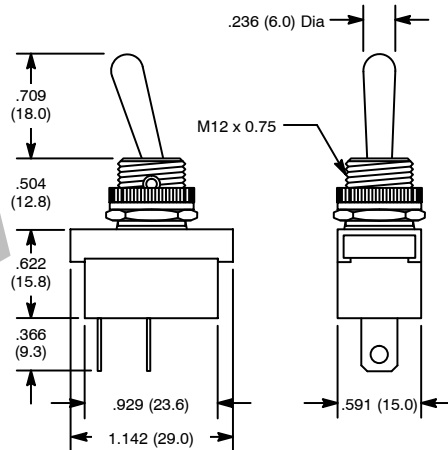
Bat Handle



S142



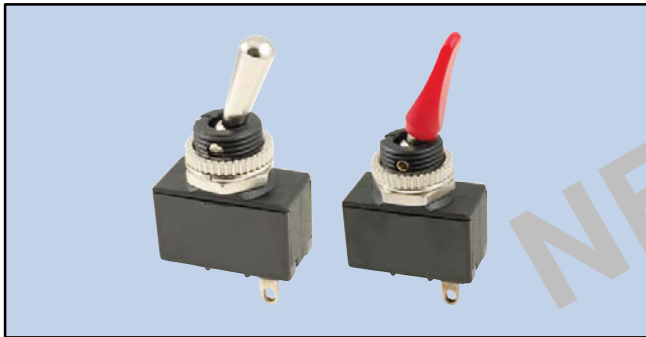
NTE Type No.	Circuitry	Action	Actuator	Diag No.
54-738	SPST	ON NONE OFF	Chrome Plated Zinc	S142



Specifications

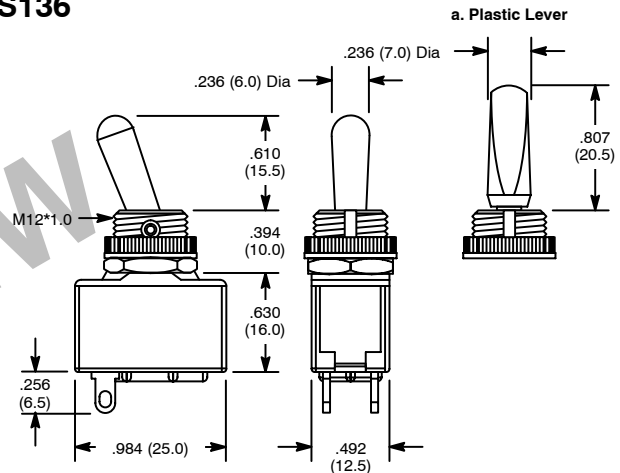
Current Rating: 10A 125VAC, 6A 250VAC
Insulation Resistance: 100 Megohms (min.) at 500VDC
Dielectric Strength: 1000V RMS (min.)
Temperature Rating: +32° to +149°F (0° to +65°C)
Electrical Life: 6,000 cycles
Mechanical Life: 10,000 cycles
Terminal Type: .250" Tab Q.C.
Mounting Hole: .480 (12.2)

Bat and Paddle Handle



NTE Type No.	Circuitry	Action	Actuator	Diag No.
54-745	SPST	ON NONE OFF	Nickel Plated Metal	S136
54-745-R	SPST	ON NONE OFF	Red ABS Resin	S136a

S136



Specifications

Current Rating: 6A 125VAC, 3A 250VAC
Insulation Resistance: 100 Megohms (min.) at 500VDC
Dielectric Strength: 1500V RMS (min.)
Temperature Rating: -4° to +185°F (-20° to +85°C)
Electrical Life: 6,000 cycles
Mechanical Life: 10,000 cycles
Terminal Type: Solder Lug
Mounting Hole: .472 (12.0)

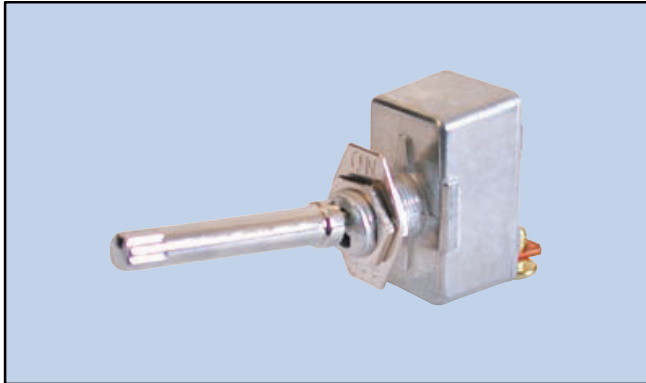
Toggle Switches

Long Bat Handle



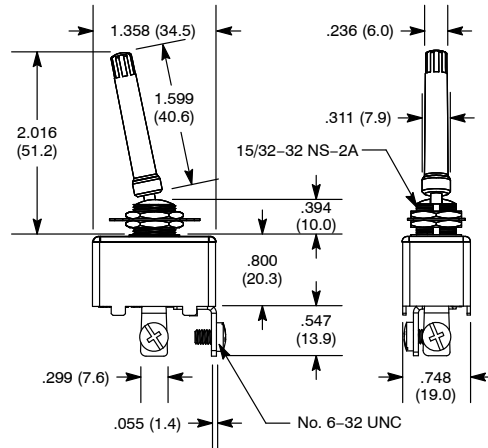
Features

- 50 Amps at 12VDC
- 1 5/8" Long Bat Handle
- Screw Terminals



NTE Type No.	Circuitry	Action			Actuator	Diag No.
54-564	SPST	ON	NONE	OFF	Chrome Plated	S29

S29



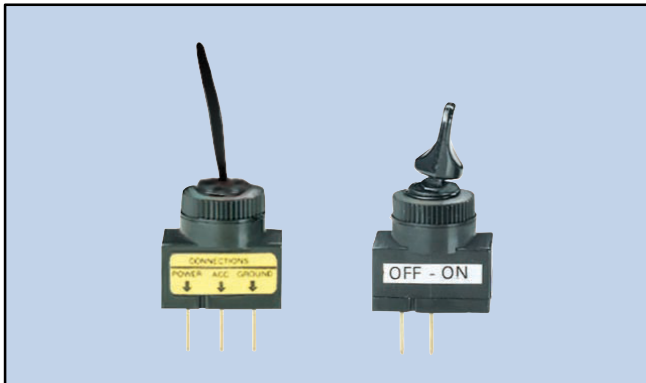
Specifications

Current Rating: 50A 12VDC
Insulation Resistance: 100 Megohms (min.) at 500VDC
Dielectric Strength: 1500V RMS (min.)
Temperature Rating: -4° to +180°F (-20° to +85°C)
Electrical Life: 25,000 cycles
Mechanical Life: 100,000 cycles
Terminal Type: Screw Type
Mounting Hole: .500 (12.7)

ON/OFF Bat Handle and Duckbill

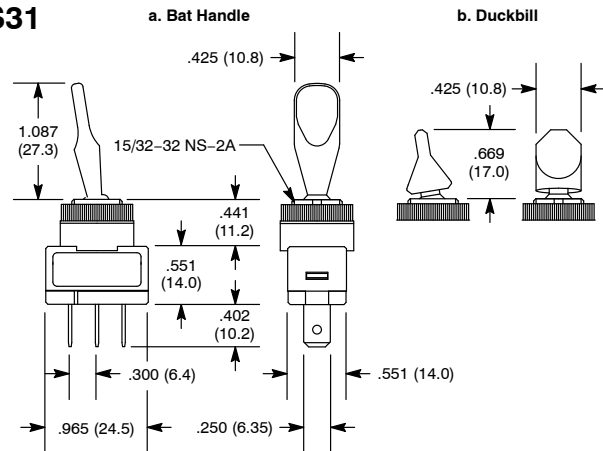
Features

- Illuminated Types Available on Page 161
- Bat Handle (54-566, 54-571-2) and Duckbill (54-571) Types
- .250" Quick-Connect Terminals



NTE Type No.	Circuitry	Action			Actuator	Diag No.
54-566	SPST	ON	NONE	OFF	Black Brushed Aluminum	S31a
54-571	SPST	ON	NONE	OFF		S31b
54-571-2	SPDT	ON	OFF	ON		S31a

S31



Specifications

Current Rating: 20A 12VDC
Insulation Resistance: 100 Megohms (min.) at 500VDC
Dielectric Strength: 1000V RMS (min.)
Temperature Rating: -4° to +180°F (-20° to +85°C)
Electrical Life: 25,000 cycles
Mechanical Life: 100,000 cycles
Terminal Type: .250" Tab Q.C.
Mounting Hole: .500 (12.7)

Toggle Switches

Bat Handle, Subminiature

Features

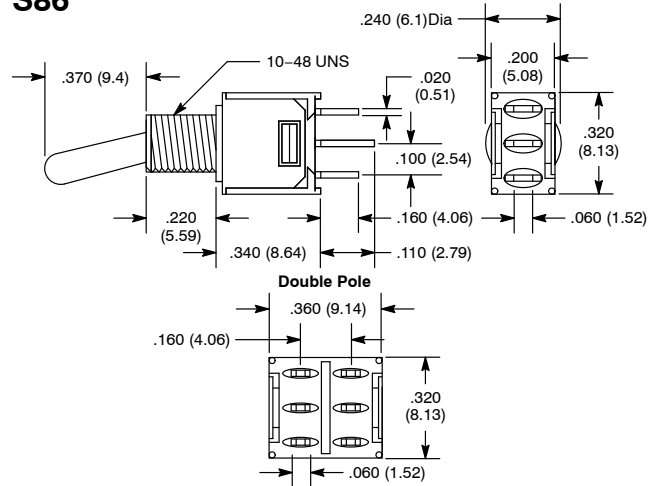
- Single and Double Pole Types
- Epoxy Sealed Terminals



NTE Type No.	Circuitry	Action			Actuator	Diag No.
54-140	SPST	ON	NONE	OFF	Chrome Plated Brass	S86
54-141	SPDT	ON	NONE	ON	Chrome Plated Brass	S86
54-142	DPDT	ON	NONE	ON	Chrome Plated Brass	S86

SPECIAL NOTE: () = Momentary Function

S86



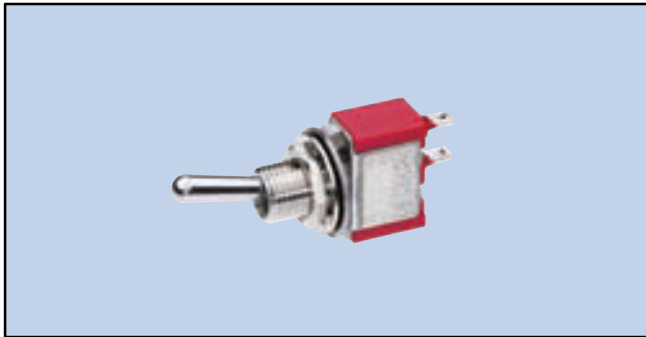
Specifications

Current Rating: 3A 120VAC or 28VDC, 1.5A 250VAC
Insulation Resistance: 1000 Megohms (min.)
Dielectric Strength: 1500V RMS (min.)
Temperature Rating: -22° to +185°F (-30° to +85°C)
Electrical Life: 30,000 cycles (min.)
Terminal Type: Solder Lug
Mounting Hole: .192 (4.9)

Bat Handle, Subminiature

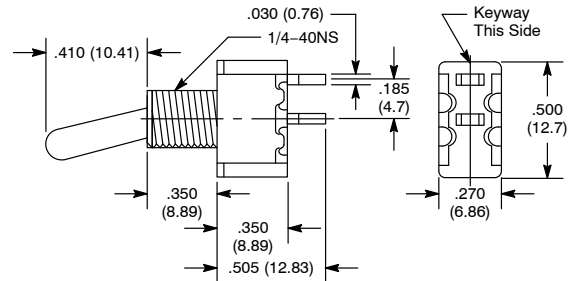
Features

- Epoxy Sealed Terminals



NTE Type No.	Circuitry	Action			Actuator	Diag No.
54-395	SPST	ON	NONE	OFF	Chrome Plated Brass	S95

S95



Specifications

Current Rating: 5A 120VAC or 28VDC, 2A 250VAC
Insulation Resistance: 1000 Megohms (min.)
Dielectric Strength: 1000V RMS (min.)
Temperature Rating: -22° to +266°F (-30° to +130°C)
Electrical Life: 50,000 cycles (min.)
Terminal Type: Solder Lug
Mounting Hole: .250 (6.35)

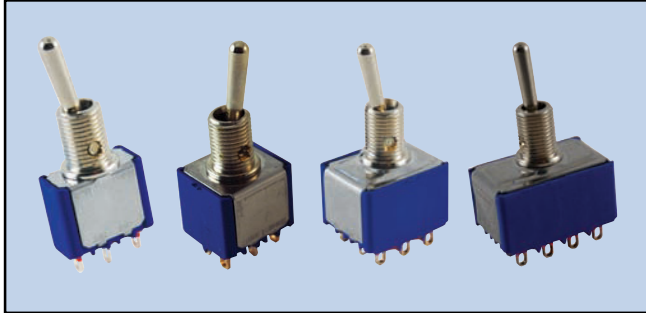
Toggle Switches

Mini Bat Handle

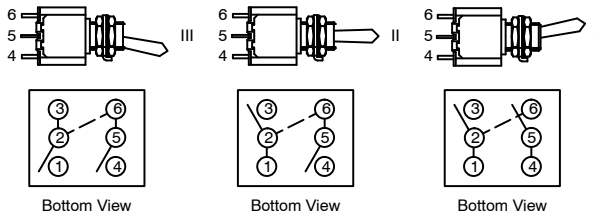


Features

- SP, DP, 3P & 4P Types
- Epoxy Sealed Terminals
- Typical Applications Include: Switching Power Supplies, DC-DC Converters, Motors, etc.



Wiring Diagram (54-306 Only)



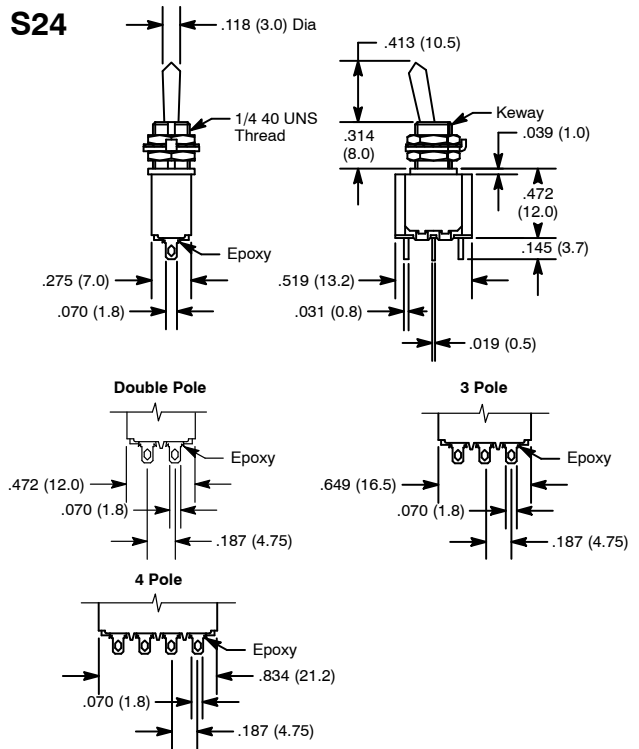
Equivalent to single pole 3 throw switch. Dotted line between terminals 2 & 6 indicate external jumpers to be added by customer.

NTE Type No.	Circuitry	Action			Actuator	Diag No.
54-301	SPDT	ON	NONE	(ON)	Chrome Plated Brass	S24
54-302	SPDT	ON	NONE	ON	Chrome Plated Brass	S24
54-303	SPDT	ON	OFF	ON	Chrome Plated Brass	S24
54-304	SPDT	ON	OFF	(ON)	Chrome Plated Brass	S24
54-305	SPDT	(ON)	OFF	(ON)	Chrome Plated Brass	S24
54-306*	SP3T	ON	ON	ON	Chrome Plated Brass	S24
54-307	DPDT	ON	NONE	ON	Chrome Plated Brass	S24
54-308	DPDT	ON	OFF	ON	Chrome Plated Brass	S24
54-309	DPDT	ON	NONE	(ON)	Chrome Plated Brass	S24
54-310	DPDT	ON	OFF	(ON)	Chrome Plated Brass	S24
54-312	4PDT	ON	NONE	ON	Chrome Plated Brass	S24
54-313	4PDT	ON	OFF	ON	Chrome Plated Brass	S24
54-314	4PDT	(ON)	OFF	(ON)	Chrome Plated Brass	S24
54-315	4PDT	ON	OFF	(ON)	Chrome Plated Brass	S24
54-316	4PDT	ON	NONE	(ON)	Chrome Plated Brass	S24
54-323	3PDT	ON	NONE	ON	Chrome Plated Brass	S24
54-324	3PDT	ON	OFF	ON	Chrome Plated Brass	S24
54-325	3PDT	(ON)	OFF	(ON)	Chrome Plated Brass	S24
54-326	3PDT	ON	OFF	(ON)	Chrome Plated Brass	S24
54-327	3PDT	ON	NONE	(ON)	Chrome Plated Brass	S24

SPECIAL NOTE: () = Momentary Function

* SP in DP case.

S24



Specifications

- Current Rating:** 6A 125VAC, 3A 250VAC or 4A 30VDC
- Insulation Resistance:** 1000 Megohms (min.) at 500VDC
- Dielectric Strength:** 1000V RMS (min.) between terminals
- Temperature Rating:** -40° to +185°F (-40° to +85°C)
- Electrical Life:** 50,000 cycles (min.)
40,000 cycles (min.) **3 Pole Only**
30,000 cycles (min.) **4 Pole Only**
- Terminal Type:** Refer to Diag No. in Table
- Mounting Hole:** .255 (6.5)

For Economy Versions, see page 153.

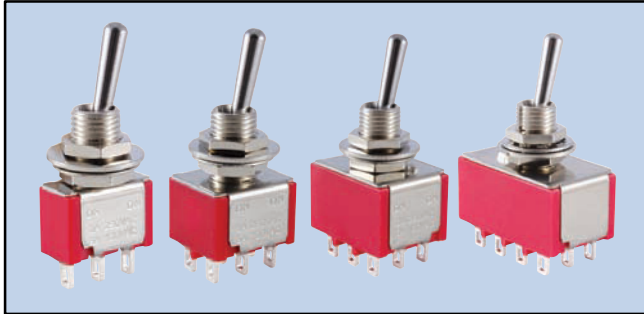
Toggle Switches

Mini Bat Handle



Features

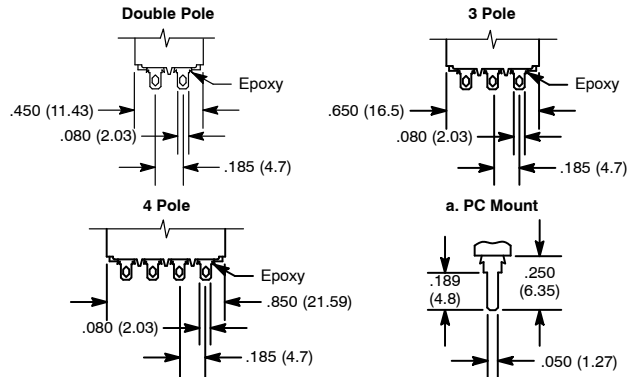
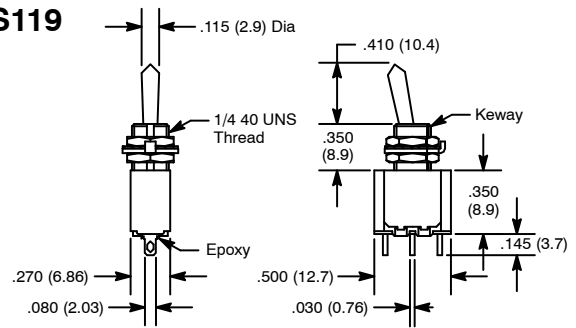
- Economy Series
- SP, DP, 3P & 4P Types
- PC Terminal Types Available (PC suffix)
- Epoxy Sealed Terminals
- Typical Applications Include: Switching Power Supplies, DC-DC Converters, Motors, etc.



NTE Type No.	Circuitry	Action			Actuator	Diag No.
54-301E	SPDT	ON	NONE	(ON)	Chrome Plated Brass	S119
54-301PC	SPDT	ON	NONE	(ON)	Chrome Plated Brass	S119a
54-302E	SPDT	ON	NONE	ON	Chrome Plated Brass	S119
54-302PC	SPDT	ON	NONE	ON	Chrome Plated Brass	S119a
54-303E	SPDT	ON	OFF	ON	Chrome Plated Brass	S119
54-303PC	SPDT	ON	OFF	ON	Chrome Plated Brass	S119a
54-304E	SPDT	ON	OFF	(ON)	Chrome Plated Brass	S119
54-304PC	SPDT	ON	OFF	(ON)	Chrome Plated Brass	S119a
54-305E	SPDT	(ON)	OFF	(ON)	Chrome Plated Brass	S119
54-305PC	SPDT	(ON)	OFF	(ON)	Chrome Plated Brass	S119a
54-307E	DPDT	ON	NONE	ON	Chrome Plated Brass	S119
54-307PC	DPDT	ON	NONE	ON	Chrome Plated Brass	S119a
54-308E	DPDT	ON	OFF	ON	Chrome Plated Brass	S119
54-308PC	DPDT	ON	OFF	ON	Chrome Plated Brass	S119a
54-309E	DPDT	ON	NONE	(ON)	Chrome Plated Brass	S119
54-309PC	DPDT	ON	NONE	(ON)	Chrome Plated Brass	S119a
54-310E	DPDT	ON	OFF	(ON)	Chrome Plated Brass	S119
54-310PC	DPDT	ON	OFF	(ON)	Chrome Plated Brass	S119a
54-311E	DPDT	(ON)	OFF	(ON)	Chrome Plated Brass	S119
54-311PC	DPDT	(ON)	OFF	(ON)	Chrome Plated Brass	S119a
54-323E	3PDT	ON	NONE	ON	Chrome Plated Brass	S119
54-323PC	3PDT	ON	NONE	ON	Chrome Plated Brass	S119a
54-324E	3PDT	ON	OFF	ON	Chrome Plated Brass	S119
54-324PC	3PDT	ON	OFF	ON	Chrome Plated Brass	S119a
54-327PC	3PDT	ON	NONE	(ON)	Chrome Plated Brass	S119a
54-312E	4PDT	ON	NONE	ON	Chrome Plated Brass	S119
54-312PC	4PDT	ON	NONE	ON	Chrome Plated Brass	S119a
54-313E	4PDT	ON	OFF	ON	Chrome Plated Brass	S119
54-313PC	4PDT	ON	OFF	ON	Chrome Plated Brass	S119a
54-316PC	4PDT	ON	NONE	(ON)	Chrome Plated Brass	S119a

SPECIAL NOTE: () = Momentary Function

S119



Specifications

- Current Rating:** 5A 120VAC or 28VDC, 2A 250VAC
- Insulation Resistance:** 1000 Megohms (min.)
- Dielectric Strength:** 1000V RMS (min.)
- Temperature Rating:** -22° to +185°F (-30° to +85°C)
- Electrical Life:** 50,000 cycles (min.) at full load
- Terminal Type:** Refer to Diag No. in Table
- Mounting Hole:** .250 (6.35)

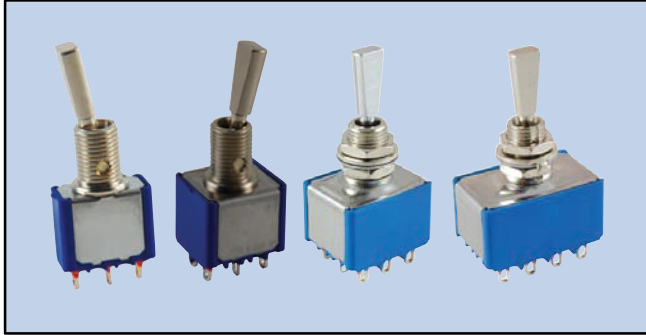
Toggle Switches

Flatted Handle Mini



Features

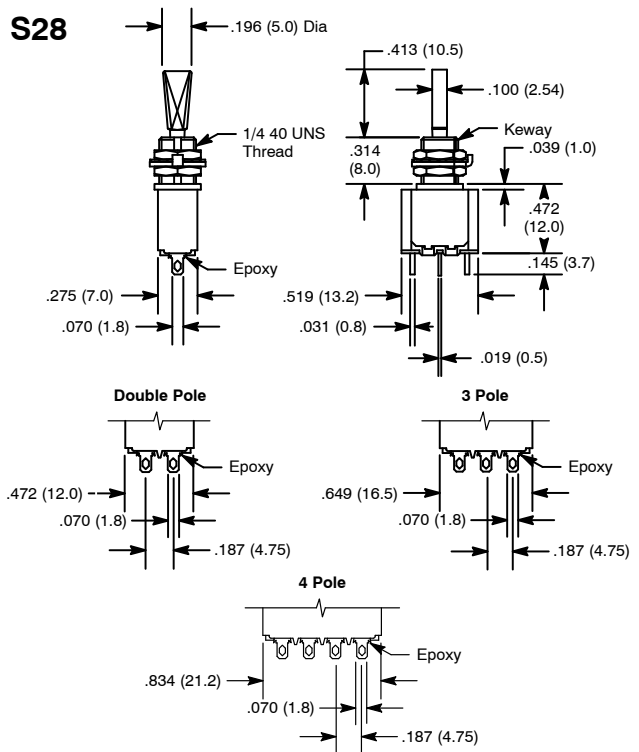
- SP, DP, 3P & 4P Types
- Epoxy Sealed Terminals
- Typical Applications Include: Switching Power Supplies, DC-DC Converters, Motors, etc.



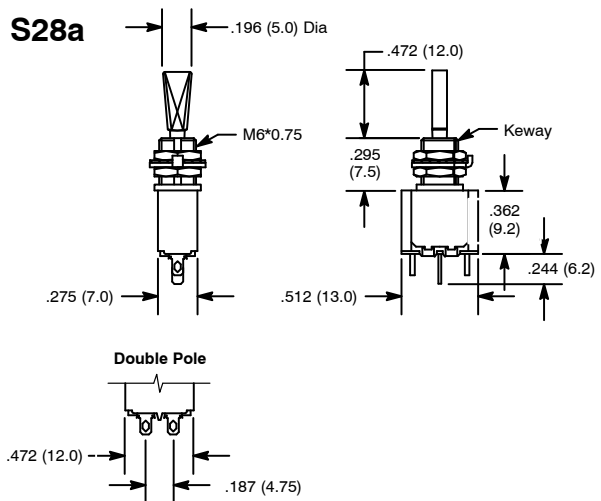
NTE Type No.	Circuitry	Action			Actuator	Diag No.
54-328	SPDT	ON	NONE	ON	Chrome Plated Brass	S28a
54-329	SPDT	ON	OFF	ON	Chrome Plated Brass	S28a
54-330	SPDT	(ON)	OFF	(ON)	Chrome Plated Brass	S28a
54-331	SPDT	ON	OFF	(ON)	Chrome Plated Brass	S28a
54-332	SPDT	ON	NONE	(ON)	Chrome Plated Brass	S28a
54-333	DPDT	ON	NONE	ON	Chrome Plated Brass	S28
54-334	DPDT	ON	OFF	ON	Chrome Plated Brass	S28a
54-335	DPDT	(ON)	OFF	(ON)	Chrome Plated Brass	S28
54-336	DPDT	ON	OFF	(ON)	Chrome Plated Brass	S28a
54-337	DPDT	ON	NONE	(ON)	Chrome Plated Brass	S28a
54-339	3PDT	ON	OFF	ON	Chrome Plated Brass	S28
54-340	3PDT	(ON)	OFF	(ON)	Chrome Plated Brass	S28
54-341	3PDT	ON	OFF	(ON)	Chrome Plated Brass	S28
54-342	3PDT	ON	NONE	(ON)	Chrome Plated Brass	S28
54-344	4PDT	ON	OFF	ON	Chrome Plated Brass	S28
54-345	4PDT	(ON)	OFF	(ON)	Chrome Plated Brass	S28
54-346	4PDT	ON	OFF	(ON)	Chrome Plated Brass	S28
54-347	4PDT	ON	NONE	(ON)	Chrome Plated Brass	S28

SPECIAL NOTE: () = Momentary Function

S28



S28a



Specifications

- Current Rating:** 6A 125VAC, 3A 250VAC or 4A 30VDC
- Insulation Resistance:** 1000 Megohms (min.) at 500VDC
- Dielectric Strength:** 1000V RMS (min.) between terminals
- Temperature Rating:** -40° to +185°F (-40° to +85°C)
- Electrical Life:** 50,000 cycles (min.)
40,000 cycles (min.) **3 Pole Only**
30,000 cycles (min.) **4 Pole Only**
- Terminal Type:** Solder Lug
- Mounting Hole:** .255 (6.5)

Toggle Switches

Nylon Paddle



Features

- Nylon Insulated Toggle
- Self-Cleaning Wiping Contacts
- Industry Standard .500" Dia Mounting Hole
- Support Double Insulated Requirements



NTE Type No.	Circuitry	Action			Actuator	Diag No.
54-020	SPST	OFF	NONE	ON	Black Nylon	S6b
54-021	SPDT	ON	NONE	ON	Black Nylon	S6b
54-022	SPDT	ON	OFF	ON	Black Nylon	S6b

Nylon Paddle



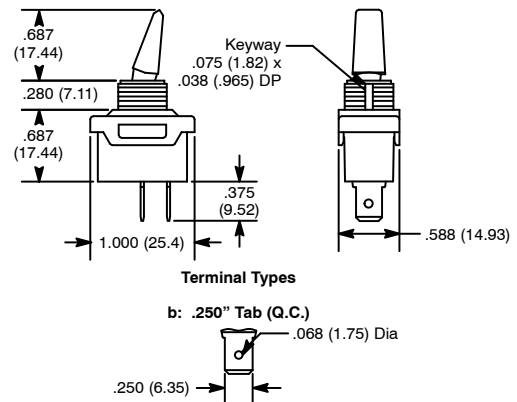
Features

- Slow Make, Slow Break Contacts
- Heavy Duty AC Rated Also Suitable for Low Voltage DC Applications
- Industry Standard .500" Dia Mounting Hole



NTE Type No.	Circuitry	Action			Actuator	Diag No.
54-110	SPST	ON	NONE	OFF	Black Polycarbonate	S7c
54-111	SPDT	ON	NONE	ON	Black Polycarbonate	S7c
54-119	SPDT	ON	OFF	ON	Black Polycarbonate	S7b
54-107	DPST	ON	NONE	OFF	Black Polycarbonate	S7b
54-112	DPST	ON	NONE	OFF	Black Polycarbonate	S7c
54-084	DPDT	ON	NONE	ON	Black Polycarbonate	S7a
54-085	DPDT	ON	OFF	ON	Black Polycarbonate	S7a
54-108	DPDT	ON	NONE	ON	Black Polycarbonate	S7b
54-109	DPDT	ON	OFF	ON	Black Polycarbonate	S7b
54-120	DPDT	ON	OFF	ON	Black Polycarbonate	S7c

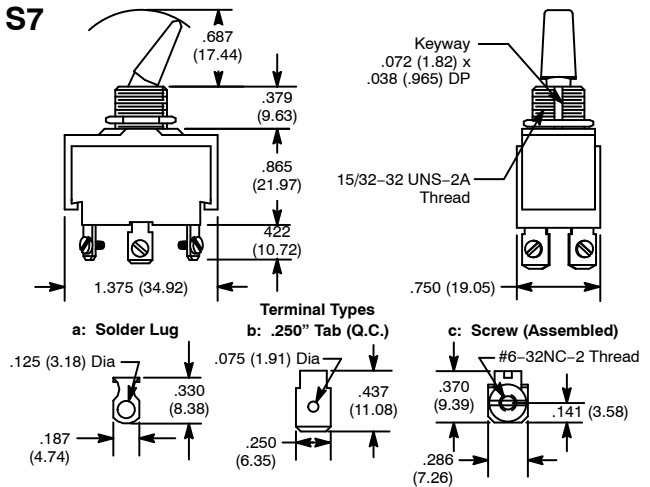
S6



Specifications

Current Rating: 20A 125VAC, 10A 250VAC, 1 1/2 HP 125-250VAC
Insulation Resistance: 100 Megohms (min.)
Dielectric Strength: 1000V RMS (min.)
Temperature Rating: +32° to +185°F (0° to +85°C)
Electrical Life: 25,000 cycles
Mechanical Life: 100,000 cycles
Terminal Type: .250" Tab Q.C.
Mounting Hole: .500 (12.7)

S7



Specifications

Current Rating:
54-084 & 54-085: 6A 125VAC, 3A 250VAC, 1/4 HP 125-250VAC
All Other Devices: 20A 125-277VAC, 1 1/2 HP 125VAC, 2 HP 250VAC
Insulation Resistance: 100 Megohms (min.)
Dielectric Strength: 1000V RMS (min.)
Temperature Rating: +32° to +185°F (0° to +85°C)
Electrical Life: 50,000 cycles
Mechanical Life: 100,000 cycles
Terminal Type: Refer to Diag No. in Table
Mounting Hole: .500 (12.7)

Toggle Switches

Nylon Paddle



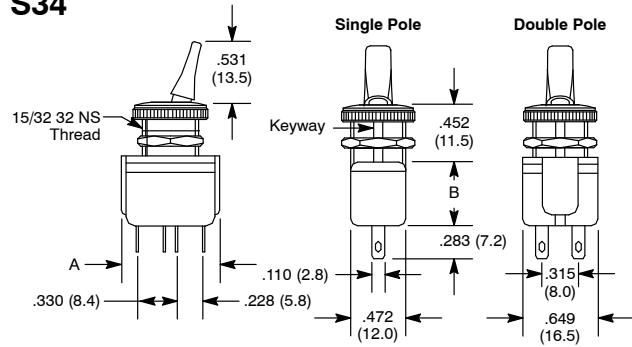
Features

- Quick Connect Terminals
- Insulated Actuator



NTE Type No.	Circuitry	Action			Actuator	Diag No.
54-317	SPDT	ON	NONE	ON	Black Polyamide 6-6	S34
54-318	SPDT	ON	OFF	ON	Black Polyamide 6-6	S34
54-319	SPST	ON	NONE	OFF	Black Polyamide 6-6	S34
54-320	DPST	ON	NONE	OFF	Black Polyamide 6-6	S34
54-321	DPDT	ON	NONE	ON	Black Polyamide 6-6	S34
54-322	DPDT	ON	OFF	ON	Black Polyamide 6-6	S34

S34



Device Type	A	B
Single Pole	.748 (19.0)	.551 (14.0)
Double Pole	.826 (21.0)	.590 (15.0)

Specifications

Current Rating: 6A 125VAC, 4A 250VAC
Insulation Resistance: 1000 Megohms (min.) at 500VDC
Dielectric Strength: 2000V RMS (min.) between terminals
Temperature Rating: -4° to +131°F (-20° to +55°C)
Electrical Life: 10,000 cycles (min.)
Terminal Type: Solder Lug/Quick Connect
Mounting Hole: .492 (12.5)

Nylon Paddle



Features

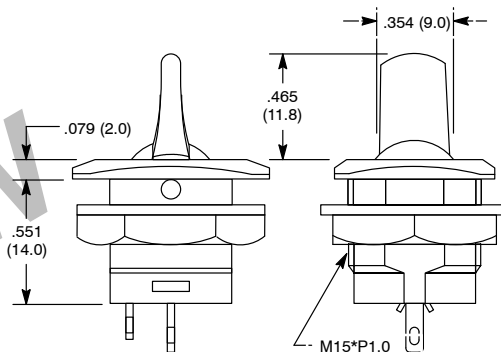
- Solder Lug Terminals



NTE Type No.	Circuitry	Action			Actuator	Diag No.
54-723	SPDT	ON	NONE	ON	Black Nylon	S129
54-724	SPST	OFF	NONE	ON	Black Nylon	S129
54-725	SPDT	ON	OFF	ON	Black Nylon	S129
54-726	SPDT	(ON)	NONE	ON	Black Nylon	S129

SPECIAL NOTE: () = Momentary Function

S129



Specifications

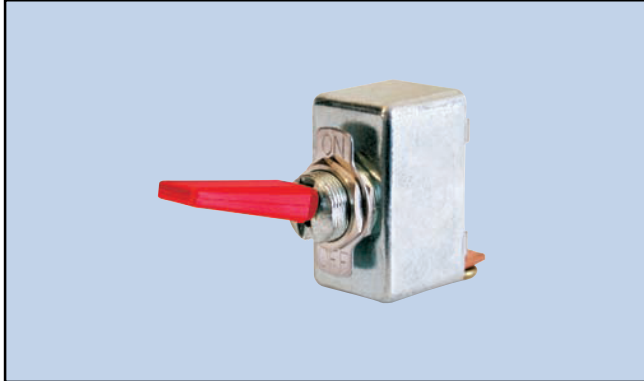
Current Rating: 6A 125VAC, 3A 250VAC
Insulation Resistance: 100 Megohms (min.) at 500VDC
Dielectric Strength: 1000V RMS (min.)
Temperature Rating: +32° to +149°F (0° to +65°C)
Electrical Life: 6,000 cycles
Mechanical Life: 10,000 cycles
Terminal Type: Solder Lug
Mounting Hole: .590 (15.0)

Toggle Switches

Paddle Handle

Features

- 50 Amps at 12VDC
- Suitable for Low Voltage, High Amperage Applications
- Screw Terminals



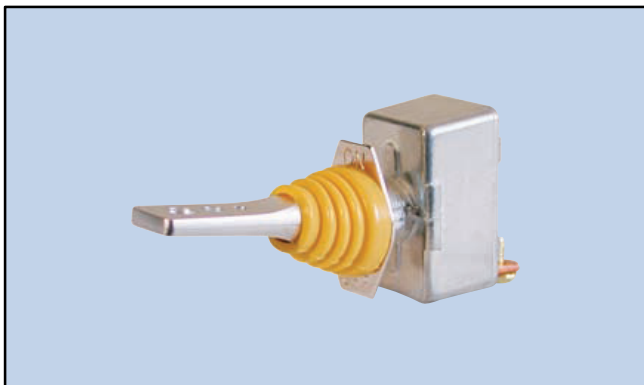
NTE Type No.	Circuitry	Action			Actuator		Diag No.
					Material	Color	
54-560	SPST	ON	NONE	OFF	ABS	Black	S26
54-561	SPST	ON	NONE	OFF		Red	S26
54-562	SPST	ON	NONE	OFF	ABS w/Chrome Plating	Chrome	S26

Paddle Handle



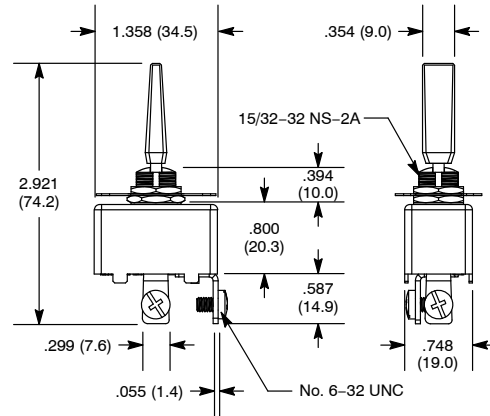
Features

- 50 Amps at 12VDC
- Interchangeable Boots (Red, Black, Yellow and Blue) Included
- Screw Terminals



NTE Type No.	Circuitry	Action			Actuator	Diag No.

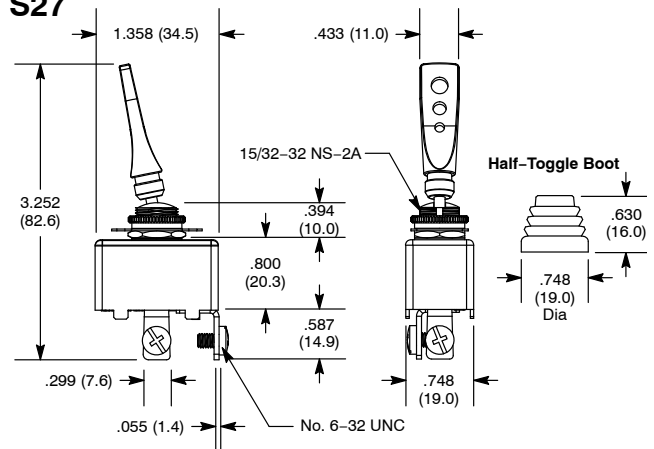
S26



Specifications

Current Rating: 50A 12VDC
Insulation Resistance: 100 Megohms (min.) at 500VDC
Dielectric Strength: 1500V RMS (min.)
Temperature Rating: -4° to +180°F (-20° to +85°C)
Electrical Life: 25,000 cycles
Mechanical Life: 100,000 cycles
Terminal Type: Screw Type
Mounting Hole: .500 (12.7)

S27



Specifications

Current Rating: 50A 12VDC
Insulation Resistance: 100 Megohms (min.) at 500VDC
Dielectric Strength: 1500V RMS (min.)
Temperature Rating: -4° to +180°F (-20° to +85°C)
Electrical Life: 25,000 cycles
Mechanical Life: 100,000 cycles
Terminal Type: Screw Type
Mounting Hole: .500 (12.7)

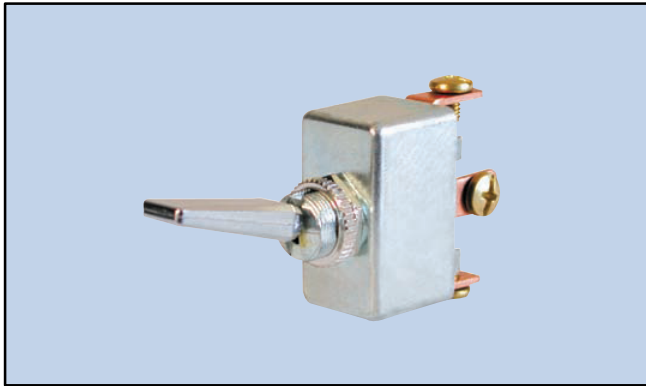
Toggle Switches

Paddle Handle



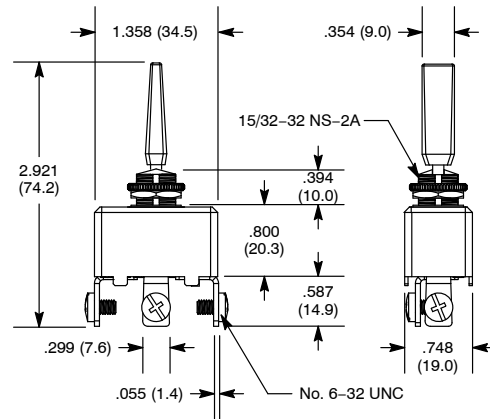
Features

- 50 Amps at 12VDC
- Screw Terminals



NTE Type No.	Circuitry	Action			Actuator	Diag No.
54-565	SPDT	ON	OFF	ON	Chrome Plated	S29

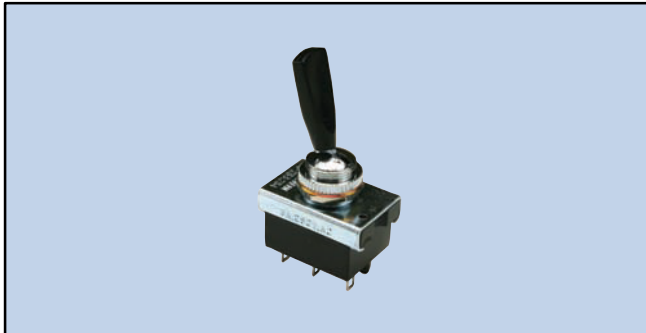
S30



Specifications

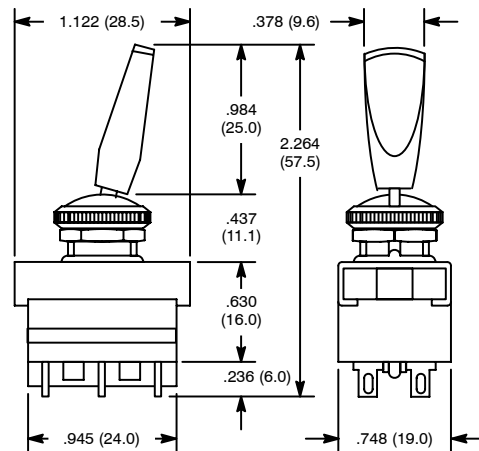
Current Rating: 50A 12VDC
Insulation Resistance: 100 Megohms (min.) at 500VDC
Dielectric Strength: 1500V RMS (min.)
Temperature Rating: -4° to +180°F (-20° to +85°C)
Electrical Life: 25,000 cycles
Mechanical Life: 100,000 cycles
Terminal Type: Screw Type
Mounting Hole: .500 (12.7)

Paddle Handle



NTE Type No.	Circuitry	Action			Actuator	Diag No.
54-381	DPDT	ON	OFF	ON	Black ABS Resin	S69

S69



Specifications

Current Rating: 6A 250VAC
Insulation Resistance: 100 Megohms (min.) at 500VDC
Dielectric Strength: 1500V RMS (min.)
Temperature Rating: +14° to +131°F (-10° to +55°C)
Electrical Life: 6,000 cycles
Mechanical Life: 30,000 cycles
Terminal Type: Solder Lug
Mounting Hole: .472 (12.0)

Toggle Switches

Paddle Handle

Features

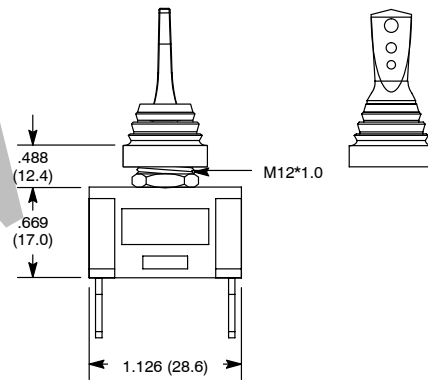
- Plastic Lever with Waterproof Boot



NTE Type No.	Circuitry	Action			Actuator	Diag No.
54-713	SPST	OFF	NONE	ON	Nickel Plated Brass	S132a

S132

a. Waterproof Boot



Specifications

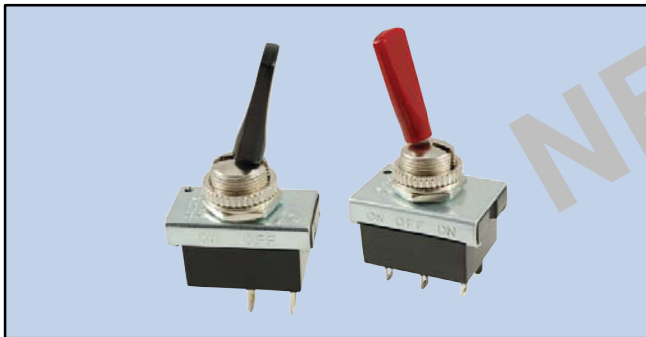
Current Rating: 10A 125VAC; 6A 250VAC
Insulation Resistance: 100 Megohms (min.) at 500VDC
Dielectric Strength: 1500V RMS (min.)
Temperature Rating: -4° to +180°F (-20° to +85°C)
Electrical Life: 6,000 cycles
Mechanical Life: 10,000 cycles
Terminal Type: .250" Tab Q.C.
Mounting Hole: .480 (12.2)

Paddle Handle



Features

- Optional Indicator Plates Available:
 54-925 Plate for 54-727
 54-926 Plate for 54-728
 54-927 Plate for 54-729 and 54-730

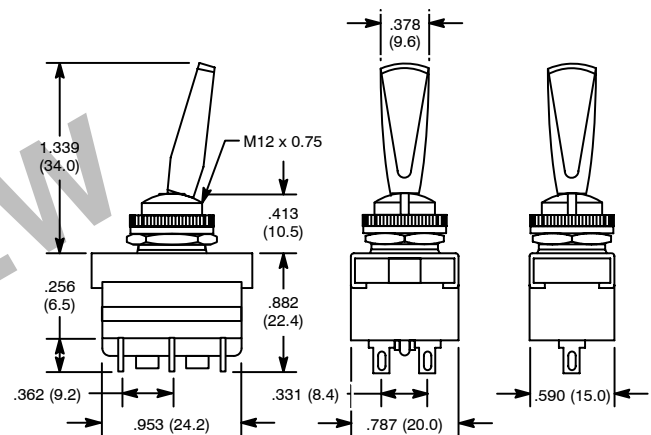


NTE Type No.	Circuitry	Action			Actuator	Diag No.
54-727	SPST	ON	NONE	OFF	Black ABS Resin	S133b
54-728	DPDT	ON	NONE	ON	Black ABS Resin	S133a
54-729	DPDT	ON	OFF	ON	Red ABS Resin	S133a
54-730	SPDT	ON	OFF	ON	Black ABS Resin	S133b

S133

a. DPDT

b. SPDT



Specifications

Current Rating: 10A 125VAC; 6A 250VAC
Insulation Resistance: 100 Megohms (min.) at 500VDC
Dielectric Strength: 1000V RMS (min.)
Temperature Rating: +32° to +149°F (0° to +65°C)
Electrical Life: 6,000 cycles
Mechanical Life: 10,000 cycles
Terminal Type: Solder Lug
Mounting Hole: .480 (12.2)

Toggle Switches

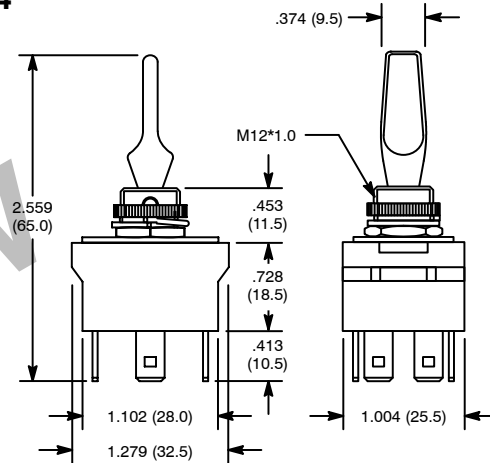
Paddle Handle



NTE Type No.	Circuitry	Action			Actuator	Diag No.
54-731	DPDT	(ON)	OFF	(ON)	Black ABS Resin	S134
54-732	DPDT	ON	OFF	ON	Black ABS Resin	S134

SPECIAL NOTE: () = Momentary Function

S134



Specifications

- Current Rating:** 20A 12VDC
- Insulation Resistance:** 100 Megohms (min.) at 500VDC
- Dielectric Strength:** 1500V RMS (min.)
- Temperature Rating:** +32° to +149°F (0° to +65°C)
- Electrical Life:** 6,000 cycles
- Mechanical Life:** 10,000 cycles
- Terminal Type:** .250" Tab Q.C.
- Mounting Hole:** .480 (12.2)