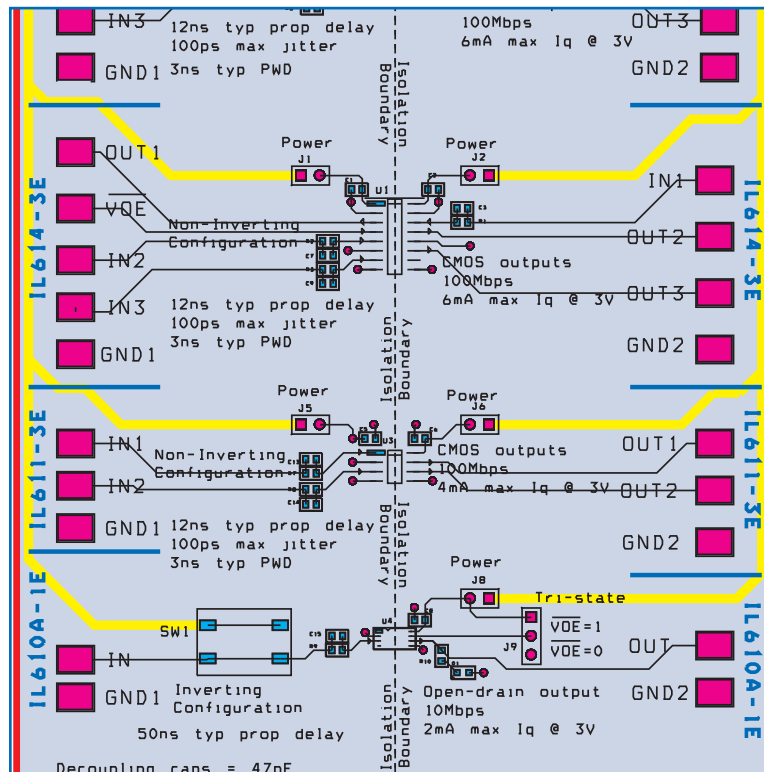


# IsoLoop<sup>®</sup>

## IL600-Series Isolator Evaluation Board



Board No.: IL600-01

# About This Evaluation Board

The IL600-Series Isolator evaluation board lets you try a variety of NVE's unique IL600-Series Isolators.

The board has four isolators in four package types:

- IL613E (wide-body SOIC-16)
- IL614-3E (narrow-body SOIC-16)
- IL611-3E (SOIC-8)
- Open-drain IL610A-1E (MSOP-8)

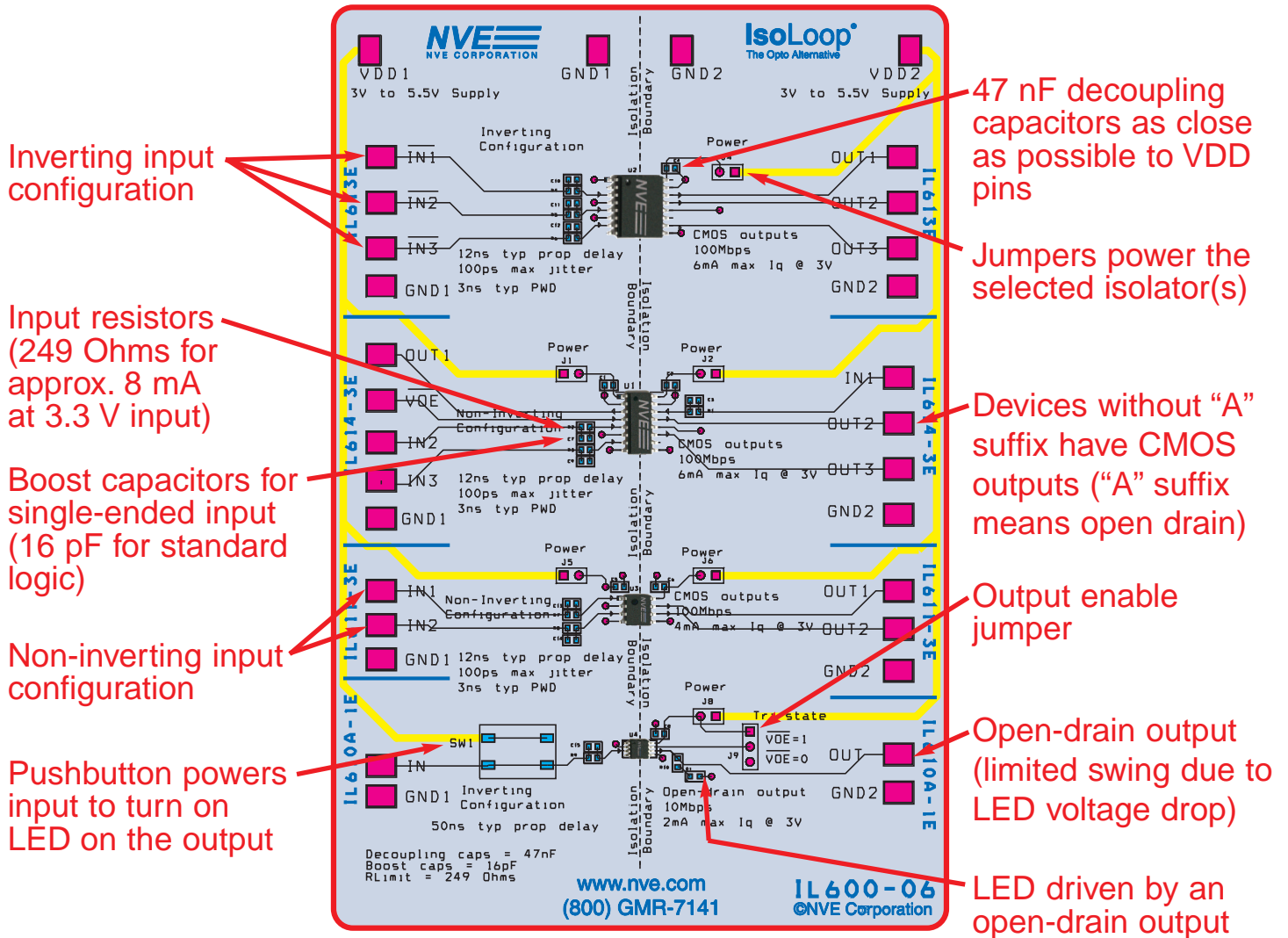
A pushbutton and LED demonstrate the remarkable flexibility of these devices.

Award-winning IL600 and IL600A Isolators provide unique passive inputs for flexibility similar to LED-input optocouplers but with better performance and higher package density. The devices are manufactured with NVE's patented IsoLoop spintronic Giant Magnetoresistive (GMR) technology for small size, high speed, and low power.

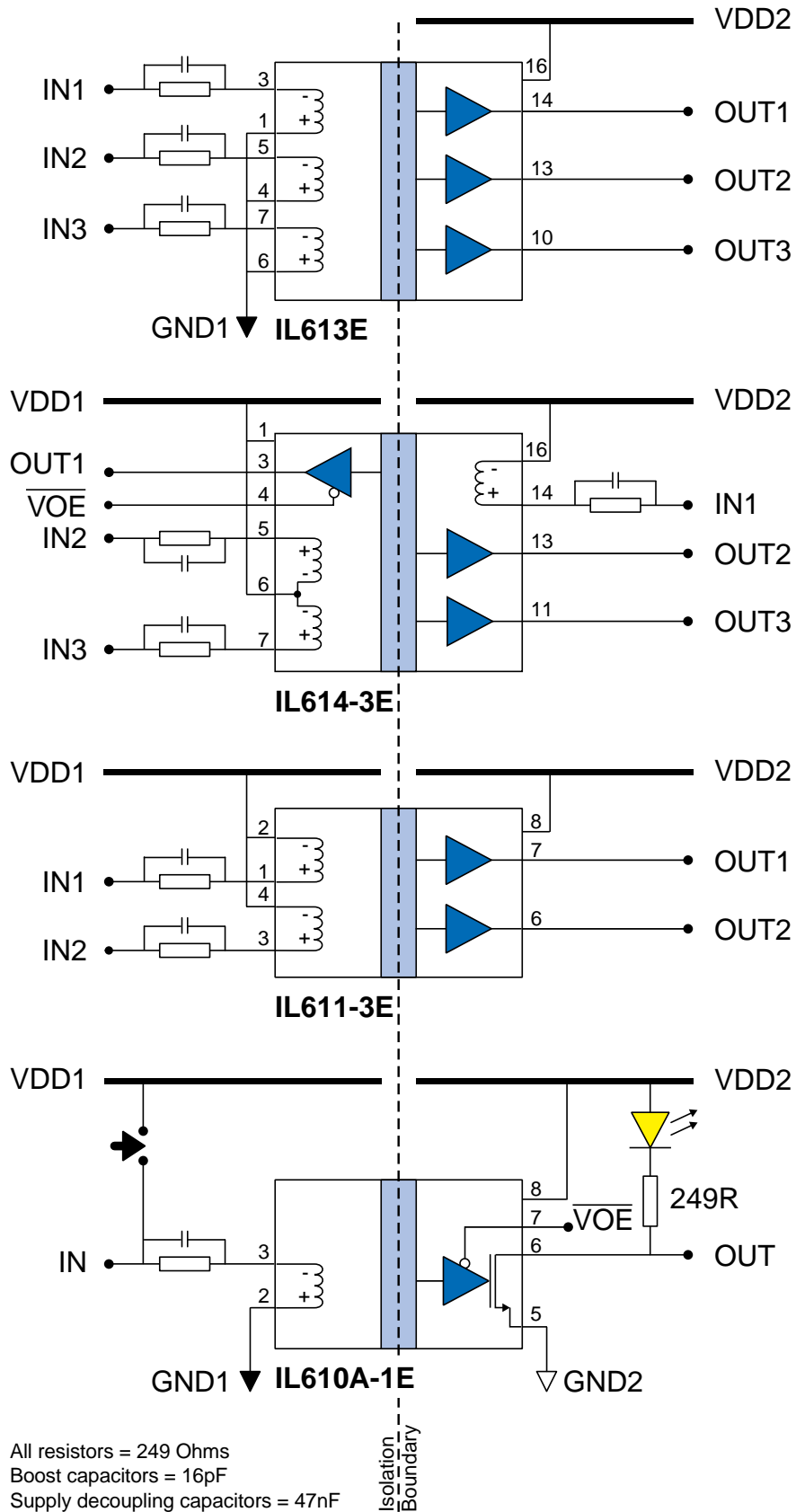
## **IL600-Series Specification Highlights**

- Up to 100 Mbps Data Rate
- Wide Input Voltage Range
- Open Drain or CMOS Outputs
- Fail-Safe Output
- 3.3 V or 5 V Power Supply
- No Input-Side Power Supply Required
- 100 ps Pulse Jitter
- Low Power Dissipation
- Low EMC Footprint
- 2.5 kVrms Isolation (1 min.)
- 25,000 Year Barrier Life
- UL1577 and IEC61010 Approved
- MSOP, SOIC, and PDIP Packages

# Evaluation Board Layout



# Evaluation Board Schematic

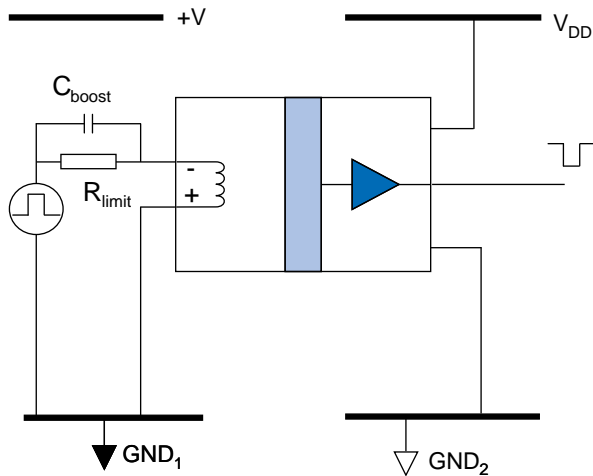


# Device Operation

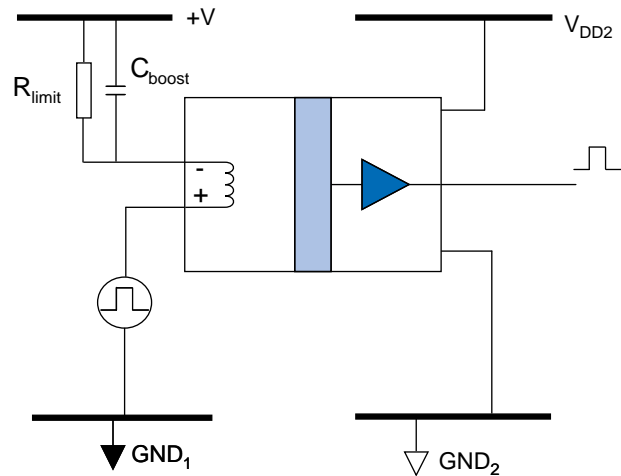
IL600-Series Isolators are current mode devices. Changes in current flow into the input coil drive output logic state changes.

The output is high with no signal present. Current flow from In- to In+ switches the output low. The worst-case logic low threshold current is 5 mA. An input current of at least 8 mA ensures fail-safe operation, meaning the output powers up in the correct state. The absolute maximum coil current is 25 mA.

The evaluation board has examples of inputs configured as inverting and non-inverting:



**Inverting Configuration**

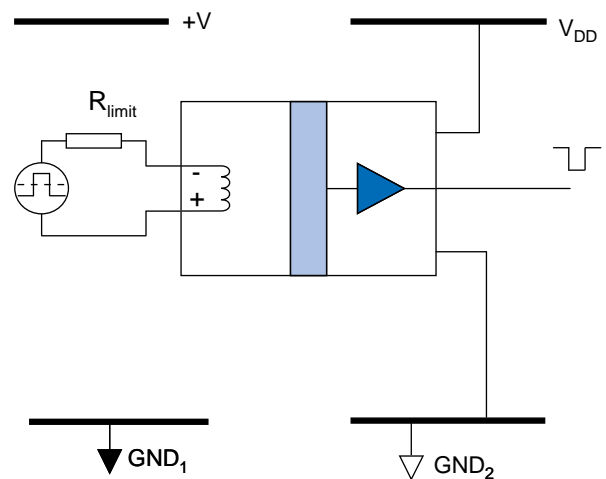


**Non-inverting Configuration**

For single-ended operation (that is, the coil current does not reverse), a boost capacitor in parallel with the current-limiting resistor is used to induce bidirectional coil current. For standard logic signals with rise times less than 10 ns, a 16 pF boost capacitor is recommended. The capacitor should be larger for slower rise time inputs.

The isolators can also be used with differential inputs as shown in the figure at right. No boost capacitor is needed if the coil current reverses in this configuration. Unlike optocouplers, the input current can be negative without reverse bias protection.

There is no limit to the input voltage as long as the input current is limited.

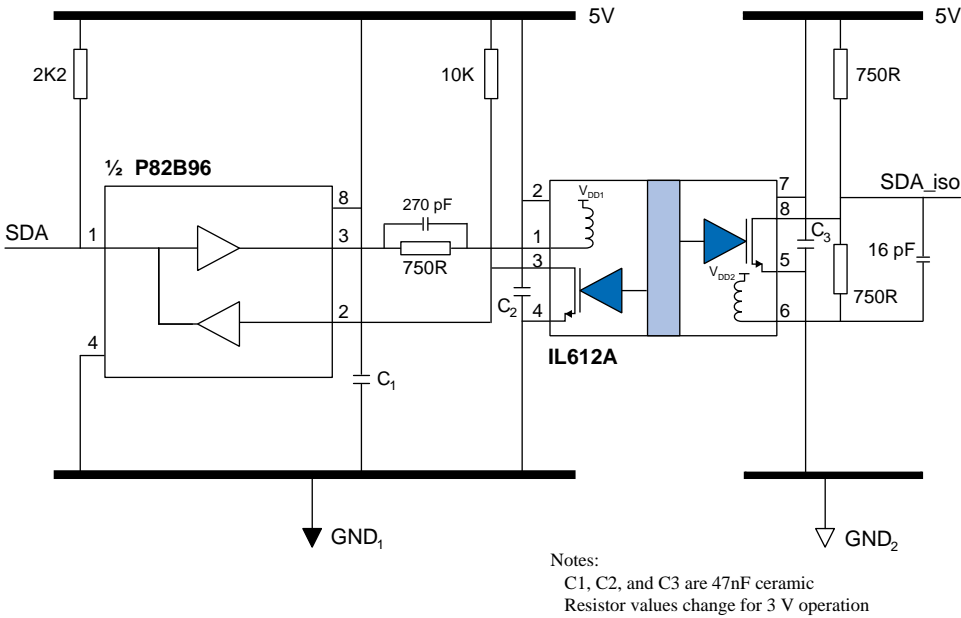
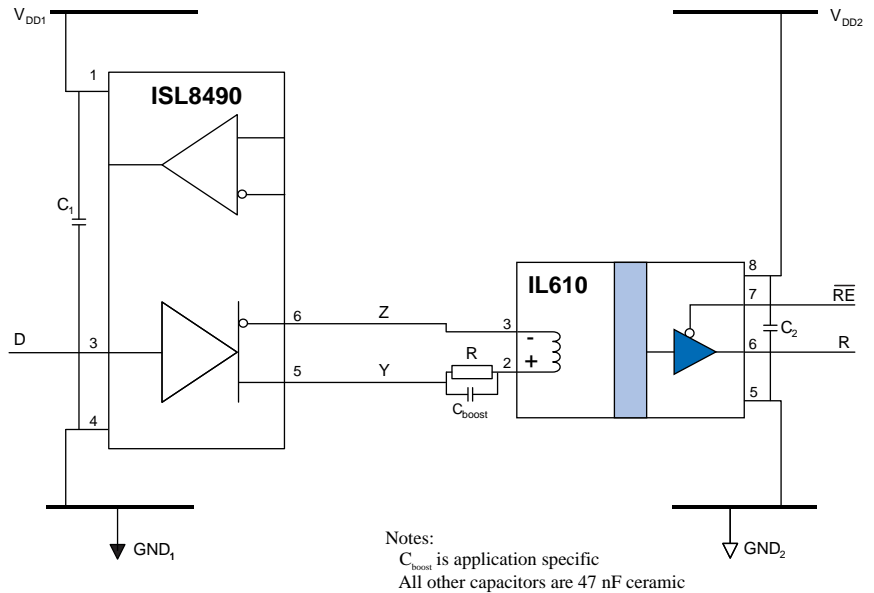


**Differential Configuration**

# Illustrative Applications

## Simple RS-485 Receiver

An IL610 can be used as a simple isolated RS-485/RS-422 receiver. Cabling is simplified by eliminating the need to power the receiving board input side. No current-limiting resistor or capacitor is needed for a single receiver because it draws less than the driver maximum current. Termination resistors are usually unnecessary because the 85  $\Omega$  typical coil resistance is similar to cable impedances.



## Isolated I<sup>2</sup>C Using IL612A

This circuit provides bidirectional isolation of I<sup>2</sup>C bus signals with no restrictions on data rate and none of the I<sup>2</sup>C bus latch-up problems common with other isolation circuits.

The SDA section is shown here; the SCL section is similar, and uses the other half of the P82B96.

Visit [www.IsoLoop.com](http://www.IsoLoop.com) for more illustrative IsoLoop Isolator applications.

# IL600-Series Isolators

## Award-Winning Flexibility

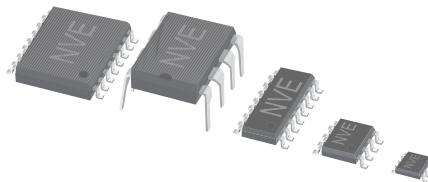
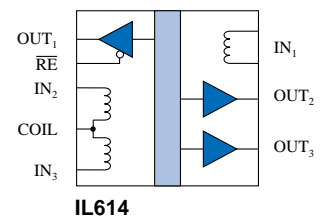
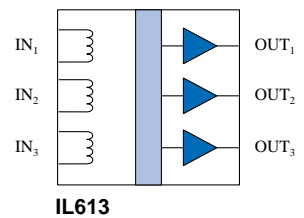
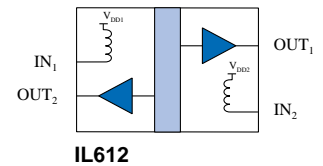
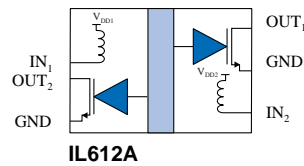
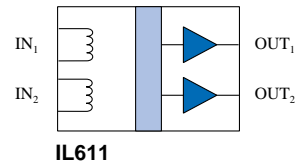
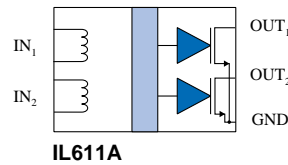
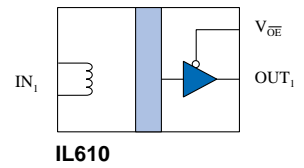
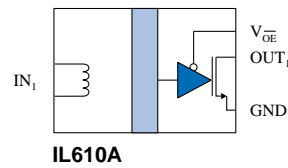
Award-winning IL600 and IL600A Series Isolators provide unique passive inputs. The IL600-Series has CMOS outputs and the IL600A-Series has open-drain outputs.

Unlike other isolators, the IL600 and IL600A-Series can be configured for inverting or non-inverting inputs.

IL600 and IL600A-Series Isolators are available in PDIP, SOIC, and unique MSOP packages. Parts are also available as bare die for chip-on-board assembly.

## IL600-Series Applications

IsoLoop Isolators are faster, more reliable, and simpler than optocouplers. Popular IL600-Series Isolator applications include optocoupler replacements, differential line receivers, SPI interfaces, and space-critical applications.



Parameter	Min.	Typ.	Max.	Units
Data Rate (A-Series)	100 (10)			Mbps
Pulse Width Distortion		3	5	ns
Propagation Delay		8	15	ns
Propagation Delay Skew		4	6	ns
Pulse Jitter			100	ps
Transient Immunity	15	20		kV/ $\mu$ s
Temperature Range	-40		+85	$^{\circ}$ C

### **Limited Warranty and Liability**

Information in this document is believed to be accurate and reliable. However, NVE does not give any representations or warranties, expressed or implied, as to the accuracy or completeness of such information and shall have no liability for the consequences of use of such information. In no event shall NVE be liable for any indirect, incidental, punitive, special or consequential damages (including, without limitation, lost profits, lost savings, business interruption, costs related to the removal or replacement of any products or rework charges) whether or not such damages are based on tort (including negligence), warranty, breach of contract or any other legal theory.

### **Right to Make Changes**

NVE reserves the right to make changes to information published in this document including, without limitation, specifications and product descriptions at any time and without notice.

### **Use in Life-Critical or Safety-Critical Applications**

Unless NVE and a customer explicitly agree otherwise in writing, NVE products are not designed, authorized or warranted to be suitable for use in life support, life-critical or safety-critical devices or equipment. NVE accepts no liability for inclusion or use of NVE products in such applications and such inclusion or use is at the customer's own risk. Should the customer use NVE products for such application whether authorized by NVE or not, the customer shall indemnify and hold NVE harmless against all claims and damages.

### **Applications**

Applications described in this document are illustrative only. NVE makes no representation or warranty that such applications will be suitable for the specified use without further testing or modification. Customers are responsible for the design and operation of their applications and products using NVE products, and NVE accepts no liability for any assistance with applications or customer product design. It is customer's sole responsibility to determine whether the NVE product is suitable and fit for the customer's applications and products planned, as well as for the planned application and use of customer's third party customers. Customers should provide appropriate design and operating safeguards to minimize the risks associated with their applications and products. NVE does not accept any liability related to any default, damage, costs or problem which is based on any weakness or default in the customer's applications or products, or the application or use by customer's third party customers. The customer is responsible for all necessary testing for the customer's applications and products using NVE products in order to avoid a default of the applications and the products or of the application or use by customer's third party customers. NVE accepts no liability in this respect.

## **An ISO 9001 Certified Company**

NVE Corporation  
11409 Valley View Road  
Eden Prairie, MN 55344-3617

©NVE Corporation

All rights are reserved. Reproduction in whole or in part is prohibited without the prior written consent of the copyright owner.

Manual No.: ISB-CB-006

March 2012