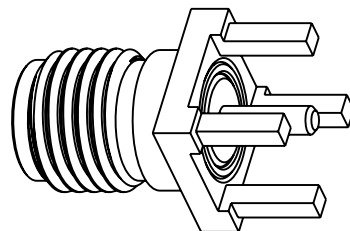


NOTES:

1. MATERIALS AND FINISHES:  
 BODY - BRASS, GOLD PLATING  
 CONTACT - BERYLLIUM COPPER, GOLD PLATING  
 INSULATOR - PTFE, NATURAL

2. ELECTRICAL:  
 A. IMPEDANCE: 50OHM  
 B. FREQUENCY RANGE: DC-18GHz  
 C. DIELECTRIC WITHSTANDING VOTAGE :1000VRMS,MIN.

3. MECHANICAL:  
 A. DURABILITY: 500 CYCLES MIN.  
 B. TEMPERATURE RANGE: -65°C TO +165°C

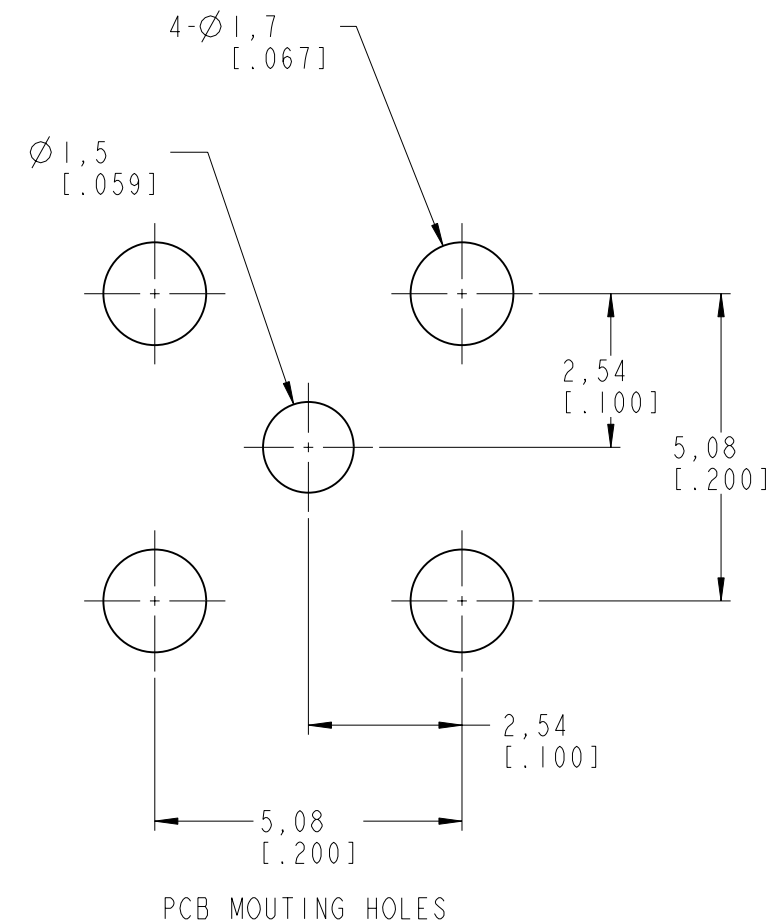
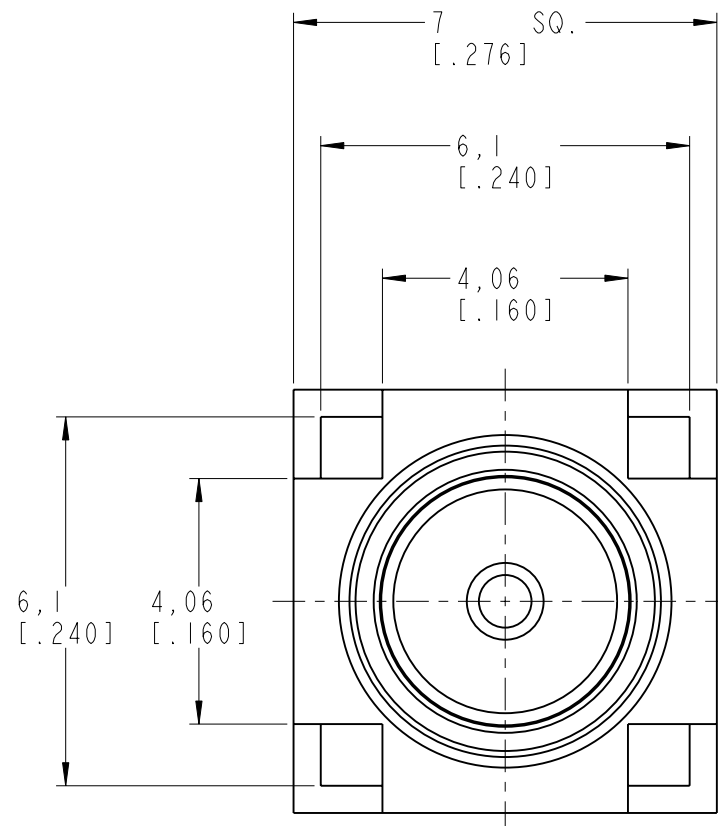
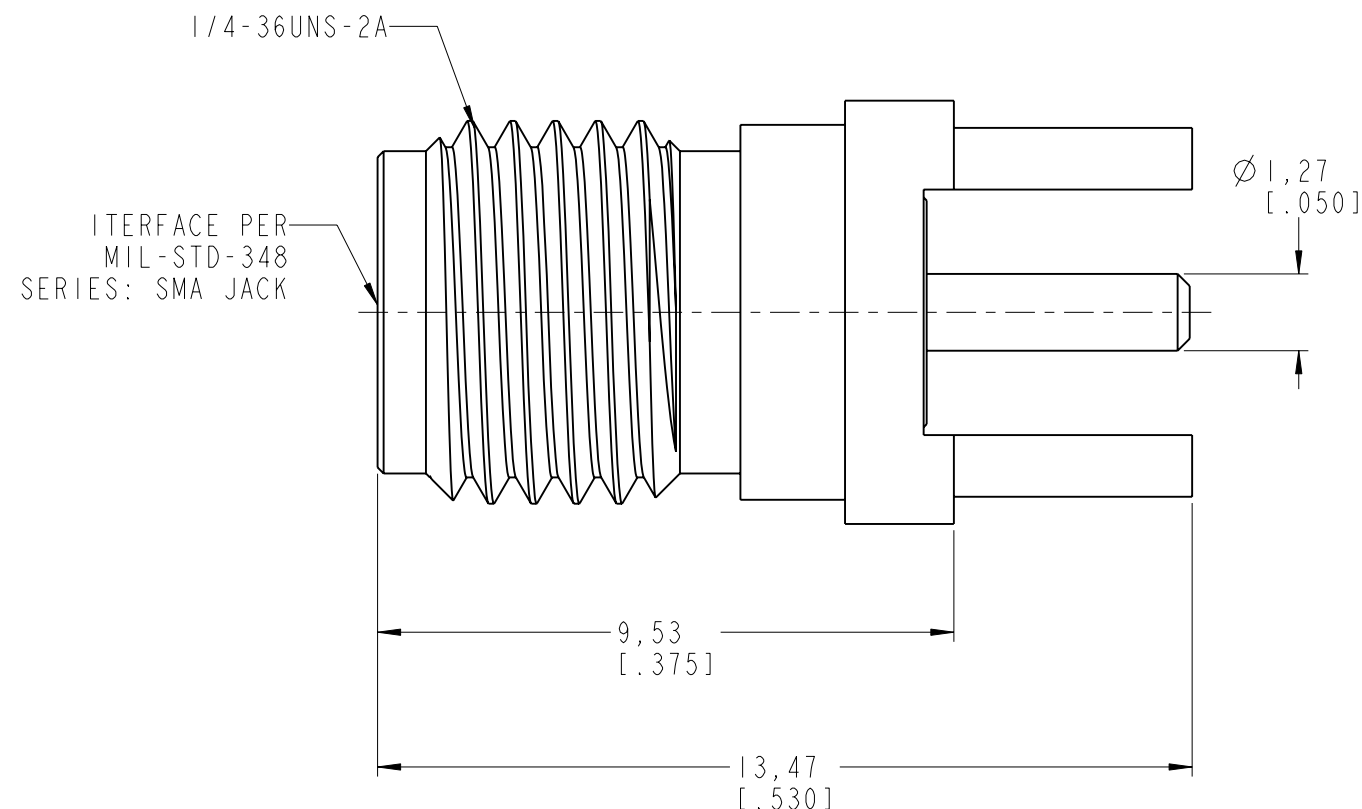


SCALE 3.000

THIRD ANGLE PROJ.

REVISIONS

REV	DESCRIPTION	DATE	ECO	APPR
B	NO.5 SMA7700-5-C WAS SMA7700-5-B\RD-DM04091601W	16-Sep-14	--	SH
C	ADD COD DRAWING\RD-DMI4101701J9	10-Nov-14	50226	SH
D	SYNC, ADD INTERFACE DIMENSIONS\N/A	20-Oct-15	50665	SH



**CUSTOMER OUTLINE DRAWING**

ALL OTHER SHEETS ARE FOR INTERNAL USE ONLY

UNLESS OTHERWISE SPECIFIED, DIMENSIONS ARE IN METRIC AND TOLERANCES ARE: <0.5mm ±0.05mm    0.5 - 6mm ±0.1mm    6 - 30mm ±0.2mm    30 - 120mm ±0.3mm    ANGLES ±1°	MATERIAL	DRAWN	DATE	TITLE SMA P.C.B. JACK		Amphenol RF www.amphenolrf.com
	-	M. ZHANG	19-Oct-15			
NOTICE - These drawings, specifications, or other data (1) are, and remain the property of Amphenol corp. (2) must be returned upon request; and (3) are confidential and not to be disclosed to any person other than those to whom they are given by Amphenol Corp. the furnishing of these drawings, specifications, or other data by Amphenol Corp., or to any other person to anyone for any purpose is not to be regarded by implication or otherwise in any manner licensing, granting rights to permitting such holder or any other person to manufacture, use or sell any product, process or design, patented or otherwise, that may in any way be related to or disclosed by said drawings, specifications, or other data.	REFERENCE AND CONFIGURATION LEVEL: In Work	ENGINEER	DATE	SCALE: 8.0:1.0    SHEET 2 OF 2		DRAWING NO. SMA6251A1-3GT50G-50
	FINISH	S. HSIEH	19-Oct-15	DWG SIZE B    REV D		ITEM NO. 116251AAA01AL5F
			CAD FILE			